

CONTENTS

PAGE	TITLE
1	COVER
2	CONTENS
2	RECORD OF REVISIONS
3	GENERAL DESCRIPTION
3	FEATURES
4	FUNCTION LAYOUT
9	CONTROLLER DIMENSIONS
11	KEY BOARD SYSTEM SCHEMATIC
11	IR BOARD SYSTEM SCHEMATIC
11	OPERATION REQUIREMENT

RECORD OF REVISIONS

VERSION NO	DATE	PAGE	DESCRIPTION

1. GENERAL DESCRIPTION

6M16V2.0-C is a multi-purpose LCD controller, it is suitable for Asian market. It is designed to support dual/single LVDS which more than 19 inch LCD panel.

The main feature of 6M16V2.0-C can support VGA, HDMI, YPBPR, AV1, AV2, S-VIDEO, TV signal input. It can support AV output.

It can support USB function (Option).

2. FEATURES

Below you will find the detailed feature

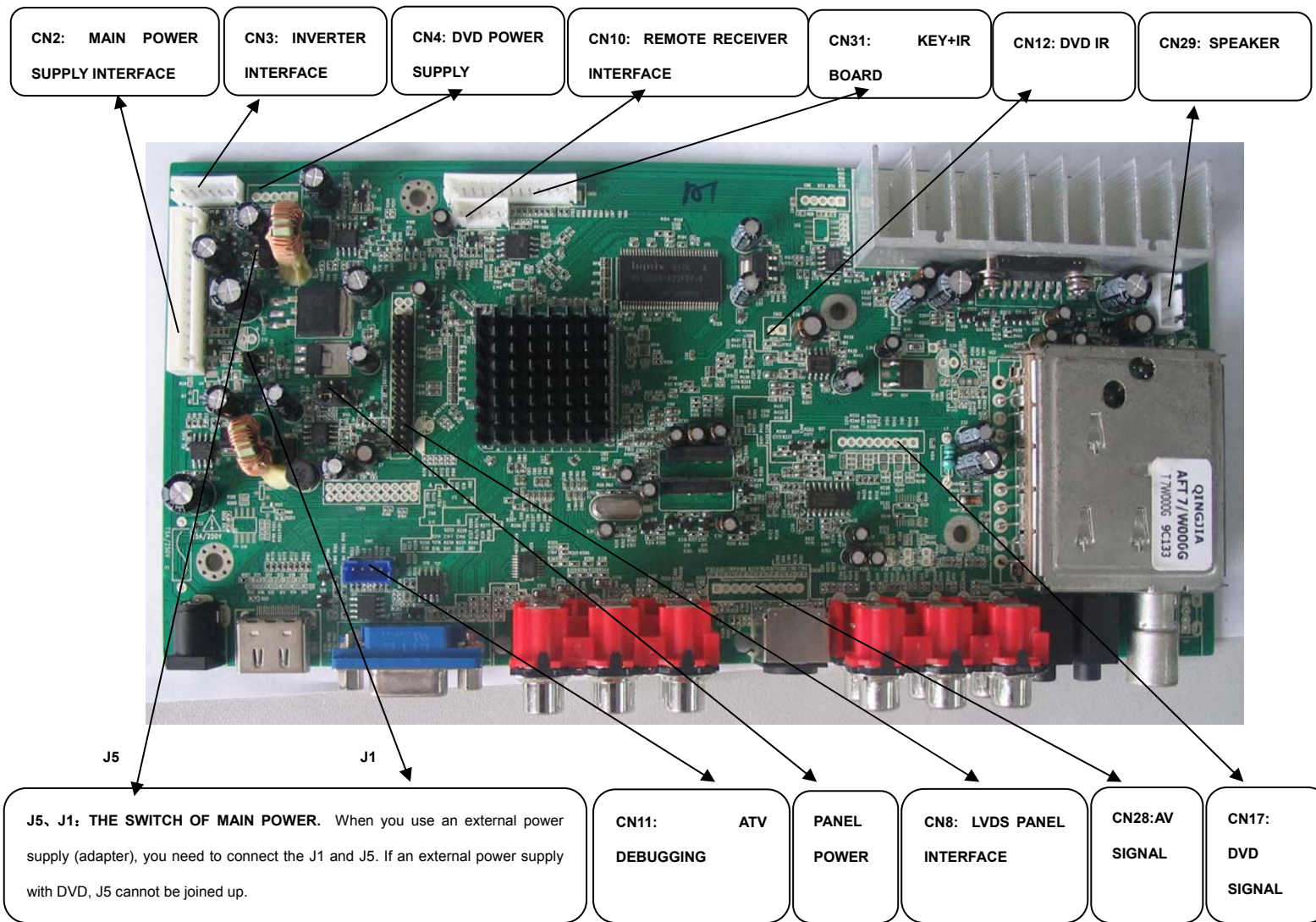
Video Input	TV	VIDEO SYSTEM		PAL、SECAM
		SOUND SYSTEM		BG ,DK ,I,L, L'
		RECEIVE CHANNEL		120
	S-Video	S-Y:1.0V Vp-p +/-5% S-C:0.3Vp-p, +/-5%		
	CVBS	1.0Vp-p +/-5%		
	YPbPr/YCbCr	480i、480p、576i、576p、720p、1080i,1080P		
	PC-RGB	Format	Up to 1920*1080@60HZ	
		Color	16bit, 24bit, 32bit	
	HDMI	480i、480p、576i、576p、720p、1080i,1080p		
SCART	YES			
Expansion function	USB	YES		
	Inbuilt DVD	YES		
Audio input	S-Video/CVBS	Left and right audio input		
	PC-RGB	Pc: Earphone input		
Power	Power Requirement	12V,5V		
	To panel	3.3V,5V,12V		
	Manage	Low power consumable mode: standby<1w		
OSD Language	English,(French ,Spanish ,Italian, German, Portuguese, Dutch etc)(Option)			
Key Functions	CH-,CH+,MENU,VOL-,VOL+,PC/AV,ON/OFF (Control by remote control)			
Audio Output	2*5w (8Ω)			
Comb Filter	3D	De-interlace	3D	
Weak signal enhancement	NO			
Noise reduction	YES			
PIP/POP	YES			
EPG	NO			
NICAM/A2, TELETEXT	YES			
Panel Resolutions	Up to1920*1080@60HZ			
Terminals	Input	TV Input	1 IEC 75 Ω	
		PC-RGB Input	1D-SUB 15PIN terminal blue color	

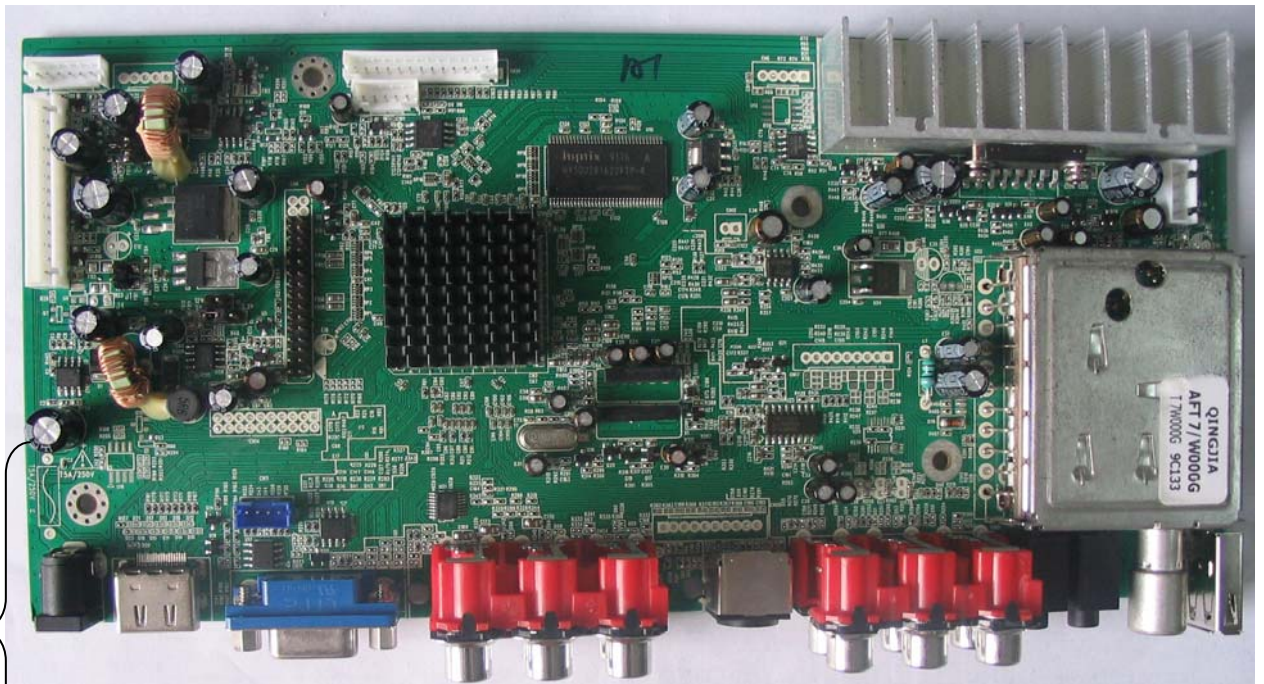
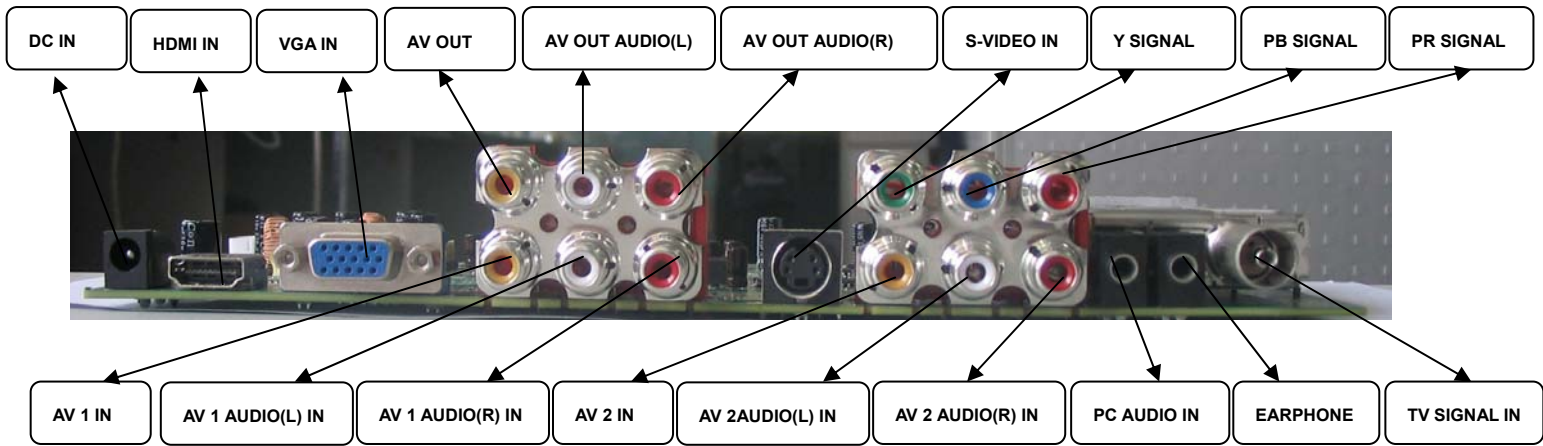
	S-Video Input	1S-Video terminal black color
	CVBS Input	2RCA terminal yellow color
	YPbPr Input	3RCA terminal green color, blue color and red color
	HDMI Input	1HDMI terminal
	SCART	/
	CVBS Audio Input	2*2RCA terminal white color, red color
	YPbPr Audio Input	2RCA terminal white color, red color
	PC-RGB Audio Input	1 earphone terminal black color
Output	To Panel	LVDS 30PIN/2.0 jack

3. FUNCTION LAYOUT

PICTURE OF LCD CONTROLLER

图片仅供参考,以实物为准!





USB IN

INTERFACE DEFINITION

Below ,please see the symbol and description from left to right pin
CN2 (13PIN/2.54) MAIN POWER SUPPLY INTERFACE

NO	SYMBOL	DESCRIPTION
1	12VIN	+12V DC Power supply
2	12VIN	

3	GND	Ground
4	GND	
5	GND	
6	5V	+5V DC Power supply
7	5V	
8	5VS	Power standby
9	ON/OFF	Power switch control
10	5V	+5V DC Power supply
11	5V	
12	GND	Ground
13	GND	

CN3(6PIN/2.0) INVERTER INTERFACE

NO	SYMBOL	DESCRIPTION
1	GND	Ground
2	GND	
3	ADJ	Brightness adjustment
4	BKL	Black-light ON/OFF control
5	12V	+12V DC Power supply
6	12V	

CN4(5PIN/2.0) DVD POWER SUPPLY

NO	SYMBOL	DESCRIPTION
1	12V	12V power supply
2	GND	Ground
3	GND	
4	5V_DVD	DVD 5V power supply
5	5V_DVD	

CN8(2*15PIN/2.0) LVDS PANEL INTERFACE

NO	SYMBOL	DESCRIPTION
1	VDD	Power for panel
2	CT	mode pin for Panel
3	VDD	Power for panel
4	GND	Ground
5	GND	
6	GND	
7	RX00-	LVDS 0DD 0- Signal
8	RX00+	LVDS 0DD 0+ Signal
9	RX01-	LVDS 0DD 1- Signal
10	RX01+	LVDS 0DD 1+ Signal
11	RX02-	LVDS 0DD 2- Signal
12	RX02+	LVDS 0DD 2+ Signal

13	GND	Ground
14	GND	
15	RX0C-	LVDS 0DD Clock- Signal
16	RX0C+	LVDS 0DD Clock+ Signal
17	RX03-	LVDS 0DD 3- Signal
18	RX03+	LVDS 0DD 3+ Signal
19	RXE0-	LVDS EVEN 0- Signal
20	RXE0+	LVDS EVEN 0+ Signal
21	RXE1-	LVDS EVEN 1- Signal
22	RXE1+	LVDS EVEN 1+ Signal
23	RXE2-	LVDS EVEN 2- Signal
24	RXE2+	LVDS EVEN 2+ Signal
25	GND	Ground
26	GND	
27	RXEC-	LVDS EVEN Clock- Signal
28	RXEC+	LVDS EVEN Clock+ Signal
29	RXE3-	LVDS EVEN 3- Signal
30	RXE3+	LVDS EVEN 3+ Signal

Note: According to the panel TIMODE

CN10(5PIN/2.0) REMOTE RECEIVER INTERFACE

NO	SYMBOL	DESCRIPTION
1	GND	Ground
2	IR_IN	Remote receiver
3	LED_G	Green indicator
4	LED_R	Red indicator
5	IR_VCC	IR power supply

CN31(14PIN/2.0)KEY+IR BOARD

NO	SYMBOL	DESCRIPTION
1	NC	NC
2	CH-	CH+ key
3	CH+	CH- key
4	MENU	MENU key
5	SOURCE	SOURCE key
6	VOL-	VOL- key
7	VOL+	VOL+ key
8	GND	Ground
9	LED_G	Green indicator
10	LED_R	Red indicator
11	POWER	ON/OFF key
12	GND	Ground

13	IR_IN	Infrared receiver
14	IR_VCC	Power supply

CN12(2PIN/2.0) DVD IR

NO	SYMBOL	DESCRIPTION
1	GND	Ground
2	DVD_IR	DVD IR

CN17 (9PIN/2.0) DVD Signal

NO	SYMBOL	DESCRIPTION
1	DVD_Y	DVD Y signal
2	GND	Ground
3	DVD_PB	DVD PB signal
4	GND	Ground
5	DVD_PR	DVD PR signal
6	GND	Ground
7	DVD_R	DVD audio right
8	GND	Ground
9	DVD_L	DVD audio left

CN29(4PIN/2.54) SPEAKER

NO	SYMBOL	DESCRIPTION
1	R+	Right audio channel out
2	R-	Negative Left audio channel out
3	L-	Negative Right audio channel out
4	L+	Left audio channel out

CN28(10PIN/2.0)AV SIGNAL

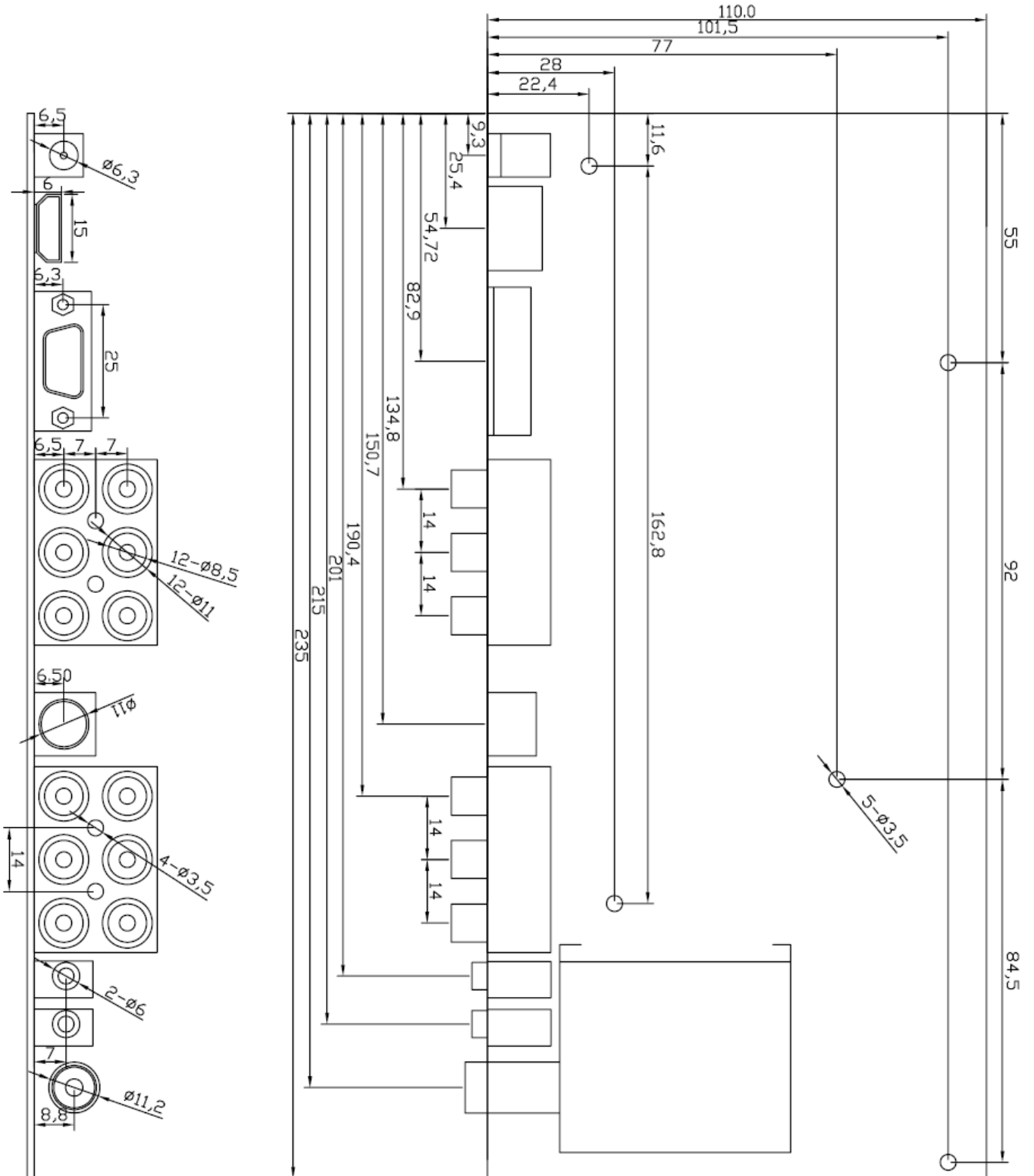
NO	SYMBOL	DESCRIPTION
1	AV_IN	AV signal in
2	GND	Ground
3	AV-L	AV (L) signal in
4	AV-R	AV (R) signal in
5	GND	Ground
6	AV_OUT	AV signal out
7	AV_OUT_L	AV (L) signal out
8	AV_OUT_R	AV (R) signal out
9	GND	Ground
10	SAR	ADC

CN11(4PIN/2.0)ATV DEBUGGING

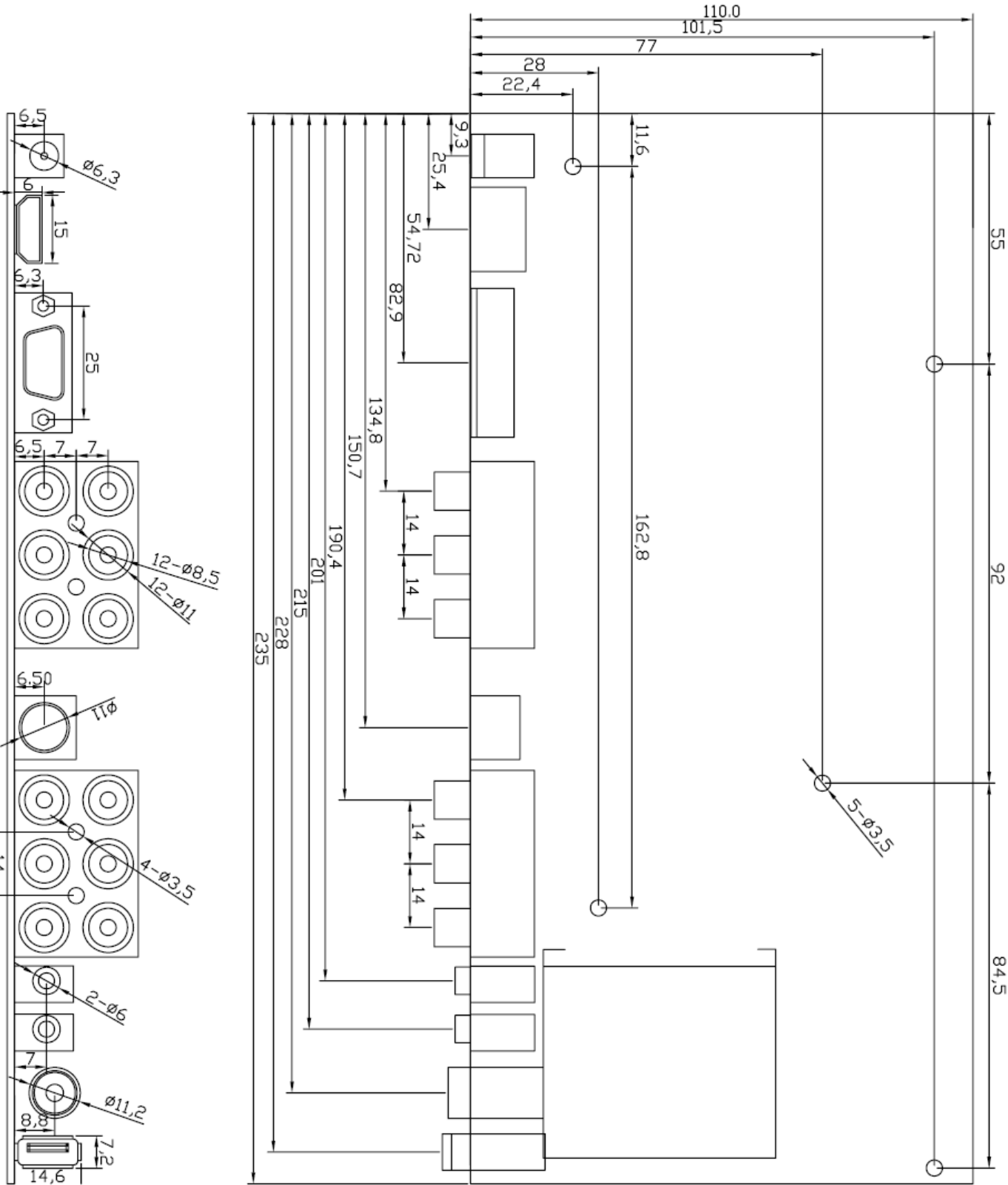
NO	SYMBOL	DESCRIPTION
1	GND	Ground

2	TXDO	Transmit data
3	RXDO	Receive data
4	5VS	+5V DC Power supply

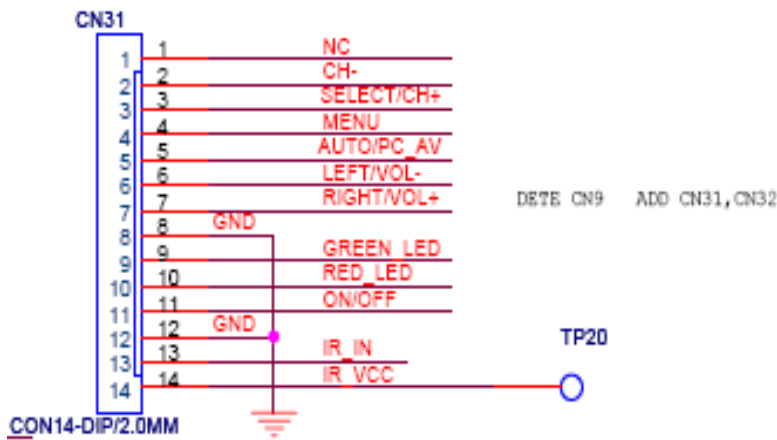
4. CONTROLLER DIMENSIONS



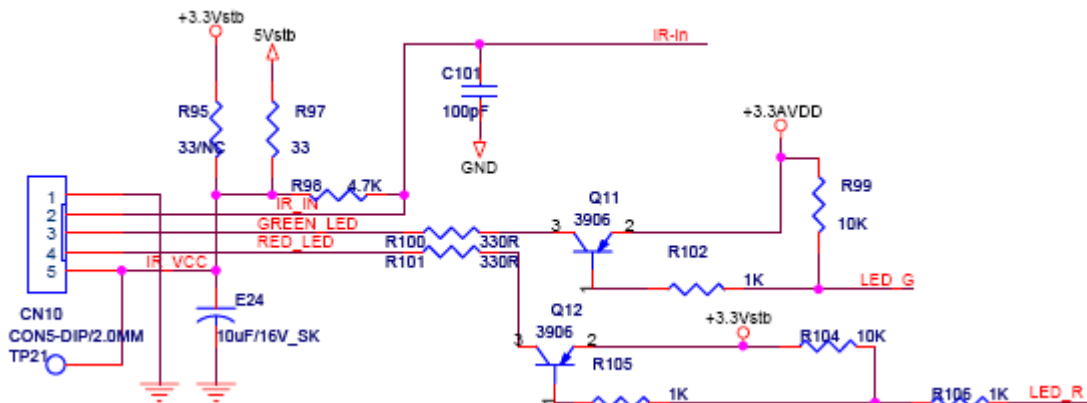
SUPPORT USB



5. KEY BOARD SYSTEM SCHEMATIC



6. IR BOARD SYSTEM SCHEMATIC



7. OPERATION REQUIREMENT

- Do not pressed and distorted.
- Keep away from static and water.
- Relative humidity : $\leq 80\%$
- Storage temperature: $-10\sim+60^{\circ}\text{C}$
- Operation temperature: $0\sim+40^{\circ}\text{C}$