

SFAV50-XS

Contents :

General Description2

Features2

Applications2

Driving Board Function Block3

Application Schematic Diagrams4

Electronic characteristics5

Connector Pin Definition6

Outline Dimension.....7

General Description :

This Color TFT LCD Driving Board apply to drive PVI's PA050XS1~9 Color TFT LCD Panel , The Driving Board provides all the Needs to convert Composite video signal to the proper interface of LCD Panel .It can accept PAL and NTSC Video signal input .

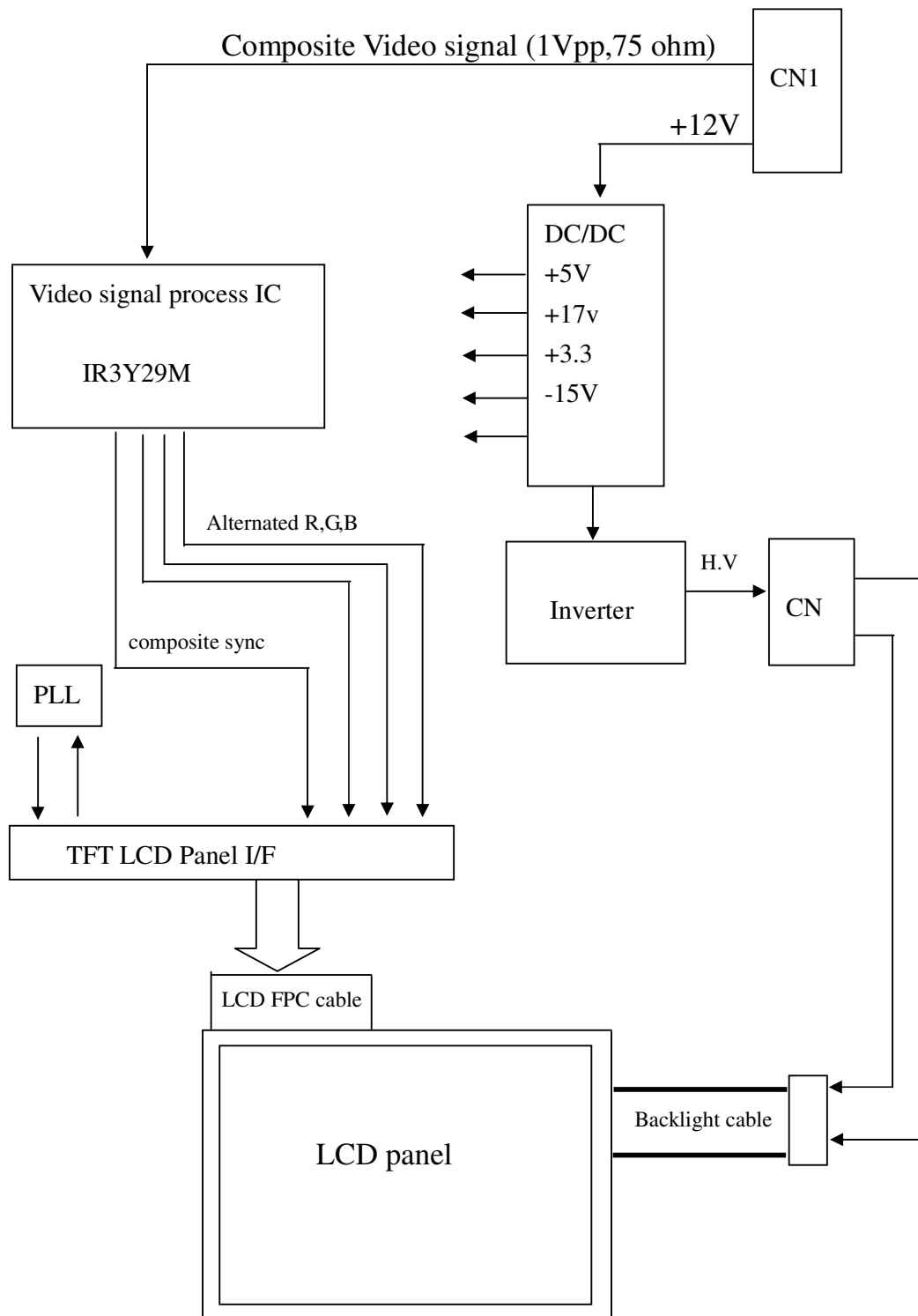
Features :

- Fit PRIME VIEW PA050XS1 TFT LCD
- Ultra Compact
- DC/DC DC/AC Video Decoder All In One
- PAL or NTSC Video input
- Up/Down Display Reverse
- Left/Right Display Reverse
- Single Operation Voltage 12V

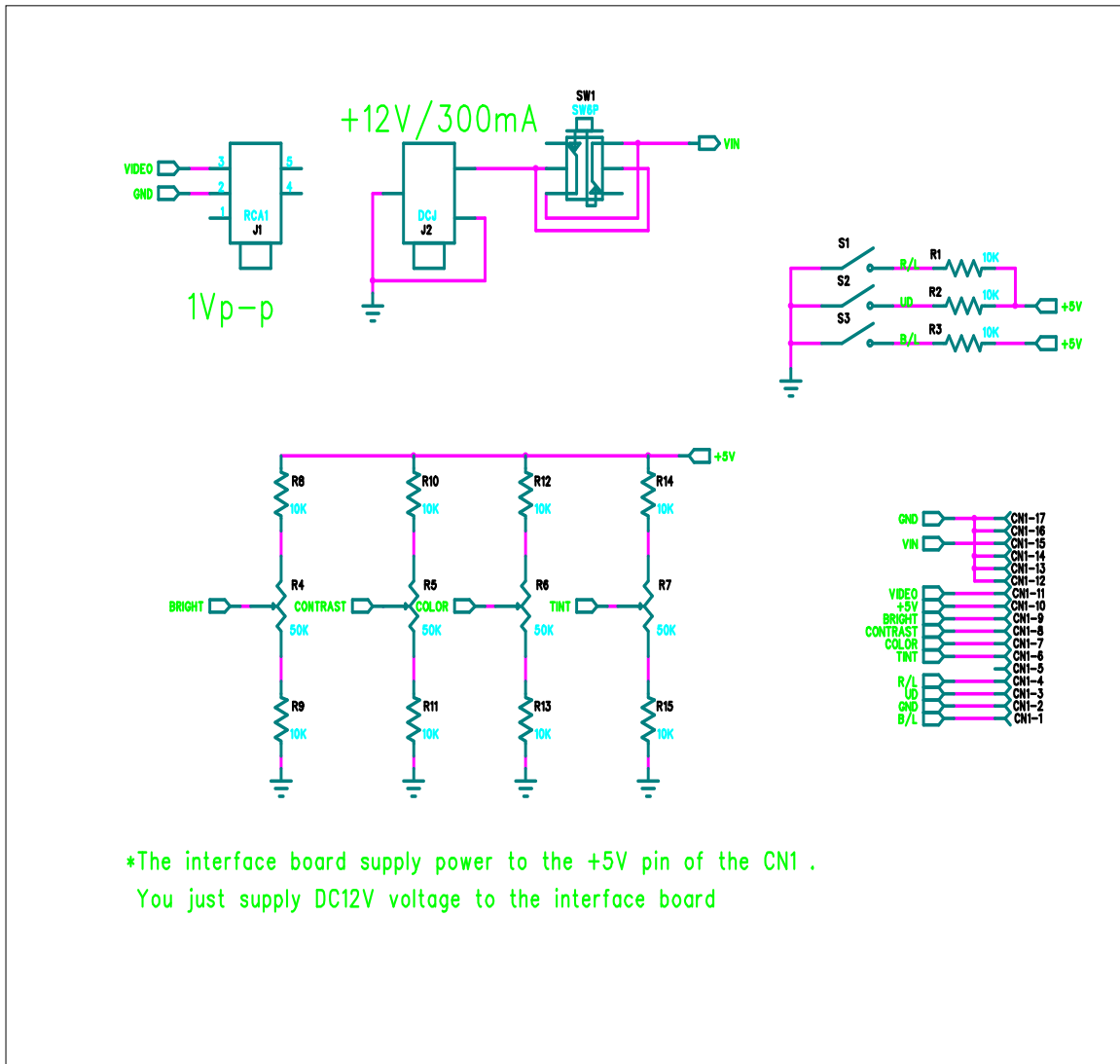
Applications :

- Security
- Video Game
- Door Phone
- Video Phone
- Portable TV
- Instrument Display

Driving Board Function Block :



Application Schematic Diagrams



Electronic Characteristics

Pin	Symbol	I/O	Conditions	Min	Typ	Max	Unit
5	Video	I	PAL or NTSC		1		V
1	V in I in P in	I	DC (+) DC (+12V)	10	12 280 3.4	14	V mA W
6	Vo Io	O	DC (+)		5 2		V mA
7	Bright	I	DC (+)	1.5	2	2.5	V
8	Contrast	I	DC (+)	1.2	1.8	2.4	V
9	Color	I	DC (+)	2.0	2.9	3.5	V
10	Tint	I	DC (+)	3.0	3.15	3.3	V

Connector Pin Definition

J2 pin definition

No.	Pin Name	I/O	Pin description	Remark
1	Vin	I	+12V power input	
2	GND	I	Power ground	
3	GND	I	Power ground	
4	GND	I	Video signal ground	
5	Video	I	Composite video signal input	
6	+5V	O	For pin7/8/9/10 control purpose	
7	Brightness	I	Brightness control voltage input	
8	Contrast	I	Contrast control voltage input	
9	Color	I	Color control voltage input	
10	Tint	I	Tint control voltage input	
11	N.C.	NC	No connection	Only for NTSC
12	R/L	I	Picture left/right inverse control	NOTE 1
13	U/D	I	Picture up/down inverse control	NOTE 2
14	DIMMER	I	Dimmer (Default Low)	

J3 pin definition

No.	Pin Name	I/O	Pin description	Remark
1	Vin	I	+12V power input	
2	GND	I	Power ground	
3	GND	I	Power ground	
4	GND	I	Video signal ground	
5	Video	I	Composite video signal input	
6	+5V	O	For pin7/8/9/10 control purpose	
7	Brightness	I	Brightness control voltage input	
8	Contrast	I	Contrast control voltage input	
9	Color	I	Color control voltage input	

(1) CNN1 pin definition

No.	Pin Name	I/O		Remark
1	HV	O	Lamp driving terminal (high voltage)	
2	LV	O	Lamp driving terminal (low voltage)	

(2) J3 pin definition

Meet PA050XS1 input definition

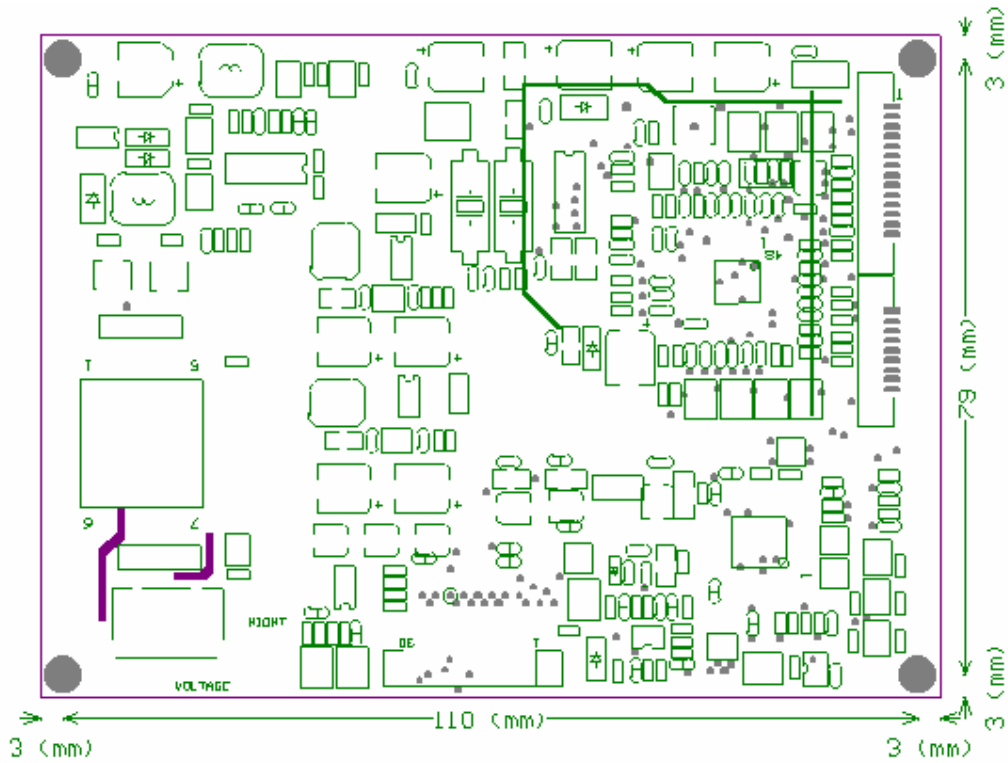
NOTE 1 :

R/L = Hi(+5V) for shift right , Low(GND) for shift left

NOTE 2 :

U/D = Hi(+5V) for down , Low(GND) for up

Outline Dimension



Description:

Outline: 116.0*85.0*12mm

Top_Layer High (Max): 8.5mm

Board thickness: 1.6mm

Bottom_Layer High (Max): 1.5mm