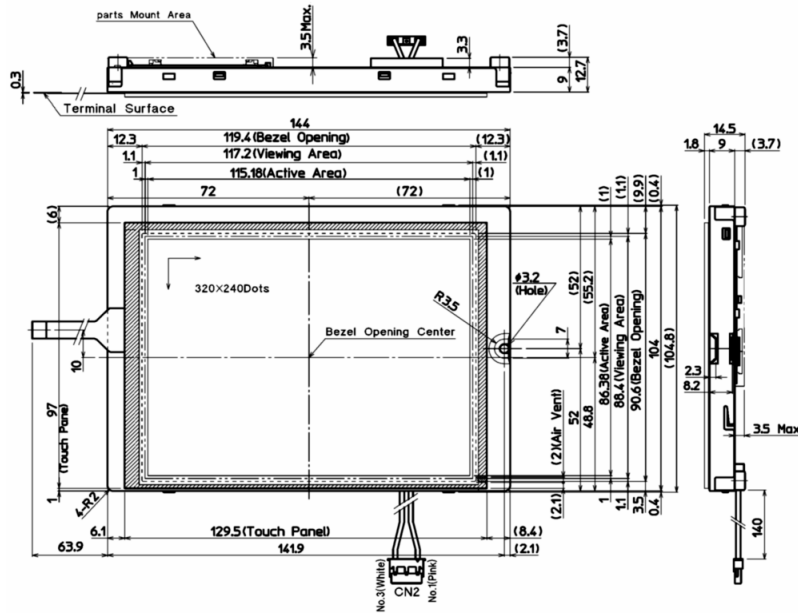


5.7" Passive Matrix Monochrome LCD Module
KG057QV1CB-G00



Features

- With Touch Panel
- Symmetrical Design (Horizontal)
- DC-DC Converter Included
- Long Life CFL 58,000(h)

Applications

- Display for Industrial Machine
- Measuring Instrument, Chart Recorder, Scale
- POS, ATM, Bank Terminal
- Musical Instrument, Sewing Machine
- Home-use FAX

Specification

ITEM	SPECIFICATION	UNIT
Dot Format	320×240	dot
Dot Pitch	0.36×0.36	mm
Outline Dimensions	144.0×104.8×14.5	mm
Mass	220	g
Contrast Ratio	10:1	—
Brightness	180 (IL=4.0mA)	cd/m ²
Response Time	340	ms
Viewing Angle (V/H)	60/90 (CR≥2)	deg.
Power Consumption	137.0 (VDD=3.3V)	mW
	142.5 (VDD=5.0V) (LCD)	
	1.32 (Backlight)	W
Backlight	CFL (Single Tube)	—
Duty	1/240	—

ATTENTION : Specification subject to change without notice.
 Please check the latest version of the product specification.

KYOCERA CORPORATION
 LCD Division