



( ) Preliminary Specification  
( V ) Final Specification

<b>Module</b>	<b>27" Color TFT-LCD</b>
<b>Model Name</b>	<b>M270HW01 V0</b>

<b>Customer</b>	<b>Date</b>
_____	_____
<b>Approved by</b>	
_____	_____
<p>Note: This Specification is subject to change without notice.</p>	

<b>Approved by</b>	<b>Date</b>
<i>Sean Chen</i>	2009/09/15
<b>Prepared by</b>	
<i>Boris Chu</i>	2009/09/15
<p>Desktop Display Business Group / AU Optronics corporation</p>	

## Contents

<b>1.0 Handling Precautions .....</b>	<b>5</b>
<b>2.0 General Description.....</b>	<b>6</b>
2.1 Display Characteristics.....	6
2.2 Optical Characteristics .....	7
<b>3.0 Functional Block Diagram.....</b>	<b>11</b>
<b>4.0 Absolute Maximum Ratings .....</b>	<b>12</b>
4.1 TFT LCD Module.....	12
4.2 Backlight Unit .....	12
4.3 Absolute Ratings of Environment.....	12
<b>5.0 Electrical characteristics.....</b>	<b>13</b>
5.1 TFT LCD Module.....	13
5.1.1 Power Specification.....	13
5.1.2 Signal Electrical Characteristics.....	14
<b>6.0 Signal Characteristic .....</b>	<b>17</b>
6.1 Pixel Format Image .....	17
6.2 The input data format.....	17
6.3 Signal Description .....	18
6.4 Timing Characteristics.....	19
6.5 Timing diagram .....	20
6.6 Power ON/OFF Sequence .....	21
<b>7.0 Connector &amp; Pin Assignment .....</b>	<b>22</b>
7.1 TFT LCD Module.....	22
7.1.1 Pin Assignment .....	22
7.2 Backlight Unit .....	23
7.2.1 Signal for Lamp connector.....	23
<b>8.0 Reliability Test.....</b>	<b>24</b>
<b>9.0 Shipping Label .....</b>	<b>25</b>
<b>10.0 Mechanical Characteristics.....</b>	<b>26</b>

## Record of Revision

Version and Date	Page	Old description	New Description	Remark																																																																				
0.1 2009/04/7	All	First Edition for Customer	-																																																																					
0.2 2009/05/07	5、25	Physical Size : 624(W) × 364(H) × 15.9(D) typ	Physical Size : 630(W) × 368.2(H) × 15.9(D) typ	Revised																																																																				
0.3 2009/07/16	5	White Luminance ( Center ) : 300	White Luminance ( Center ) : 400	Revised																																																																				
0.3 2009/07/16	5、25	Physical Size : 624(W) × 364(H) × 15.9(D) typ	Physical Size : 630(W) × 368.2(H) × 16.2(D) typ	Revised																																																																				
0.3 2009/07/16	5	Power Consumption (VDD line + CCFL line) : 33.48W	Power Consumption (VDD line + CCFL line) : 29.5W	Revised																																																																				
0.3 2009/07/16	6	<table border="1"> <tr> <td rowspan="5">Color / Chromaticity Coordinates (CIE)</td> <td>Red x<sub>0</sub></td> <td>0.618<sub>-</sub></td> <td>0.648<sub>-</sub></td> <td>0.678<sub>-</sub></td> </tr> <tr> <td>Red y<sub>0</sub></td> <td>0.309<sub>-</sub></td> <td>0.339<sub>-</sub></td> <td>0.369<sub>-</sub></td> </tr> <tr> <td>Green x<sub>0</sub></td> <td>0.252<sub>-</sub></td> <td>0.282<sub>-</sub></td> <td>0.312<sub>-</sub></td> </tr> <tr> <td>Green y<sub>0</sub></td> <td>0.573<sub>-</sub></td> <td>0.603<sub>-</sub></td> <td>0.633<sub>-</sub></td> </tr> <tr> <td>Blue x<sub>0</sub></td> <td>0.113<sub>-</sub></td> <td>0.143<sub>-</sub></td> <td>0.173<sub>-</sub></td> </tr> <tr> <td>Blue y<sub>0</sub></td> <td>0.040<sub>-</sub></td> <td>0.070<sub>-</sub></td> <td>0.100<sub>-</sub></td> </tr> <tr> <td rowspan="2">Color Coordinates (CIE) White</td> <td>White x<sub>0</sub></td> <td>0.283<sub>-</sub></td> <td>0.313<sub>-</sub></td> <td>0.343<sub>-</sub></td> </tr> <tr> <td>White y<sub>0</sub></td> <td>0.299<sub>-</sub></td> <td>0.329<sub>-</sub></td> <td>0.359<sub>-</sub></td> </tr> </table>	Color / Chromaticity Coordinates (CIE)	Red x <sub>0</sub>	0.618 <sub>-</sub>	0.648 <sub>-</sub>	0.678 <sub>-</sub>	Red y <sub>0</sub>	0.309 <sub>-</sub>	0.339 <sub>-</sub>	0.369 <sub>-</sub>	Green x <sub>0</sub>	0.252 <sub>-</sub>	0.282 <sub>-</sub>	0.312 <sub>-</sub>	Green y <sub>0</sub>	0.573 <sub>-</sub>	0.603 <sub>-</sub>	0.633 <sub>-</sub>	Blue x <sub>0</sub>	0.113 <sub>-</sub>	0.143 <sub>-</sub>	0.173 <sub>-</sub>	Blue y <sub>0</sub>	0.040 <sub>-</sub>	0.070 <sub>-</sub>	0.100 <sub>-</sub>	Color Coordinates (CIE) White	White x <sub>0</sub>	0.283 <sub>-</sub>	0.313 <sub>-</sub>	0.343 <sub>-</sub>	White y <sub>0</sub>	0.299 <sub>-</sub>	0.329 <sub>-</sub>	0.359 <sub>-</sub>	<table border="1"> <tr> <td rowspan="5">Color / Chromaticity Coordinates (CIE)</td> <td>Red x<sub>0</sub></td> <td>0.616<sub>-</sub></td> <td>0.646<sub>-</sub></td> <td>0.676<sub>-</sub></td> </tr> <tr> <td>Red y<sub>0</sub></td> <td>0.308<sub>-</sub></td> <td>0.338<sub>-</sub></td> <td>0.368<sub>-</sub></td> </tr> <tr> <td>Green x<sub>0</sub></td> <td>0.280<sub>-</sub></td> <td>0.290<sub>-</sub></td> <td>0.320<sub>-</sub></td> </tr> <tr> <td>Green y<sub>0</sub></td> <td>0.576<sub>-</sub></td> <td>0.606<sub>-</sub></td> <td>0.636<sub>-</sub></td> </tr> <tr> <td>Blue x<sub>0</sub></td> <td>0.115<sub>-</sub></td> <td>0.145<sub>-</sub></td> <td>0.175<sub>-</sub></td> </tr> <tr> <td>Blue y<sub>0</sub></td> <td>0.041<sub>-</sub></td> <td>0.071<sub>-</sub></td> <td>0.101<sub>-</sub></td> </tr> <tr> <td rowspan="2">Color Coordinates (CIE) White</td> <td>White x<sub>0</sub></td> <td>0.283<sub>-</sub></td> <td>0.313<sub>-</sub></td> <td>0.343<sub>-</sub></td> </tr> <tr> <td>White y<sub>0</sub></td> <td>0.299<sub>-</sub></td> <td>0.329<sub>-</sub></td> <td>0.359<sub>-</sub></td> </tr> </table>	Color / Chromaticity Coordinates (CIE)	Red x <sub>0</sub>	0.616 <sub>-</sub>	0.646 <sub>-</sub>	0.676 <sub>-</sub>	Red y <sub>0</sub>	0.308 <sub>-</sub>	0.338 <sub>-</sub>	0.368 <sub>-</sub>	Green x <sub>0</sub>	0.280 <sub>-</sub>	0.290 <sub>-</sub>	0.320 <sub>-</sub>	Green y <sub>0</sub>	0.576 <sub>-</sub>	0.606 <sub>-</sub>	0.636 <sub>-</sub>	Blue x <sub>0</sub>	0.115 <sub>-</sub>	0.145 <sub>-</sub>	0.175 <sub>-</sub>	Blue y <sub>0</sub>	0.041 <sub>-</sub>	0.071 <sub>-</sub>	0.101 <sub>-</sub>	Color Coordinates (CIE) White	White x <sub>0</sub>	0.283 <sub>-</sub>	0.313 <sub>-</sub>	0.343 <sub>-</sub>	White y <sub>0</sub>	0.299 <sub>-</sub>	0.329 <sub>-</sub>	0.359 <sub>-</sub>	Revised
Color / Chromaticity Coordinates (CIE)	Red x <sub>0</sub>	0.618 <sub>-</sub>		0.648 <sub>-</sub>	0.678 <sub>-</sub>																																																																			
	Red y <sub>0</sub>	0.309 <sub>-</sub>		0.339 <sub>-</sub>	0.369 <sub>-</sub>																																																																			
	Green x <sub>0</sub>	0.252 <sub>-</sub>		0.282 <sub>-</sub>	0.312 <sub>-</sub>																																																																			
	Green y <sub>0</sub>	0.573 <sub>-</sub>		0.603 <sub>-</sub>	0.633 <sub>-</sub>																																																																			
	Blue x <sub>0</sub>	0.113 <sub>-</sub>	0.143 <sub>-</sub>	0.173 <sub>-</sub>																																																																				
Blue y <sub>0</sub>	0.040 <sub>-</sub>	0.070 <sub>-</sub>	0.100 <sub>-</sub>																																																																					
Color Coordinates (CIE) White	White x <sub>0</sub>	0.283 <sub>-</sub>	0.313 <sub>-</sub>	0.343 <sub>-</sub>																																																																				
	White y <sub>0</sub>	0.299 <sub>-</sub>	0.329 <sub>-</sub>	0.359 <sub>-</sub>																																																																				
Color / Chromaticity Coordinates (CIE)	Red x <sub>0</sub>	0.616 <sub>-</sub>	0.646 <sub>-</sub>	0.676 <sub>-</sub>																																																																				
	Red y <sub>0</sub>	0.308 <sub>-</sub>	0.338 <sub>-</sub>	0.368 <sub>-</sub>																																																																				
	Green x <sub>0</sub>	0.280 <sub>-</sub>	0.290 <sub>-</sub>	0.320 <sub>-</sub>																																																																				
	Green y <sub>0</sub>	0.576 <sub>-</sub>	0.606 <sub>-</sub>	0.636 <sub>-</sub>																																																																				
	Blue x <sub>0</sub>	0.115 <sub>-</sub>	0.145 <sub>-</sub>	0.175 <sub>-</sub>																																																																				
Blue y <sub>0</sub>	0.041 <sub>-</sub>	0.071 <sub>-</sub>	0.101 <sub>-</sub>																																																																					
Color Coordinates (CIE) White	White x <sub>0</sub>	0.283 <sub>-</sub>	0.313 <sub>-</sub>	0.343 <sub>-</sub>																																																																				
	White y <sub>0</sub>	0.299 <sub>-</sub>	0.329 <sub>-</sub>	0.359 <sub>-</sub>																																																																				
0.3 2009/07/16	6	Central Luminance Min Typ Max 240 300 -	Central Luminance Min Typ Max 320 400 -	Revised																																																																				
0.3 2009/07/16	12	IDD Input Current Min Typ Max 0.9 1.17	IDD Input Current Min Typ Max 0.7 0.85	Revised																																																																				
0.3 2009/07/16	12	PDD VDD Power Min Typ Max 4.5 5.0	PDD VDD Power Min Typ Max 3.5 3.8	Revised																																																																				
0.3 2009/07/16	12	IRush Inrush Current Min Typ Max 2.5	IRush Inrush Current Min Typ Max 2.0	Revised																																																																				
0.3 2009/07/16	14	CCFL Standard Current (ISCFL) Min Typ Max 6.0 7.0 8.0	CCFL Standard Current (ISCFL) Min Typ Max 5.5 6.5 7.5	Revised																																																																				
0.3 2009/07/16	14	CCFL Operation Current (IRCFL) Min Typ Max 3.0 7.0 8.0	CCFL Operation Current (IRCFL) Min Typ Max 3.0 6.5 8.0	Revised																																																																				
0.3 2009/07/16	14	CCFL Ignition Voltage (ViCFL, Ta= 0°C) Min Typ Max 2120 - -	CCFL Ignition Voltage (ViCFL, Ta= 0°C) Min Typ Max 2140 - -	Revised																																																																				
0.3 2009/07/16	14	CCFL Ignition Voltage (ViCF, Ta= 25°C) Min Typ Max 1650 - -	CCFL Ignition Voltage (ViCF, Ta= 25°C) Min Typ Max 1640 - -	Revised																																																																				
0.3 2009/07/16	14	CCFL Operation Voltage (VCFL) Min Typ Max - 1002(@ 7.0mA) 952	CCFL Operation Voltage (VCFL) Min Typ Max - 993 (@ 6.5mA) -	Revised																																																																				
0.3 2009/07/16	14	CCFL Power Consumption (PCFL) Min Typ Max - 28.24 30.7	CCFL Power Consumption (PCFL) Min Typ Max - 25.8 30.7	Revised																																																																				
1.0 2009/09/14	11	4.2 Backlight Unit CCFL Current Min Max	4.2 Backlight Unit CCFL Current Min Max																																																																					



# Product Specification

M270HW01 V0

AU OPTRONICS CORPORATION

		3.0	8.0		3.0	7.5	
1.0	2009/09/14	15	5.2 Backlight Unit CCFL Operation Current (IRCFL) Min Typ Max 3.0 6.5 8.0		5.2 Backlight Unit CCFL Operation Current (IRCFL) Min Typ Max 3.0 6.5 7.5		Revised

## 1.0 Handling Precautions

- 1) Since front polarizer is easily damaged, pay attention not to scratch it.
- 2) Be sure to turn off power supply when inserting or disconnecting from input connector.
- 3) Wipe off water drop immediately. Long contact with water may cause discoloration or spots.
- 4) When the panel surface is soiled, wipe it with absorbent cotton or other soft cloth.
- 5) Since the panel is made of glass, it may break or crack if dropped or bumped on hard surface.
- 6) Since CMOS LSI is used in this module, take care of static electricity and insure human earth when handling.
- 7) Do not open or modify the Module Assembly.
- 8) Do not press the reflector sheet at the back of the module to any directions.
- 9) In case if a Module has to be put back into the packing container slot after once it was taken out from the container, do not press the center of the CCFL reflector edge. Instead, press at the far ends of the CCFL Reflector edge softly. Otherwise the TFT Module may be damaged.
- 10) At the insertion or removal of the Signal Interface Connector, be sure not to rotate nor tilt the Interface Connector of the TFT Module.
- 11) After installation of the TFT Module into an enclosure, do not twist nor bend the TFT Module even momentary. At designing the enclosure, it should be taken into consideration that no bending/twisting forces are applied to the TFT Module from outside. Otherwise the TFT Module may be damaged.
- 12) Cold cathode fluorescent lamp in LCD contains a small amount of mercury. Please follow local ordinances or regulations for disposal.
- 13) Small amount of materials having no flammability grade is used in the LCD module. The LCD module should be supplied by power complied with requirements of Limited Power Source (IEC60950 or UL1950), or be applied exemption.
- 14) The LCD module is designed so that the CCFL in it is supplied by Limited Current Circuit (IEC60950 or UL1950). Do not connect the CCFL in Hazardous Voltage Circuit.

## 2.0 General Description

This specification applies to the 27 inch-wide Color a-Si TFT-LCD Module M270HW01. The display supports the Full HD - 1920(H) x 1080(V) screen format and 16.7M colors (RGB 6-bits + Hi-FRC data). All input signals are 2-channel LVDS interface and this module doesn't contain an inverter board for backlight.

## 2.1 Display Characteristics

The following items are characteristics summary on the table under 25°C condition:

ITEMS	Unit	SPECIFICATIONS
Screen Diagonal	[mm]	685.65(27")
Active Area	[mm]	597.6 (H) x 336.15 (V)
Pixels H x V		1920(x3) x 1080
Pixel Pitch	[um]	311.25 (per one triad) x311.25
Pixel Arrangement		R.G.B. Vertical Stripe
Display Mode		TN Mode, Normally White
White Luminance ( Center )	[cd/m <sup>2</sup> ]	400 cd/m <sup>2</sup> (Typ.)
Contrast Ratio		1000 (Typ.)
Optical Response Time	[msec]	5ms (Typ., on/off)
Nominal Input Voltage VDD	[Volt]	+5.0 V
Power Consumption (VDD line + CCFL line)	[Watt]	29.5W (Typ.) (without inverter, all black pattern)
Weight	[Grams]	3800 (Typ.)
Physical Size	[mm]	630(W) x 368.2(H) x 16.2(D) typ
Electrical Interface		Dual channel LVDS
Support Color		16.7M colors (RGB 6-bit + Hi_FRC )
Surface Treatment		Anti-Glare, 3H
Temperature Range		
Operating	[°C]	0 to +50
Storage (Shipping)	[°C]	-20 to +60
RoHS Compliance		RoHS Compliance
TC0'03 Compliance		TC0'03 Compliance

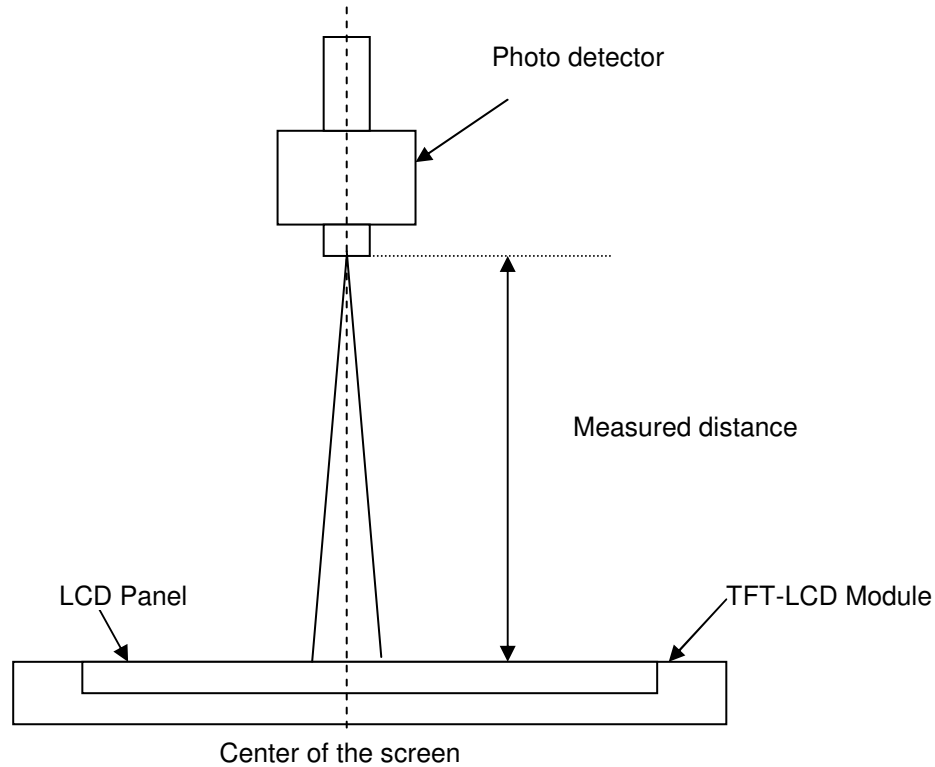
## 2.2 Optical Characteristics

The optical characteristics are measured under stable conditions at 25°C :

Item	Unit	Conditions	Min.	Typ.	Max.	Note
Viewing Angle	[degree]	Horizontal (Right) CR = 10 (Left)	150	170	-	<b>2</b>
		Vertical (Up) CR = 10 (Down)	140	160	-	
Contrast ratio		Normal Direction	600	1000	-	<b>3</b>
Response Time	[msec]	Raising Time ( $T_{rR}$ )	-	3.8	5.5	<b>4</b>
		Falling Time ( $T_{rF}$ )	-	1.2	2.5	
		Raising + Falling	-	5	8	
Color / Chromaticity Coordinates (CIE)		Red x	0.616	0.646	0.676	<b>5</b>
		Red y	0.308	0.338	0.368	
		Green x	0.260	0.290	0.320	
		Green y	0.576	0.606	0.636	
		Blue x	0.115	0.145	0.175	
		Blue y	0.041	0.071	0.101	
Color Coordinates (CIE) White		White x	0.283	0.313	0.343	
		White y	0.299	0.329	0.359	
Central Luminance	[cd/m <sup>2</sup> ]		320	400	-	<b>6</b>
Luminance Uniformity	[%]		75	80	-	<b>7</b>
Crosstalk (in 60Hz)	[%]				1.5	<b>8</b>
Flicker	dB				-20	<b>9</b>

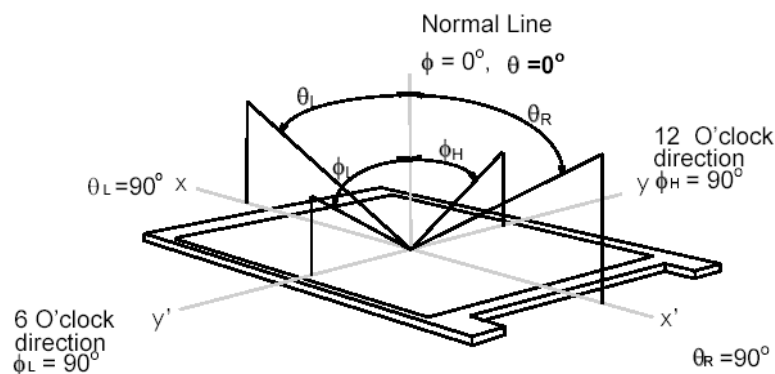
**Note 1: Measurement method**

The LCD module should be stabilized at given temperature for 30 minutes to avoid abrupt temperature change during measuring (at surface 35°C). In order to stabilize the luminance, the measurement should be executed after lighting Backlight for 30 minutes in a stable, windless and dark room.



**Note 2: Definition of viewing angle** measured by ELDIM (EZContrast 88)

Viewing angle is the measurement of contrast ratio  $\geq 10$ , at the screen center, over a 180° horizontal and 180° vertical range (off-normal viewing angles). The 180° viewing angle range is broken down as follows; 90° ( $\theta$ ) horizontal left and right and 90° ( $\phi$ ) vertical, high (up) and low (down). The measurement direction is typically perpendicular to the display surface with the screen rotated about its center to develop the desired measurement viewing angle.

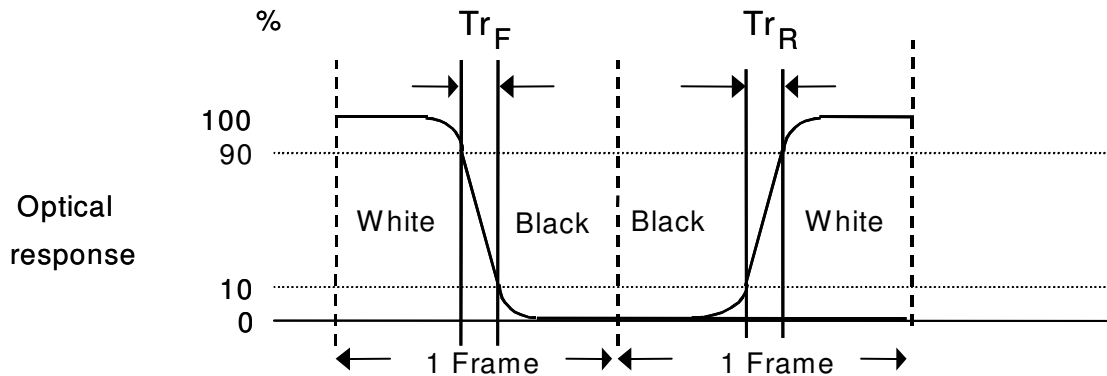




**Note 3: Contrast ratio is** measured by TOPCON SR-3

**Note 4: Definition of Response time** measured by Westar TRD-100A

The output signals of photo detector are measured when the input signals are changed from “Full Black” to “Full White” (rising time,  $Tr_R$ ), and from “Full White” to “Full Black” (falling time,  $Tf_F$ ), respectively. The response time is interval between the 10% and 90% (1 frame at 60 Hz) of amplitudes.

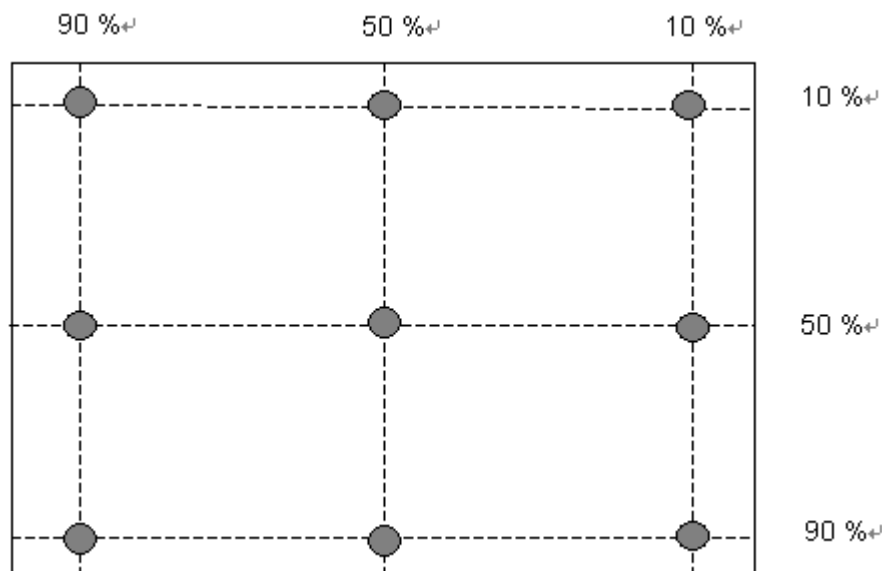


$Tr_R + Tf_F = 5 \text{ msec (typ.)}$ .

**Note 5: Color chromaticity and coordinates (CIE)** is measured by TOPCON SR-3

**Note 6: Central luminance** is measured by TOPCON SR-3

**Note 7: Luminance uniformity of these 9 points is defined as below and** measured by TOPCON SR-3



$$\text{Uniformity} = \frac{\text{Minimum Luminance in 9 points (1-9)}}{\text{Maximum Luminance in 9 Points (1-9)}}$$

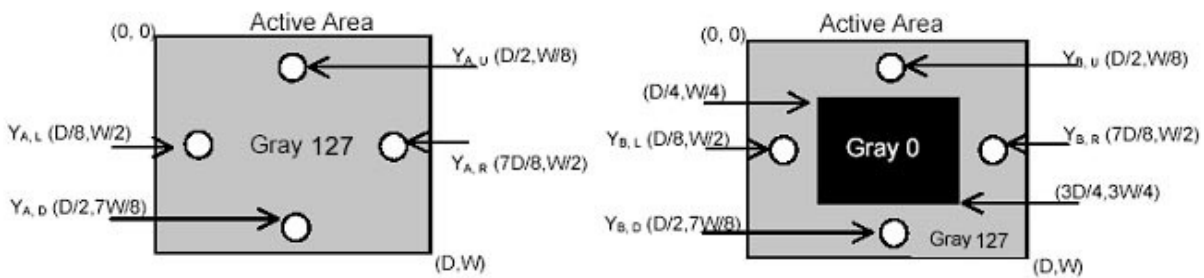
**Note 8: Crosstalk is defined as below and** measured by TOPCON SR-3

$$CT = | YB - YA | / YA \times 100 (\%)$$

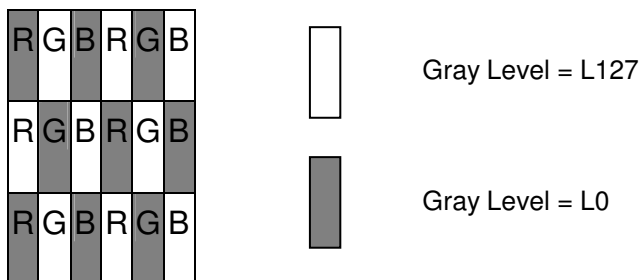
Where

YA = Luminance of measured location without gray level 0 pattern (cd/m<sup>2</sup>)

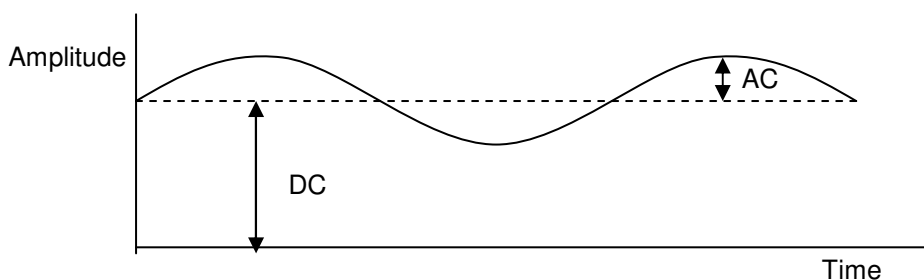
YB = Luminance of measured location with gray level 0 pattern (cd/m<sup>2</sup>)



**Note 9: Test Pattern: Subchecker Pattern** measured by TOPCON SR-3



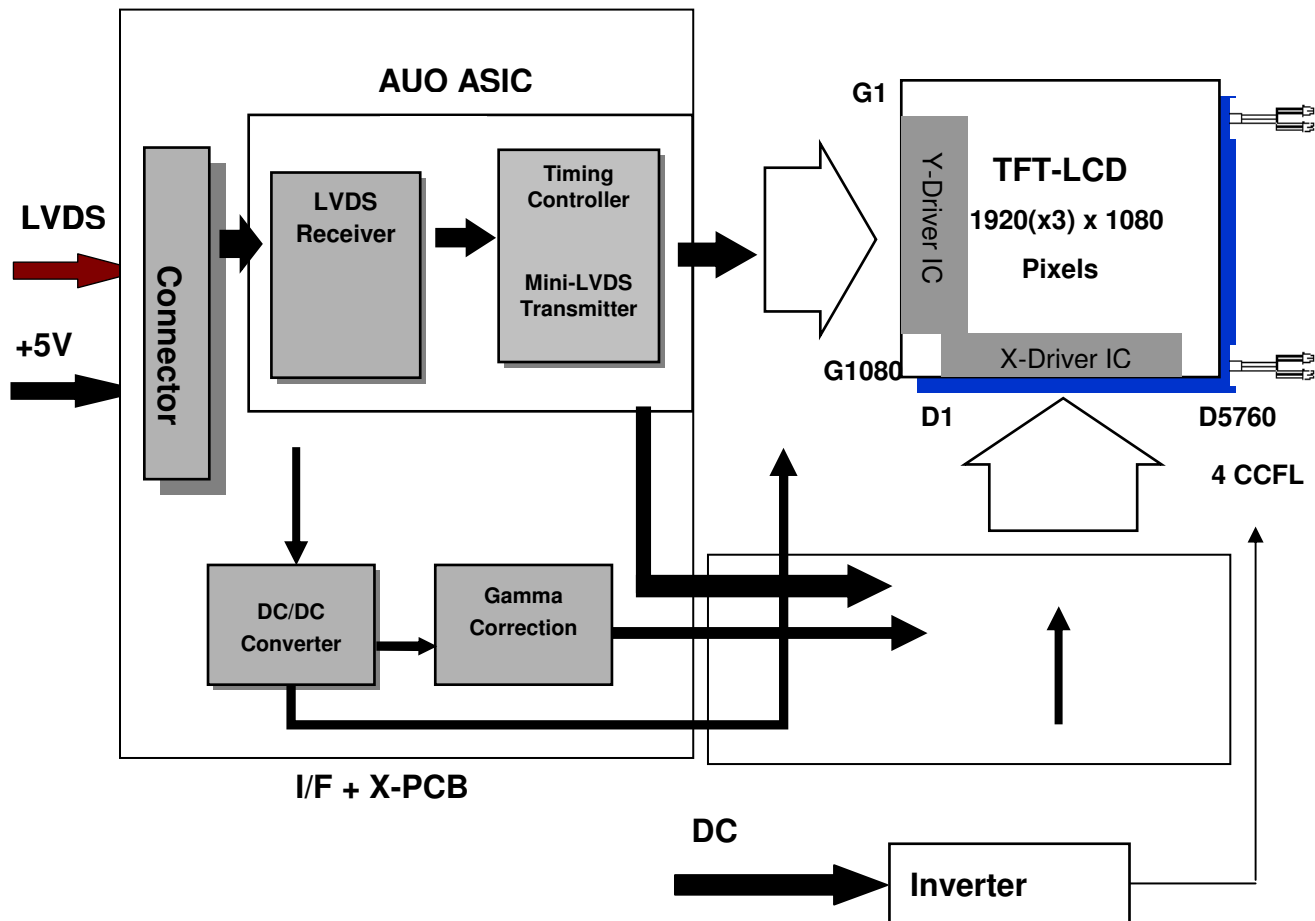
Method: Record dBV & DC value with TRD-100



$$\text{Flicker (dB)} = 20 \log \frac{\text{AC Level(at 30 Hz)}}{\text{DC Level}}$$

### 3.0 Functional Block Diagram

The following diagram shows the functional block of the 21.5 inch Color TFT-LCD Module:



#### I/F PCB Interface:

FI-XB30SSL-HF15 (JAE)  
or MSBKT2407P30HB (STM)

#### Mating Type:

FI-X30HL (Locked Type)

## 4.0 Absolute Maximum Ratings

Absolute maximum ratings of the module are as following:

### 4.1 TFT LCD Module

Item	Symbol	Min	Max	Unit	Conditions
Logic/LCD Drive Voltage	VDD	0	5.5	[Volt]	<i>Note 1,2</i>

### 4.2 Backlight Unit

Item	Symbol	Min	Max	Unit	Conditions
CCFL Current	ICFL	3.0	7.5	[mA] rms	<i>Note 1,2</i>

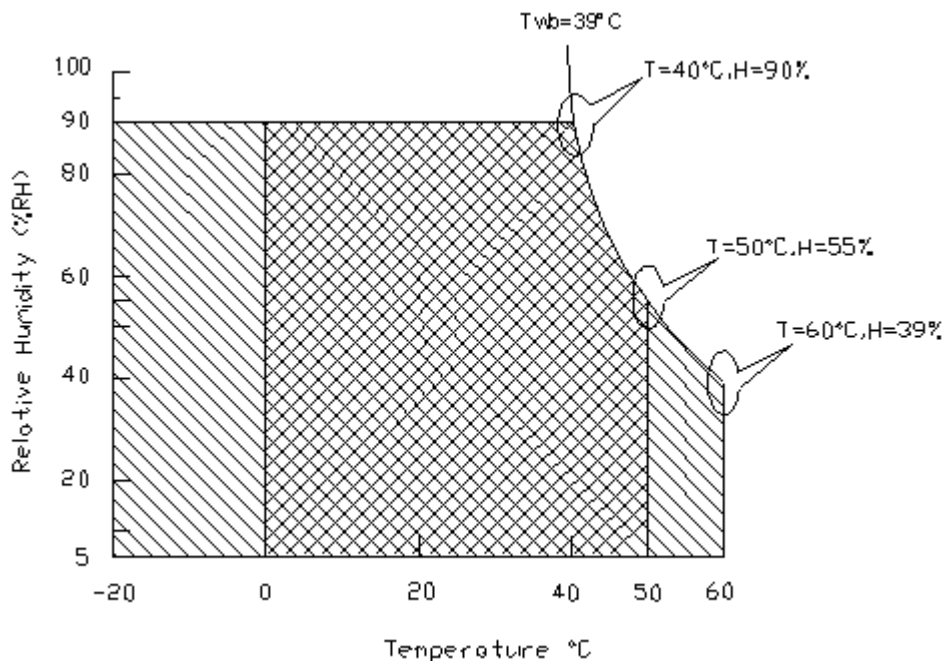
## 4.3 Absolute Ratings of Environment

Item	Symbol	Min.	Max.	Unit	Conditions
Operating Temperature	TOP	0	+50	[°C]	<i>Note 3</i>
Operation Humidity	HOP	5	90	[%RH]	
Storage Temperature	TST	-20	+60	[°C]	
Storage Humidity	HST	5	90	[%RH]	

**Note 1:** With in Ta (25°C)

**Note 2:** Permanent damage to the device may occur if exceeding maximum values

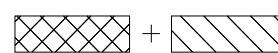
**Note 3:** For quality performance, please refer to AUO IIS(Incoming Inspection Standard).



Operating Range



Storage Range



## 5.0 Electrical characteristics

### 5.1 TFT LCD Module

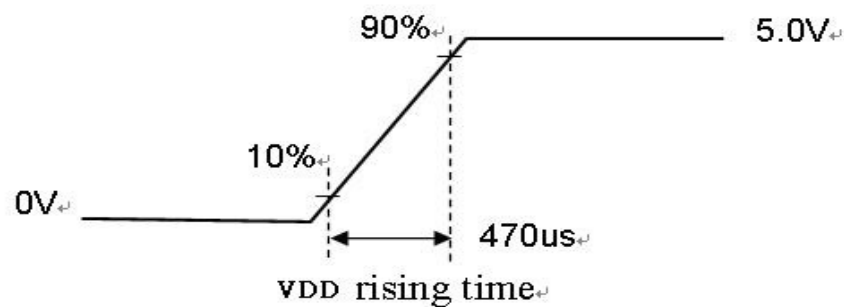
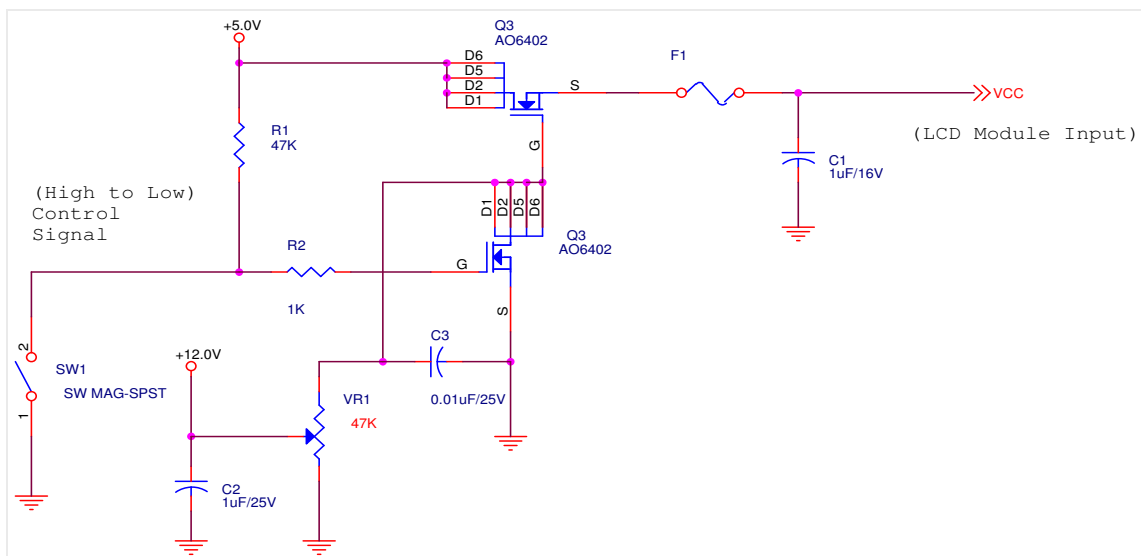
#### 5.1.1 Power Specification

Input power specifications are as following:

Symbol	Parameter	Min	Typ	Max	Unit	Conditions
VDD	Logic/LCD Drive Voltage	4.5	5.0	5.5	[Volt]	+/-10%
IDD	Input Current	-	0.7	0.85	[A]	VDD= 5.0V, All Black Pattern At 60Hz
PDD	VDD Power	-	3.5	3.8	[Watt]	VDD= 5.0V, All Black Pattern At 60Hz
IRush	Inrush Current	-	-	2.0	[A]	<b>Note 1</b>
VDDrp	Allowable Logic/LCD Drive Ripple Voltage	-	-	300	[mV] p-p	VDD= 5.0V, All Black Pattern At 75Hz

**Note 1:** Measurement conditions:

The duration of rising time of power input is 470us.



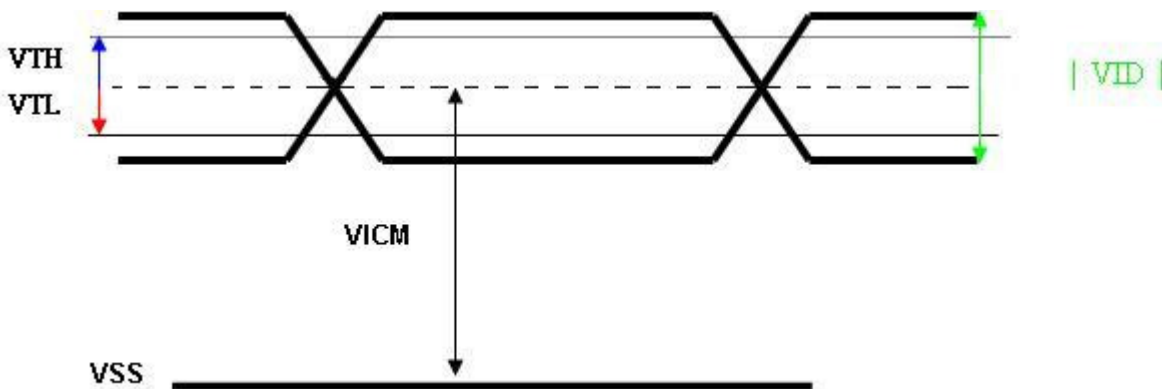
## 5.1.2 Signal Electrical Characteristics

Input signals shall be low or Hi-Z state when VDD is off. Please refer to specifications of SN75LVDS82DGG (Texas Instruments) in detail.

Characteristics of each signal are as following:

Symbol	Parameter	Min	Typ	Max	Units	Condition
VTH	Differential Input High Threshold	-	+50	+100	[mV]	VICM = 1.2V <b>Note 1</b>
VTL	Differential Input Low Threshold	-100	-50	-	[mV]	VICM = 1.2V <b>Note 1</b>
VID	Input Differential Voltage	100	-	600	[mV]	<b>Note 1</b>
VICM	Differential Input Common Mode Voltage	+1.0	+1.2	+1.5	[V]	VTH-VTL = 200mV (max) <b>Note 1</b>

**Note 1:** LVDS Signal Waveform



## 5.2 Backlight Unit

Parameter guideline for CCFL Inverter is under stable conditions at 25°C (Room Temperature):

Parameter	Min.	Typ.	Max.	Unit	Note
CCFL Standard Current (ISCFL)	5.5	6.5	7.5	[mA] rms	
CCFL Operation Current (IRCFL)	3.0	6.5	7.5	[mA] rms	<b>2</b>
CCFL Frequency (FCFL)	40	55	60	[KHz]	<b>3, 4</b>
CCFL Ignition Voltage (ViCFL, Ta= 0°C)	2140	-	-	[Volt] rms	<b>5</b>
CCFL Ignition Voltage (ViCF, Ta= 25°C)	1640	-	-	[Volt] rms	
CCFL Operation Voltage (VCFL)	-	993 (@ 6.5mA)	-	[Volt] rms	<b>6</b>
CCFL Power Consumption (PCFL)	-	25.8	30.7	[Watt]	
CCFL Life Time (LTCFL)	40,000	50,000	-	[Hour]	<b>7</b>

**Note 1:** Typ. values are AUO recommended design values.

\*1 All of characteristics listed are measured under the condition using the AUO test inverter.

\*2 It is recommended to check the inverter carefully. Sometimes, interfering noise stripes appear on the screen, and substandard luminance or flicker at low power may happen.

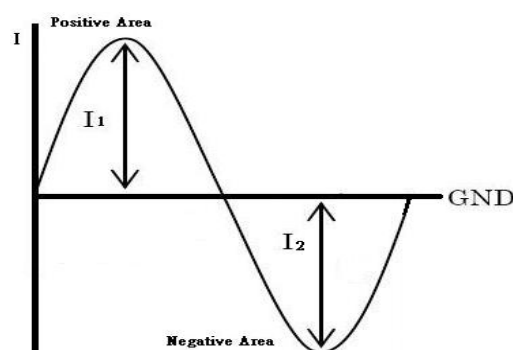
\*3 While designing an inverter, it is suggested to check safety circuit very carefully. Impedance of CCFL, for instance, becomes more than 1 [M ohm] when CCFL is damaged.

\*4 Generally, CCFL has certain delay time after applying kick-off voltage. It is recommended to keep on applying kick-off voltage for 1 [Sec] until discharge.

\*5 Reducing CCFL current will increase CCFL discharge voltage and generally increases CCFL discharge frequency. So all the parameters of the inverter should be carefully designed so the inverter will not produce too much leakage current from high-voltage output.

\*6 Both CCFLs in the CCFL set (2 CCFL lamps on each side of a panel) is designed for identical phase driving. Reversed phase driving of CCFL set is not encouraged.

\*7 For designing CCFL current, it is highly recommended to use symmetric and consistent sinusoidal wave for each CCFL input current with asymmetric ration of 10% or less in both positive area and negative area (ie.  $0.9 \cdot \sqrt{2} \cdot I_{rms} < I_1$  &  $I_2 < 1.1 \cdot \sqrt{2} \cdot I_{rms}$ ) as refer to the following diagram, otherwise proper CCFL functionality cannot be guaranteed.



**Note 2:** CCFL standard current is measured at  $25\pm 2^{\circ}\text{C}$ .

**Note 3:** CCFL discharge frequency should be carefully determined to avoid interference between inverter and TFT LCD.

**Note 4:** The frequency range will not affect lamp life and reliability characteristics.

**Note 5:** CCFL inverter should be able to release power that has generating capacity exceeding 1780 volt. Lamp units need minimum voltage, 1780 Volt, for ignition.

**Note 6:** The variance of CCFL power consumption is  $\pm 10\%$ . ( $\text{IRCFL} \times \text{VCFL} \times 4 = \text{PCFL}$ )

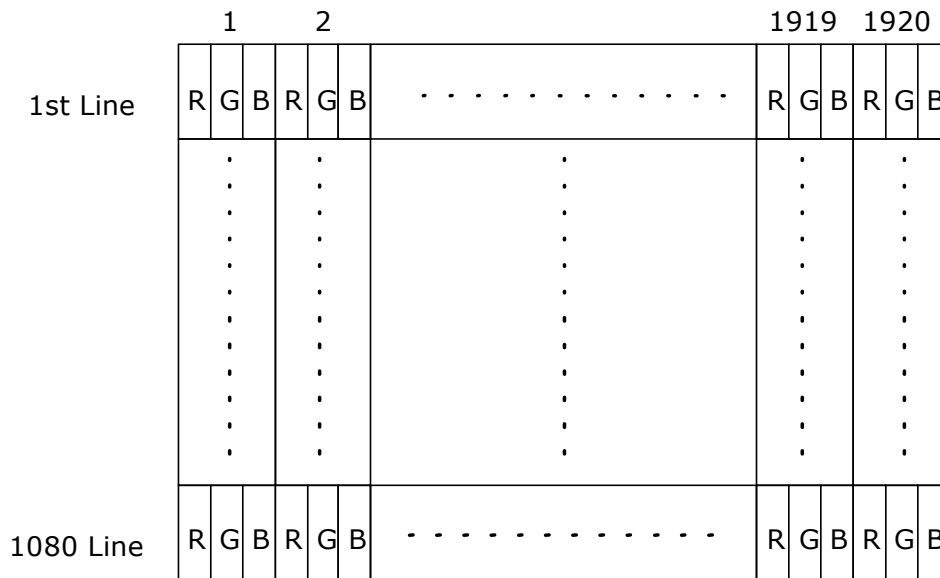
**Note 7:** Definition of life time: brightness becomes 50%. The minimum life time of CCFL unit is on the condition of 7.5mA CCFL current and  $25\pm 2^{\circ}\text{C}$ .



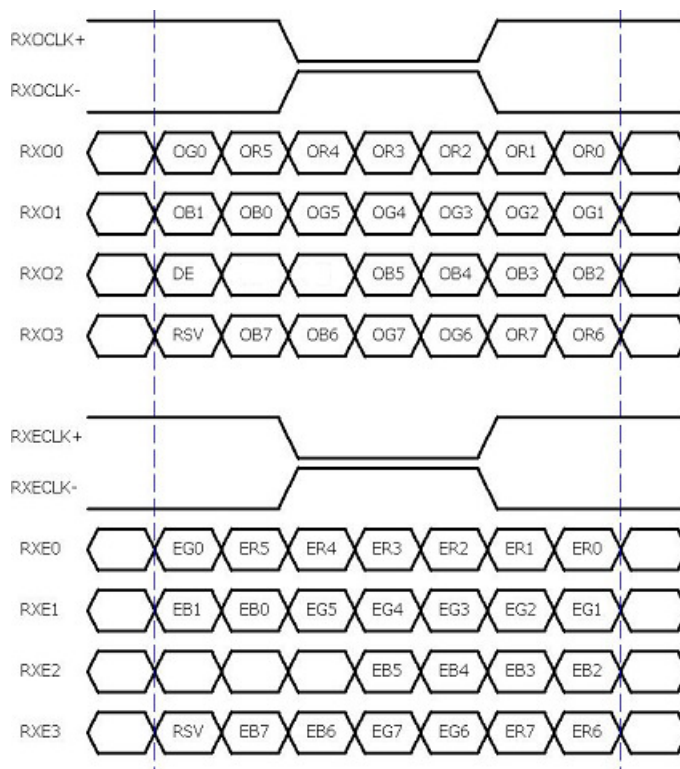
## 6.0 Signal Characteristic

### 6.1 Pixel Format Image

Following figure shows the relationship of the input signals and LCD pixel format.



### 6.2 The input data format



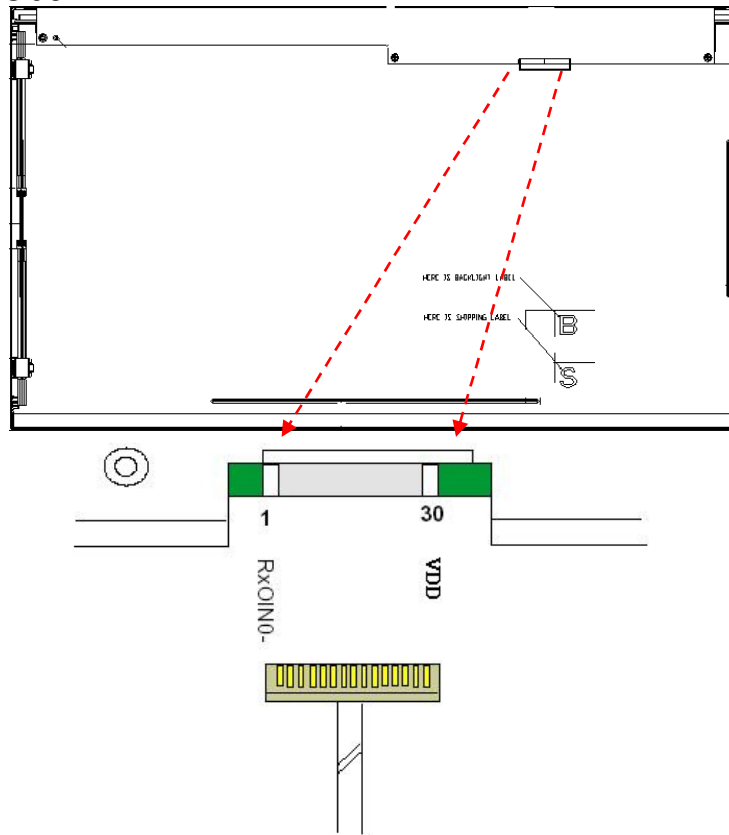
**Note 1:** R/G/B data 7:MSB, R/G/B data 0:LSB O = "First Pixel Data" E = "Second Pixel Data"

## 6.3 Signal Description

The module using one LVDS receiver SN75LVDS82(Texas Instruments). LVDS is a differential signal technology for LCD interface and high speed data transfer device. LVDS transmitters shall be SN75LVDS83(negative edge sampling). The first LVDS port(RxOxxx) transmits odd pixels while the second LVDS port(RxExxx) transmits even pixels.

PIN #	SIGNAL NAME	DESCRIPTION
1	RxOIN0-	Negative LVDS differential data input (Odd data)
2	RxOIN0+	Positive LVDS differential data input (Odd data)
3	RxOIN1-	Negative LVDS differential data input (Odd data)
4	RxOIN1+	Positive LVDS differential data input (Odd data)
5	RxOIN2-	Negative LVDS differential data input (Odd data,DSPTMG)
6	RxOIN2+	Positive LVDS differential data input (Odd data,DSPTMG)
7	GND	Power Ground
8	RxOCLK-	Negative LVDS differential clock input (Odd clock)
9	RxOCLK+	Positive LVDS differential clock input (Odd clock)
10	RxOIN3-	Negative LVDS differential data input (Odd data)
11	RxOIN3+	Positive LVDS differential data input (Odd data)
12	RxEIN0-	Negative LVDS differential data input (Even data)
13	RxEIN0+	Positive LVDS differential data input (Even data)
14	GND	Power Ground
15	RxEIN1-	Positive LVDS differential data input (Even data)
16	RxEIN1+	Negative LVDS differential data input (Even data)
17	GND	Power Ground
18	RxEIN2-	Negative LVDS differential data input (Even data)
19	RxEIN2+	Positive LVDS differential data input (Even data)
20	RxECLK-	Negative LVDS differential clock input (Even clock)
21	RxECLK+	Positive LVDS differential clock input (Even clock)
22	RxEIN3-	Negative LVDS differential data input (Even data)
23	RxEIN3+	Positive LVDS differential data input (Even data)
24	GND	Power Ground
25	NC	No connection (for AUO test only. Do not connect)
26	NC	No connection (for AUO test only. Do not connect)
27	NC	No connection (for AUO test only. Do not connect)
28	VDD	Power +5V
29	VDD	Power +5V
30	VDD	Power +5V

**Note1:** Start from left side



**Note2:** Input signals of odd and even clock shall be the same timing.

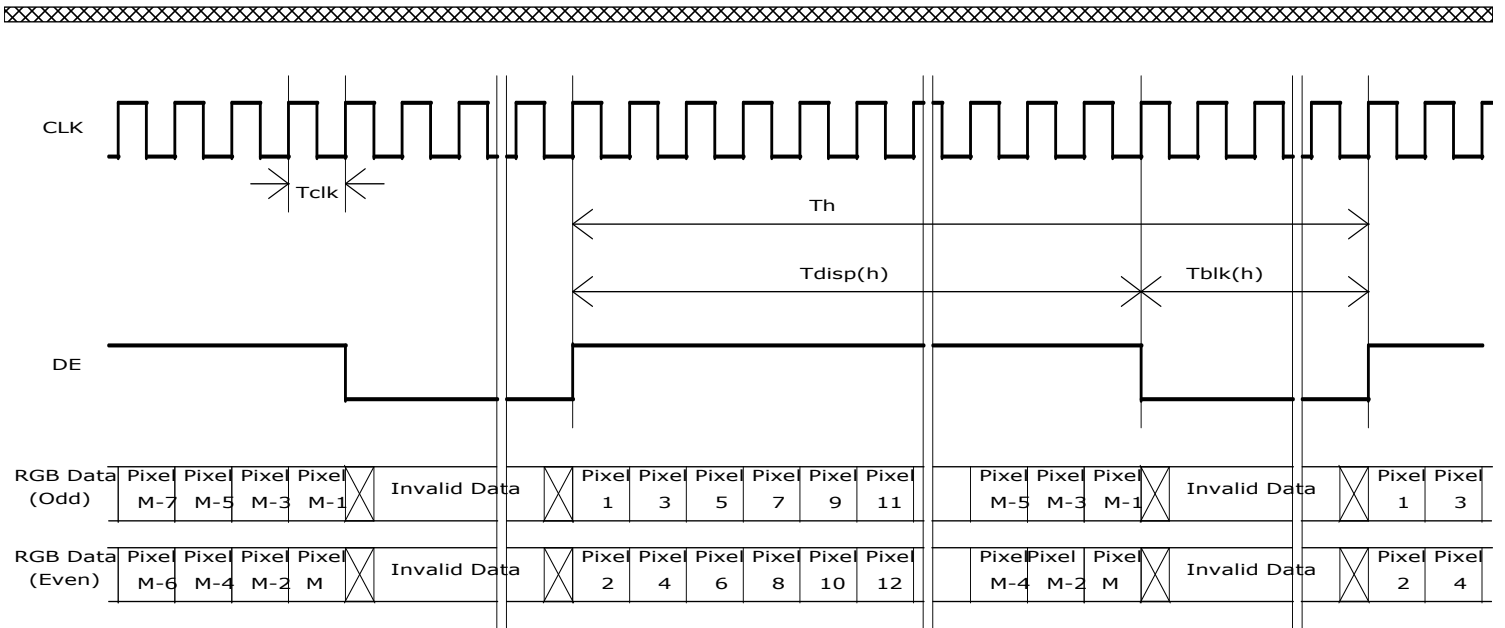
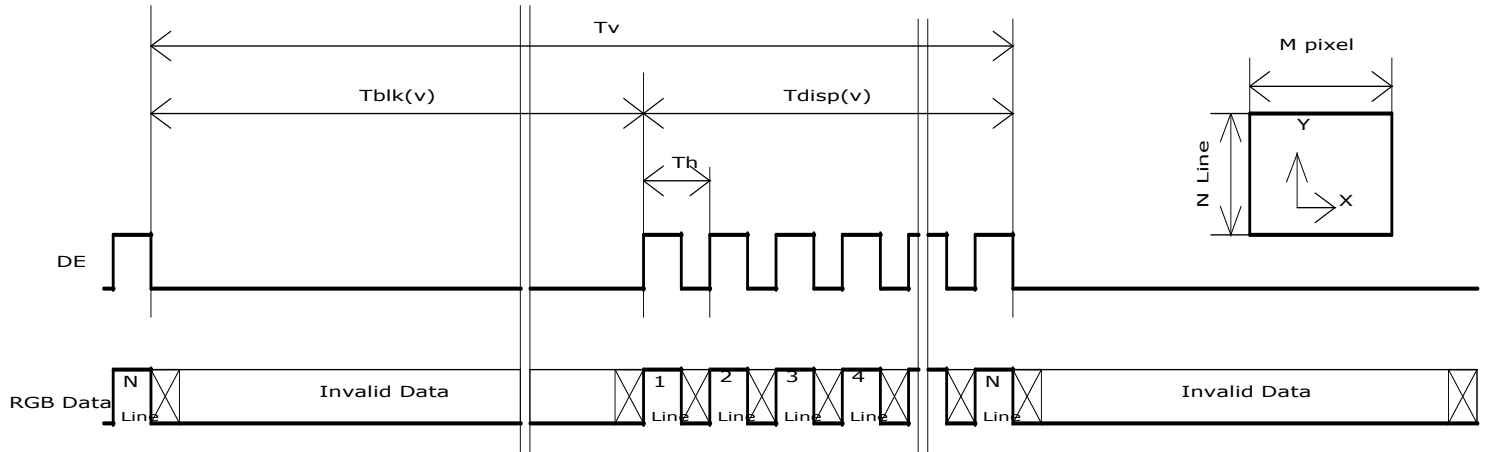
## 6.4 Timing Characteristics

Basically, interface timing described here is not actual input timing of LCD module but close to output timing of SN75LVDS82DGG (Texas Instruments) or equivalent.

Item	Symbol	Min	Typ	Max	Unit	
Data CLK	Tclk	40	75	90	[MHz]	
H-section	Period	Th	1034	1060	2047	[Tclk]
	Display Area	Tdisp(h)	960	960	960	[Tclk]
	Blanking	Tblk(h)	74	100	1087	[Tclk]
V-section	Period	Tv	1088	1120	2047	[Th]
	Display Area	Tdisp(h)	1080	1080	1080	[Th]
	Blanking	Tblk(h)	8	40	967	[Th]
Frame Rate	F	50	60	75	[Hz]	

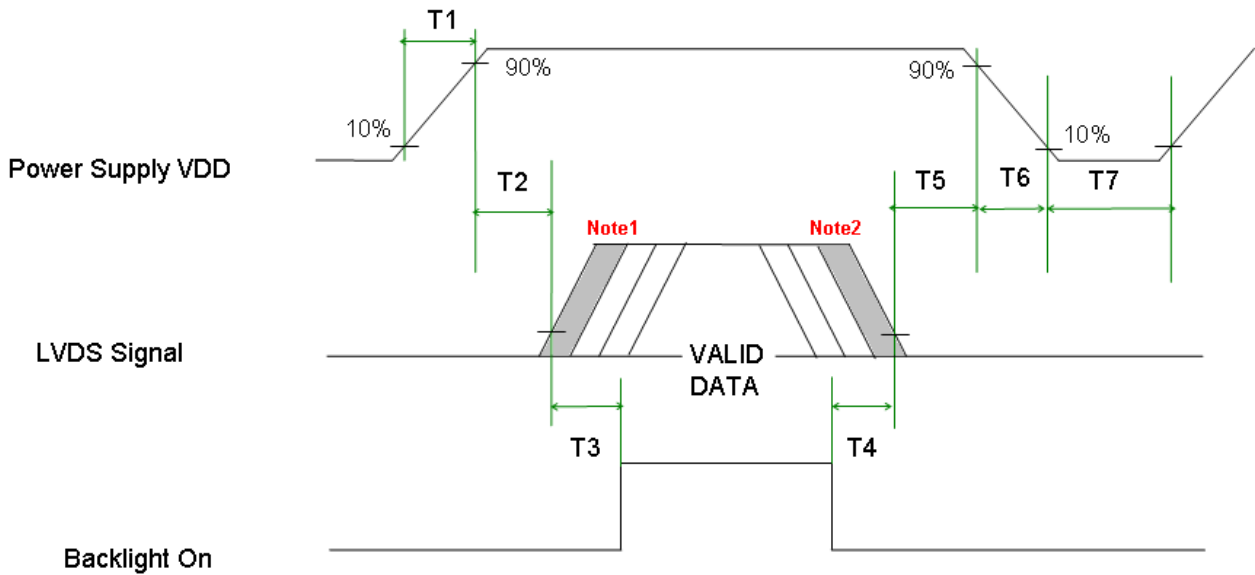
**Note :** DE mode only

## 6.5 Timing diagram



## 6.6 Power ON/OFF Sequence

VDD power and lamp on/off sequence are as follows. Interface signals are also shown in the chart. Signals from any system shall be Hi-Z state or low level when VDD is off.



\* Note1 : Black Pattern  
 \* Note2 : White Pattern

Parameter	Value			Unit
	Min.	Typ.	Max.	
T1	0.5	-	10	[msec]
T2	10	-	50	[msec]
T3	200	-	-	[msec]
T4	200	-	-	[msec]
T5	0	16	50	[msec]
T6	-	-	100	[msec]
T7	1000	-	-	[msec]

Note : Without panel

## 7.0 Connector & Pin Assignment

Physical interface is described as for the connector on module. These connectors are capable of accommodating the following signals and will be following components.

### 7.1 TFT LCD Module

Connector Name / Designation	Interface Connector / Interface card
Manufacturer	JAE / STM
Type Part Number	FI-XB30SSRL-HF15 / MSBKT2407P30HB
Mating Housing Part Number	FI-X30HL (Locked Type)

#### 7.1.1 Pin Assignment

Pin#	Signal Name	Pin#	Signal Name
1	RxOIN0-	2	RxOIN0+
3	RxOIN1-	4	RxOIN1+
5	RxOIN2-	6	RxOIN2+
7	GND	8	RxOCLKIN-
9	RxOCLKIN+	10	RxOIN3-
11	RxOIN3+	12	RxEIN0-
13	RxEIN0+	14	GND
15	RxEIN1-	16	RxEIN1+
17	GND	18	RxEIN2-
19	RxEIN2+	20	RxECLKIN-
21	RxECLKIN+	22	RxEIN3-
23	RxEIN3+	24	GND
25	NC (for AUO test only. Do not connect)	26	NC (for AUO test only. Do not connect)
27	NC (for AUO test only. Do not connect)	28	VDD
29	VDD	30	VDD

## 7.2 Backlight Unit

Physical interface is described as for the connector on module. These connectors are capable of accommodating the following signals and will be following components.

Connector Name / Designation	Lamp Connector / Backlight lamp
Manufacturer	CVILUX / YEONHO
Type Part Number	CP0502SL090/ 35001 HS-02L
Mating Type Part Number	CP0502P1ML0/ 35001 WR-02L

### 7.2.1 Signal for Lamp connector

	Connector No.	Pin No.	Input	Color	Function
Upper	CN1	1	Hot1	Pink	High Voltage
		2	Cold1	White	Low Voltage
	CN2	1	Hot2	Blue	High Voltage
		2	Cold2	Black	Low Voltage

	Connector No.	Pin No.	Input	Color	Function
Lower	CN3	1	Hot1	Pink	High Voltage
		2	Cold1	White	Low Voltage
	CN4	1	Hot2	Blue	High Voltage
		2	Cold2	Black	Low Voltage

## 8.0 Reliability Test

Environment test conditions are listed as following table.

Items	Required Condition	Note
Temperature Humidity Bias (THB)	Ta= 50°C, 80%RH, 300hours	
High Temperature Operation (HTO)	Ta= 50°C, 50%RH, 300hours	
Low Temperature Operation (LTO)	Ta= 0°C, 300hours	
High Temperature Storage (HTS)	Ta= 60°C, 300hours	
Low Temperature Storage (LTS)	Ta= -20°C, 300hours	
Vibration Test (Non-operation)	Acceleration: 1.5 Grms Wave: Random Frequency: 10 - 200 Hz Sweep: 30 Minutes each Axis (X, Y, Z)	
Shock Test (Non-operation)	Acceleration: 50 G Wave: Half-sine Active Time: 20 ms Direction: ±X, ±Y, ±Z (one time for each Axis)	
Drop Test	Height: 60 cm, package test	
Thermal Shock Test (TST)	-20°C/30min, 60°C/30min, 100 cycles	<b>1</b>
On/Off Test	On/10sec, Off/10sec, 30,000 cycles	
ESD (Electro Static Discharge)	Contact Discharge: ± 8KV, 150pF(330Ω ) 1sec, 8 points, 25 times/ point.	<b>2</b>
	Air Discharge: ± 15KV, 150pF(330Ω ) 1sec 8 points, 25 times/ point.	
Altitude Test	Operation:10,000 ft Non-Operation:30,000 ft	

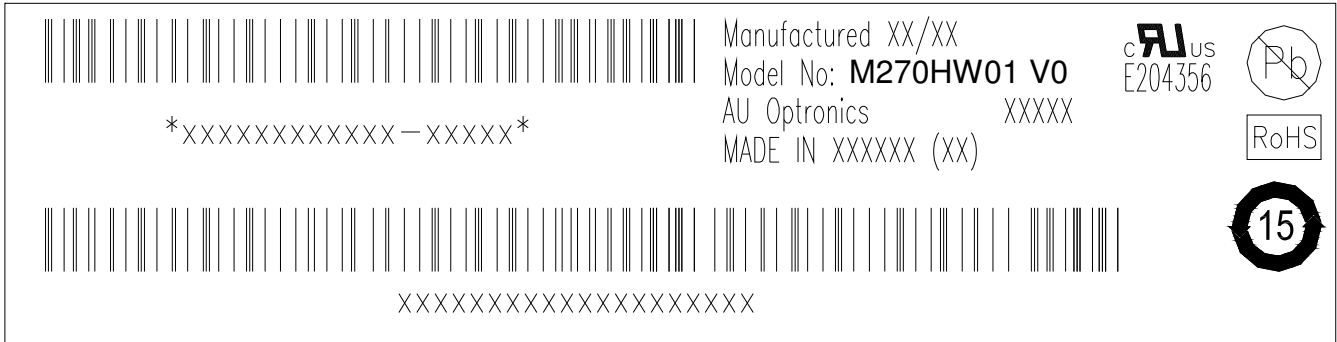
**Note 1:** The TFT-LCD module will not sustain damage after being subjected to 100 cycles of rapid temperature change. A cycle of rapid temperature change consists of varying the temperature from -20°C to 60°C, and back again. Power is not applied during the test. After temperature cycling, the unit is placed in normal room ambient for at least 4 hours before power on.

**Note 2:** EN61000-4-2, ESD class B: Certain performance degradation allowed  
No data lost  
Self-recoverable  
No hardware failures.




## 9.0 Shipping Label

The label is on the panel as shown below:



**Note 1:** For Pb Free products, AUO will add  for identification.

**Note 2:** For RoHS compatible products, AUO will add  for identification.

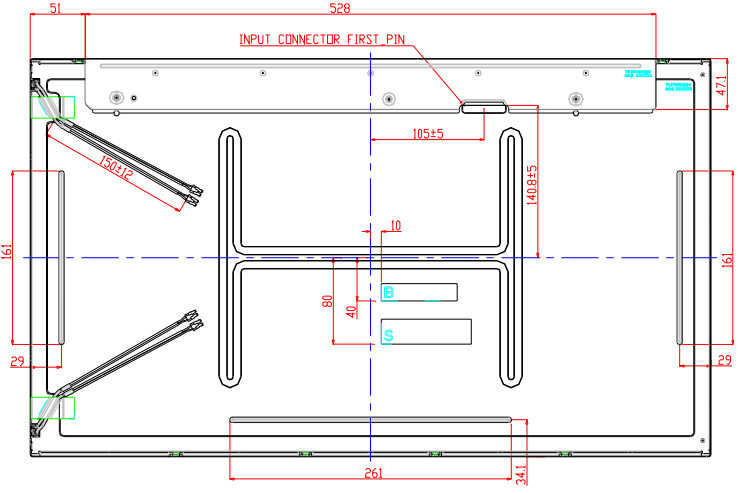
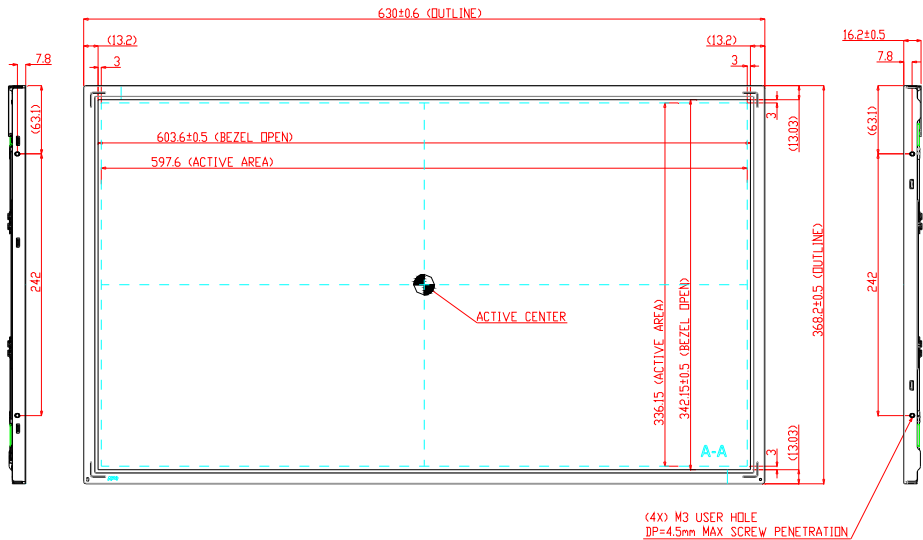
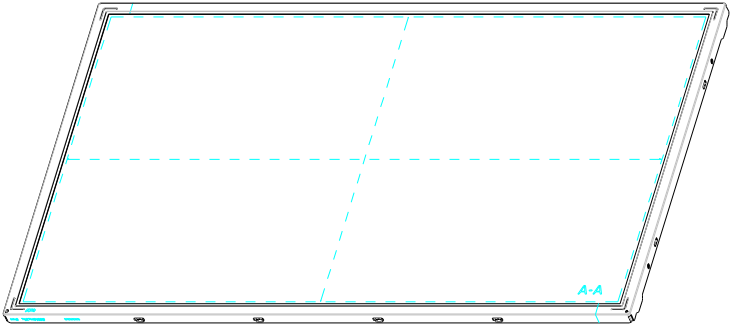
**Note 3:** For China RoHS compatible products, AUO will add  for identification.

**Note 4:** The Green Mark will be presented only when the green documents have been ready by AUO Internal Green Team.

# 10.0 Mechanical Characteristics

- NOTE:
- 1.PRELIMINARY DRAWING FOR REFERENCE ONLY.
  - 2.THE DIMENSION EXCLUDES DEFORMATION.
  - 3.MODULE THICKNESS TO BE 15.9±0.5mm.
  - 4.UNSPECIFIED TOLERANCE MUST FOLLOW TOLERANCE TABLE.
  - 5.LAMP CABLE CONNECTOR TO BE CVILUX CP0502SL000 OR AUO APPROVED.
  - 6.I/F CONNECTOR TO BE STM MSBKT2407P30HB OR AU APPROVED.
  - 7.M3 USER HOLE SCREW TORQUE 5.0kgf-cm MAX.
  - 8.USER HOLE SCREW PENETRATION 4.5mm MAX.

REV	CON NO	DESCRIPTION	SIGN	DATE
01	-	MODIFY BACK COVER OUTLINE	Page Lv	2009/04/12
02	-	MODIFY MIDDLE OUTLINE	Page Lv	2009/05/18



SCALE 0.5

The copyright in the property of AU Optronics Corp. and should not be assigned to any third party without prior permission of AU Optronics Corp.

LEVEL	General	tolerance	1	MINI	SCALE	1:1	DATE	2009/05/18	REV	02
01	01	01	01	01	01	01	01	01	01	01
02	02	02	02	02	02	02	02	02	02	02
03	03	03	03	03	03	03	03	03	03	03
04	04	04	04	04	04	04	04	04	04	04
05	05	05	05	05	05	05	05	05	05	05
06	06	06	06	06	06	06	06	06	06	06
07	07	07	07	07	07	07	07	07	07	07
08	08	08	08	08	08	08	08	08	08	08
09	09	09	09	09	09	09	09	09	09	09
10	10	10	10	10	10	10	10	10	10	10
11	11	11	11	11	11	11	11	11	11	11
12	12	12	12	12	12	12	12	12	12	12