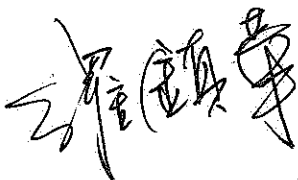
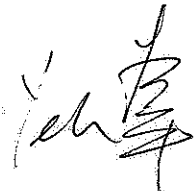


# INNOLUX DISPLAY CORPORATION

## MT190AW02 V.2 LCD MODULE SPECIFICATION

- ( ) Preliminary Specification  
(●) Final Specification

<i>Approved by</i>	<i>Checked by</i>	<i>Prepared by</i>
	10/12 W.P.  2009/Jan/09	卜祥卫 1/9.09

Innolux Display Corporation,

No.160 Kesyue Rd., Chu-Nan Site, Hsinchu Science Park,

Chu-Nan 350, Miao-Li County, Taiwan

Tel: 886-37-586000

Fax: 886-37-586060

Document Number: MT190AW02 V.2-DR4-26



<b>Contents:</b>	
<b>A. General Specification</b>	
<b>B. Electrical Specifications</b>	
1. Pin assignment	
2. Absolute maximum ratings	
3. Electrical characteristics	
a. Typical operating conditions	
b. Display color vs. input data signals	
c. Input signal timing	
d. Display position	
e. Backlight driving conditions	
<b>C. Optical specifications</b>	
<b>D. Reliability test items</b>	
<b>E. Safety</b>	
<b>F. Display quality</b>	
<b>G. Handling precaution</b>	
<b>H. Label</b>	
<b>I. Mechanical drawings</b>	
<b>Appendix</b>	

**A. General specification**

NO.	Item	Specification	Remark
1	Display resolution (pixel)	1,440(H) X 900(V), WXGA+ resolution	
2	Active area (mm)	408.24(H) X 255.15(V)	
3	Screen size (inch)	19 inches diagonal	
4	Pixel pitch (mm)	0.2835(H) X 0.2835(V)	
5	Color configuration	R, G, B vertical stripe	
6	Overall dimension (mm)	428 (W) X 278 (H) X 16.5 (D) (max)	
7	Weight (g)	2200 (max)	
8	Surface treatment	Anti-Glare, Haze=25%, Hard coating (3H)	Note 1
9	Input color signal	8 bit LVDS	
10	Display colors	16.7M (6 bit with Hi-FRC)	
11	Color saturation	72% NTSC	
12	Optimum viewing direction	6 o'clock	
13	Backlight	2 CCFL	
14	TCO'03 & RoHS	RoHS & TCO'03 compliance	Note 2

Note 1: Glare Option available

Note 2: Only Anti-Glare model can meet TCO'03 compliance

**B. Electrical specifications**

## 1. Pin assignment

**Connector**

FOXCONN GS23302-0311S-7F or mechanical interface equivalent connector.

Pin No	Symbol	Description
Frame	VSS	Ground
1	RXinO0-	-LVDS differential data input, Chan 0-Odd
2	RXinO0+	+LVDS differential data input, Chan 0-Odd
3	RXinO1-	-LVDS differential data input, Chan 1-Odd
4	RXinO1+	+LVDS differential data input, Chan 1-Odd
5	RXinO2-	-LVDS differential data input, Chan 2-Odd
6	RXinO2+	+LVDS differential data input, Chan 2-Odd
7	VSS	Ground
8	RXOC-	-LVDS differential Clock input (Odd)
9	RXOC+	+LVDS differential Clock input (Odd)
10	RXinO3-	-LVDS differential data input, Chan 3-Odd
11	RXinO3+	+LVDS differential data input, Chan 3-Odd
12	RXinE0-	-LVDS differential data input, Chan 0-Even
13	RXinE0+	+LVDS differential data input, Chan 0-Even
14	VSS	Ground
15	RXinE1-	-LVDS differential data input, Chan 1-Even
16	RXinE1+	+LVDS differential data input, Chan 1-Even
17	VSS	Ground
18	RXinE2-	-LVDS differential data input, Chan 2-Even
19	RXinE2+	+LVDS differential data input, Chan 2-Even
20	RXEC-	-LVDS differential Clock input (Even)
21	RXEC+	+LVDS differential Clock input (Even)
22	RXinE3-	-LVDS differential data input, Chan 3-Even
23	RXinE3+	+LVDS differential data input, Chan 3-Even
24	VSS	Ground
25	NC	No Connection
26	NC	No Connection
27	NC	No Connection
28	VCC	+5.0V power supply
29	VCC	+5.0V power supply
30	VCC	+5.0V power supply
Frame	VSS	Ground



Top view of LVDS connector



Rear view of LVDS connector

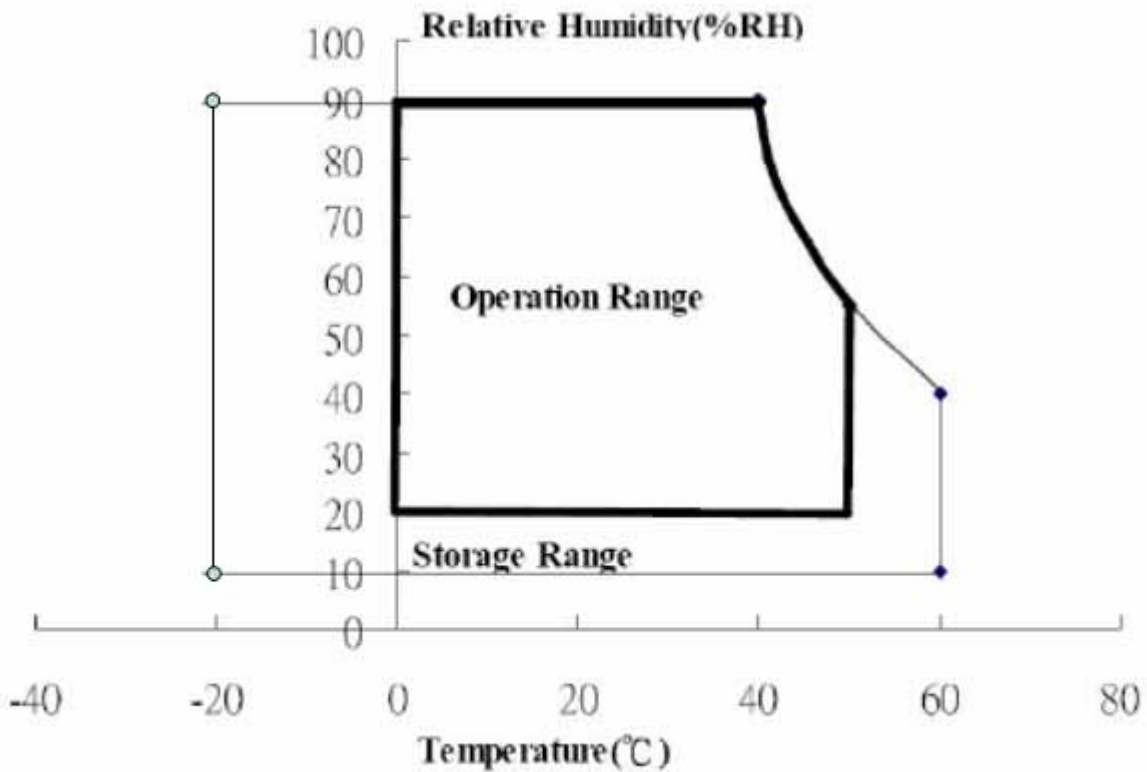
2. Absolute maximum ratings

Parameter	Symbol	Values			Unit	Remark
		Min.	Typ.	Max.		
Power voltage	$V_{CC}$	-0.3	-	6.0	V	At 25°C
Input signal voltage	$V_{LH}$	-0.3	-	4.3	V	At 25°C
Operating temperature	$T_{op}$	0	-	50	°C	Note 1
Storage temperature	$T_{ST}$	-20	-	60	°C	Note 2
CCFL Current	ICFL	2.0	7.5	8.0	[mA]	

Note 1: The relative humidity must not exceed 90% non-condensing at temperatures of 40°C or less.

At temperatures greater than 40°C, the wet bulb temperature must not exceed 39°C.

Note 2: The unit should not be exposed to corrosive chemicals.



## 3. Electrical characteristics

## a. Typical operating conditions

Item		Symbol	Min.	Typ.	Max.	Unit	Remark
Input Voltage		$V_{CC}$	4.5	5	5.5	V	
Permissive Power Input Ripple		$V_{RF}$	-	-	0.15	V	
Input Current	Black	$I_{CC}$	-	700	1000	mA	Note 1
	White	$I_{CC}$	-	500	700		Note 2
	Mosaic	$I_{CC}$	-	700	1000		Note 3
Rush Current		$I_{Rush}$	-	1.6	3	A	Note 4
Logic Input Voltage LVDS: IN+, IN-	Common Mode Voltage	VCM	-	1.2	-	V	
	Differential Input Voltage	VID	100	-	600	mV	
	Threshold Voltage (High)	VTH	-	-	100	mV	Note 5
	Threshold Voltage (Low)	VTL	-100	-	-	mV	Note 5

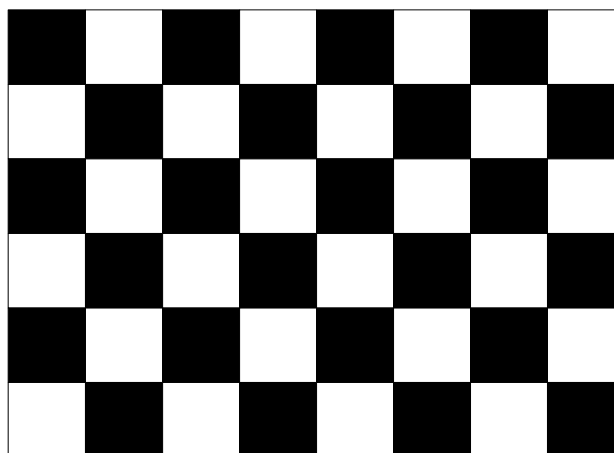
Note 1 : The specified current is under the  $V_{CC} = 5V$ ,  $25\text{ }^{\circ}C$ ,  $f_v = 60Hz$  (frame frequency) condition whereas black pattern is displayed.

Note 2 : The specified current is under the  $V_{CC} = 5V$ ,  $25\text{ }^{\circ}C$ ,  $f_v = 60Hz$  (frame frequency) condition whereas white pattern is displayed.

Note 3 : The specified current is under the  $V_{CC} = 5V$ ,  $25\text{ }^{\circ}C$ ,  $f_v = 60Hz$  (frame frequency) condition whereas mosaic pattern(black & white [8\*6] ) is displayed.

White : 255 Gray

Black : 0 Gray

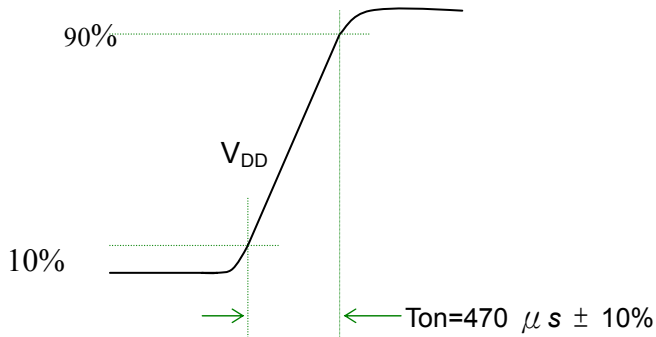




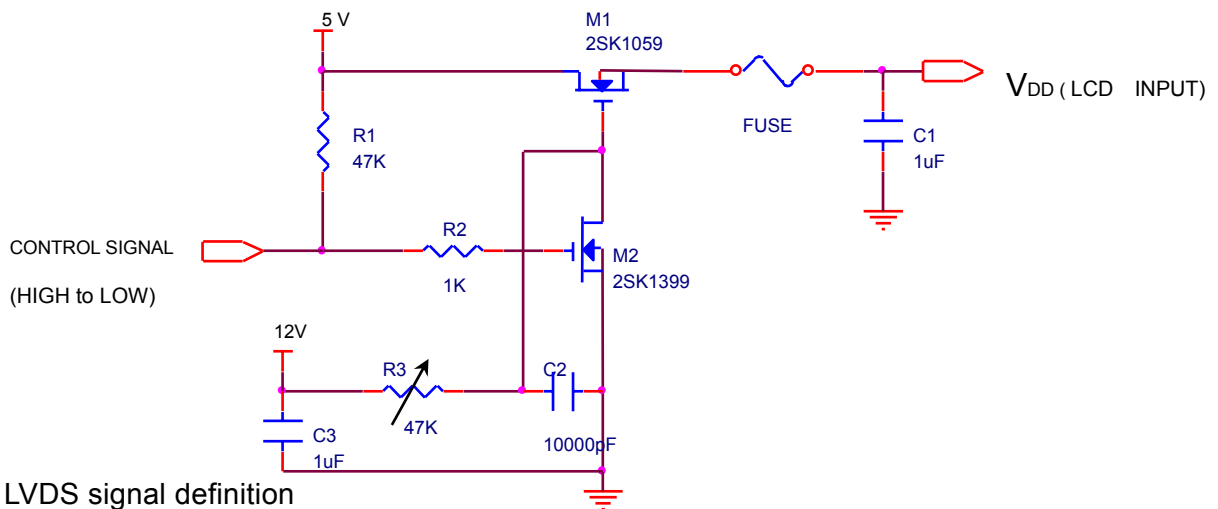
Note 4 : test condition :

(1)  $V_{DD} = 5\text{ V}$ ,  $V_{DD}$  rising time =  $470\ \mu\text{s} \pm 10\%$

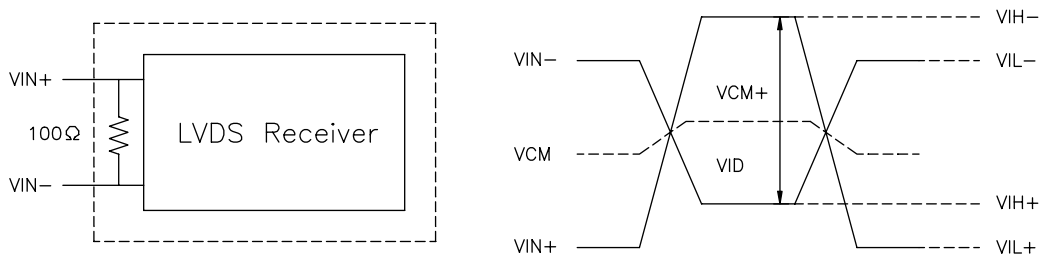
(2) Pattern: Mosaic pattern



(3) Test circuit



Note 5: LVDS signal definition



$VIN_+$  = Positive differential DATA & CLK Input

$VIN_-$  = Negative differential DATA & CLK Input

$VID = VIN_+ - VIN_-$ ,

$\Delta V_{CM} = |V_{CM_+} - V_{CM_-}|$ ,

$\Delta VID = |VID_+ - VID_-|$ ,

$VID_+ = |VIH_- - VIH_-|$ ,

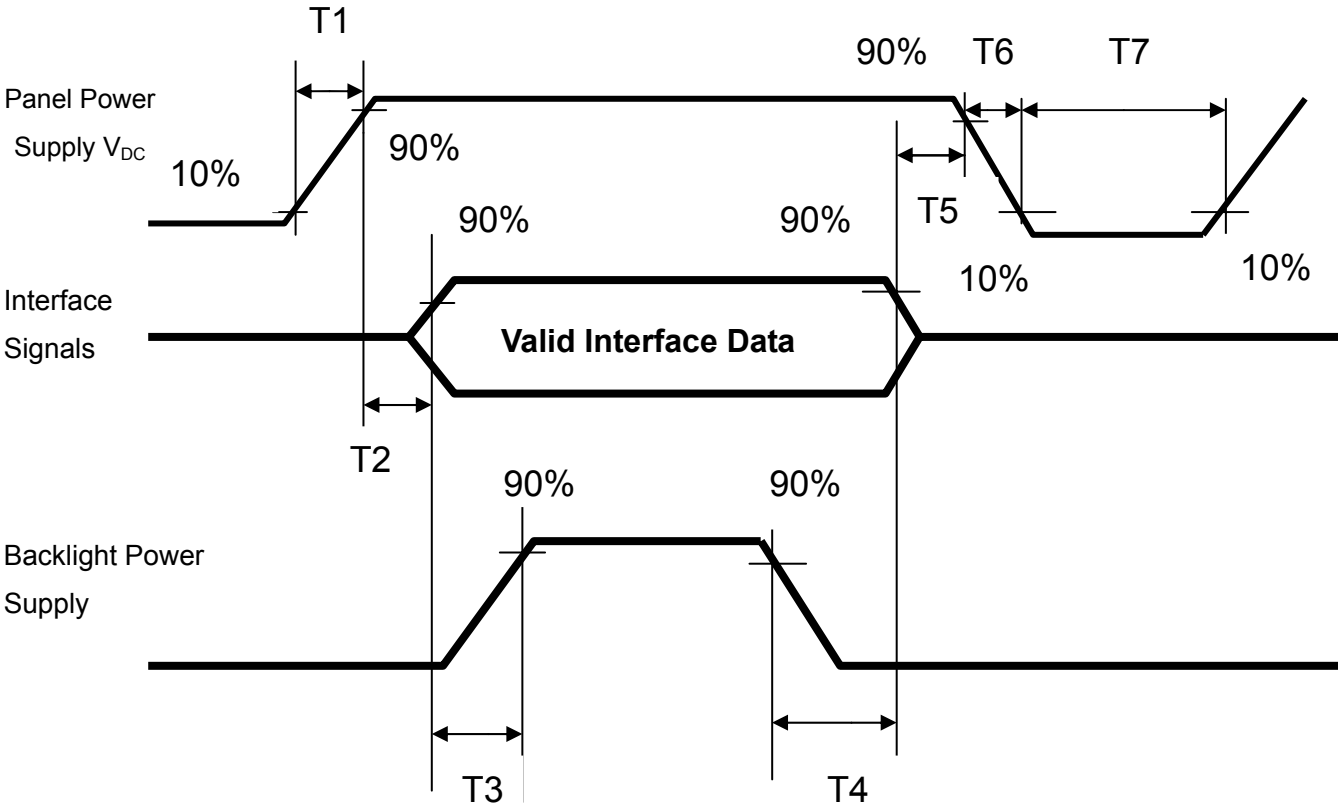
$VID_- = |VIL_+ - VIL_-|$ ,

$V_{CM} = (VIN_+ + VIN_-)/2$ ,

$V_{CM_+} = (VIH_+ + VIH_-)/2$ ,

$V_{CM_-} = (VIL_+ + VIL_-)/2$ ,

Note 6 : Power on sequence for LCD V<sub>DD</sub>



Parameter	Value			Unit
	Min	Typ	Max	
T1	0.1	-	10	ms
T2	0	30	50	ms
T3	200	250	-	ms
T4	100	250	-	ms
T5	0	20	50	ms
T6	0.1	-	-	ms
T7	1000	-	-	ms

b. Display color vs. input data signals

The brightness of each primary color (red, green and blue) is based on the 8-bit gray scale data input for the color; the higher the binary input, the brighter the color. The table below provides a reference for color versus data input.

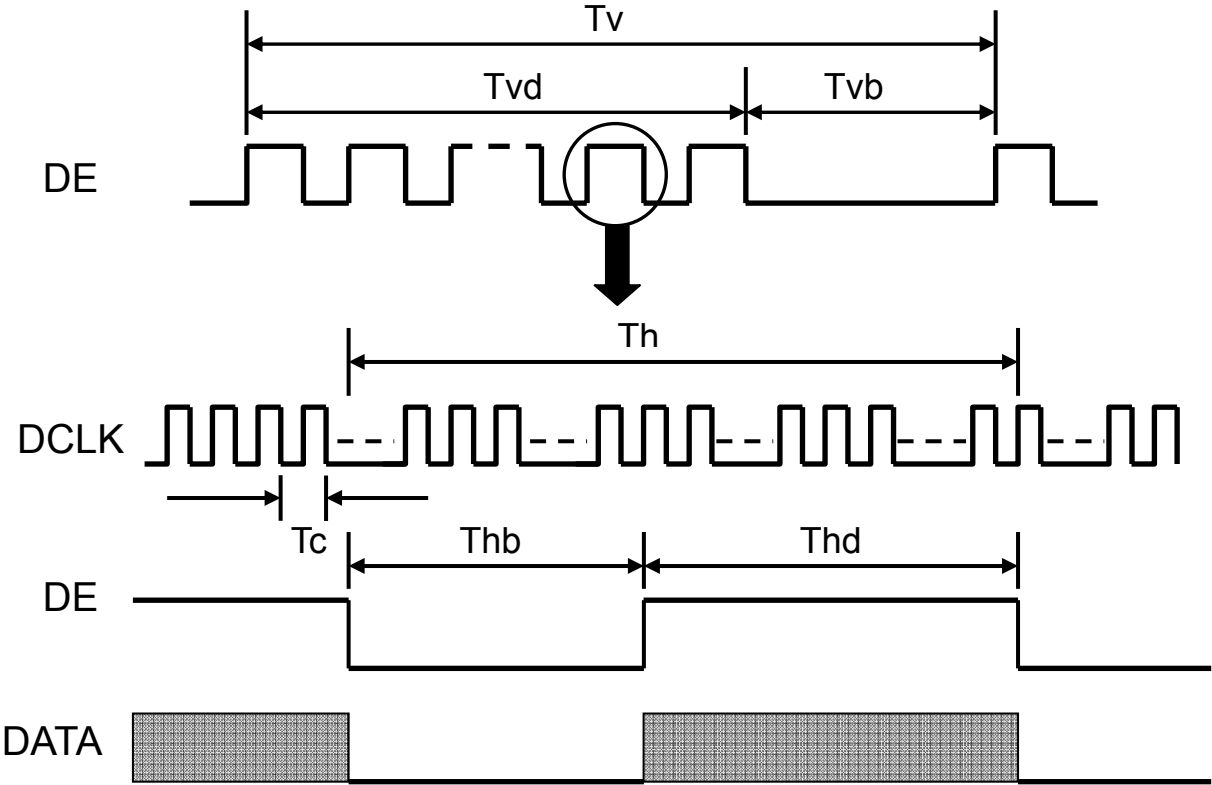
Color	Input color data																							
	Red								Green								Blue							
	MSB				LSB				MSB				LSB				MSB				LSB			
	R7	R6	R5	R4	R3	R2	R1	R0	G7	G6	G5	G4	G3	G2	G1	G0	B7	B6	B5	B4	B3	B2	B1	B0
Basic colors	Black	0	0	0	0	0	0	0	0	0	0	0	0	0	0	0	0	0	0	0	0	0	0	0
	Red(255)	1	1	1	1	1	1	1	0	0	0	0	0	0	0	0	0	0	0	0	0	0	0	0
	Green(255)	0	0	0	0	0	0	0	0	1	1	1	1	1	1	1	0	0	0	0	0	0	0	0
	Blue(255)	0	0	0	0	0	0	0	0	0	0	0	0	0	0	0	1	1	1	1	1	1	1	1
	Cyan	0	0	0	0	0	0	0	0	1	1	1	1	1	1	1	1	1	1	1	1	1	1	1
	Magenta	1	1	1	1	1	1	1	0	0	0	0	0	0	0	0	1	1	1	1	1	1	1	1
	Yellow	1	1	1	1	1	1	1	1	1	1	1	1	1	1	1	0	0	0	0	0	0	0	0
	White	1	1	1	1	1	1	1	1	1	1	1	1	1	1	1	1	1	1	1	1	1	1	1
Red	Red(000) dark	0	0	0	0	0	0	0	0	0	0	0	0	0	0	0	0	0	0	0	0	0	0	
	Red(001)	0	0	0	0	0	0	1	0	0	0	0	0	0	0	0	0	0	0	0	0	0	0	
	Red(002)	0	0	0	0	0	0	1	0	0	0	0	0	0	0	0	0	0	0	0	0	0	0	
	:	:	:	:	:	:	:	:	:	:	:	:	:	:	:	:	:	:	:	:	:	:	:	
	Red(253)	1	1	1	1	1	1	0	1	0	0	0	0	0	0	0	0	0	0	0	0	0	0	
	Red(254)	1	1	1	1	1	1	1	0	0	0	0	0	0	0	0	0	0	0	0	0	0	0	
	Red(255) bright	1	1	1	1	1	1	1	1	0	0	0	0	0	0	0	0	0	0	0	0	0	0	
Green	Green(000)dark	0	0	0	0	0	0	0	0	0	0	0	0	0	0	0	0	0	0	0	0	0	0	
	Green(001)	0	0	0	0	0	0	0	0	0	0	0	0	0	0	1	0	0	0	0	0	0	0	
	Green(002)	0	0	0	0	0	0	0	0	0	0	0	0	0	1	0	0	0	0	0	0	0	0	
	:	:	:	:	:	:	:	:	:	:	:	:	:	:	:	:	:	:	:	:	:	:	:	
	Green(253)	0	0	0	0	0	0	0	1	1	1	1	1	1	0	1	0	0	0	0	0	0	0	
	Green(254)	0	0	0	0	0	0	0	1	1	1	1	1	1	1	0	0	0	0	0	0	0	0	
	Green(255)bright	0	0	0	0	0	0	0	1	1	1	1	1	1	1	1	0	0	0	0	0	0	0	
Blue	Blue(000) dark	0	0	0	0	0	0	0	0	0	0	0	0	0	0	0	0	0	0	0	0	0	0	
	Blue(001)	0	0	0	0	0	0	0	0	0	0	0	0	0	0	0	0	0	0	0	0	0	1	
	Blue(002)	0	0	0	0	0	0	0	0	0	0	0	0	0	0	0	0	0	0	0	0	1	0	
	:	:	:	:	:	:	:	:	:	:	:	:	:	:	:	:	:	:	:	:	:	:	:	
	Blue(253)	0	0	0	0	0	0	0	0	0	0	0	0	0	0	0	1	1	1	1	1	1	0	
	Blue(254)	0	0	0	0	0	0	0	0	0	0	0	0	0	0	0	1	1	1	1	1	1	0	
	Blue(255) bright	0	0	0	0	0	0	0	0	0	0	0	0	0	0	0	1	1	1	1	1	1	1	

c. Input signal timing  
Support Input Timing Table

	Item	Description	Min.	Typ.	Max.	Unit
Clock	Dclk	period	17.24	22.5	27	nS
		frequency	37	44.4	58	MHz
Vertical	$T_{V\_TOTAL}$	V total line number	905	926	942	$T_{H\_TOTAL}$
	$T_{V\_DATA}$	Data duration	—	900	—	$T_{H\_TOTAL}$
	$T_{VB}$	V-blank	5	26	—	$T_{H\_TOTAL}$
	$f_v$	frequency	50	60	75	Hz
Horizontal	$T_{H\_TOTAL}$	H total pixel number	752	800	968	DCIk
	$T_{H\_DATA}$	Data duration	—	720	—	DCIk
	$T_{HB}$	H-blank	32	80	—	DCIk

Note: Because this module is operated by DE only mode, Hsync and Vsync input signals should be set to low Logic level or ground. Otherwise, this module would operate abnormally.

INPUT SIGNAL TIMING DIAGRAM



d. Display Position

D(1, 1)	D(2, 1)	.....	D(720, 1)	.....	D(1439, 1)	D(1440, 1)
D(1, 2)	D(2, 2)	.....	D(720, 2)	.....	D(1439, 2)	D(1440, 2)
⋮		.....	⋮	.....	⋮	⋮
D(1, 450)	D(2, 450)	.....	D(720, 450)	.....	D(1439, 450)	D(1440, 450)
⋮		.....	⋮	.....	⋮	⋮
D(1, 899)	D(2, 899)	.....	D(720, 899)	.....	D(1439, 899)	D(1440, 899)
D(1, 900)	D(2, 900)	.....	D(720, 900)	.....	D(1439, 900)	D(1440, 900)

e. Backlight driving conditions

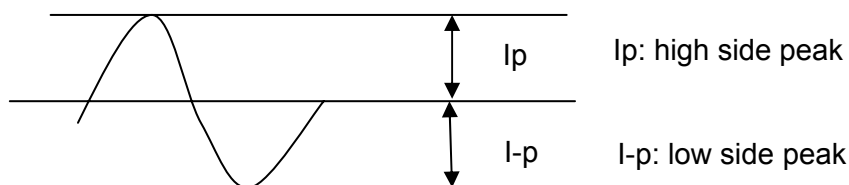
Parameter	Symbol	Min.	Typ.	Max.	Unit	Remark	Remark
Lamp voltage	VL	675	750	825	Vrms		Note 1
Lamp operation current	IL	2.0	7.5	8.0	mArms		Note 2
Lamp starting voltage	VLstart	1450	-	-	Vrms	T = 25°C	Note 3,4,5,6
		1700	-	-		T = 0°C	Note 3,4,5,6
Frequency	F	40	-	60	KHZ		Note 6
Lamp life time		50,000	-	-	Hr		Note 7

Note: The waveform of the voltage output of inverter must be area-symmetric and the design of the inverter must have specifications for the modularized lamp. The performance of the Backlight, such as lifetime or brightness, is greatly influenced by the characteristics of the DC-AC inverter for the lamp. All the parameters of an inverter should be carefully designed to avoid producing too much current leakage from high voltage output of the inverter. When designing or ordering the inverter please make sure that a poor lighting caused by the mismatch of the Backlight and the inverter (miss-lighting, flicker, etc.) never occurs. If the above situation is confirmed, the module should be operated in the same manners when it is installed in your instrument.

Note 1: Lamp voltage is specified under IL = 7.5mArms.

Note 2: The degree of unbalance: less than 10%

The ratio of wave height: less than  $\sqrt{2} \pm 10\%$



The degree of unbalance =  $|Ip-I-p| / Irms * 100(\%)$

The ratio of wave height =  $Ip \text{ (or } I-p) / Irms$

Lamp should be completely turned on.

Note 3: Test equipment: AS-114B

Note 4: The voltage shown above should be applied to the lamp for more than 1 second after startup. Otherwise, the lamp may not be turned on normally.

Note 5: Inverter should provide more than min. value, and then lamp could be completely turned on

Note 6: Lamp frequency may produce interference with horizontal synchronous frequency and this may cause line flow on the display. Therefore lamp frequency shall be detached from the horizontal synchronous frequency and its harmonics as far as possible in order to avoid interference.

Note 7: Life time (Hr) is defined as the time when brightness of a lamp unit itself becomes 50% or less than its original value at the condition of  $T_a = 25 \pm 2^\circ\text{C}$  and  $I_L = 7.5\text{mA rms}$ .

Backlight connector: 3500IHS-02L

Pin no.	Symbol	Function	Remark
1	VIH	Lamp high voltage input	Cable color: Pink
2	VIL	Lamp low voltage input	Cable color: White
3	VIH	Lamp high voltage input	Cable color: Blue
4	VIL	Lamp low voltage input	Cable color: Black

**C. Optical specifications**

Item	Symbol	Condition	Specification			Unit	Remark
			Min.	Typ.	Max.		
Response time	Tr	$\theta = 0^\circ$	-	1.5	4	ms	Note 2
	Tf		-	3.5	6		
	Tr+Tf		-	5	10		
Contrast ratio	CR	$\theta = 0^\circ$	700	1000	-		Note 1,3
Viewing angle	Top	$CR \geq 10$	70	80	-	deg.	Note 1,3,5
	Bottom	$CR \geq 10$	70	80	-		
	Left	$CR \geq 10$	75	85	-		
	Right	$CR \geq 10$	75	85	-		
Brightness (Center)	$Y_L$		200	250	-	Nits	Note 1,4
Color chromaticity(CIE)	$W_x$	$\theta = 0^\circ$	-0.03	0.313	+0.03		Note 1
	$W_y$			0.329			
	$R_x$			0.645			
	$R_y$			0.337			
	$G_x$			0.290			
	$G_y$			0.609			
	$B_x$			0.146			
	$B_y$			0.067			
White uniformity (9)	$\delta_w$		0.75	0.80	-		Note 1,6
Cross talk	Ct		-	-	2%		Note 7

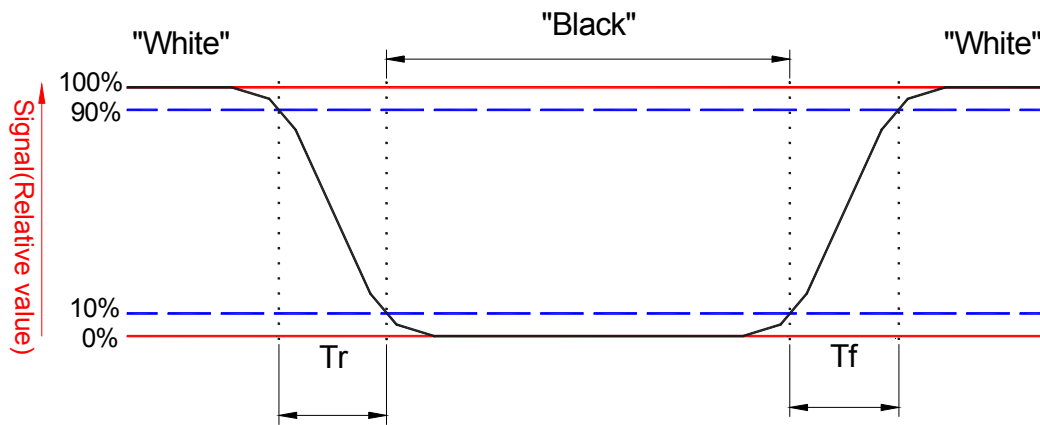
Note : 1 Ambient temperature = 25°C.

2.To be measured in dark room after backlight warm up 30 minutes.

Note 1: To be measured with a viewing cone of 2°by Topcon luminance meter BM-5A.

Note 2: Definition of response time:

The output signals of BM-7 are measured when the input signals are changed from “Black” to “White” (falling time) and from “White” to “Black” (rising time), respectively. The response time interval is between the 10% and 90% of amplitudes. Refer to figure as below.



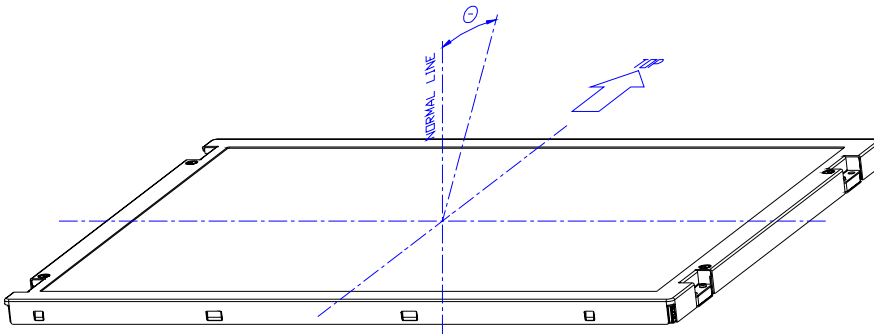
Note 3: Definition of contrast ratio:

Contrast ratio is calculated by the following formula.

$$\text{Contrast ratio (CR)} = \frac{\text{Brightness on the "white" state}}{\text{Brightness on the "black" state}}$$

Note 4: Driving conditions for CCFL:  $I_L = 7.5 \text{ mA}$ , 50 KHz Frequency.

Note 5: Definition of viewing angle

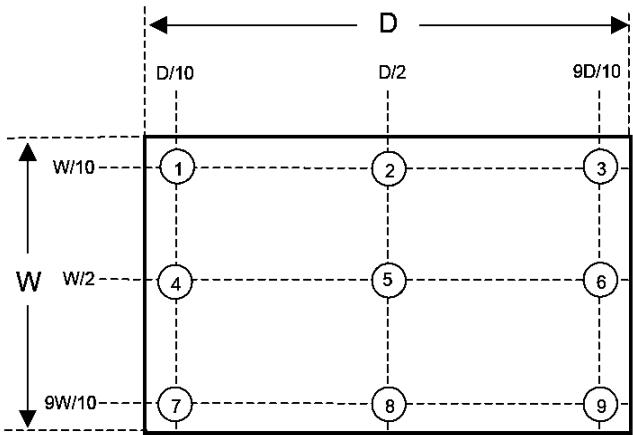


Note 6: Definition white uniformity:

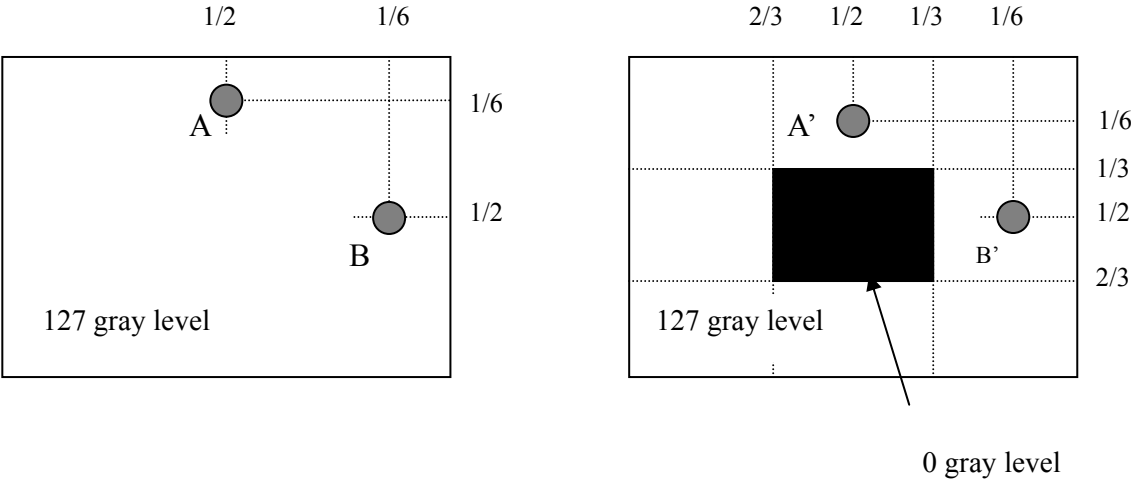
Luminance are measured at the following nine points (P1~P9).

$$\delta_w = \frac{\text{Minimum Brightness of nine points (P1~P9).}}{\text{Maximum Brightness of nine points (P1~P9).}}$$



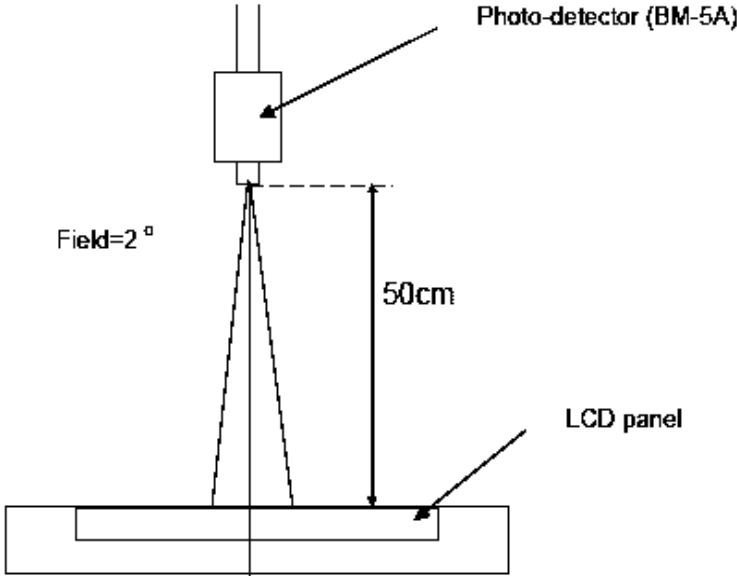


Note 7:



$|L_A - L_{A'}| / L_A \times 100\% = 2\% \text{ max.}$ ,  $L_A$  and  $L_{A'}$  are brightness at location A and A'  
 $|L_B - L_{B'}| / L_B \times 100\% = 2\% \text{ max.}$ ,  $L_B$  and  $L_{B'}$  are brightness at location B and B'

Note 10: Optical characteristic measurement setup.



**D. Reliability test items**

Test Item	Test Condition	Judgment	Remark
High temperature storage	60°C, 240Hrs	Note 1	Note 2
Low temperature storage	-20°C, 240Hrs	Note 1	Note 2
High temperature & high humidity operation	40°C, 90%RH, 240Hrs (No condensation)	Note 1	Note 2
High temperature operation	50°C, 240Hrs	Note 1	Note 2
Low temperature operation	0°C, 240Hrs	Note 1	Note 2
Thermal Shock (non-operation)	-20°C~60°C 1Hr, 1Hr, 100cycles	Note 1	Note 2
Electrostatic discharge (ESD)	Contact: +/-8kV, 150pF(330ohms), 16points 10 times/1 point, 1 time/1 sec Air discharge: +/-15kV, 150pF(330ohms), 9 points, 10 times/1 point, 1 time/1 sec	Note 1	Note 2
Vibration (non-operation)	Vibration level : 1.5G Bandwidth : 10-300Hz Waveform : sine wave, sweep rate : 10min 30 min for each direction X, Y, Z (1.5 Hrs in total)	Note 1	Note 2
Mechanical Shock (non-operation)	Shock level : 50G, 11ms Waveform : Half sine wave Direction : ±X, ±Y, ±Z One time each direction	Note 1	Note 2
MTBF Demonstration	50,000 hours with confidence level 90%	Note 1	Note 3

Note1: Pass: Normal display image with no obvious non-uniformity and no line defect.

Partial transformation of the module parts should be ignored.

Fail: No display image, obvious non-uniformity, or line defects.

Note2: Evaluation should be tested after storage at room temperature for two hours.

Note 3: The MTBF calculation is based on the assumption that the failure rate distribution meets the Exponential Model (CCFL excluded)

## **E. Safety**

### **(1) Sharp Edge Requirements**

There will be no sharp edges or corners on the display assembly that could cause injury.

### **(2) Materials**

#### **a. Toxicity**

There will be no carcinogenic materials used anywhere in the display module. If toxic materials are used, they will be reviewed and approved by the responsible InnoLux Toxicologist.

#### **b. Flammability**

All components including electrical components that do not meet the flammability grade UL94-V1 in the module will complete the flammability rating exception approval process. The printed circuit board will be made from material rated 94-V1 or better. The actual UL flammability rating will be printed on the printed circuit board.

#### **c. Capacitors**

If any polarized capacitors are used in the display assembly, provisions will be made to keep them from being inserted backwards.

## **F. Display quality**

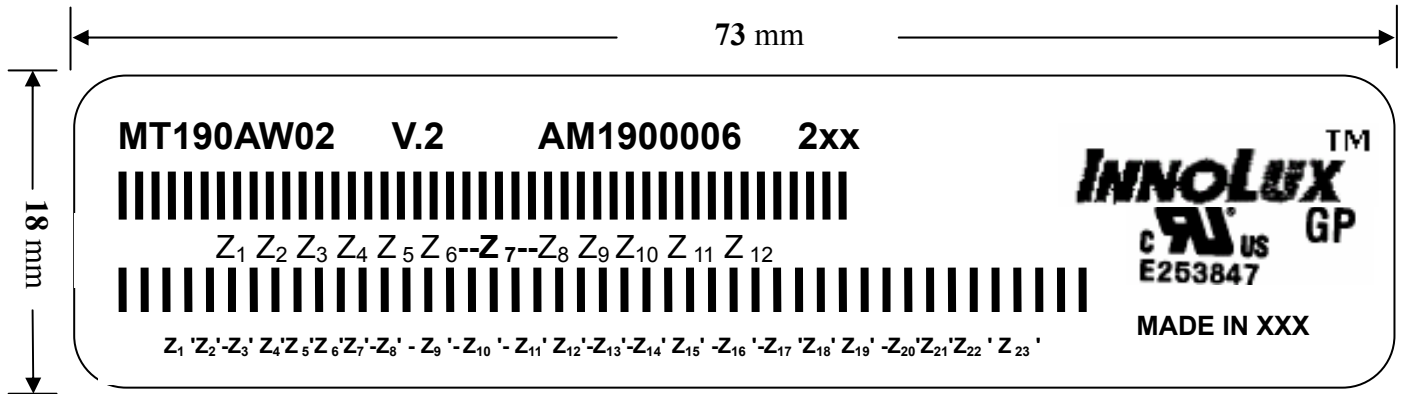
The display quality of the color TFT-LCD module should be in compliance with the Innolux's Incoming inspection standard.

## **G. Handling precaution**

The Handling of the TFT-LCD should be in compliance with the Innolux's handling principle standard.

**H. Label**

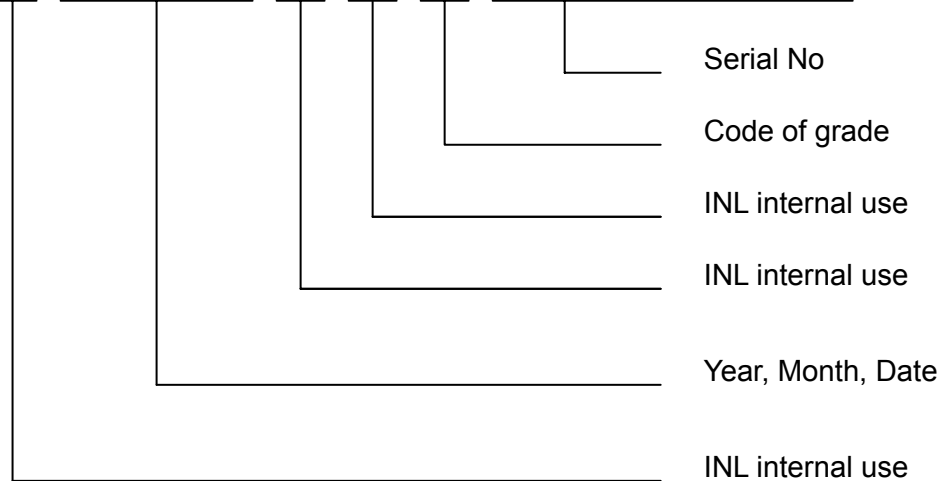
(1) Module Label



(a) Model Number: MT190AW02

(b) Version: V.2

(c) Serial ID I: Z<sub>1</sub> Z<sub>2</sub> Z<sub>3</sub> Z<sub>4</sub> Z<sub>5</sub> Z<sub>6</sub> Z<sub>7</sub> Z<sub>8</sub> Z<sub>9</sub> Z<sub>10</sub> Z<sub>11</sub> Z<sub>12</sub>

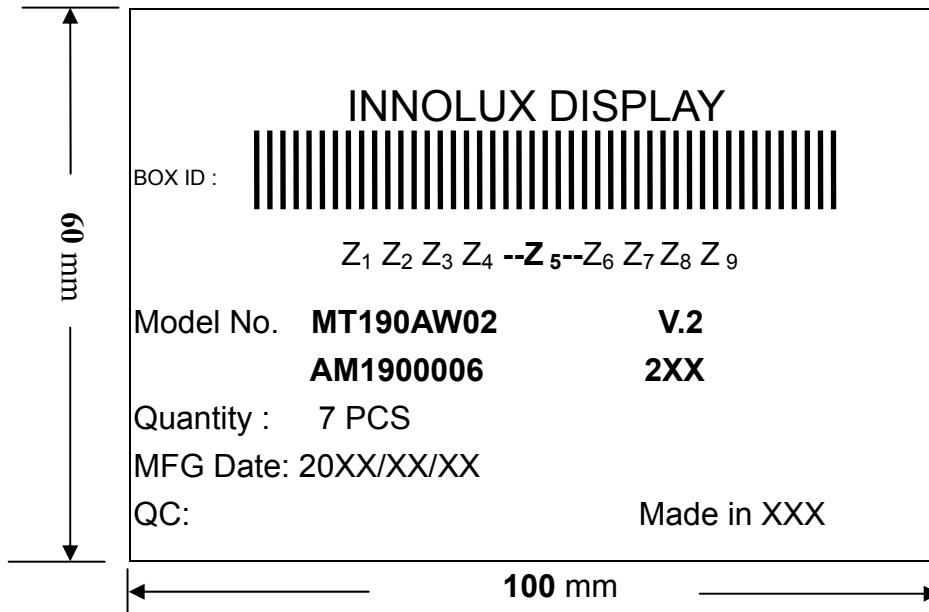


Serial ID includes the information as below:

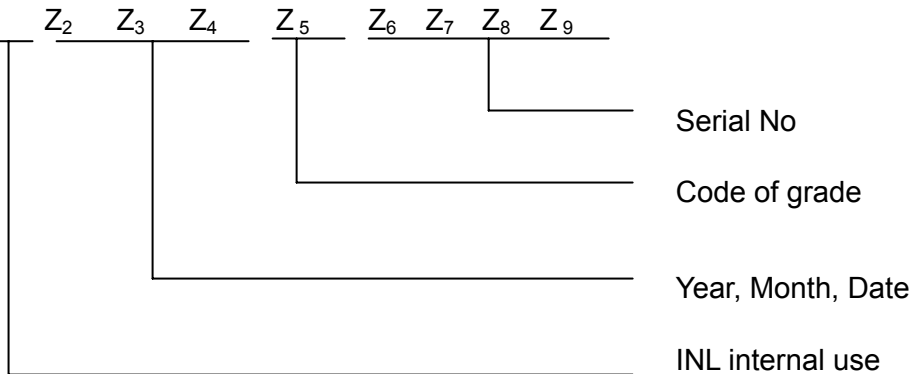
1. Manufactured Date: Year: 0~9, for 2000~2009
2. Month: 1~9 & A~C for Jan.~Dec.
3. Date: 1~9 & A~Z (exclude I, O, Q, U) for 1st~31th
4. Code of grade: 1, 2, 3, 5, E
5. Serial No: Module manufacture sequence no

(d) Serial ID II (INL internal use)

**(2) Carton Label**



- (a) Model Number: MT190AW02
- (b) Version: V.2
- (c) Packing quantity: 7 pcs
- (d) Serial ID: Z<sub>1</sub> Z<sub>2</sub> Z<sub>3</sub> Z<sub>4</sub> Z<sub>5</sub> Z<sub>6</sub> Z<sub>7</sub> Z<sub>8</sub> Z<sub>9</sub>

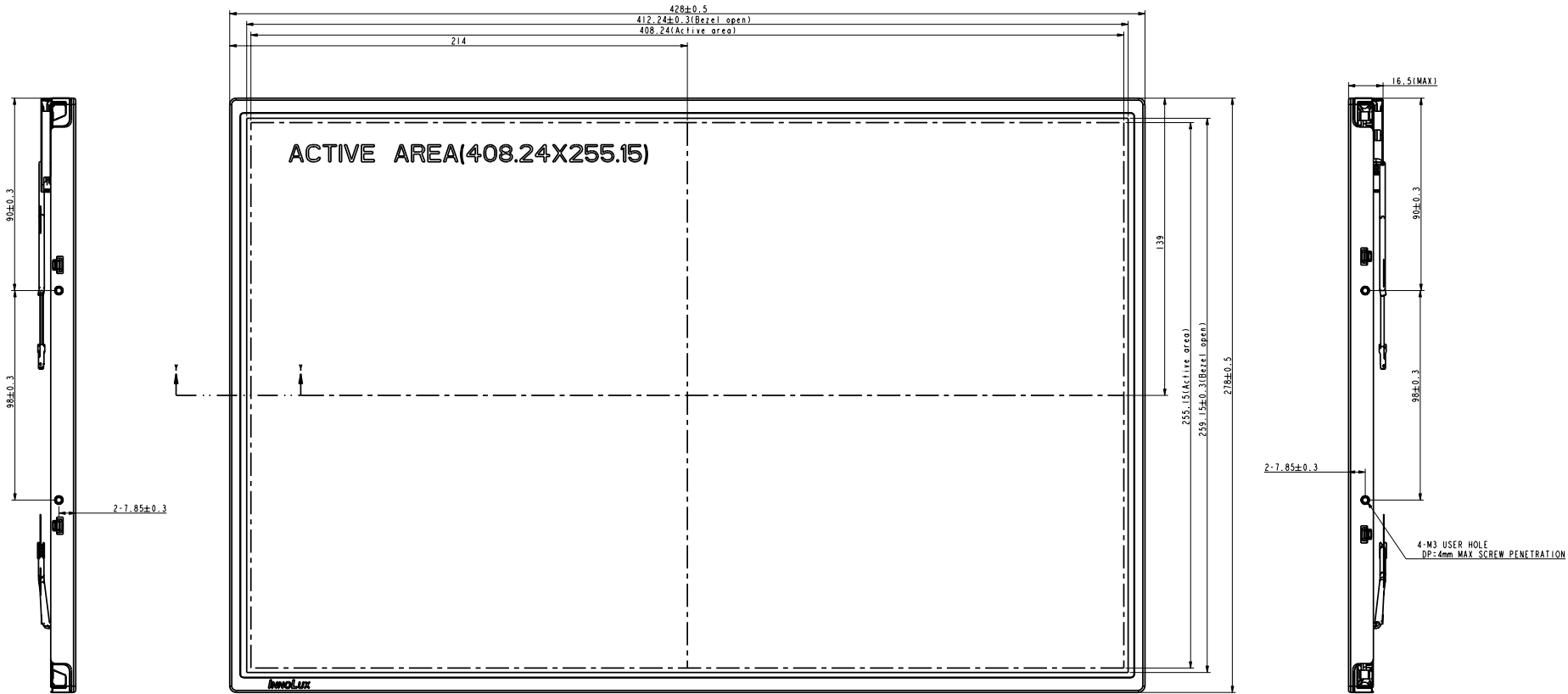


Serial ID includes the information as below:

- (a) Manufactured Date: Year: 0~9, for 2000~2009  
Month: 1~9 & A~C for Jan.~Dec.  
Date: 1~9 & A~Z (exclude I, O, Q, U) for 1st~31th
- (b) Code of grade: 1,2, 3, 5, E
- (c) Serial No: Module packing sequence no

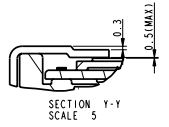
**I. Mechanical drawing**

REV	REV NUMBER	DESCRIPTION	DATE



ACTIVE AREA(408.24X255.15)

SCALE 1

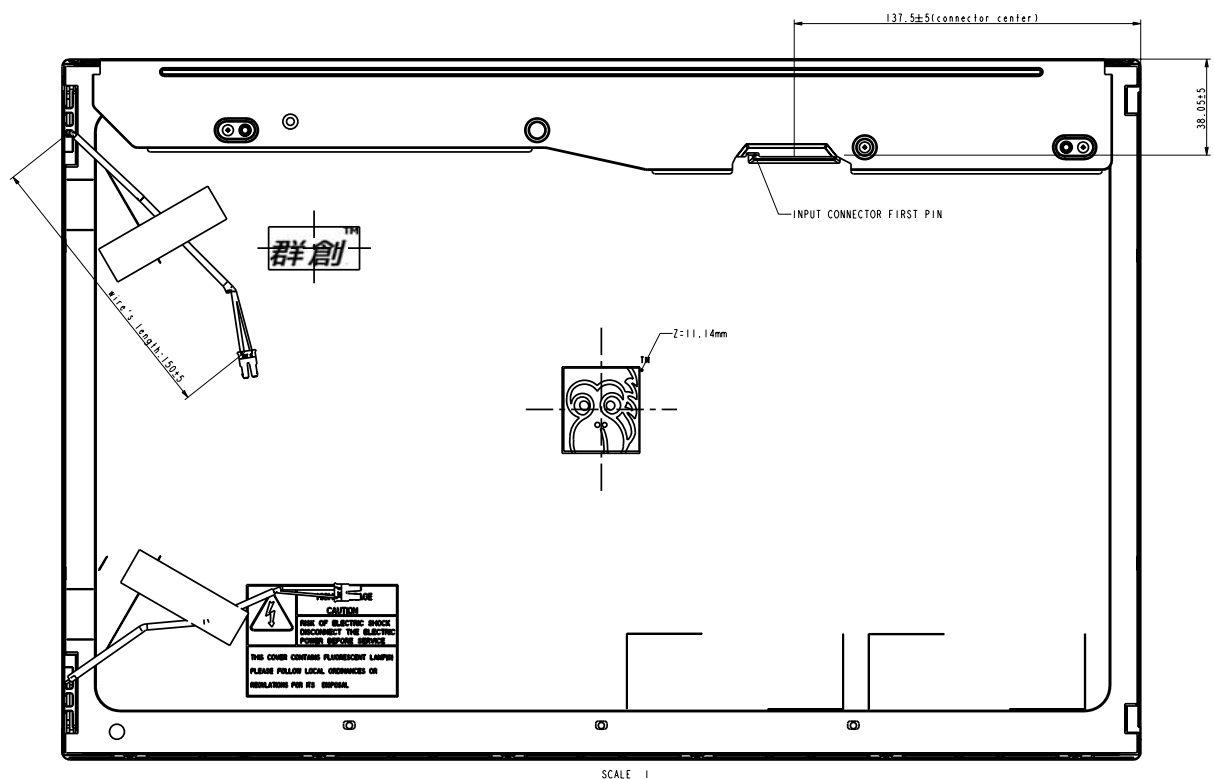


- NOTE:
1. TORQUE OF (4x)M3 USER HOLE BOSS SHOULD BE WITHIN 4 kg-cm AND RESCREW 10 TIMES.
  2. I/F CONNECTOR SPEC:  
JAE FI-XB30SSL-HF15 OR EQUIVALENT
  3. LAMP CONNECTOR SPEC:  
3500IHS-02L OR EQUIVALENT.

NO.	REVISION	DATE	BY	CHECKED	DATE	BY	CHECKED	DATE	BY	CHECKED	DATE
1											
2											
3											
4											
5											
6											
7											
8											
9											
10											
11											
12											
13											
14											
15											
16											
17											
18											
19											
20											

INNOV LUX

REV	REV NUMBER	DESCRIPTION	DATE
1			



SCALE 1

- NOTE:
- TORQUE OF (4x)M3 USER HOLE BOSS SHOULD BE WITHIN 4 kg-cm AND RESCREW 10 TIMES.
  - 1/F CONNECTOR SPEC:  
JAE FI-XB30SSL-HFI5 OR EQUIVALENT
  - LAMP CONNECTOR SPEC:  
3500IHS-02L OR EQUIVALENT.

REV	REV NUMBER	DESCRIPTION	DATE
1			

APPROVED	Jack Chen	2008/12/18	MT190A02_V2
CHECKED	Juan Cheng	2008/12/18	AM190000621X
DESIGNED	Janney Liu	2008/12/18	Module_Assembly_MT190A02_V2

INNOVATION IN OPTICS