



**MODEL NO. :** TM070DDH01-00

**ISSUED DATE:** 2010-11-26

**VERSION :** Ver. 3.0

- Preliminary Specification
- Final Product Specification

**Customer :** \_\_\_\_\_

Approved by	Notes

**SHANGHAI AVIC Confirmed :**

Prepared by	Checked by	Approved by
Olive Yue 2010/11/26	Hyman Chen 2010/11/26	Anfernee Du 2010/11/26

This technical specification is subjected to change without notice



## Table of Contents

Table of Contents .....	2
Record of Revision.....	3
1 General Specifications.....	4
2 Input/Output Terminals .....	5
3 Absolute Maximum Ratings.....	7
4 Electrical Characteristics .....	8
5 Timing Chart.....	11
6 Optical Characteristics .....	15
7 Environmental / Reliability Test.....	18
8 Mechanical Drawing .....	19
9 Packing drawing .....	20
10 Precautions for Use of LCD Modules .....	21

AVICCONFIDENTIAL





## 1 General Specifications

	Feature	Spec
<b>Display Spec.</b>	Size	7.0 inch
	Resolution	1024 RGB (H)×600(V)
	Interface	LVDS 40 Pin
	Color Depth	16.7 M
	Technology Type	a-si TFT
	Pixel Pitch (mm)	0.150×0.150
	Pixel Configuration	RGB stripe
	Display Mode	Normally White
	Surface Treatment(Up Polarizer)	Anti-Glare
	Viewing Direction	12 o'clock
	Gray Scale Inversion Direction	6 o'clock
<b>Mechanical Characteristics</b>	LCM (W x H x D) (mm)	165.75 (W) ×105.39(H)×3.40(D)
	Active Area(mm)	153.6(H)×90.0(V)
	With /Without TSP	Without TSP
	Weight (g)	TBD
	LED Numbers	18 LEDS

Note 1: Viewing direction for best image quality is different from TFT definition. There is a 180 degree shift.

Note 2: Requirements on Environmental Protection: RoHS

Note 3: LCM weight tolerance: +/- 5%



## 2 Input/Output Terminals

### 2.1 CN1 of FPC

Pin No.	Symbol	I/O	function	Remarks
1	VCOM	P	Common Voltage	
2	VDD	P	Power Voltage for digital circuit	
3	VDD	P	Power Voltage for digital circuit	
4	NC	---	No connection	
5	Reset	I	Global reset pin	
6	STBYB	I	Standby mode, Normally pulled high	STBYB="1", Normally operation STBYB="0", Timing controller, source driver will turn off, all output are High-Z
7	GND	P	Ground	
8	RXIN0-	I	- LVDS differential data input	
9	RXIN0+	I	+LVDS differential data input	
10	GND	P	Ground	
11	RXIN1-	I	-LVDS differential data input	
12	RXIN1+	I	+LVDS differential data input	
13	GND	P	Ground	
14	RXIN2-	I	-LVDS differential data input	
15	RXIN2+	I	+LVDS differential data input	
16	GND	P	Ground	
17	RXCLKIN-	I	-LVDS differential clock input	
18	RXCLKIN+	I	+LVDS differential clock input	
19	GND	P	Ground	
20	RXIN3-	I	-LVDS differential data input	
21	RXIN3+	I	+LVDS differential data input	
22	GND	P	Ground	
23	NC	---	No connection	
24	NC	---	No connection	
25	GND	P	Ground	
26	NC	---	No connection	
27	NC	---	No connection	
28	VDD	I	VDD	
29	AVDD	P	Power for Analog Circuit	
30	GND	P	Ground	
31	LED-	P	LED Cathode	
32	LED-	P	LED Cathode	
33	LED-	P	LED Cathode	
34	VGL	P	Gate OFF Voltage	
35	NC	---	No connection	
36	NC	---	No connection	
37	VGH	P	Gate ON Voltage	
38	LED+	P	LED Anode	

The information contained herein is the exclusive property of SHANGHAI AVIC OPTOELECTRONICS Corporation, and shall not be distributed, reproduced, or disclosed in whole or in part without prior written permission of SHANGHAI AVIC OPTOELECTRONICS Corporation.



39	LED+	P	LED Anode	
40	LED+	P	LED Anode	

Note: I/O definition.

I---Input pin, O---Output pin, P--- Power/Ground, N--- No Connection

2.2 U/D R/L Function Description

Scan Control Input		Scanning Direction
UPDN	SHLR	
GND	VDD	Up to Down, Left to Right
VDD	GND	Down to Up, Right to Left
GND	GND	Up to Down, Right to Left
VDD	VDD	Down to Up, Left to Right

AVIC CONFIDENTIAL



### 3 Absolute Maximum Ratings

AGND= GND=0V, Ta = 25°C

Item	Symbol	Min	Max	Unit	Remark
Power Voltage	VDD	-0.3	5.0	V	
	AVDD	6.5	13.5	V	
	VGH	-0.3	20.0	V	
	VGL	-20.0	0.3	V	
Backlight Forward Current	I <sub>LED</sub>	-	20	mA	For each LED
Operating Temperature	T <sub>OPR</sub>	-20	60	°C	
Storage Temperature	T <sub>STG</sub>	-30	70	°C	



## 4 Electrical Characteristics

### 4.1 Recommended Operating Condition

AGND=GND=0V, Ta = 25°C

Item	Symbol	Min	Typ	Max	Unit	Remark
Digital Supply Voltage	VDD	3.0	3.3	3.6	V	
Analog Supply Voltage	AVDD	10.8	11.0	11.2	V	
Gate On Voltage	VGH	19.7	20.0	20.3	V	
Gate Off Voltage	VGL	-6.5	-6.8	-7.1	V	
Common Electrode Driving Signal	VCOM	(3.7)	(3.8)	(3.9)	V	

Note: The value is for design stage only.

AVICCONFIDENTIAL





### 4.2 Recommended Driving Condition for Backlight

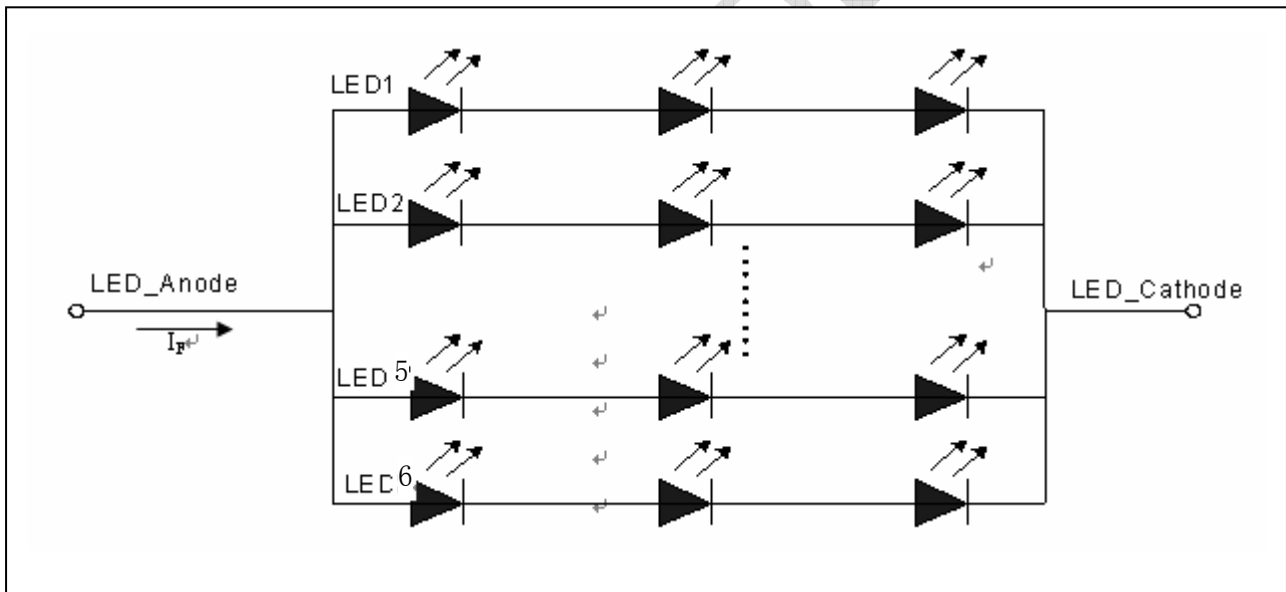
Ta=25°C

Item	Symbol	Min	Typ	Max	Unit	Remark
Forward Current	$I_F$	-	20	-	mA	18 LEDs (3 LED Serial, 6 LED Parallel)
Forward Voltage	$V_F$	-	(9.9)	-	V	
Operating Life Time	-	20,000	-	-	Hrs	

Note1: The LED driving condition is defined for each LED module (3 LED Serial, 6 LED Parallel). For each LED:  $I_F (1/6) = 20\text{mA}$ ,  $V_F (1/3) = 3.3\text{V}$ .

Note2: Under LCM operating, the stable forward current should be inputted. And forward voltage is for reference only.

Note3:  $I_F$  is defined for one channel LED. Optical performance should be evaluated at Ta=25°C only. If LED is driven by high current, high ambient temperature & humidity condition. The life time of LED will be reduced. Operating life means brightness goes down to 50% initial brightness. Typical operating life time is estimated data.



Note4: The LED driving condition is defined for each LED module.

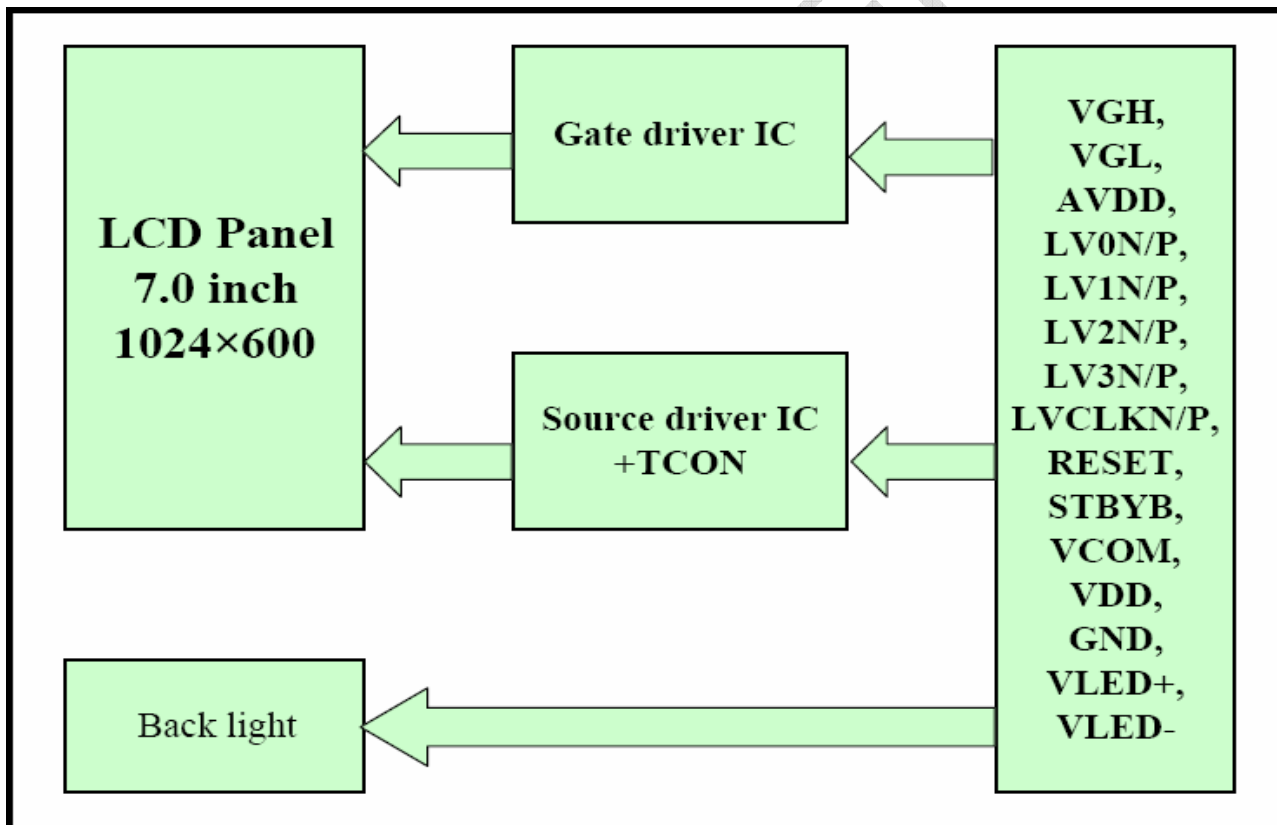


### 4.3 Power Consumption

AGND=GND=0V, Ta = 25°C

Item	Symbol	Condition	Min	Typ	Max	Unit	Remark
Digital Supply Current	$I_{VDD}$	VDD=3.3 V	-	-	60	mA	
Analog Supply Current	$I_{AVDD}$	AVDD=11.0 V	-	--	30	mA	
Gate On Current	$I_{VGH}$	VGH=20.0 V	-	--	1.0	mA	
Gate Off Current	$I_{VGL}$	VGL=-6.8 V	-	--	1.0	mA	
Power Consumption	Panel&Gamma		-	TBD	TBD	mW	
	Backlight		-	(1.2)	-	W	
	Total		-	TBD	TBD	W	

### 4.4 Block Diagram



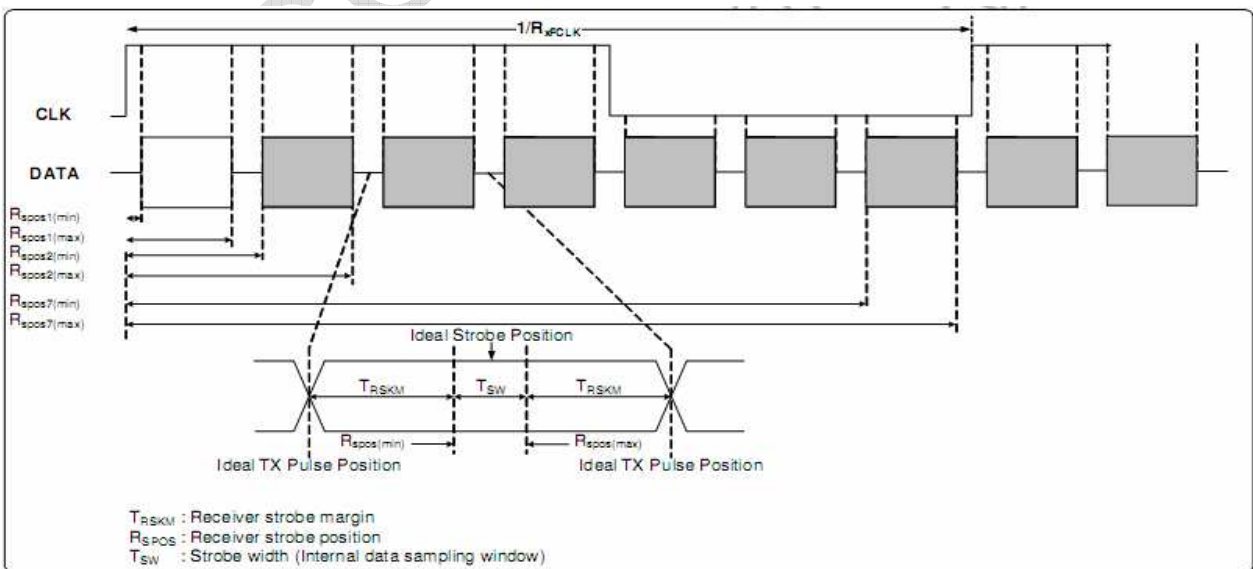
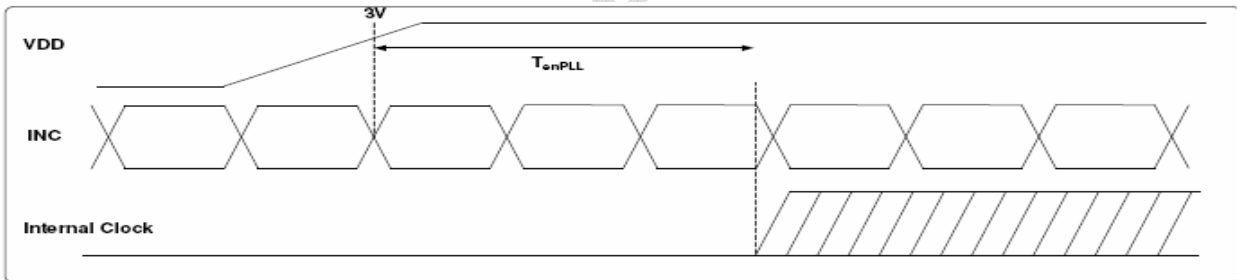
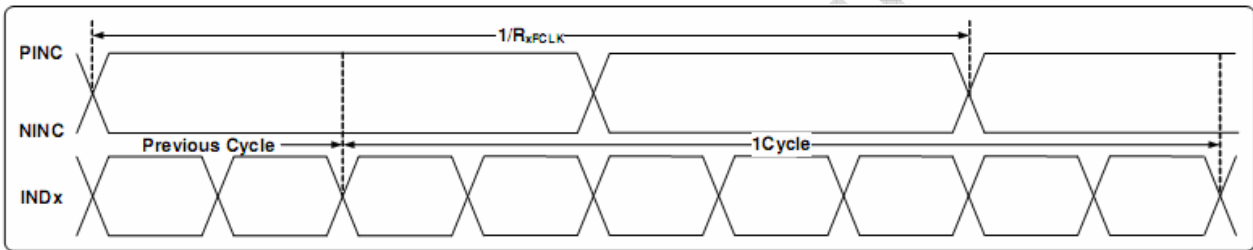


## 5 Timing Chart

### 5.1 AC Electrical Characteristics

Parameter	Symbol	Min	Typ	Max	Unit	Conditions
Clock Frequency	$R_{xFCLK}$	40.8	51.2	71	MHz	
Input data skew margin	$T_{RSKM}$	500	-	-	ps	
Clock high time	$T_{LVCH}$	-	$4/(7 * R_{xFCLK})$	-	ns	
Clock low time	$T_{LVCL}$	-	$3/(7 * R_{xFCLK})$	-	ns	
PLL wake-up time	$T_{enPLL}$	-	-	150	us	

### 5.2 Input Clock and Data Timing Diagram:



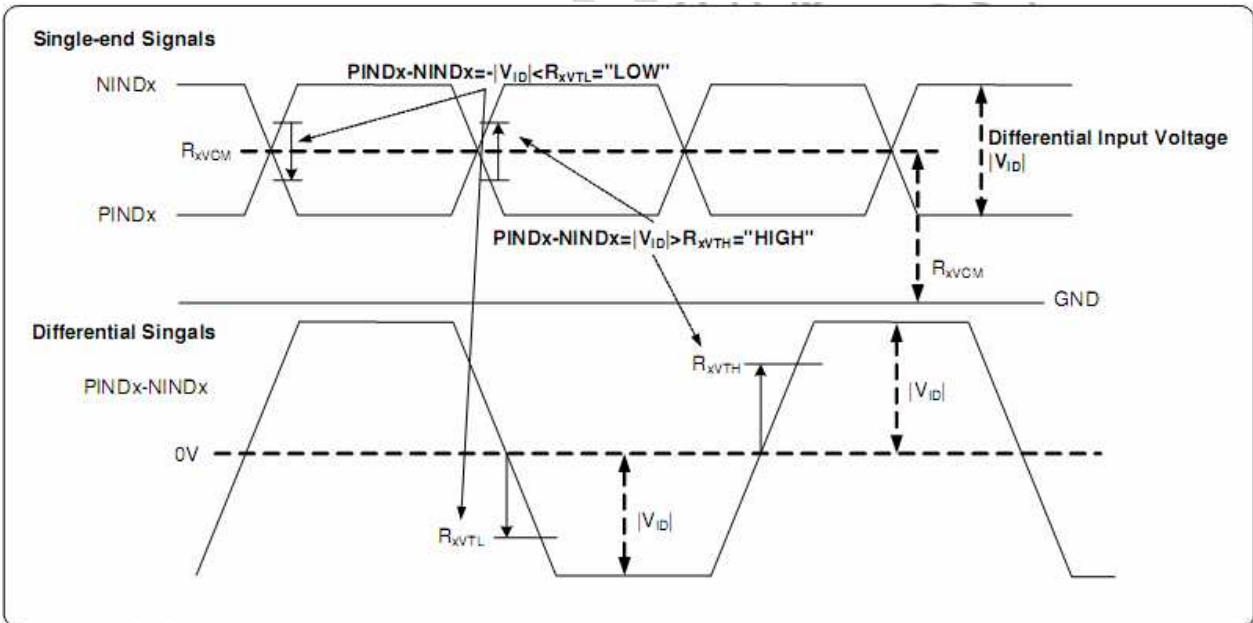
The information contained herein is the exclusive property of SHANGHAI AVIC OPTOELECTRONICS Corporation, and shall not be distributed, reproduced, or disclosed in whole or in part without prior written permission of SHANGHAI AVIC OPTOELECTRONICS Corporation.



5.3 DC Electrical Characteristics

VDD=3.3V, AVDD=11V, AGND=GND=0V, Ta=25°C

Parameter	Symbol	Min	Typ	Max	Unit	Remark
Differential input high Threshold voltage	$R_{XVTH}$	-	-	+0.1	V	
Differential input Low Threshold voltage	$R_{XVTL}$	-0.1	-	-	V	
Input voltage range	$R_{XVIN}$	0	-	$VDD-1.2+ V_{ID} /2$	V	
Differential input common Mode voltage	$R_{XVCM}$	$ V_{ID} /2$	-	$VDD-1.2$	V	
Differential input voltage	$ V_{ID} $	0.2	v	0.6	V	
Differential input leakage Current	$R_{V_{XlIZ}}$	-10	v	+10	uA	
LVDS Digital Operating Current	Iddlvs	-	(15)	(30)	mA	Fclk=65MHz,VDD=3.3V
LVDS Digital Stand-by Current	Istlvs	-	(10)	(50)	uA	Clock & all functions are stopped

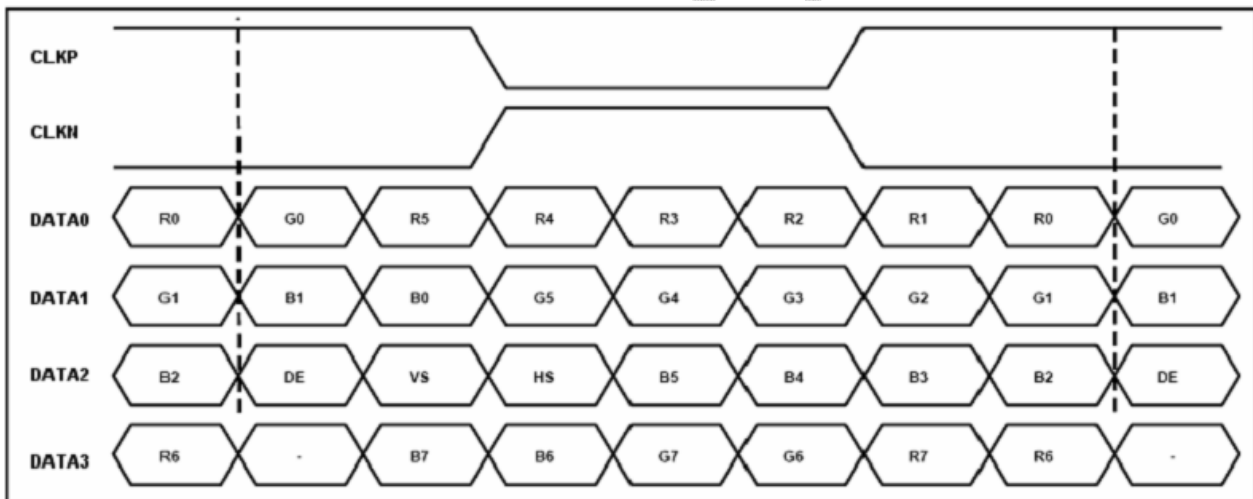




### 5.4 Timing

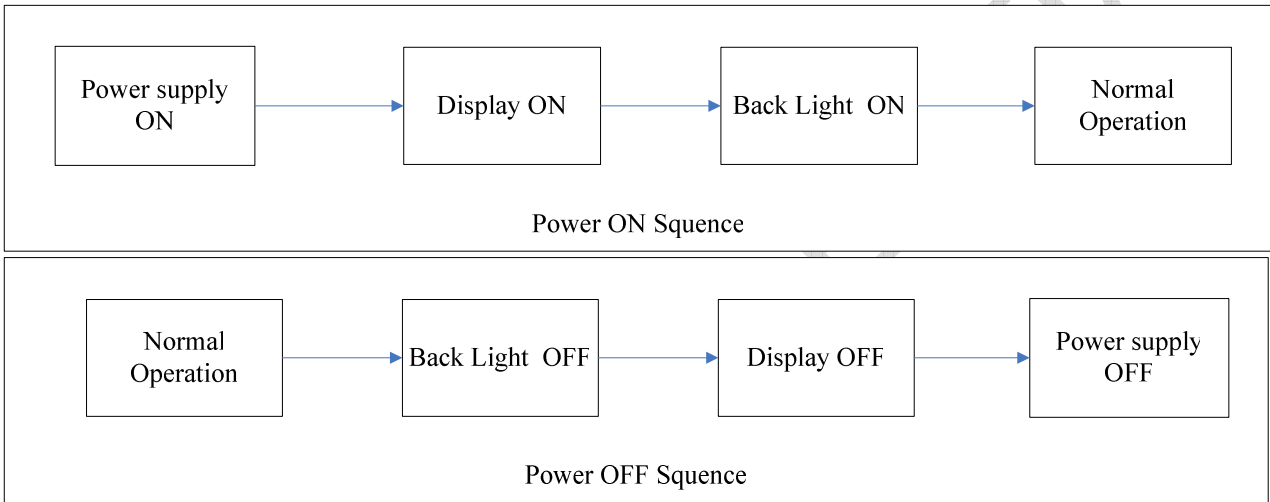
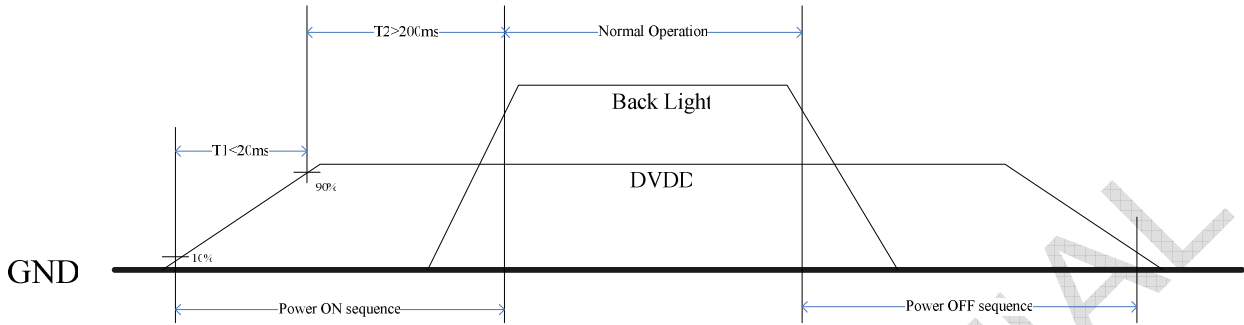
Parameter	Symbol	Min	Typ	Max	Unit	Remark
Clock frequency	fclk	40.8	51.2	67.2	MHz	Frame rate=60Hz
Horizontal display area	thd	1024			DCLK	
HS period time	th	1114	1344	1400	DCLK	
HS Blanking	thbp+thfp	90	320	376	DCLK	
Vertical display area	tvd	600			H	
VS period time	tv	610	635	800	H	
VS Blanking	tvbp+tvfp	10	35	200	H	

### 5.5 Data Input Format





### 5.6 POWER ON/OFF SEQUENCE





## 6. Optical Characteristics

Ta=25°C

Item	Symbol	Condition	Min	Typ	Max	Unit	Remark
View Angles	$\theta_T$	CR $\geq$ 10	-	70	-	Degree	Note 2
	$\theta_B$		-	75	-		
	$\theta_L$		-	75	-		
	$\theta_R$		-	75	-		
Contrast Ratio	CR	$\theta=0^\circ$	TBD	(500)	-		Note1 Note3
Response Time	T <sub>ON</sub>	25°C	-	20	TBD	ms	Note1
	T <sub>OFF</sub>		Note4				
Chromaticity	White	Backlight is on	x	0.26	0.31	0.36	Note1 Note5
			y	0.28	0.33	0.38	
	Red		x	-	TBD	-	
			y	-	TBD	-	
	Green		x	-	TBD	-	
			y	-	TBD	-	
	Blue		x	-	TBD	-	
			y	-	TBD	-	
Uniformity	U		-	75	-	%	Note1 Note6
NTSC			-	50	-	%	Note 5
Luminance	L		TBD	250	-	cd/m <sup>2</sup>	Note1 Note7

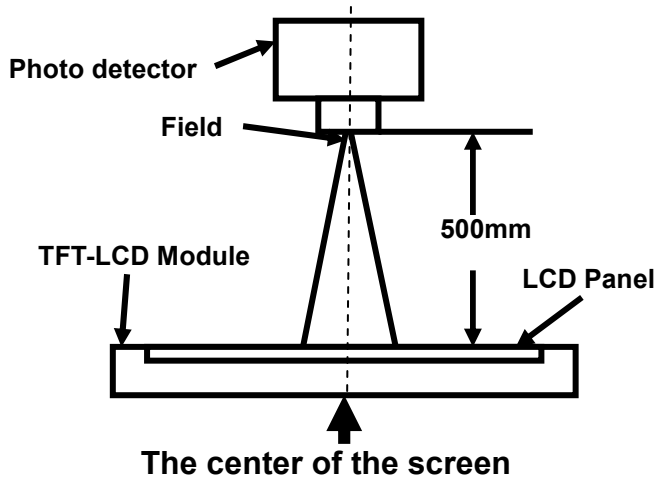
Test Conditions:

1. I<sub>F</sub>= 20 mA, V<sub>F</sub>=9.9 V and the ambient temperature is 25°C.
2. The test systems refer to Note 1 and Note 2.



Note 1: Definition of optical measurement system.

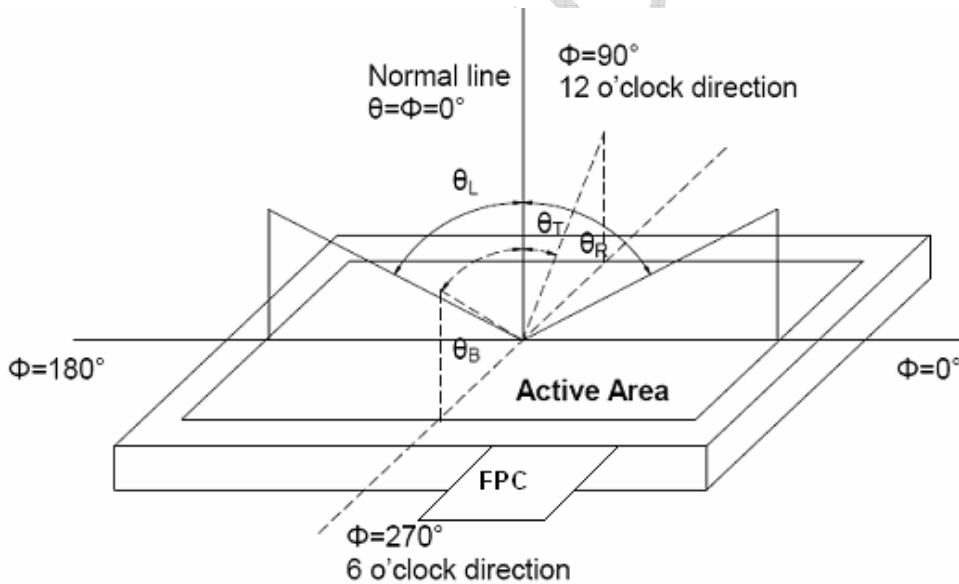
The optical characteristics should be measured in dark room. After 5 Minutes operation, the optical properties are measured at the center point of the LCD screen. All input terminals LCD panel must be ground when measuring the center area of the panel.



Item	Photo detector	Field
Contrast Ratio	BM-5A	1°
Luminance		
Lum Uniformity		
Chromaticity	SR-3A	
Response Time	TRD100	-

Note 2: Definition of viewing angle range and measurement system.

viewing angle is measured at the center point of the LCD by CONOSCOPE(ergo-80).



Note 3: Definition of contrast ratio

$$\text{Contrast ratio (CR)} = \frac{\text{Luminance measured when LCD is on the "White" state}}{\text{Luminance measured when LCD is on the "Black" state}}$$

“White state “: The state is that the LCD should drive by  $V_{white}$ .

“Black state”: The state is that the LCD should drive by  $V_{black}$ .

$V_{white}$ : To be determined     $V_{black}$ : To be determined.

Note 4: Definition of Response time

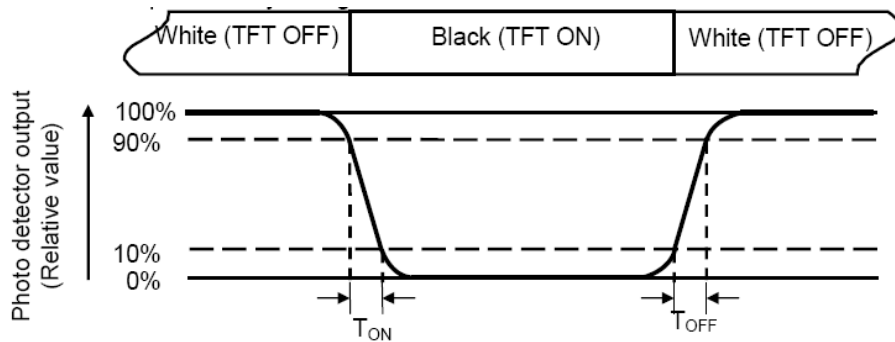
The response time is defined as the LCD optical switching time interval between “White” state and

The information contained herein is the exclusive property of SHANGHAI AVIC OPTOELECTRONICS Corporation, and shall not be distributed, reproduced, or disclosed in whole or in part without prior written permission of SHANGHAI AVIC OPTOELECTRONICS Corporation.





“Black” state. Rise time ( $T_{ON}$ ) is the time between photo detector output intensity changed from 90% to 10%. And fall time ( $T_{OFF}$ ) is the time between photo detector output intensity changed from 10% to 90%.



Note 5: Definition of color chromaticity (CIE1931)

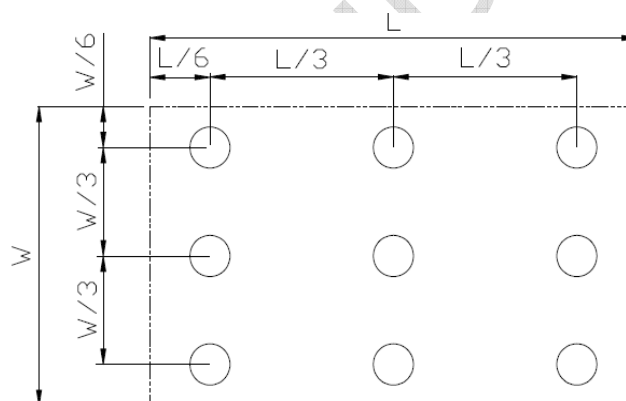
Color coordinates measured at center point of LCD.

Note 6: Definition of Luminance Uniformity

Active area is divided into 9 measuring areas (Refer Fig. 2). Every measuring point is placed at the center of each measuring area.

$$\text{Luminance Uniformity (U)} = L_{\min} / L_{\max}$$

L-----Active area length W----- Active area width



$L_{\max}$ : The measured Maximum luminance of all measurement position.

$L_{\min}$ : The measured Minimum luminance of all measurement position.

Note 7: Definition of Luminance:

Measure the luminance of white state at center point.

**7. Environmental / Reliability Test**

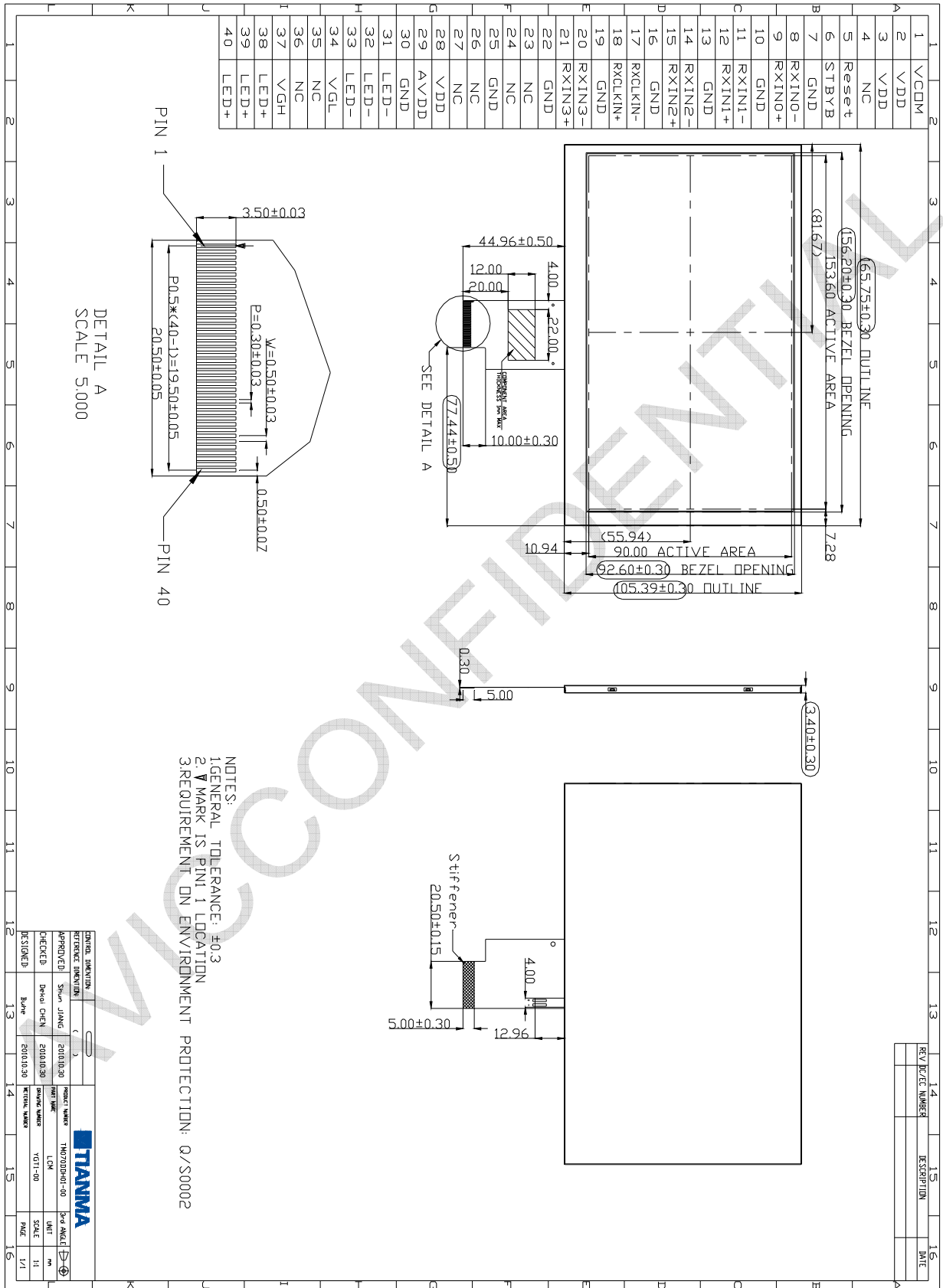
No	Test Item	Condition	Remarks
1	High Temperature Operation	Ts = +70°C, 240 hours	IEC60068-2-1:2007 GB2423.2-2008
2	Low Temperature Operation	Ta = -20°C, 240 hours	IEC60068-2-1:2007 GB2423.1-2008
3	High Temperature Storage	Ta = +80°C, 240 hours	IEC60068-2-1:2007 GB2423.2-2008
4	Low Temperature Storage	Ta = -30°C, 240 hours	IEC60068-2-1:2007 GB2423.1-2008
5	Storage at High Temperature and Humidity	Ta = +60°C, 90% RH max,240hours	IEC60068-2-78 :2001 GB/T2423.3—2006
6	Thermal Shock (non-operation)	-30°C 30 min~+80°C 30 min, Change time:5min, 20 Cycle	Start with cold temperature, End with high temperature, IEC60068-2-14:1984,G B2423.22-2002
7	ESD	C=150pF,R=330Ω,5point/panel Air:±8Kv,5times; Contact:±4Kv,5times (Environment:15°C~35°C, 30%~60%.86Kpa~106Kpa)	IEC61000-4-2:2001 GB/T17626.2-2006
8	Vibration Test	Frequency range:10~55Hz Stroke:1.5mm Sweep:10Hz~55Hz~10Hz 2 hours for each direction of X.Y.Z. (6 hours for total)	IEC60068-2-6:1982 GB/T2423.10—1995
9	Mechanical Shock (Non Op)	Half Sine Wave 60G 6ms, ±X,±Y,±Z 3times for each direction	IEC60068-2-27:1987 GB/T2423.5—1995
10	Package Drop Test	Height:80cm, 1corner,3edges,6surfaces	IEC60068-2-32:1990 GB/T2423.8—1995

Note1: Ts is the temperature of panel's surface.

Note2: Ta is the ambient temperature of samples.



### 8. Mechanical Drawing

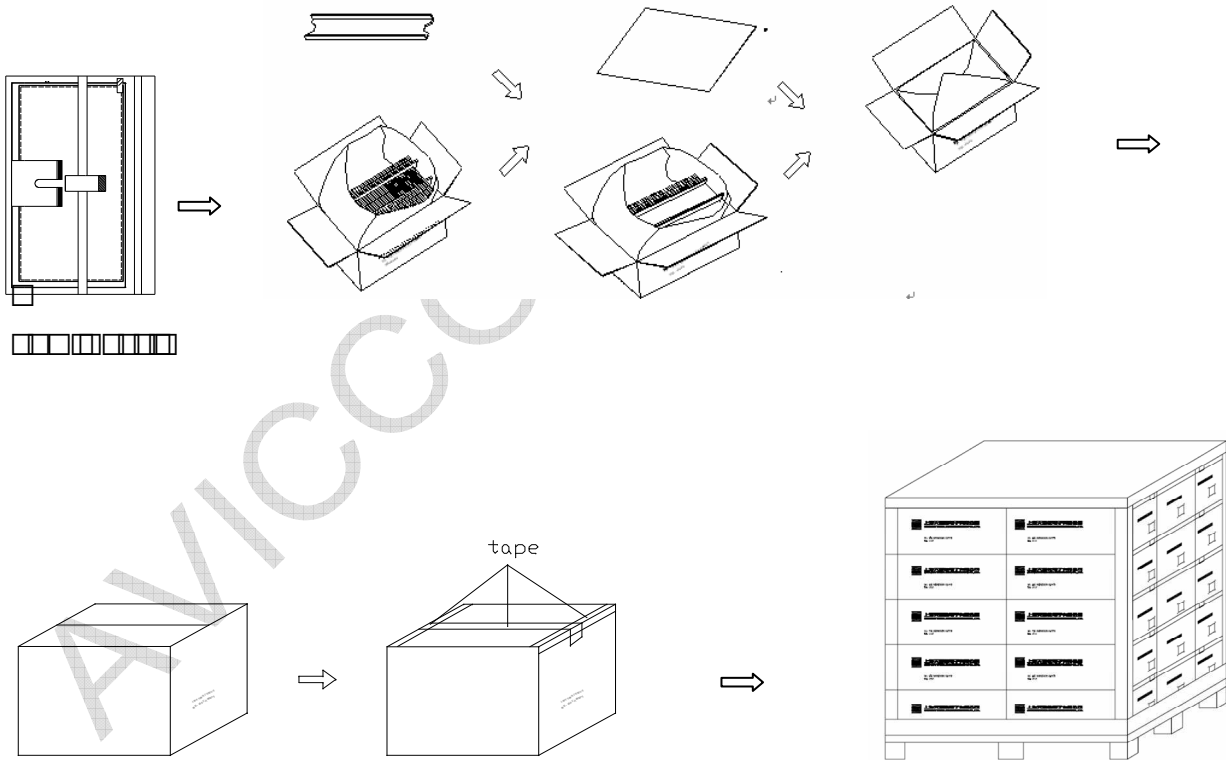


The information contained herein is the exclusive property of SHANGHAI AVIC OPTOELECTRONICS Corporation, and shall not be distributed, reproduced, or disclosed in whole or in part without prior written permission of SHANGHAI AVIC OPTOELECTRONICS Corporation.



### 9. Packing drawing

NO	Item	Model (material)	Dimensions(mm)	Unit Weight(Kg)	Quantity	Remark	
1	LCM Module	TM070DDH01-00	165.75×105.39×3.40	TBD	50		
2	Partition_1	Corrugated paper	513×333×215	1.571	1		
3	Anti-static Bag	PE	180×160×0.05	0.001	50	Anti-static	
4	Dust-Proof Bag	PE	700×530	0.06	1		
5	Partition_2	Corrugated Paper	505×332×4.0	0.098	2		
6	Corrugated Bar	Corrugated Paper	513×146×19.5	0.057	4		
7	Carton	Corrugated Paper	530×350×250	1.12	1		
8	Model Label		35×15	0.001	1		
9	Total Weight	TBD±5%					





## 10. Precautions for Use of LCD Modules

### 10.1 Handling Precautions

10.1.1 The display panel is made of glass. Do not subject it to a mechanical shock by dropping it from a high place, etc.

10.1.2 If the display panel is damaged and the liquid crystal substance inside it leaks out, be sure not to get any in your mouth, if the substance comes into contact with your skin or clothes, promptly wash it off using soap and water.

10.1.3 Do not apply excessive force to the display surface or the adjoining areas since this may cause the color tone to vary.

10.1.4 The polarizer covering the display surface of the LCD module is soft and easily scratched. Handle this polarizer carefully.

10.1.5 If the display surface is contaminated, breathe on the surface and gently wipe it with a soft dry cloth. If still not completely clear, moisten cloth with one of the following solvents:

- Isopropyl alcohol
- Ethyl alcohol

Solvents other than those mentioned above may damage the polarizer. Especially, do not use the following:

- Water
- Ketone
- Aromatic solvents

10.1.6 Do not attempt to disassemble the LCD Module.

10.1.7 If the logic circuit power is off, do not apply the input signals.

10.1.8 To prevent destruction of the elements by static electricity, be careful to maintain an optimum work environment.

10.1.8.1 Be sure to ground the body when handling the LCD Modules.

10.1.8.2 Tools required for assembly, such as soldering irons, must be properly ground.

10.1.8.3 To reduce the amount of static electricity generated, do not conduct assembly and other work under dry conditions.

10.1.8.4 The LCD Module is coated with a film to protect the display surface. Be care when peeling off this protective film since static electricity may be generated.

### 10.2 Storage precautions

10.2.1 When storing the LCD modules, avoid exposure to direct sunlight or to the light of fluorescent lamps.

10.2.2 The LCD modules should be stored under the storage temperature range. If the LCD modules will be stored for a long time, the recommend condition is:

Temperature : 0°C ~ 40°C      Relatively humidity: ≤80%

10.2.3 The LCD modules should be stored in the room without acid, alkali and harmful gas.

### 10.3 Transportation Precautions

10.3.1 The LCD modules should be no falling and violent shocking during transportation, and also should avoid excessive press, water, damp and sunshine.