



PROPRIETARY NOTE

THIS SPECIFICATION IS THE PROPERTY OF BOE HYDIS AND SHALL NOT BE REPRODUCED OR COPIED WITHOUT THE WRITTEN PERMISSION OF BOE HYDIS AND MUST BE RETURNED TO BOE HYDIS UPON ITS REQUEST

**TITLE : HV121X03-100
Product Specification
Rev. O**

BOE HYDIS TECHNOLOGY

SPEC. NUMBER	PRODUCT GROUP TFT LCD	REV. O	ISSUE DATE 2006.12.26	PAGE 1 of 31
--------------	--------------------------	-----------	--------------------------	-----------------



PRODUCT GROUP

REV

ISSUE DATE

TFT LCD PRODUCT

O

2006.12.26

REVISION HISTORY

REV.	ECN NO.	DESCRIPTION OF CHANGES	DATE	PREPARED
0	-	Initial Release	06.12.26	J.Y.JUNG

SPEC. NUMBER B2005-C001-A (2/3)	SPEC TITLE HV121X03-100 Product Specification	PAGE 2 of 31
---	---	------------------------



PRODUCT GROUP

REV

ISSUE DATE

TFT LCD PRODUCT

O

2006.12.26

Contents

No	Item	Page
1.0	General Description	4
2.0	Absolute Maximum ratings	5
3.0	Electrical specifications.	6
4.0	Optical specifications.	8
5.0	Interface Connection	10
6.0	Signal Timing Specification	12
7.0	Signal Timing waveforms of interface signal (DE Mode)	14
8.0	Input Signals, Display Colors & Gray Scale of Colors	15
9.0	Power Sequence	16
10.0	Mechanical Characteristics	17
11.0	Reliability Test	18
12.0	Handling & Cautions.	19
13.0	Packing	20
14.0	Label	21
15.0	Appendix	23
	Outline drawing (Front & Rear)	25

SPEC. NUMBER

SPEC TITLE

HV121X03-100 Product Specification

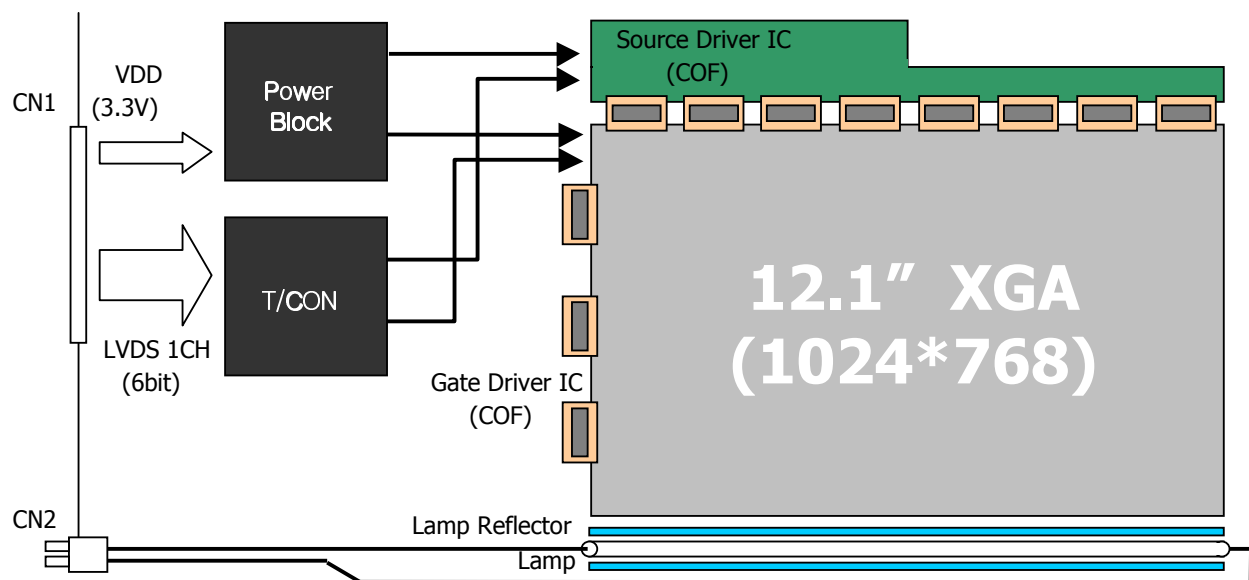
PAGE

3 of 31

1.0 GENERAL DESCRIPTION

1.1 Introduction

12.1"XGA is a color active matrix TFT LCD module using AFFS(Advanced Fringe Field Switching: Wide viewing technology) mode and amorphous silicon TFT's (Thin Film Transistors) as an active switching devices. This module has a 12.1 inch diagonally measured active area with XGA resolutions (1024 horizontal by 768 vertical pixel array). Each pixel is divided into RED, GREEN, BLUE dots which are arranged in vertical stripe and this module can display 262,144 colors. The TFT-LCD panel used for this module is a low reflection and higher color type.



1.2 Features

- LVDS Interface with 1pixel / clock
- High-speed response
- 6-bit color depth, Display 262,144 colors
- Incorporated edge type back-light (1 lamp)
- High luminance and contrast ratio, low reflection and wide viewing angle
- DE (Data Enable) mode only
- RoHS

1.3 Applications

- Pen-type & Tablet PC

**PRODUCT GROUP**

REV

ISSUE DATE

TFT LCD PRODUCT

O

2006.12.26

1.3 General Specification

The followings are general specifications at the model HV121X03-100

Parameter	Specification	Unit	Remarks
Active area	245.76 X 184.32	mm	
Number of pixels	1024(H) X 768(V)	pixels	
Pixel pitch	0.240(H) X 0.240(V)	mm	
Pixel arrangement	RGB Vertical stripe		
Display colors	262,144	colors	
Display mode	Normally Black		
Dimensional outline	270.0+/-0.3(H)X199.0+/-0.3(V)X 4.8 @ Lamp , 6.7 Typ@Pouch	mm	Note 2
Weight	305 typ.	g	
Back-light	Bottom edge side 1-CCFL type		Note 1
Surface treatment	AG(H40%)/LR/2H		

Note 1. CCFL (Cold Cathode Fluorescent Lamp)

2. LCM Height 4.8 [mm] Typical (lamp), 6.7[mm] Typical (Pouch)

SPEC. NUMBER

SPEC TITLE

HV121X03-100 Product Specification

PAGE

5 of 31



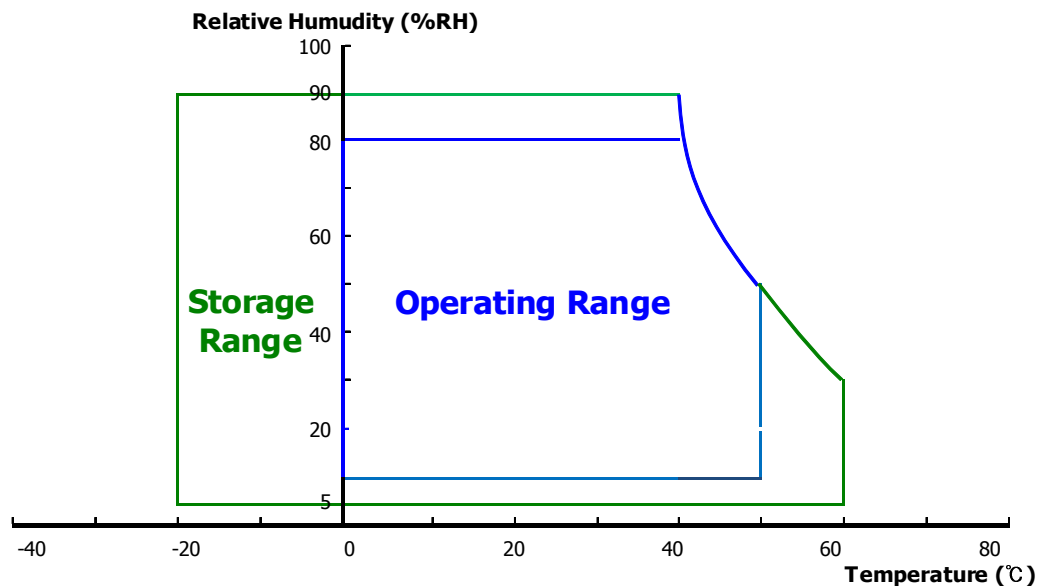
2.0 ABSOLUTE MAXIMUM RATINGS

The followings are maximum values which, if exceed, may cause faulty operation or damage to the unit.

VSS = GND = 0V

Parameter	Symbol	Min.	Max.	Unit	Remarks
Power Supply Voltage	V_{DD}	-0.3	4.0	V	
Logic Supply Voltage	V_{IN}	-0.3	$V_{DD}+0.3$	V	
Lamp Current	I_{BL}	2.0	6.0	mArms	Note 1
Lamp frequency	F_L	30	80	kHz	Note 1
Operating Temperature (Humidity)	T_{OP} RH	0 8	+50 80	°C %	Note 2
Storage Temperature (Humidity)	T_{SP} RH	-20 5	+60 90	°C %	Note 2

- Note 1. Permanent damage to the device may occur if maximum values are exceeded Functional operation should be restricted to the condition described under normal operating conditions.
2. Temperature and relative humidity range are shown in the figure below.
 95 % RH Max. ($40\text{ }^{\circ}\text{C} \geq T_a$)
 Maximum wet - bulb temperature at $39\text{ }^{\circ}\text{C}$ or less. ($T_a > 40\text{ }^{\circ}\text{C}$) No condensation.





PRODUCT GROUP

REV

ISSUE DATE

TFT LCD PRODUCT

O

2006.12.26

3.0 ELECTRICAL SPECIFICATIONS

[Ta = 25± 2℃]

Parameter		Min.	Typ.	Max.	Unit	Remarks
Power Supply Voltage	V _{DD}	3.0	3.3	3.6	V	
Power Supply Current	I _{DD}	-	240	-	mA	Note 1
CCFL Ignition Time	t	-	-	1.0	sec	
Permissible Input Ripple Voltage	V _{RF}	-	-	100	mV	At V _{DD} = 3.3V
High Level Differential Input Signal Voltage	V _{IH}	-	-	+100	mV	V _{cm} = 1.2 V Typ
Low Level Differential Input Signal Voltage	V _{IL}	- 100	-	-	mV	
Back-light Lamp Voltage	V _{BL}	700	560	540	V _{rms}	
Back-light Lamp Current	I _{BL}	2.0	5.5	6.0	mA	Note 2
Back-light Lamp operating Frequency	F _L	40	60	80	KHz	Note 3
Lamp Start Voltage		1,050	-	-	V _{rms}	25 °C, Note 4
		1,310	-	-	V _{rms}	0 °C, Note 4
Lamp Life		10,000	-	-	Hrs	IBL = 2.0~6.0 mA
Power Consumption	P _D	-	0.7	1.4	W	
	P _{BL}	-	3.2	3.5	W	IBL = 5.5 mA Note 5
	P _{total}	-	3.9	4.9	W	

SPEC. NUMBER

SPEC TITLE

HV121X03-100 Product Specification

PAGE

7 of 31



PRODUCT GROUP

REV

ISSUE DATE

TFT LCD PRODUCT

O

2006.12.26

Notes :

1. The supply voltage is measured and specified at the interface connector of LCM.
The current draw and power consumption specified is for VDD = 3.3V, Frame rate = 60 Hz and Clock frequency = 65MHz.
Test Pattern of power supply current
 - a) Typ : Windows XP pattern
 - b) Max : Gray 28 @ Vertical 2 Skip line pattern
2. Minimum value of lamp current : In case of current adjustment method
3. The lamp frequency should be selected as different as possible from the horizontal synchronous frequency and its harmonics to avoid interference, which may cause line flow on the display.
4. For starting the backlight unit, the output voltage of DC/AC's transformer should be larger than the minimum lamp starting voltage.(1,050 Vrms at 25 °C & 1,310 Vrms at 0 °C).
If an inverter has shutdown function it should keep its output for more than 1 second even if the lamp connector open. Otherwise the lamps may not to be turned on.
5. Calculated value for reference (VBL × IBL) excluding inverter loss.

SPEC. NUMBER

SPEC TITLE

HV121X03-100 Product Specification

PAGE

8 of 31



PRODUCT GROUP

REV

ISSUE DATE

TFT LCD PRODUCT

O

2006.12.26

4.0 OPTICAL SPECIFICATION

The measurement shall be executed after 30 minutes warm-up period.

Measuring equipment: TOPCON-BM5.

[VDD=3.3V, Frame rate=60Hz, Clock=65MHz, $I_{BL} = 5.0mA$, $T_a = 25 \pm 2^\circ C$]

Parameter		Symbol	Condition	Min.	Typ.	Max.	Unit	Remarks
Viewing Angle range	Horizontal	Θ_3	CR > 10	-	89	-	Deg.	Note 1
		Θ_9		-	89	-	Deg.	
	Vertical	Θ_{12}		-	89	-	Deg.	
		Θ_6		-	89	-	Deg.	
Luminance Contrast ratio		CR		-	500:1	-		Note 2
Luminance of White		Y_w		175	190	-	cd/m ²	Note 3
		ΔY_w5		165	180	-	cd/m ²	Note 3
White Luminance uniformity		$\Delta Y5$		80	-	-	%	Note 4
		$\Delta Y13$		65	-	-	%	
White Chromaticity		x_w		0.298	0.313	0.328		Note 5
		y_w		0.314	0.329	0.344		
Reproduction of color	Red	x_R		0.542	0.572	0.603		
		y_R		0.302	0.332	0.362		
	Green	x_G		0.278	0.308	0.338		
		y_G		0.506	0.536	0.566		
	Blue	x_B		0.119	0.149	0.179		
		y_B		0.128	0.158	0.188		
Color reproduction				-	43.5	-	%	
Response Time	Total (Td+Tr)		$\Theta = 0^\circ$	-	40	-	ms	
Cross Talk	CT			-	-	2.0	%	Note 7

SPEC. NUMBER

SPEC TITLE

HV121X03-100 Product Specification

PAGE

9 of 31



PRODUCT GROUP

REV

ISSUE DATE

TFT LCD PRODUCT

O

2006.12.26

Notes :

- Viewing angle is the angle at which the contrast ratio is greater than 10. The viewing are determined for the horizontal or 3, 9 o'clock direction and the vertical or 6, 12 o'clock direction with respect to the optical axis which is normal to the LCD surface. (see FIGURE 1).
- Contrast measurements shall be made at viewing angle of $\Theta = 0^\circ$ and at the center of the LCD surface. Luminance shall be measured with all pixels in the view field set first to white, then to the dark (black) state. (See FIGURE 1) Luminance Contrast Ratio (CR) is defined mathematically.

$$CR = \frac{\text{Luminance when displaying a white raster}}{\text{Luminance when displaying a black raster}}$$
- Luminance of white is defined as a center point(#1) on LCD surface. Luminance shall be measured with all pixels in the view field set first to white. This measurement shall be taken at the locations shown in FIGURE 2 for a total of the measurements per display. (Back-light Lamp Current=5.5mA)
- The White luminance uniformity on LCD surface is then expressed as : $\Delta Y = \text{Minimum Luminance of 5 points (L1 ~ L5)} / \text{Maximum Luminance of 5 points (L1 ~ L5)}$ and $\text{Minimum Luminance of 13 points (L1 ~ L13)} / \text{Maximum Luminance of 13 points (L1 ~ L13)}$ (see FIGURE 2) - Without protection film.
- The color chromaticity coordinates specified in Table 4 shall be calculated from the spectral data measured with all pixels first in red, green, blue and white. Measurements shall be made at the center of the panel.
- The electro-optical response time measurements shall be made as FIGURE 3by switching the "data" input signal ON and OFF. The times needed for the luminance to change from 10% to 90% is Tr, and 90% to 10% is Td.
- Cross-Talk of one area of the LCD surface by another shall be measured by comparing the luminance (YA) of a 25mm diameter area, with all display pixels set to a gray level, to the luminance (YB) of that same area when any adjacent area is driven dark. (See FIGURE 4)

SPEC. NUMBER	SPEC TITLE HV121X03-100 Product Specification	PAGE 10 of 31
--------------	--	------------------



PRODUCT GROUP

REV

ISSUE DATE

TFT LCD PRODUCT

O

2006.12.26

5.0 INTERFACE CONNECTION.

5.1 Electrical Interface Connection

CN 1 : Interface connector : DF19L-20P-1H (Hirose)

User side connector : DF19G-20S-1C (Hirose)

Terminal	Symbol	Functions	Remarks
1	VDD	Power supply +3.3 V	
2	VDD	Power supply +3.3 V	
3	VSS	Ground	
4	VSS	Ground	
5	RIN0 -	LVDS Negative data signal (-)	Tx pin #48
6	RIN0 +	LVDS Positive data signal (+)	Tx pin #47
7	VSS	Ground	
8	RIN1 -	LVDS Negative data signal (-)	Tx pin #46
9	RIN1 +	LVDS Positive data signal (+)	Tx pin #45
10	VSS	Ground	
11	RIN2 -	LVDS Negative data signal (-)	Tx pin #42
12	RIN2 +	LVDS Positive data signal (+)	Tx pin #41
13	VSS	Ground	
14	RCLKIN -	LVDS Negative clock signal (-)	Tx pin #40
15	RCLKIN +	LVDS Positive clock signal (+)	Tx pin #39
16	VSS	Ground	
17	EDID 3.3V	EDID 3.3V	
18	VSS	Ground	
19	EDID Clk	EDID Clk	
20	EDID Data	EDID Data	

SPEC. NUMBER

SPEC TITLE

HV121X03-100 Product Specification

PAGE

11 of 31



PRODUCT GROUP

REV

ISSUE DATE

TFT LCD PRODUCT

O

2006.12.26

5.2. Back-light Interface

The Back-light interface connector is a model BHSR-02VS-1 manufactured by JST or equivalent.

Pin No.	Symbol	Function	Color
1	HOT	High voltage	Pink
2	COLD	Ground	White

5.3. LVDS Interface

LVDS Transmitter THC63LVDM83A or equivalent.

Input Signal	Transmitter		Interface		DF19L-20P-1H	Remarks
	Pin No.	Pin No.	System (Tx)	TFT-LCD (Rx)	Pin No.	
R0	51	48 47	OUT0 - OUT0 +	IN0 - IN0 +	5 6	
R1	52					
R2	54					
R3	55					
R4	56					
R5	3					
G0	4	46 45	OUT1 - OUT1 +	IN1 - IN1 +	8 9	
G1	6					
G2	7					
G3	11					
G4	12					
G5	14					
B0	15	42 41	OUT2 - OUT2 _+	IN2 - IN2 +	11 12	
B1	19					
B2	20					
B3	22					
B4	23					
B5	24					
HSYNC	27	40	CLKOUT -	CLKIN -	14	
VSYNC	28					
DE	30	39	CLKOUT +	CLKIN +	15	
MCLK	31					

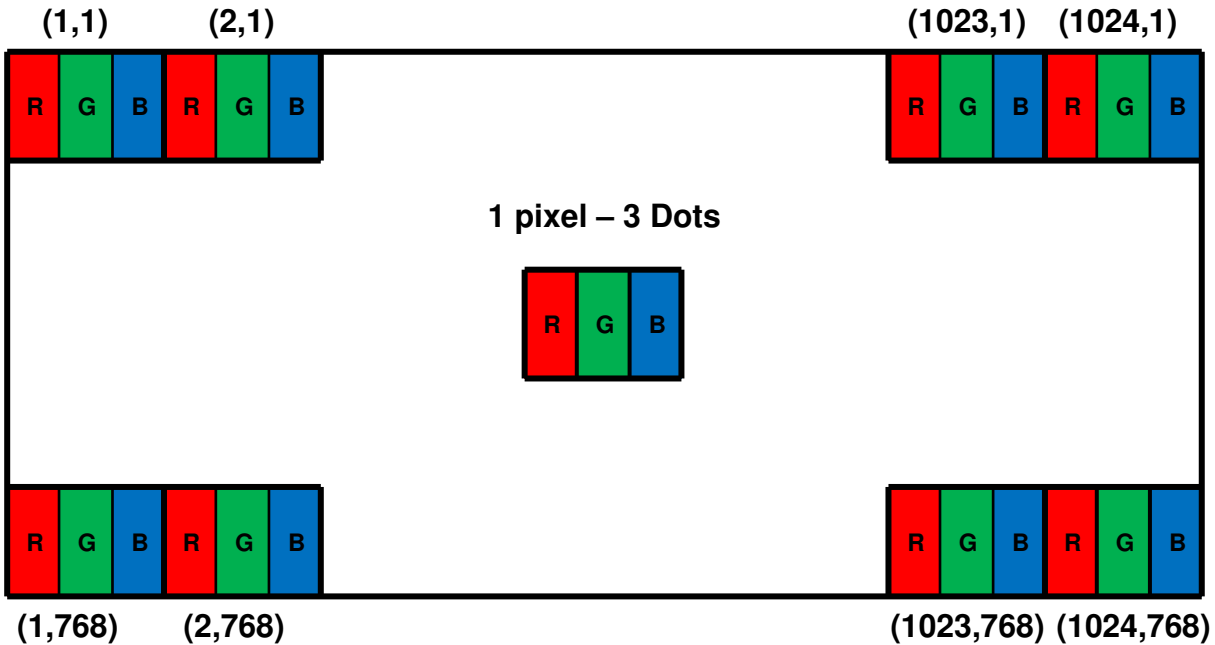
SPEC. NUMBER

SPEC TITLE

HV121X03-100 Product Specification

PAGE

12 of 31

5.4. Data input Format


Display position of input data

6.0. SIGNAL TIMING SPECIFICATION
6.1 The 12.1" XGA LCM is operated by the only DE (Data enable) mode (LVDS Transmitter Input)

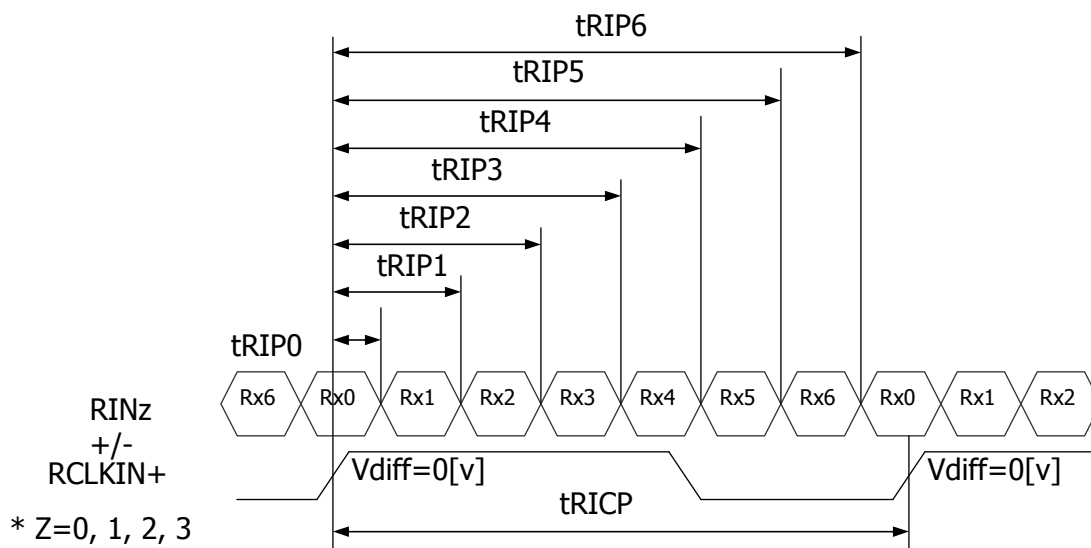
Item		Symbols	Min	Typ	Max	Unit
Clock	Frequency	1/Tc	-	65	80	MHz
	High Time	Tch	4.5	-	-	ns
	Low Time	Tcl	4.5	-	-	ns
Data	Setup Time	Tds	2.7	-	-	ns
	Hold Time	Tdh	0	-	-	ns
Data Enable Setup Time		Tes	2.7	-	-	ns
Frame Period		Tv	772	806	1022	lines
Vertical Display Period		Tvd	768	768	768	lines
One Line Scanning Period		Th	1100	1344	2046	clocks
Horizontal Display Period		Thd	1024	1024	1024	clocks

6.2 LVDS Rx Interface timing parameter

The specification of the LVDS Rx interface timing parameter

<LVDS Rx Interface Timing Specification>

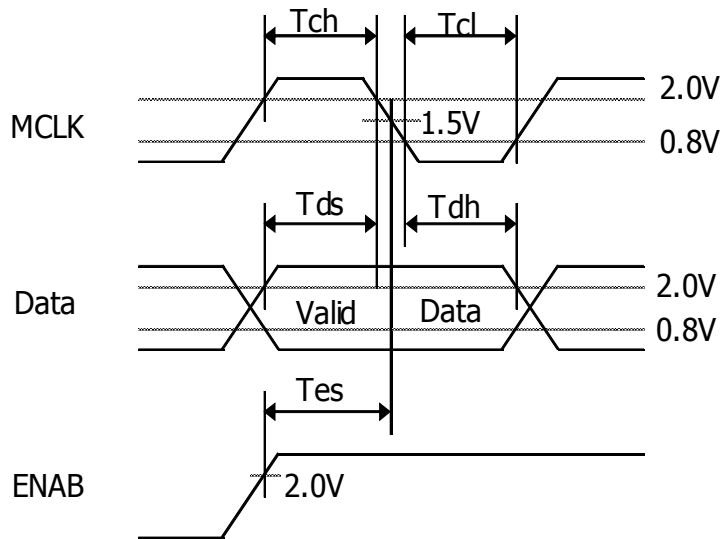
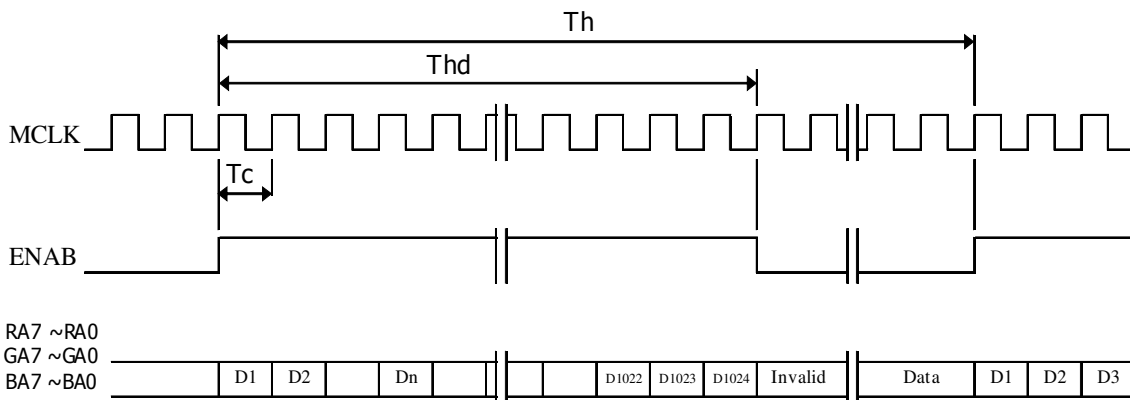
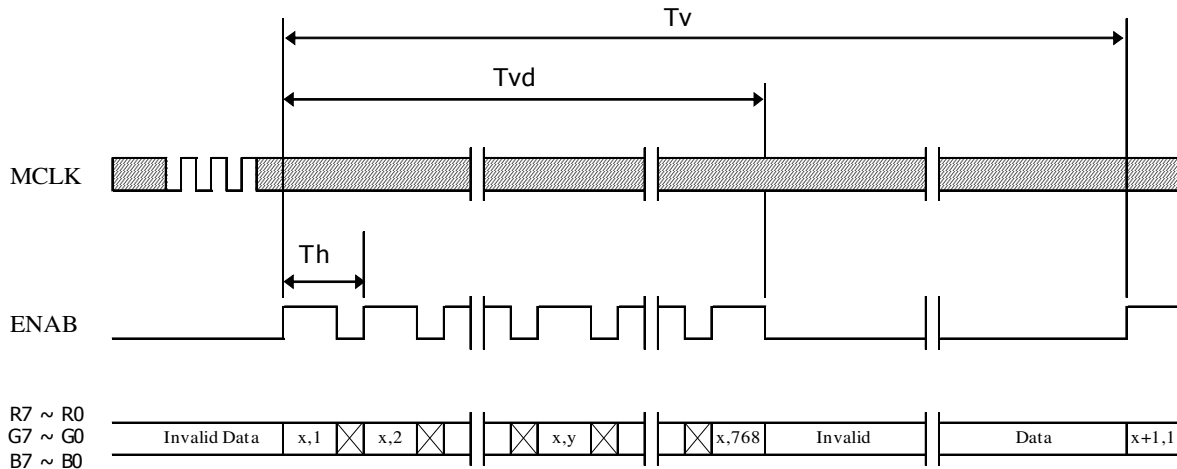
Item	Symbol	Min	Typ	Max	Unit	Remarks
CLKIN Period	tRIPC	12.50	15.38	-	ns	
Input Data 0	tRIP0	-0.4	0.0	+0.4	ns	
Input Data 1	tRIP1	tRIPC/7-0.4	tRIPC/7	tRIPC/7+0.4	ns	
Input Data 2	tRIP2	2xtRIPC/7-0.4	2xtRIPC/7	2xtRIPC/7+0.4	ns	
Input Data 3	tRIP3	3xtRIPC/7-0.4	3xtRIPC/7	3xtRIPC/7+0.4	ns	
Input Data 4	tRIP4	4xtRIPC/7-0.4	4xtRIPC/7	4xtRIPC/7+0.4	ns	
Input Data 5	tRIP5	5xtRIPC/7-0.4	5xtRIPC/7	5xtRIPC/7+0.4	ns	
Input Data 6	tRIP6	6xtRIPC/7-0.4	6xtRIPC/7	6xtRIPC/7+0.4	ns	



$$* V_{diff} = (RINz+) - (RINz-), (RCLKIN+) - (RCLKIN-)$$

7.0 SIGNAL TIMING WAVEFORMS

Timing wave forms of interface signal





PRODUCT GROUP

REV

ISSUE DATE

TFT LCD PRODUCT

O

2006.12.26

8.0 INPUT SIGNALS, BASIC DISPLAY COLORS & GRAY SCALE OF COLORS

	Colors & Gray scale	Data signal																	
		R0	R1	R2	R3	R4	R5	G0	G1	G2	G3	G4	G5	B0	B1	B2	B3	B4	B5
Basic colors	Black	0	0	0	0	0	0	0	0	0	0	0	0	0	0	0	0	0	0
	Blue	0	0	0	0	0	0	0	0	0	0	0	0	1	1	1	1	1	1
	Green	0	0	0	0	0	0	1	1	1	1	1	1	0	0	0	0	0	0
	Light Blue	0	0	0	0	0	0	1	1	1	1	1	1	1	1	1	1	1	1
	Red	1	1	1	1	1	1	0	0	0	0	0	0	0	0	0	0	0	0
	Purple	1	1	1	1	1	1	0	0	0	0	0	0	1	1	1	1	1	1
	Yellow	1	1	1	1	1	1	1	1	1	1	1	1	0	0	0	0	0	0
	White	1	1	1	1	1	1	1	1	1	1	1	1	1	1	1	1	1	1
Gray scale of Red	Black	0	0	0	0	0	0	0	0	0	0	0	0	0	0	0	0	0	0
	Darker	1	0	0	0	0	0	0	0	0	0	0	0	0	0	0	0	0	0
		0	1	0	0	0	0	0	0	0	0	0	0	0	0	0	0	0	0
	Brighter	1	0	1	1	1	1	0	0	0	0	0	0	0	0	0	0	0	0
	Red	0	1	1	1	1	1	0	0	0	0	0	0	0	0	0	0	0	0
Gray scale of Green	Black	0	0	0	0	0	0	0	0	0	0	0	0	0	0	0	0	0	0
	Darker	0	0	0	0	0	0	1	0	0	0	0	0	0	0	0	0	0	0
		0	0	0	0	0	0	0	1	0	0	0	0	0	0	0	0	0	0
	Brighter	0	0	0	0	0	0	1	0	1	1	1	1	0	0	0	0	0	0
	Green	0	0	0	0	0	0	0	1	1	1	1	1	0	0	0	0	0	0
Gray scale of Blue	Black	0	0	0	0	0	0	0	0	0	0	0	0	0	0	0	0	0	0
	Darker	0	0	0	0	0	0	0	0	0	0	0	0	1	0	0	0	0	0
		0	0	0	0	0	0	0	0	0	0	0	0	0	1	0	0	0	0
	Brighter	0	0	0	0	0	0	0	0	0	0	0	0	1	0	1	1	1	1
	Blue	0	0	0	0	0	0	0	0	0	0	0	0	0	1	1	1	1	1
Gray scale of White & Black	Black	0	0	0	0	0	0	0	0	0	0	0	0	0	0	0	0	0	0
	Darker	1	0	0	0	0	0	1	0	0	0	0	0	1	0	0	0	0	0
		0	1	0	0	0	0	0	1	0	0	0	0	0	1	0	0	0	0
	Brighter	1	0	1	1	1	1	1	0	1	1	1	1	1	0	1	1	1	1
	White	0	1	1	1	1	1	0	1	1	1	1	1	0	1	1	1	1	1

SPEC. NUMBER

SPEC TITLE

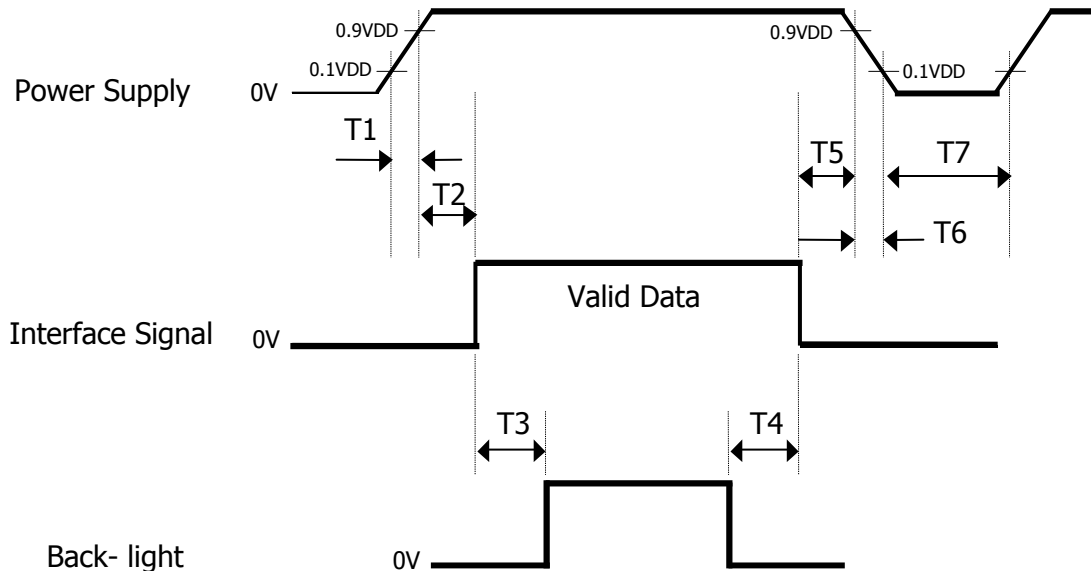
HV121X03-100 Product Specification

PAGE

16 of 31

9.0 POWER SEQUENCE

To prevent a latch-up or DC operation of the LCD module, the power on/off sequence shall be as shown in below



- $0 < T1 \leq 10 \text{ ms}$
- $0 < T2 \leq 50 \text{ ms}$
- $200 \text{ ms} \leq T3$
- $0 \text{ ms} \leq T4, 0 \text{ ms} \leq T5$
- $0 \leq T6 \leq 10 \text{ ms}$
- $150 \text{ ms} \leq T7$

- Notes :
1. When the power supply VDD is 0V, Keep the level of input signals on the low or keep high impedance.
 2. Do not keep the interface signal high impedance when power is on.
 3. Back Light must be turn on after power for logic and interface signal are valid.



PRODUCT GROUP

REV

ISSUE DATE

TFT LCD PRODUCT

O

2006.12.26

10.0 MECHANICAL CHARACTERISTICS

10.1 Dimensional Requirements

FIGURE 5, 6 shown in appendix shows mechanical outlines for the model.

(Remark : Without protection plate)

Parameter	Specification	Unit
Dimensional outline Horizontal Vertical Thickness	270.0 ± 0.3 199.0 ± 0.3 4.8 Typ @ Lamp, 6.7 Typ @ Pouch	mm
Weight	305 (Typ), 315 (Max)	gram
Active Area	245.76 (H) X 184.32 (V)	mm
Pixel Pitch	0.240 (H) X 0.240 (V)	mm
Number of Pixels	1024 (H) X 768 (V)	pixels
Torque of insert nut for mounting digitizer	3.0 (Max)	kgf
Torque of digitizer screw	1.5 (Max)	kgf

10.2 Mounting

See FIGURE 5. (shown in Appendix)

10.3 Anti-Glare and Polarizer Hardness.

The surface of the LCD has an anti-glare coating to minimize reflection and a coating to reduce scratching.

10.4 Light Leakage

There shall not be visible light from the back-lighting system around the edges of the screen as seen from a distance 50cm from the screen with an overhead light level of 350lux.

SPEC. NUMBER

SPEC TITLE

HV121X03-100 Product Specification

PAGE

18 of 31



PRODUCT GROUP

REV

ISSUE DATE

TFT LCD PRODUCT

O

2006.12.26

11.0 RELIABILITY TEST (Without protection plate)

The Reliability test items and its conditions are shown in below.

No	Test Items	Conditions
1	High temperature storage test	Ta = 60 °C , 240 hrs
2	Low temperature storage test	Ta = -20 °C , 240 hrs
3	High temperature & high humidity operation test	Ta = 50 °C , 80~85%RH, 1000 hrs
4	Life Test	Ta = 25 °C , 1000 hrs
5	High temperature operation test	Ta = 50 °C , 240 hrs
6	Low temperature operation test	Ta = 0 °C , 240 hrs
7	On/Off test	Ta = 25°C , 1 min, On/Off 30000 cycles
8	Thermal shock	Ta = -20 °C ↔ 60 °C (30 min), 100 cycle
9	Vibration test (non-operating)	1.5G, 10~200Hz for X,Y,Z axis 30 min for each axis
10	Shock test (non-operating)	210 G, 3 msec, half sine for X, Y, Z axis 50G, 18 msec, trapezoidal for X, Y, Z axis
11	Altitude Test	53.3 Kpa (Altitude 5000m), 24 hrs
12	Open / Short Test	DS158, Open/Short Test Plan
13	Electro-static discharge test (non-operating)	Air : 150 pF, 330 Ω , 15 KV Contact : 150 pF, 330 Ω , 8 KV

SPEC. NUMBER

SPEC TITLE

HV121X03-100 Product Specification

PAGE

19 of 31



PRODUCT GROUP

REV

ISSUE DATE

TFT LCD PRODUCT

O

2006.12.26

12.0 HANDLING & CAUTIONS

(1) Cautions when taking out the module

- Pick the pouch only, when taking out module from a shipping package.

(2) Cautions for handling the module

- As the electrostatic discharges may break the LCD module, handle the LCD module with care. Peel a protection sheet off from the LCD panel surface as slowly as possible.
- As the LCD panel and back - light element are made from fragile glass material, impulse and pressure to the LCD module should be avoided.
- As the surface of the polarizer is very soft and easily scratched, use a soft dry cloth without chemicals for cleaning.
- Do not pull the interface connector in or out while the LCD module is operating.
- Put the module display side down on a flat horizontal plane.
- Handle connectors and cables with care.

(3) Cautions for the operation

- When the module is operating, do not lose CLK, ENAB signals. If any one of these signals is lost, the LCD panel would be damaged.
- Obey the supply voltage sequence. If wrong sequence is applied, the module would be damaged.

(4) Cautions for the atmosphere

- Dew drop atmosphere should be avoided.
- Do not store and/or operate the LCD module in a high temperature and/or humidity atmosphere. Storage in an electro-conductive polymer packing pouch and under relatively low temperature atmosphere is recommended.

(5) Cautions for the module characteristics

- Do not apply fixed pattern data signal to the LCD module at product aging.
- Applying fixed pattern for a long time may cause image sticking.

(6) Other cautions

- Do not disassemble and/or re-assemble LCD module.
- Do not re-adjust variable resistor or switch etc.
- When returning the module for repair or etc., Please pack the module not to be broken. We recommend to use the original shipping packages.

SPEC. NUMBER

SPEC TITLE

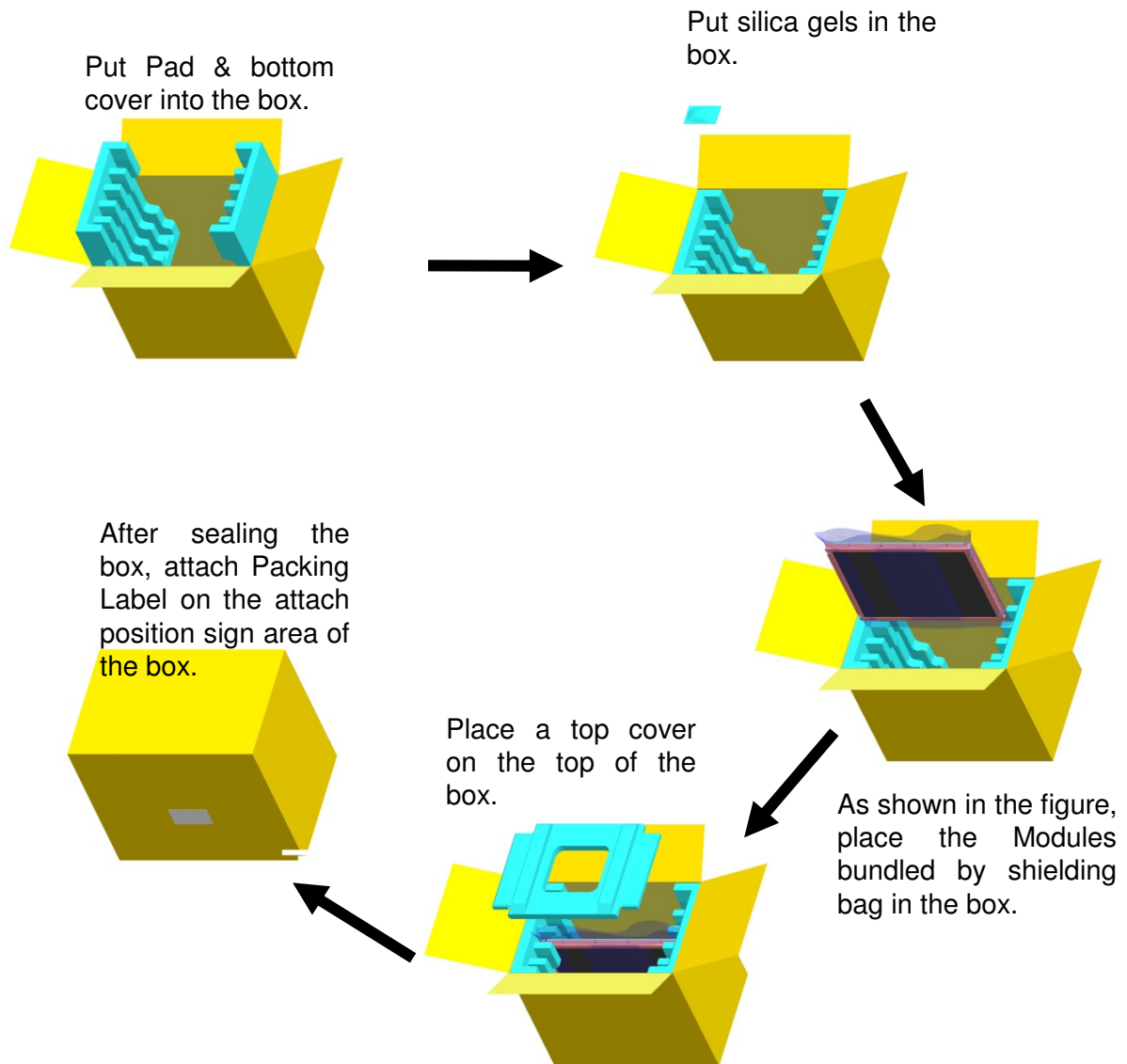
HV121X03-100 Product Specification

PAGE

20 of 31

13.0 Packing

13.1 Packing Order



Notes

- Box Dimension: 349 mm (W) X 261 mm (D) X 311 mm (H)
- Package Quantity in one Box: 10pcs



PRODUCT GROUP

REV

ISSUE DATE

TFT LCD PRODUCT

O

2006.12.26

14.0 Label

14.1 Packing Label

- Label size : 108 mm (L) X 56 mm (W)

- Contents

Model : HV121X03-100

Q'ty : Module Q'ty in one box

Serial No. : Box Serial No. See next figure for detail description

Date : Packing Date

FG Code : FG Code of Product

The diagram shows a green and white packing label. At the top, it says 'BOEhydis' and 'BOE HYDIS TECHNOLOGY'. Below that, it lists 'MODEL : HV121X03-100' and 'Q'TY : 10'. The 'SERIAL NO.' is shown as '*0000000000000000*' and the 'DATE' as '200X.X.XX'. A barcode is present with the number '*QAA0330000268*' below it. A '3120' is circled and labeled as the 'FG CODE'. A 'RoHS Compliant' logo is circled and labeled as the 'RoHS Mark'. A '(QA)' mark is also visible. A legend below the label explains the barcode format: '00 0 00 0 0 00000' corresponding to 'Type Grade Year Month ITEM-CODE Serial_no'.

14.2 Mercury disposal & High voltage caution

	<p>HIGH VOLTAGE CAUTION</p>	<p>COLD CATHODE FLUORESCENT LAMP IN LCD PANEL CONTAINS A SMALL AMOUNT OF MERCURY. PLEASE FOLLOW LOCAL ORDINANCES OR REGULATIONS FOR DISPOSAL.</p>
	<p>RISK OF ELECTRIC SHOCK. DISCONNECT THE ELECTRIC POWER BEFORE SERVICING</p>	

SPEC. NUMBER	SPEC TITLE	PAGE
	HV121X03-100 Product Specification	22 of 31



PRODUCT GROUP

REV

ISSUE DATE

TFT LCD PRODUCT

O

2006.12.26

14.3 Product Label

(1) Product label



1 2 3 4 5 6 7

X	X	X	X	X	X	1	0	0	X	X	X	X	X	X	X
---	---	---	---	---	---	---	---	---	---	---	---	---	---	---	---

Type designation

No 1. Control Number

No 2. Rank / Grade

No 3. Company (H:BOE HYDIS, O:BOE OT)

No 4. Year (5 : 2005, 6: 2006, ...)

No 5. Month (1, 2, 3, ..., 9, X, Y, Z)

No 6. Product Identification (FG)

No 7. Serial Number

SPEC. NUMBER

SPEC TITLE

HV121X03-100 Product Specification

PAGE

23 of 31

15.0 Appendix

Figure 1. Measurement Set up

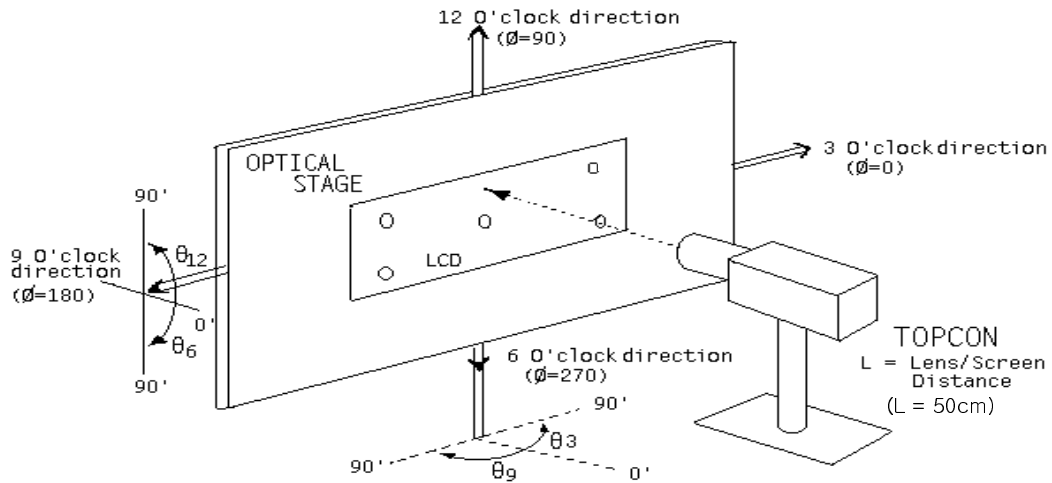


Figure 2. Average Luminance Measurement Locations, 5 points & 13 points Uniformity Measurement Locations

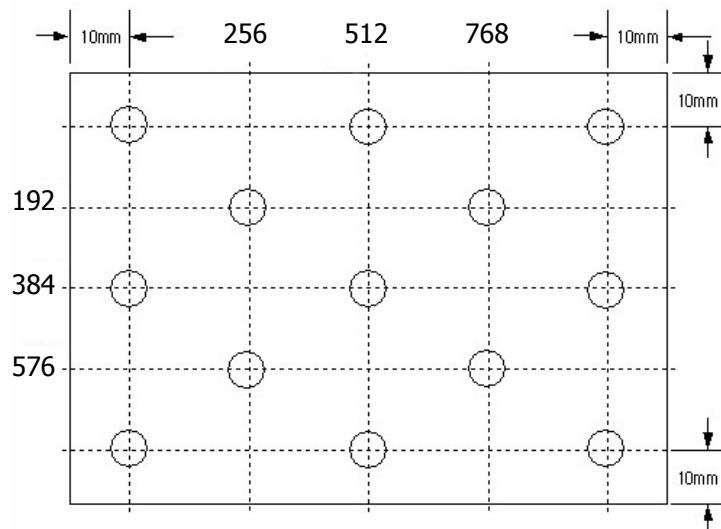
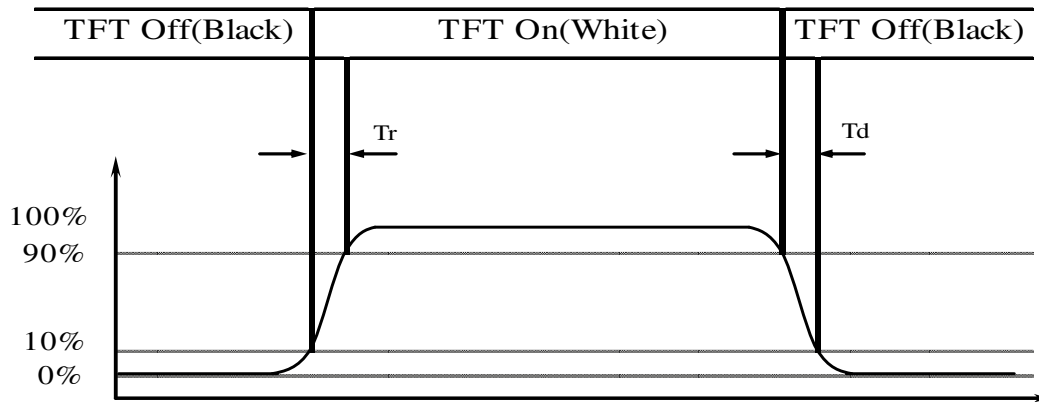
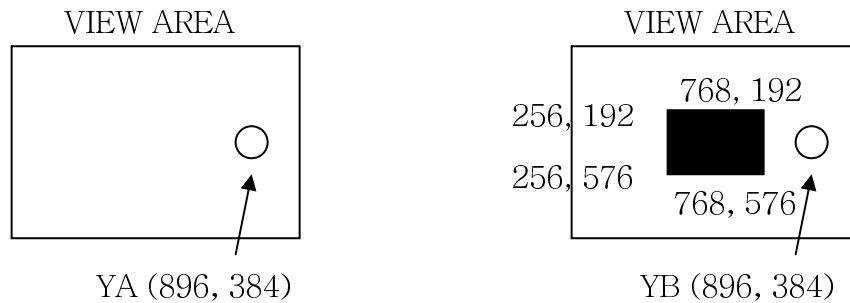


Figure 3. Response Time Testing

Figure 4. Cross Modulation Test Description


$$\text{Cross Talk} = \frac{\text{YB} - \text{YA}}{\text{YA}} \times 100$$

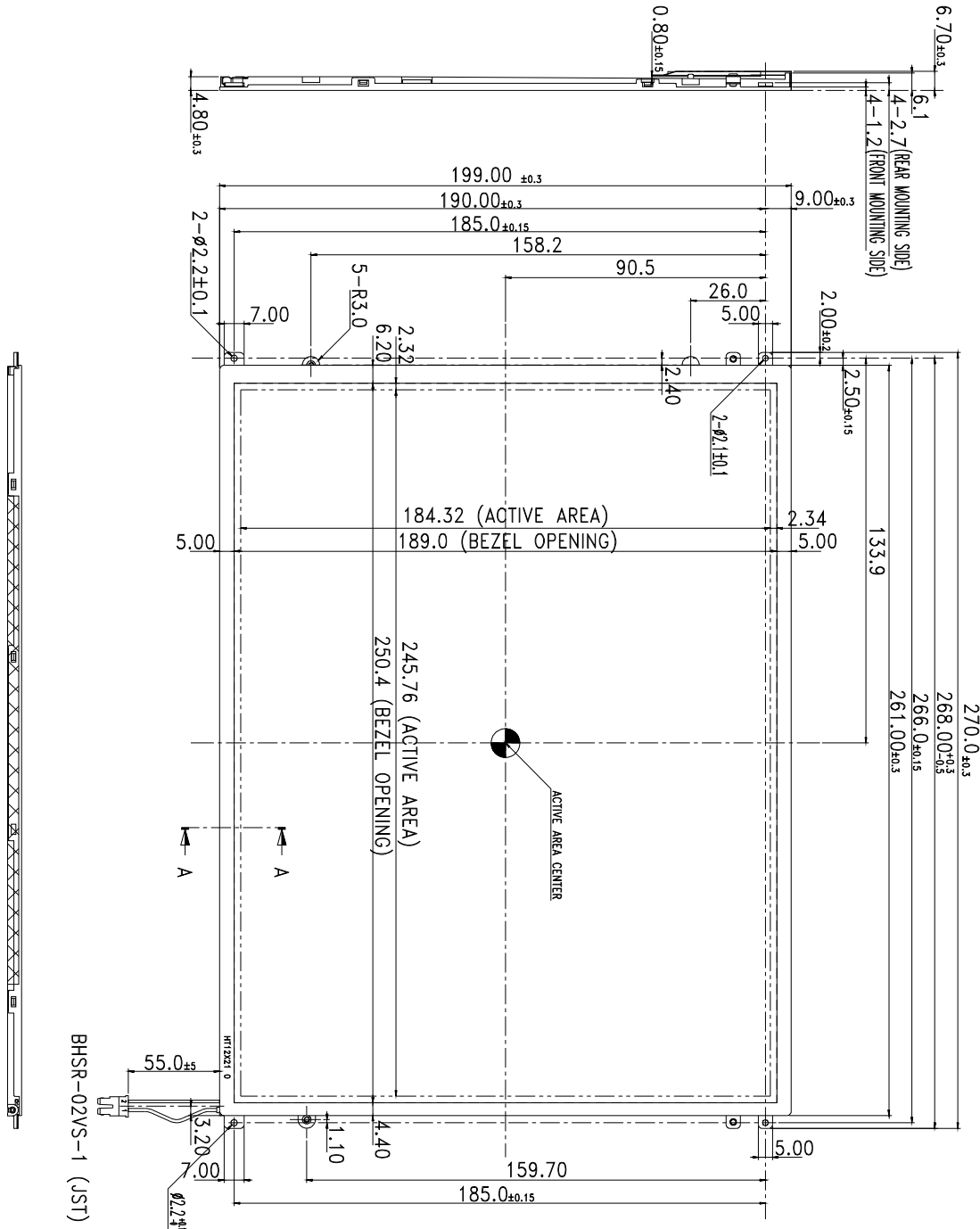
Where:

YA = Initial luminance of measured area (cd/m²)

YB = Subsequent luminance of measured area (cd/m²)

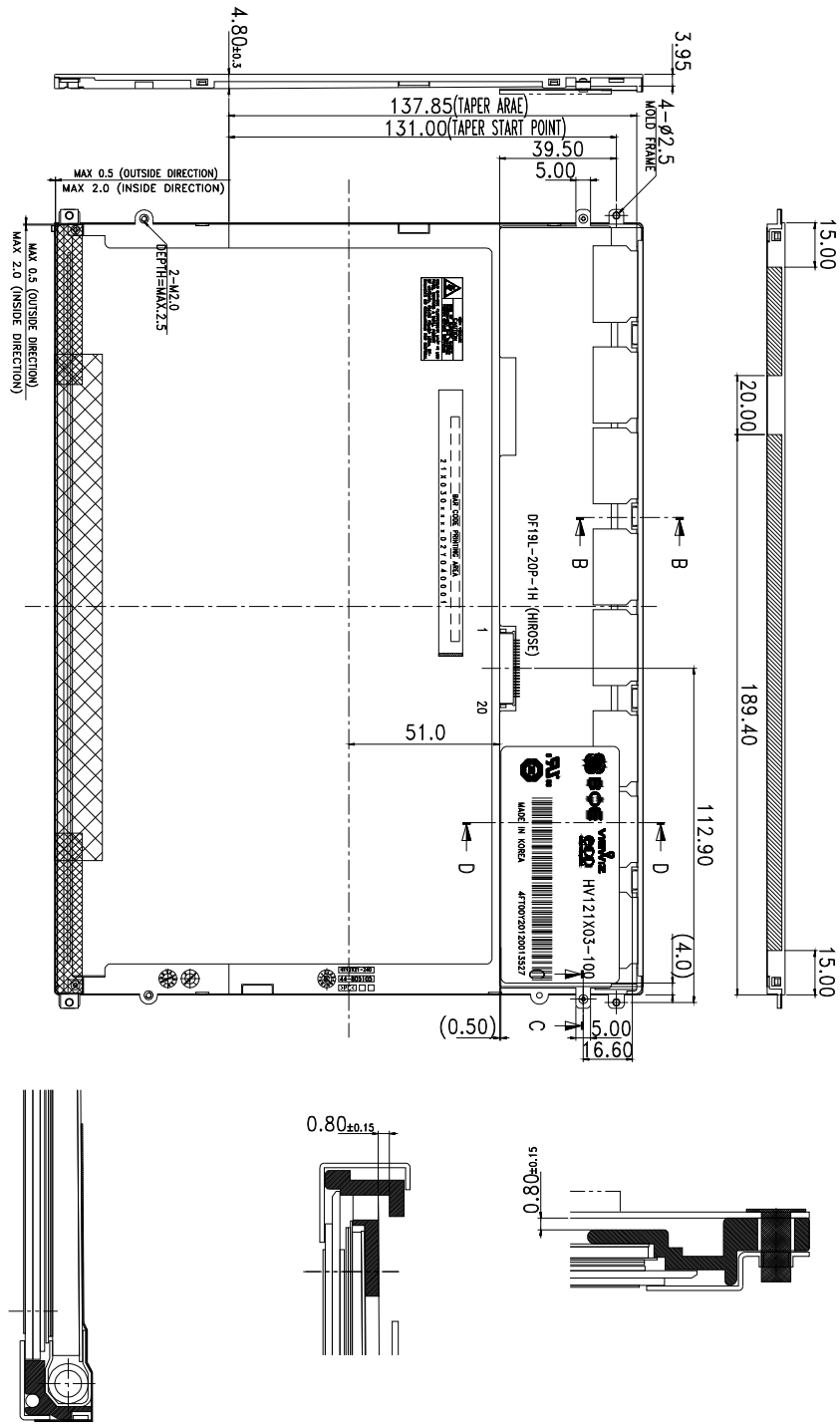
The location measured will be exactly the same in both patterns.

Figure 5. TFT-LCD Module Outline Dimension (Front View)



NOTE
 1. UNSPECIFIED TOLERANCE OF DIMENSION IS ±0.5.
 2. TORQUE OF INSERT NUT FOR MOUNTING DIGITIZER :
 MAX. 3.0 kgf.

Figure 6. TFT-LCD Module Outline Dimensions (Rear View)



SECTION A-A (S:5:1)

SECTION B-B (S:5:1)

SECTION C-C (S:5:1)



PRODUCT GROUP

REV

ISSUE DATE

TFT LCD PRODUCT

O

2006.12.26

16.0 EDID Table

Address (HEX)	Function	Hex	Dec	values.	Notes
00	Header	00	0	0	EDID Header
01		FF	255	255	
02		FF	255	255	
03		FF	255	255	
04		FF	255	255	
05		FF	255	255	
06		FF	255	255	
07		00	0	0	
08	ID Manufacturer Name	30	48	LEN	ID = LEN
09		AE	174		
0A	ID Product Code	2	2	XGA	XGA FFS
0B		40	64		
0C	32-bit serial No.	00	0		
0D		00	0		
0E		00	0		
0F		00	0		
10	Week of manufacture	0	0	0	
11	Year of Manufacture	10	16	2006	Manufactured in 2006
12	EDID Structure Ver.	01	1	1	EDID Ver 1.0
13	EDID revision #	03	3	3	EDID Rev. 0.3
14	Video input definition	80	50	-	
15	Max H image size	19	25	25	25 cm (Approx)
16	Max V image size	12	18	18	18 cm (Approx)
17	Display Gamma	78	120	2.2	Gamma curve = 2.2
18	Feature support	EA	234		RGB display, Preferred Timming mode
19	Red/Green low bits	8D	141	-	Red / Green Low Bits
1A	Blue/White low bits	51	81	-	Blue / White Low Bits
1B	Red x high bits	92	146	0.572	Red (x) = 10010010 (0.572)
1C	Red y high bits	55	85	0.332	Red (y) = 01010101 (0.332)
1D	Green x high bits	4E	78	0.308	Green (x) = 01001110 (0.308)
1E	Green y high bits	89	137	0.536	Green (y) = 10001001 (0.536)
1F	Blue x high bits	26	38	0.149	Blue (x) = 00100110 (0.149)
20	Blue y high bits	28	40	0.157	Blue (y) = 00101000 (0.157)
21	White x high bits	4E	78	0.305	White (x) = 01001110 (0.305)
22	White y high bits	54	84	0.329	White (y) = 01010100 (0.329)

SPEC. NUMBER

SPEC TITLE

HV121X03-100 Product Specification

PAGE

28 of 31



PRODUCT GROUP

REV

ISSUE DATE

TFT LCD PRODUCT

O

2006.12.26

Address (HEX)	Function	Hex	Dec	values.	Notes
23	Established timing 1	21	33	-	
24	Established timing 2	8	8	-	
25	Established timing 3	00	0	-	
26	Standard timing #1	01	1		Not Used
27		01	1		
28	Standard timing #2	01	1		Not Used
29		01	1		
2A	Standard timing #3	01	1		Not Used
2B		01	1		
2C	Standard timing #4	01	1		Not Used
2D		01	1		
2E	Standard timing #5	01	1		Not Used
2F		01	1		
30	Standard timing #6	01	1		Not Used
31		01	1		
32	Standard timing #7	01	1		Not Used
33		01	1		
34	Standard timing #8	01	1		Not Used
35		01	1		
36	Detailed timing/monitor descriptor #1 (60Hz)	64	100	65.00	65MHz Main clock
37		19	25		
38		00	0	1024	Hor Active = 1024
39		40	64	320	Hor Blanking = 320
3A		41	65	-	4 bits of Hor. Active + 4 bits of Hor. Blanking
3B		00	0	768	Ver Active = 768
3C		26	38	38	Ver Blanking = 38
3D		30	48	-	4 bits of Ver. Active + 4 bits of Ver. Blanking
3E		18	24	24	Hor Sync Offset = 24
3F		88	136	136	H Sync Pulse Width = 136
40		36	54	3	V sync Offset = 3 line
41		00	0	6	V Sync Pulse width : 6 line
42		F5	245	245	Horizontal Image Size = 245 mm (Low 8 bits)
43		B8	184	184	Vertical Image Size = 184 mm (Low 8 bits)
44		00	0	-	4 bits of Hor Image Size + 4 bits of Ver Image Size
45		00	0	0	Hor Border (pixels)
46		00	0	0	Vertical Border (Lines)
47	18	24	-		

SPEC. NUMBER

SPEC TITLE

HV121X03-100 Product Specification

PAGE

29 of 31



PRODUCT GROUP

REV

ISSUE DATE

TFT LCD PRODUCT

O

2006.12.26

Address (HEX)	Function	Hex	Dec	values.	Notes
48	Detailed timing/monitor descriptor #2	00	0		
49		00	0		
4A		00	0		
4B		10	16		Dummy descriptor
4C		00	0		
4D		00	0		
4E		00	0		
4F		00	0		
50		00	0		
51		00	0		
52		00	0		
53		00	0		
54		00	0		
55		00	0		
56		00	0		
57		00	0		
58		00	0		
59		00	0		
5A	Detailed timing/monitor descriptor #3	00	0		
5B		00	0		
5C		00	0		
5D		0F	0		Manufacturer specified
5E		00	0		
5F		61	97		1024
60		43	67		4:3
61		3C	60		60Hz
62		00	0		Not supported
63		00	0		Not supported
64		00	0		Not supported
65		13	19		195
66	2	2		FFS	
67	00	0		Reserved	
68	9	9	BOE	BOE	
69	E5	229			
6A	00	0			
6B	00	0			

SPEC. NUMBER

SPEC TITLE

HV121X03-100 Product Specification

PAGE

30 of 31



PRODUCT GROUP

REV

ISSUE DATE

TFT LCD PRODUCT

O

2006.12.26

Address (HEX)	Function	Hex	Dec	values.	Notes
6C	Detailed timing/monitor descriptor #4	00	0		Product Name Tag (ASCII)
6D		00	0		
6E		00	0		
6F		FE	254		
70		00	0		
71		48	72	H	Model name : HV121X03-100
72		56	86	V	
73		31	49	1	
74		32	50	2	
75		31	49	1	
76		58	88	X	
77		30	48	0	
78		33	51	3	
79		2D	45	-	
7A		31	49	1	
7B	30	48	0		
7C	30	48	0		
7D	0A	10			
7E	Extension flag	00	0		
7F	Checksum	5C	92	-	

SPEC. NUMBER

SPEC TITLE

HV121X03-100 Product Specification

PAGE

31 of 31