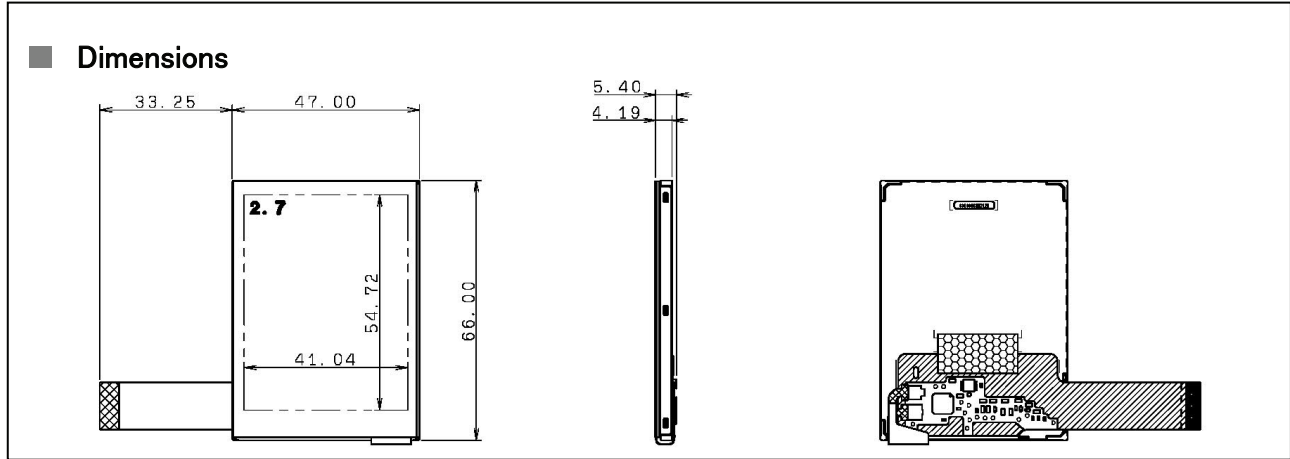


6.8cm (2.7 inch) QVGA TFT-LCD module

COM27H2N25XTC

■ Features

- Portrait, 2.7 inch QVGA resolution with touch panel.
- Excellent outdoor visibility without backlight.
- Wide viewing angle LCD module.
- TC, Power-circuit on panel.



■ Specifications

RoHS compliant

Items	Specifications	Units	Notes
Display Size	6.8 (2.7)	cm (inch)	
Display Format	240 X RGB X 320 Stripe	--	
Dot Pitch	57.0(H) X 171.0(V)	μ m	
Outline Dimensions	47.0 (H) X 66.0 (V) X 4.19 (D)	mm	
Weight	T.B.D.	g	
Number of Colors	262,144	--	
Brightness	(340) (TYP)	cd/m <sup>2</sup>	at 10mA
Viewing Angle(U/D/L/R)	(80/80/80/80)	deg.	CR ≥ 10
Input Signal Type	Digital RGB signal (each 6 bit parallel)	--	
Power Supplies	3.0 (without B/L)	V	
Operating Temperature	-20 ~ +70	°C	
Storage Temperature	-30 ~ +80	°C	
Backlight	LED Backlight	--	
Remarks	The adjustment of VCOMDC value is not required./Touch panel (Glass-Film, Clear finish on surface)		

※ Specifications are subject to change without notice.

**CASIO COMPUTER CO.,LTD.**

Hachioji R&D Center Electronic Device Division  
 2951-5 Ishikawa-machi, Hachioji City, Tokyo 192-8556, Japan  
 TEL +81-42-639-5150 FAX +81-42-639-5034  
<http://device.casio.jp>

Contact