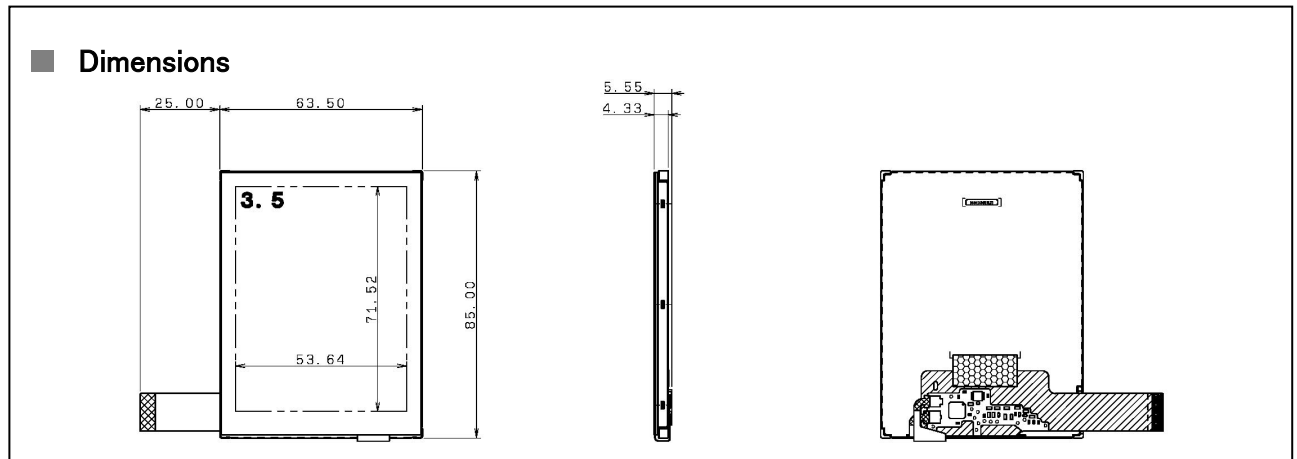


#### ■ Features

- Portrait, 3.5 inch QVGA resolution with touch panel.
- High outdoor readability with low backlight power.
- Wide viewing angle LCD module.
- TC, Power-circuit on panel.



#### ■ Specifications

**RoHS compliant**

Items	Specifications	Units	Notes
Display Size	8.9 (3.5)	cm (inch)	
Display Format	240 X RGB X 320 Stripe	--	
Dot Pitch	74.5(H) X 223.5(V)	μ m	
Outline Dimensions	63.5(H) X 85.0(V) X 4.33(D)	mm	
Weight	43.5	g	
Number of Colors	262,144	--	
Brightness	190 (TYP)	cd/m <sup>2</sup>	at 10mA
Viewing Angle(U/D/L/R)	80/80/80/80	deg.	CR ≥ 10
Input Signal Type	Digital RGB signal (each 6 bit parallel)	--	
Power Supplies	3.0 (without B/L)	V	
Operating Temperature	-20 ~ +70	°C	
Storage Temperature	-30 ~ +80	°C	
Backlight	LED Backlight	--	
Remarks	The adjustment of VCOMDC value is not required./Touch panel (Glass-Film, Clear finish on surface)		

※ Specifications are subject to change without notice.

2010.04.01

## ORTUS TECHNOLOGY CO., LTD.

Sales HQ, Overseas Sales Dept.

2951-5 Ishikawa-machi, Hachioji City, Tokyo 192-8556, Japan

TEL +81-42-639-5121 FAX +81-42-639-5034

<http://www.ortustech.co.jp>

All Rights Reserved, Copyright (C) ORTUS TECHNOLOGY CO., LTD.

Contact