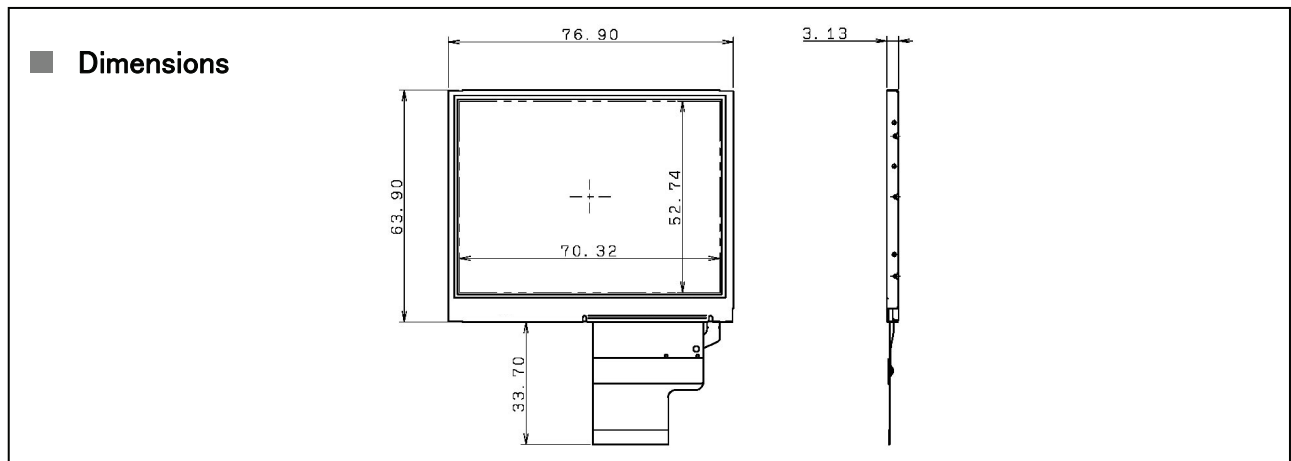


■ Features

- Landscape, 3.5 inch QVGA resolution.
- High brightness & high color purity slim LCD module using long-life LED.
- TC, Power-circuit on panel.



■ Specifications

RoHS compliant

Items	Specifications	Units	Notes
Display Size	8.8 (3.5)	cm (inch)	
Display Format	320 X RGB X 240 Stripe	--	
Dot Pitch	73.25(H) X 219.75(V)	μm	
Outline Dimensions	76.9 (H) X 63.9 (V) X 3.13 (D)	mm	
Weight	33.0	g	
Number of Colors	262,144/16,777,216	--	*1
Brightness	400 (TYP)	cd/m ²	
Viewing Angle(U/D/L/R)	15/70/35/40	deg.	CR ≥ 10
Input Signal Type	Digital RGB signal (each 6/8 bit parallel)	--	*1
Power Supplies	3.0 (without B/L)	V	
Operating Temperature	-20 ~ +70	°C	
Storage Temperature	-30 ~ +80	°C	
Backlight	LED Backlight	--	
Remarks	*1 Each 6/8 bit can be selected by change of mode.		

※ Specifications are subject to change without notice.

2010.04.01

ORTUS TECHNOLOGY CO., LTD.

Sales HQ, Overseas Sales Dept.

2951-5 Ishikawa-machi, Hachioji City, Tokyo 192-8556, Japan
 TEL +81-42-639-5121 FAX +81-42-639-5034

<http://www.ortustech.co.jp>

All Rights Reserved, Copyright (C) ORTUS TECHNOLOGY CO., LTD.

Contact