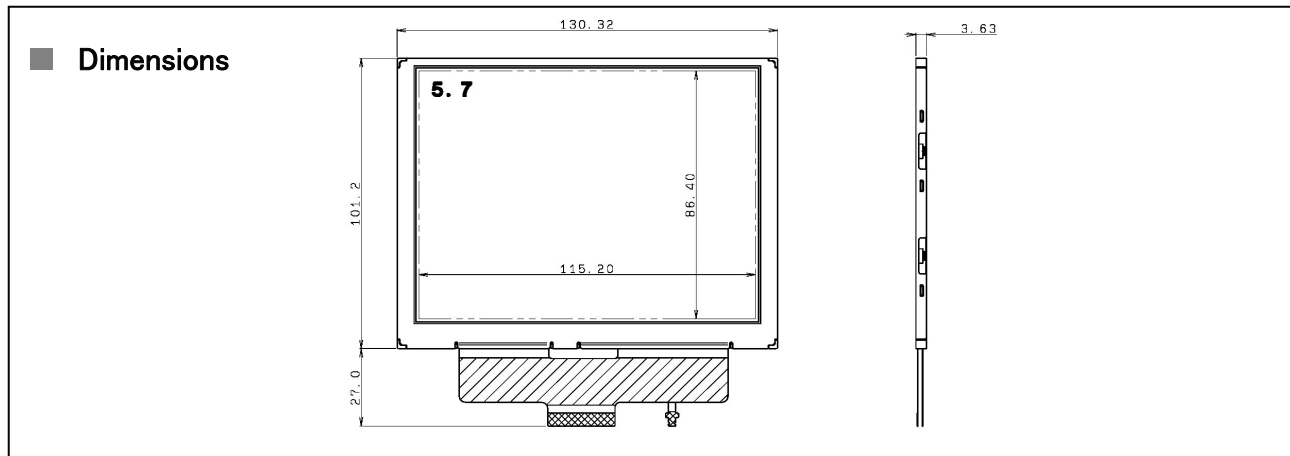


■ Features

- Landscape, 5.7 inch QVGA resolution.
- High outdoor readability with low backlight power.
- Super Slim / Super Light LCD module using long-life LED.
- Wide viewing angle LCD module.
- TC, Power-circuit on panel.



■ Specifications

RoHS compliant

Items	Specifications	Units	Notes
Display Size	14.4 (5.7)	cm (inch)	
Display Format	320 X RGB X 240 Stripe	---	
Dot Pitch	120.00(H) X 360.00(V)	μm	
Outline Dimensions	130.32(H) X 101.2(V) X 3.63(D)	mm	
Weight	80.0	g	
Number of Colors	262,144/16,777,216	---	*1
Brightness	460 (TYP)	cd/m ²	at 10mA
Viewing Angle(U/D/L/R)	80/80/80/80	deg.	CR ≥ 10
Input Signal Type	Digital RGB signal (each 6/8bit parallel)	---	*1
Power Supplies	3.3 (without B/L)	V	
Operating Temperature	-20 ~ +70	°C	
Storage Temperature	-30 ~ +80	°C	
Backlight	LED Backlight	---	
Remarks	*1 Each 6/8 bit can be selected by change of mode.		

※ Specifications are subject to change without notice.

April 1, 2010

ORTUS TECHNOLOGY CO., LTD.

Sales HQ, Overseas Sales Dept.

2951-5 Ishikawa-machi, Hachioji City, Tokyo 192-8556, Japan
 TEL +81-42-639-5121 FAX +81-42-639-5034

<http://www.ortustech.co.jp>

All Rights Reserved, Copyright (C) ORTUS TECHNOLOGY CO., LTD.

Contact