

Chunghwa Picture Tubes, Ltd.

Technical Specification

To :
Date : 2005/1/10

TFT LCD
CLAA154WA04

ACCEPTED BY :

| APPROVED BY | CHECKED BY | PREPARED BY |
|-------------|------------|-----------------------------------|
| | | CPT TFT-PPM Neptune 1/10'05 |

Prepared by : TFT-LCD Product Planning Management Division

CHUNGHWA PICTUER TUBES, LTD.

1127 Hopin Rd., Padeh, Taoyuan, Taiwan 334, R.O.C.

| | | | |
|---------|--|-------------|------------|
| Doc.No: | | Issue Date: | 2005/01/10 |
|---------|--|-------------|------------|

RECORD OF REVISIONS

| Revision No. | Date | Description |
|---------------------|-------------|--|
| Ver.1 | 2005/1/05 | First issued. |
| Ver.2 | 2005/1/10 | 1. Power (Page 3) 7.0 max → 7.8 max(with Inverter) 2. Weight (Page 3) Add weight (with Inverter) : 600 max 3. Lamp Voltage (Page 4) Explain the range of lamp voltage 4. Interface Timing Chart (Page11) Change the showing mode to explain timing clearly. 5. Mechanical Specification (Page 16) Add torque : 2.5kgf |
| | | |
| | | |
| | | |
| | | |
| | | |
| | | |
| | | |
| | | |
| | | |
| | | |
| | | |
| | | |
| | | |
| | | |

CONTENTS

| NO. | ITEM | Page |
|------------|---|-------------|
| 1 | OVERVIEW | 3 |
| 2 | ABSOLUTE MAXIMUM RATINGS | 4 |
| 3 | ELECTRICAL CHARACTERISTICS | 5 |
| 4 | CONNECTOR INTERFACE PIN & FUNCTION | 9 |
| 5 | INTERFACE TIMING CHART | 11 |
| 6 | BLOCK DIAGRAM | 14 |
| 7 | MECHANICAL SPECIFICATION | 15 |
| 8 | OPTICAL CHARACTERISTICS | 17 |
| 9 | RELIABILITY TEST CONDITIONS | 20 |
| | INVERTER | 21 |
| 10 | HANDLING PRECAUTIONS FOR TFT-LCD MODULE | 22 |

1. OVERVIEW

CLAA154WA04 is 15.4" color (39.116cm) TFT-LCD (Thin Film Transistor Liquid Crystal Display) module composed of LCD panel, LVDS driver ICs, control circuit and backlight. By applying 6 bit digital data, 1280×RGB(3)×800, 262K-color images are displayed on the 15.4" diagonal screen. Inverter for backlight is included in this module(Invert vender : SUMIDA , mode : IV11145T).General specification are summarized in the following table :

| ITEM | SPECIFICATION |
|---------------------------------|---|
| Display Area (mm) | 331.2 (H)×207.0 (V) (15.4-inch diagonal) |
| Number of Pixels | 1280 ×3(H)×800(V) |
| Pixel Pitch (mm) | 0.25875(H)×0.25875(V) |
| Color Pixel Arrangement | RGB vertical stripe |
| Display Mode | Normally white TN |
| Number of Colors | 262,144 |
| Gamut | 50% |
| Optimum Viewing Angle | 6 o'clock |
| Brightness (cd/m ²) | 170 typ. @ 6mA (5point) 150 min.@ 6mA (5point) |
| Uniformity | 5point : 20% 13point : 35% |
| Viewing Angle | 40°、40° /15°、55° (min.) |
| Consumption of Power (W) | 7.8 max (with Inverter) |
| Module Size (mm) | 344.5(W)×222.5(H)×6.2(D) (max) |
| Module Weight (g) | 585 max. (without Inverter) 600 max. (with Inverter) |
| Backlight Unit | CCFL,1 tube, Edge light (bottom) |

The LCD Products listed on this document are not suitable for use of aerospace equipment, submarine cable, and nuclear reactor control system and life support systems. If customers intend to use these LCD products for above application or not listed in "Standard" as follows, please contact our sales in advance.

Standard :

Computer, Office equipment, Communication equipment, Test and Measurement equipment, Machine tool, Industrial robot, Audio and Visual equipment, Other consumer products.

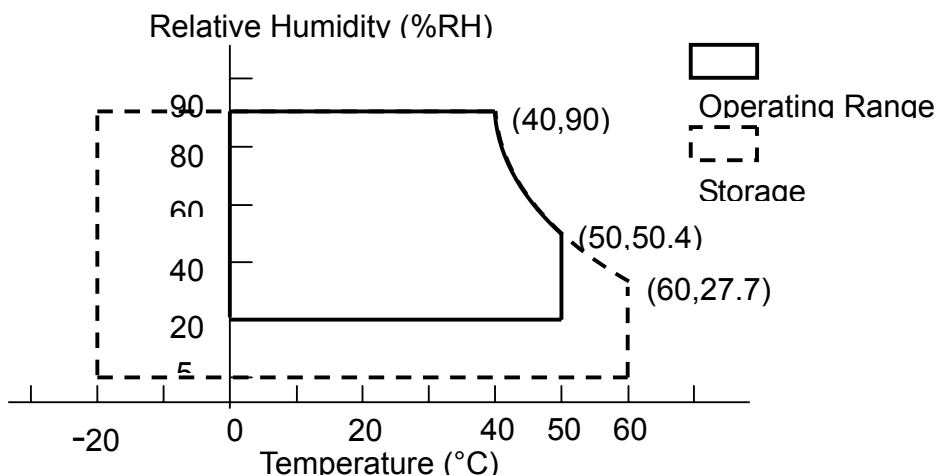
2. ABSOLUTE MAXIMUM RATINGS

The following are maximum value, which if exceeded, may cause faulty operation or damage to the unit.

| ITEM | SYMBOL | MIN. | MAX. | UNIT | REMARK |
|------------------------------|--------|------|------|-------|--------------|
| Power Supply Voltage for LCD | VCC | 0 | 4.0 | V | |
| Lamp voltage | VL | 710 | 960 | Vrms | *1) |
| Lamp current | IL | 2 | 6.5 | mArms | *2) *3) |
| Lamp frequency | FL | 50 | 80 | KHz | |
| Operation Temperature | Top | 0 | 50 | °C | *4)*5)*6)*7) |
| Storage Temperature | Tstg | -25 | 65 | °C | *4)*5)*6) |
| Delayed Discharge Time | TD | -- | 1 | sec | *8) |

【Note】

- *1) Min value is at IL 6.5mA and Max value is at IL 2.0mA.
- *2) Product life-time relate to the lamp current, please operate following statement “(B)Back light system” at page 8.
- *3) When lamp current over the definition of absolute max. value , life-time of the product will decay rapidly or operate unusual.
- *4) The relative temperature and humidity range are as below sketch, 90%RH Max. ($T_a \leq 40^\circ\text{C}$)
- *5) The maximum wet bulb temperature $\leq 39^\circ\text{C}$ ($T_a > 40^\circ\text{C}$) and without dewing.
- *6) If users use the product out off the environment operation range (temperature and humidity) , it will concern for visual quality.
- *7) The product must work at operation temperature range and the surface temperature of the panel’s center point must be lower then 60°C .
- *8) Delay discharge time(TD) test condition : starting lamp voltage=1650Vrms.(please follow statement”(B)Back light system” at page 8.
Before TD test, lamp should be start at least 1 min at the typical value of lamp current and then place the panel at room temp.($25 \pm 2^\circ\text{C}$) exceed 24hrs. Measuring the TD value at the same condition (starting lamp voltage) in dark room.



3. ELECTRICAL CHARACTERISTICS

(A) TFT LCD

Ta=25°C

| TEM | SYMBOL | MIN | TYP | MAX | UNIT | REMARK | |
|--|----------------------------|-----|-------|------|-------|--------|---------------|
| LCD Power Voltage | VCC | 3.0 | 3.3 | 3.6 | V | *1) | |
| LCD Power Current | ICC | - | 400 | 600 | mA | *2) | |
| Rush Current | Irush | - | - | 2 | A | *3) | |
| Logic Input Voltage (LVDS: In+,In-)*4) | Input Voltage | VIN | 0 | - | VCC | V | |
| | Common Voltage | VCM | 1.125 | 1.25 | 1.375 | V | |
| | Differential Input Voltage | VID | 250 | 350 | 450 | mV | |
| | Threshold Voltage (HIGH) | VTH | - | - | 100 | mV | FOR Vcm=+1.2V |
| | Threshold Voltage (LOW) | VTL | -100 | - | - | mV | |
| Differential Input Voltage Tolerance | ΔVID | - | - | 35 | mV | | |
| Common Voltage Tolerance | ΔVCM | - | - | 35 | mV | | |

【Note】

*1)Power sequence :

$t1 \leq 10\text{ms}$

$0.01 \text{ ms} < t2 \leq 50 \text{ ms}$

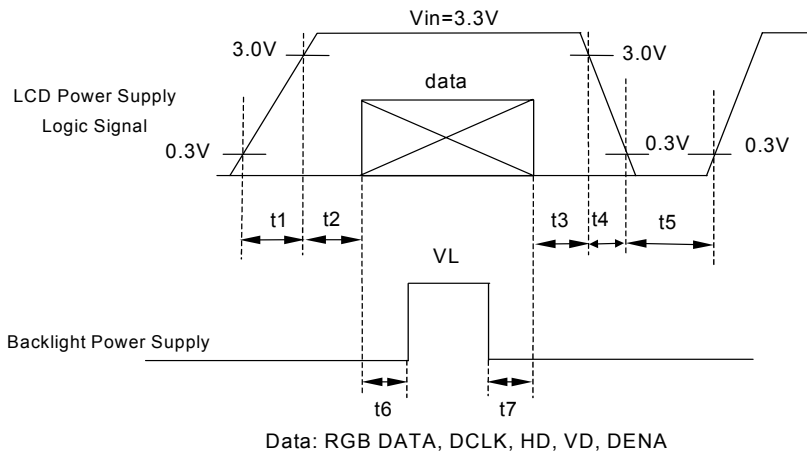
$0.01 \text{ ms} < t3 \leq 50 \text{ ms}$

$0.01 \text{ ms} < t4 \leq 10 \text{ ms}$

$1 \text{ sec} \leq t5$

$300 \text{ ms} \leq t6$

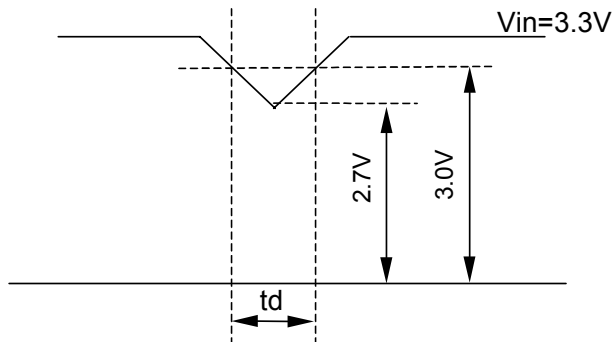
$300 \text{ ms} \leq t7$



VCC-dip state

(1) When $3.0 > VCC \geq 2.7V$, $t_d \leq 10$ ms

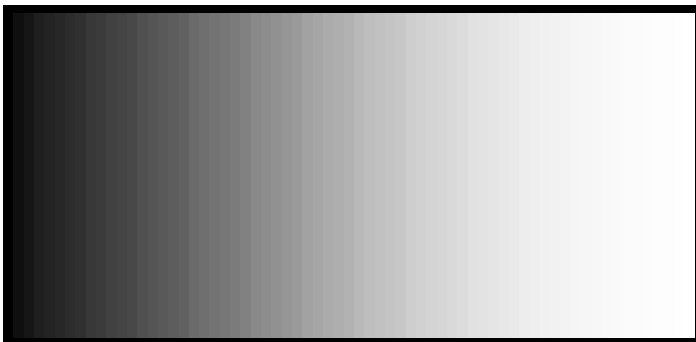
(2) When $VCC < 2.7V$, if it works abnormal that must reset the power. VCC dip conditions should follow VCC turn on conditions.



*2) Power current :

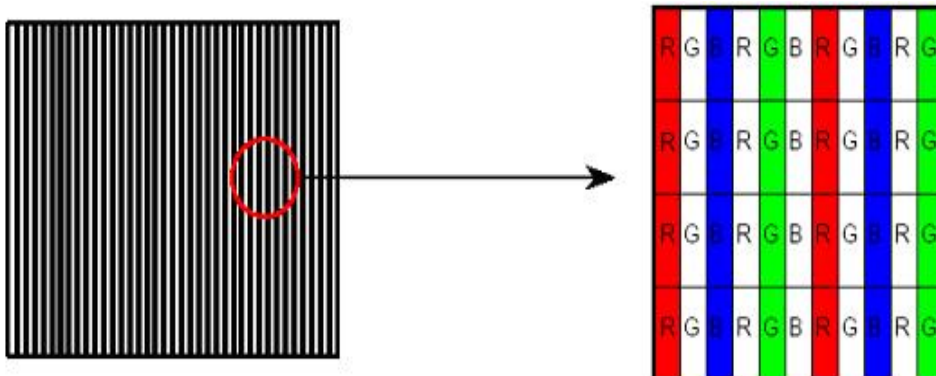
(1) Typical value : Typical value is 64-Gray (0~63 gray) level.(Horizontal line Pattern)

$VCC=3.3$ V, $f_V=60$ Hz, $f_H=48.9$ kHz, $f_{CLK}=68.9$ MHz

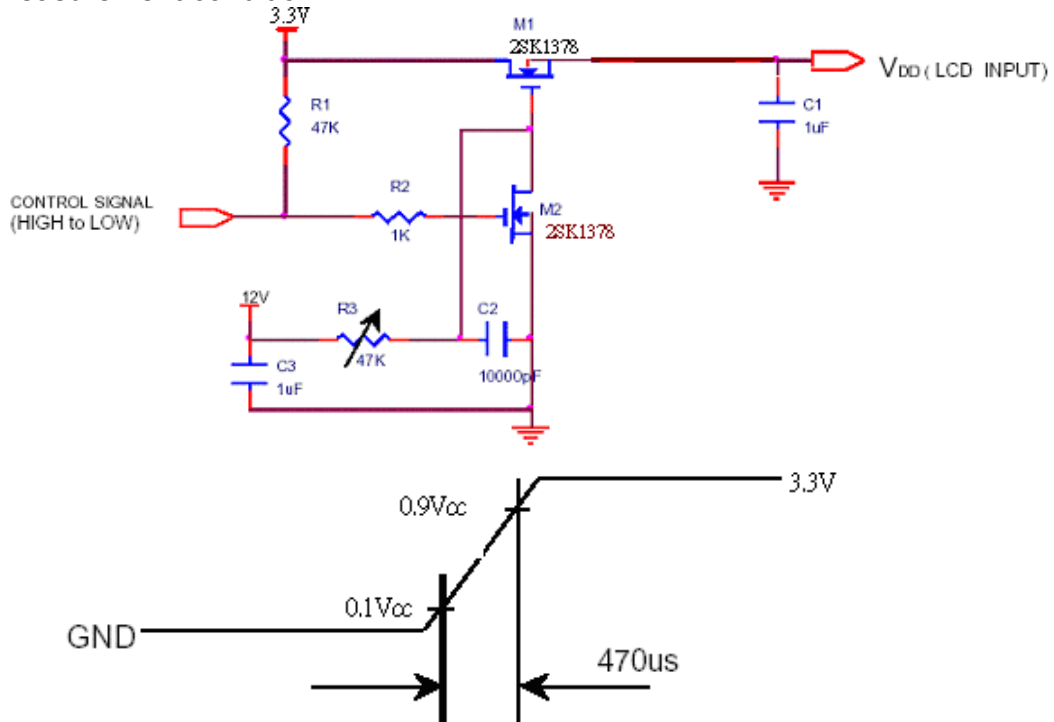


(2) Max. value :

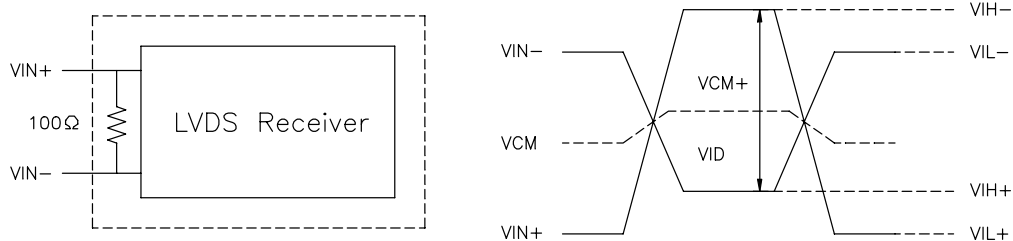
$VCC=3.3$ V, $f_V=60$ Hz, $f_H=48.9$ kHz, $f_{CLK}=68.9$ MHz



*3) Irush measurement condition :



*4) LVDS signal definition :



$$\begin{aligned}
 VID &= VIN_+ - VIN_-, \\
 \Delta VCM &= |VCM_+ - VCM_-|, \\
 \Delta VID &= |VID_+ - VID_-|, \\
 VID_+ &= |VIH_+ - VIL_-|, \\
 VID_- &= |VIL_+ - VIH_-|, \\
 VCM &= (VIN_+ + VIN_-)/2, \\
 VCM_+ &= (VIH_+ + VIH_-)/2, \\
 VCM_- &= (VIL_+ + VIL_-)/2,
 \end{aligned}$$

VIN+ : Positive differential DATA & CLK Input

VIN- : Negative differential DATA & CLK Input

(B) Back light system

(a) Electrical characteristics :

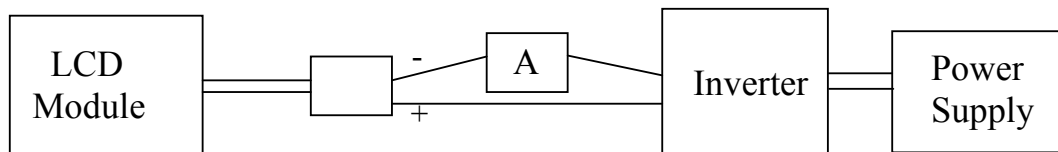
| ITEM | SYMBOL | MIN | TYP | MAX | UNIT | REMARK |
|-----------------------|--------|------|-----|-----|-------|-------------------|
| Lamp Voltage | VL | 657 | 730 | 803 | Vrms | IL=6.0mA, Ta=25°C |
| Lamp Current | IL | 2.0 | 6.0 | 6.5 | mArms | *1), Ta=25°C |
| Inverter Frequency | FI | 50 | -- | 60 | KHz | *2), Ta=25°C |
| Starting Lamp Voltage | VS | 1460 | -- | -- | Vrms | Ta=25°C |
| | | 1650 | -- | -- | Vrms | Ta=0°C |

(b) Lamp life time

| ITEM | IL at 2.0 mA | IL at 6.0 mA | IL at 6.5 mA | UNIT | REMARK |
|------------------------|--------------|--------------|--------------|------|-------------------------|
| LAMP LIFE-TIME (LT) | -- | Min. 15,000 | -- | hr | Continuous Operation*3) |
| Turn on /off Operation | -- | Min.100,000 | -- | time | Test condition *4) |

【Note】

*1) Measure method of lamp current : Galvanometer connect to low voltage



*2) Inverter frequency :

- a. At this frequency range, electrical and optical characteristics could keep in $\pm 10\%$ range(except color coordinate).
- b. Electrical and optical characteristics will display well at 50~60 kHz frequency.
- c. It would not damage the lifetime and reliability of the panel at 50~80 kHz frequency.
- d. Lamp frequency of inverter may produce interference with horizontal synchronous frequency, and this may cause horizontal beat on the display. Therefore, please adjust lamp frequency, and keep inverter as far from module as possible or use electronic shielding between inverter and module to avoid the interference.

*3) Definition of the lamp life time :

- a. Luminance: Luminance(center point)reduced to 50% of the initial value
- b. Starting lamp voltage: Vs > 130% of initial Vs value(@ 25°C)

*4) The condition of Turn-on and Turn-off operation is as below:

- a. Lamp current is 6.0mA
- b. Frequency is 10 sec.(on)/10 sec.(off)
- c. Repeat it for 100,000 times
- d. The variation of color coordinate of lamp must smaller than ± 0.03
- e. Starting lamp voltage should not exceed 130% of the initial value.
- f. Lamp luminance must grater then 50% of the initial value.

4.Connector Interface PIN & Function *1)*2)

(A) CN1(Interface signal)

Outlet connector: FI-XB30SL-HF10 (JAE)

Link connector: FI-X30H (JAE, Link Type)

| Pin No. | SYMBOL | Function |
|---------|-----------|---|
| 1 | GND | Ground |
| 2 | Vcc | +3.3V |
| 3 | Vcc | +3.3V |
| 4 | V_EDID | DDC 3.3V Power |
| 5 | BIST | Build in self-test pattern (0: Normal operation, 1: Test pattern mode) |
| 6 | CLK_EDID | DDC Clock |
| 7 | DATA_EDID | DDC Data |
| 8 | R0M | minus signal of channel 0(LVDS) |
| 9 | R0P | plus signal of channel 0(LVDS) |
| 10 | GND | Ground |
| 11 | R1M | minus signal of channel 1(LVDS) |
| 12 | R1P | plus signal of channel 1(LVDS) |
| 13 | GND | Ground |
| 14 | R2M | minus signal of channel 2(LVDS) |
| 15 | R2P | plus signal of channel 2(LVDS) |
| 16 | GND | Ground |
| 17 | RCLKM | minus signal of clock channel (LVDS) |
| 18 | RCLKP | plus signal of clock channel (LVDS) |
| 19 | GND | Ground |
| 20 | NC | No connect |
| 21 | NC | VCOM test provided, but customer-end unused (open) |
| 22 | NC | No connect |
| 23 | NC | No connect |
| 24 | NC | No connect |
| 25 | NC | No connect |
| 26 | NC | No connect |
| 27 | NC | No connect |
| 28 | NC | No connect |
| 29 | NC | No connect |
| 30 | NC | No connect |

【Note】

*1) DDC: Display Data Requirements

*2) Refer to Data Mapping of page 11, 12, 13

*3) BIST(Build in self-test pattern)

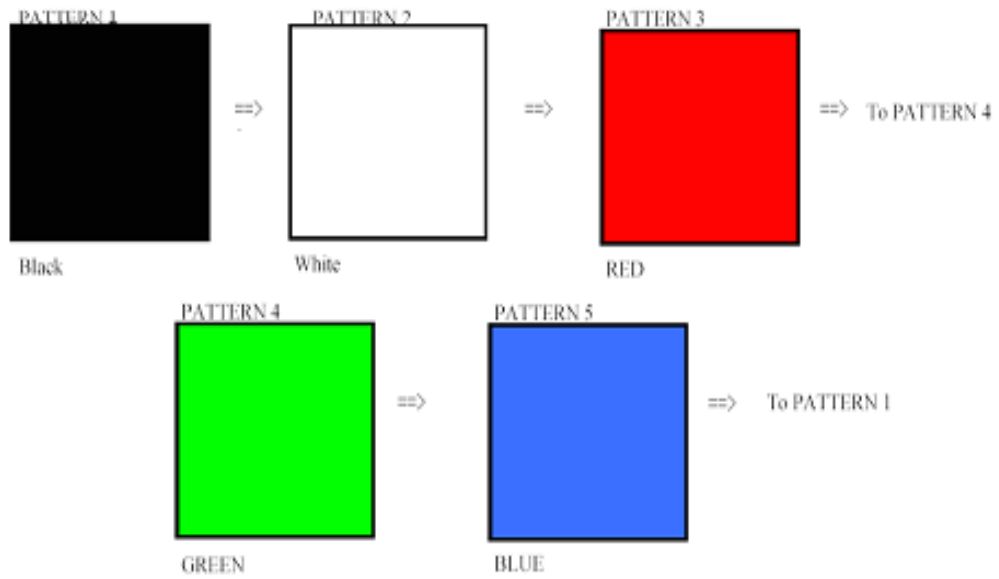
BIST pin = low(GND) : Normal

BIST pin = high(VCC) : Self-test mode

1) Self-test Display Pattern will change when pin 5 is at high voltage and no LVDS input signals would be detected, as following patterns runs continuously. (Black, White, Red, Green and Blue).

2) Pattern sequence

Pattern1→ Pattern2→ Pattern3→ Pattern4→ Pattern5→Pattern1→.....



(B) CN2 (Back light) *1)*2)

Backlight-side connector: BHSR-02VS-1 (JST)

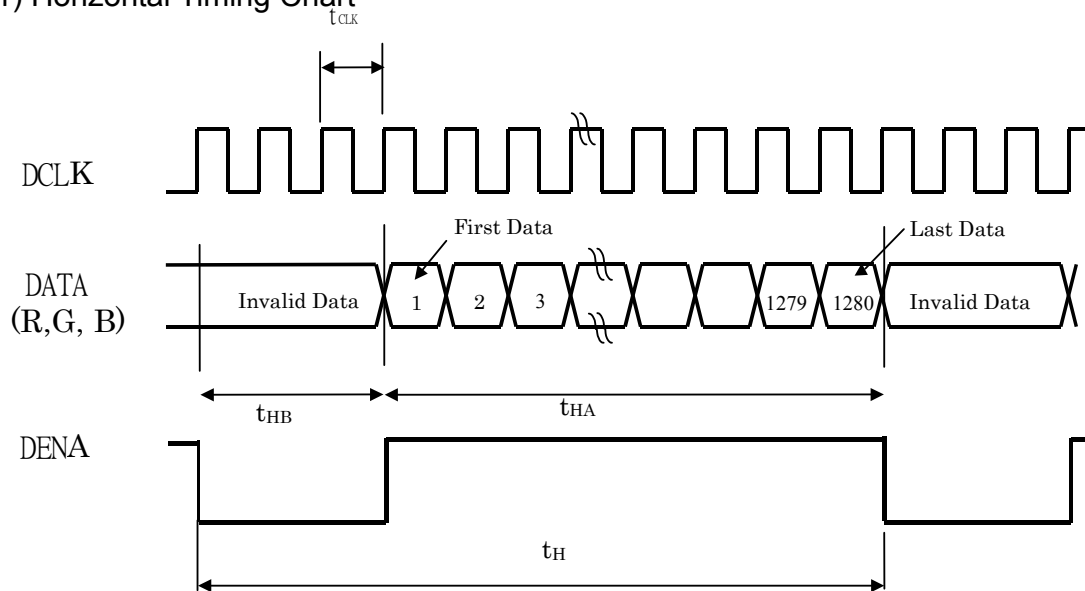
Inverter-side connector: SM02B-BHSS-1 (JST)

| Pin No. | Symbol | Function |
|---------|--------|---------------------|
| 1 | CTH | VBLH (High voltage) |
| 2 | CTL | VBLL (Low voltage) |

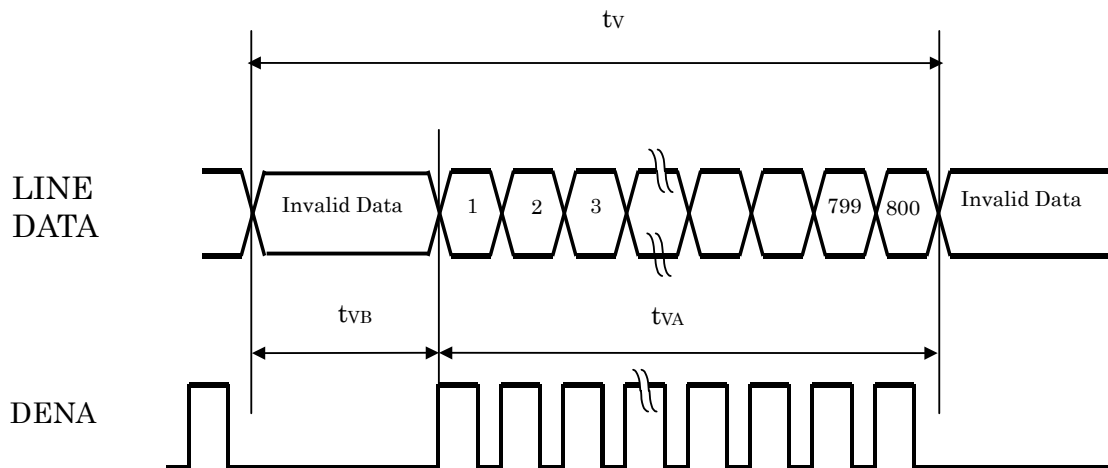
5. INTERFACE TIMING CHART

(A) Timing Chart

1) Horizontal Timing Chart



2) Vertical Timing Chart



(B) Timing Specifications

| ITEM | | SYMBOL | MIN | TYP | MAX | UNIT | |
|------|------------|------------------------|----------|------|-------|------|-----------|
| DCLK | Frequency | f_{CLK} | 65.3 | 68.9 | 74.7 | MHz | |
| | Period | t_{CLK} | 15.3 | 14.5 | 13.3 | ns | |
| DENA | Horizontal | Horizontal Total Time | t_H | 1344 | 1408 | 1500 | t_{CLK} |
| | | Horizontal Active Time | t_{HA} | - | 1280 | - | t_{CLK} |
| | | Horizontal Blank Time | t_{HB} | 64 | 128 | 220 | t_{CLK} |
| | | Line Rate | f_H | 45.9 | 48.96 | 51.3 | KHz |
| | Vertical | Vertical Total Time | t_V | 810 | 816 | 830 | t_H |
| | | Vertical Active Time | t_{VA} | - | 800 | - | t_H |
| | | Vertical Blank Time | t_{VB} | 10 | 16 | 30 | t_H |
| | | Frame Rate | f_V | 55 | 60 | 63 | Hz |

[Note]

- *1) Polarity of DENA is positive in this specification.
- *2) DCLK should appear during all blanking period.

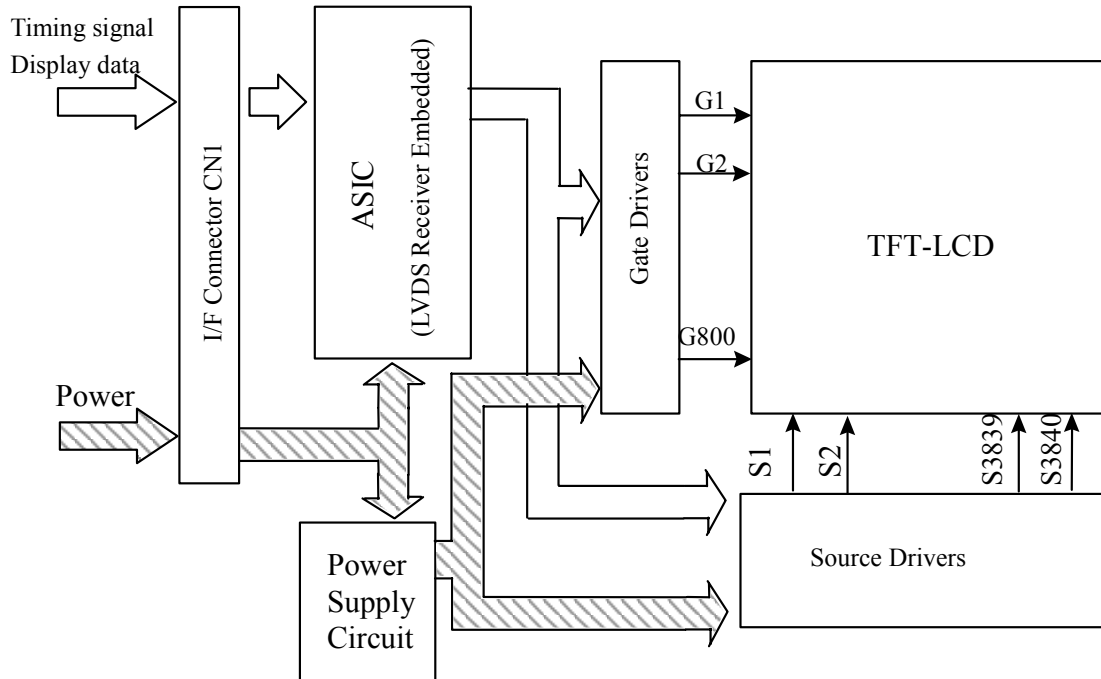
(C) DATA mapping

| Color | Input Data | R DATA | | | | | | G DATA | | | | | | B DATA | | | | | |
|-------------|------------|--------|----|----|----|----|-----|--------|----|----|----|----|-----|--------|----|----|----|----|-----|
| | | R5 | R4 | R3 | R2 | R1 | R0 | G5 | G4 | G3 | G2 | G1 | G0 | B5 | B4 | B3 | B2 | B1 | B0 |
| | | MSB | | | | | LSB | MSB | | | | | LSB | MSB | | | | | LSB |
| Basic Color | Black | 0 | 0 | 0 | 0 | 0 | 0 | 0 | 0 | 0 | 0 | 0 | 0 | 0 | 0 | 0 | 0 | 0 | 0 |
| | Red (63) | 1 | 1 | 1 | 1 | 1 | 1 | 0 | 0 | 0 | 0 | 0 | 0 | 0 | 0 | 0 | 0 | 0 | 0 |
| | Green (63) | 0 | 0 | 0 | 0 | 0 | 0 | 1 | 1 | 1 | 1 | 1 | 1 | 0 | 0 | 0 | 0 | 0 | 0 |
| | Blue (63) | 0 | 0 | 0 | 0 | 0 | 0 | 0 | 0 | 0 | 0 | 0 | 0 | 1 | 1 | 1 | 1 | 1 | 1 |
| | Cyan | 0 | 0 | 0 | 0 | 0 | 0 | 1 | 1 | 1 | 1 | 1 | 1 | 1 | 1 | 1 | 1 | 1 | 1 |
| | Magenta | 1 | 1 | 1 | 1 | 1 | 1 | 0 | 0 | 0 | 0 | 0 | 0 | 1 | 1 | 1 | 1 | 1 | 1 |
| | Yellow | 1 | 1 | 1 | 1 | 1 | 1 | 1 | 1 | 1 | 1 | 1 | 1 | 0 | 0 | 0 | 0 | 0 | 0 |
| | White | 1 | 1 | 1 | 1 | 1 | 1 | 1 | 1 | 1 | 1 | 1 | 1 | 1 | 1 | 1 | 1 | 1 | 1 |
| RED | RED (0) | 0 | 0 | 0 | 0 | 0 | 0 | 0 | 0 | 0 | 0 | 0 | 0 | 0 | 0 | 0 | 0 | 0 | 0 |
| | RED (1) | 0 | 0 | 0 | 0 | 0 | 1 | 0 | 0 | 0 | 0 | 0 | 0 | 0 | 0 | 0 | 0 | 0 | 0 |
| | RED (2) | 0 | 0 | 0 | 0 | 1 | 0 | 0 | 0 | 0 | 0 | 0 | 0 | 0 | 0 | 0 | 0 | 0 | 0 |
| | | | | | | | | | | | | | | | | | | | |
| | RED (62) | 1 | 1 | 1 | 1 | 1 | 0 | 0 | 0 | 0 | 0 | 0 | 0 | 0 | 0 | 0 | 0 | 0 | 0 |
| | RED (63) | 1 | 1 | 1 | 1 | 1 | 1 | 0 | 0 | 0 | 0 | 0 | 0 | 0 | 0 | 0 | 0 | 0 | 0 |
| Green | Green (0) | 0 | 0 | 0 | 0 | 0 | 0 | 0 | 0 | 0 | 0 | 0 | 0 | 0 | 0 | 0 | 0 | 0 | 0 |
| | Green (1) | 0 | 0 | 0 | 0 | 0 | 0 | 0 | 0 | 0 | 0 | 0 | 1 | 0 | 0 | 0 | 0 | 0 | 0 |
| | Green (2) | 0 | 0 | 0 | 0 | 0 | 0 | 0 | 0 | 0 | 0 | 1 | 0 | 0 | 0 | 0 | 0 | 0 | 0 |
| | | | | | | | | | | | | | | | | | | | |
| | Green (62) | 0 | 0 | 0 | 0 | 0 | 0 | 1 | 1 | 1 | 1 | 1 | 0 | 0 | 0 | 0 | 0 | 0 | 0 |
| | Green (63) | 0 | 0 | 0 | 0 | 0 | 0 | 1 | 1 | 1 | 1 | 1 | 1 | 0 | 0 | 0 | 0 | 0 | 0 |
| Blue | Blue (0) | 0 | 0 | 0 | 0 | 0 | 0 | 0 | 0 | 0 | 0 | 0 | 0 | 0 | 0 | 0 | 0 | 0 | 0 |
| | Blue (1) | 0 | 0 | 0 | 0 | 0 | 0 | 0 | 0 | 0 | 0 | 0 | 0 | 0 | 0 | 0 | 0 | 0 | 1 |
| | Blue (2) | 0 | 0 | 0 | 0 | 0 | 0 | 0 | 0 | 0 | 0 | 0 | 0 | 0 | 0 | 0 | 0 | 1 | 0 |
| | | | | | | | | | | | | | | | | | | | |
| | Blue (62) | 0 | 0 | 0 | 0 | 0 | 0 | 0 | 0 | 0 | 0 | 0 | 0 | 1 | 1 | 1 | 1 | 1 | 0 |
| | Blue (63) | 0 | 0 | 0 | 0 | 0 | 0 | 0 | 0 | 0 | 0 | 0 | 0 | 1 | 1 | 1 | 1 | 1 | 1 |

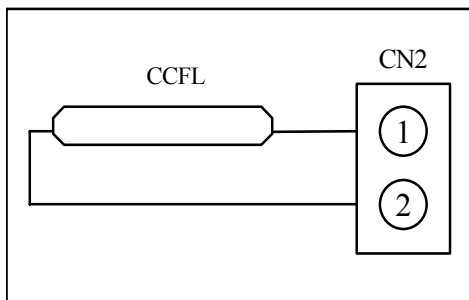
【Note】

- (1) Definition of gray scale:
 Color(n) : n means level of gray scale .
 Larger n means brighter level.
- (2) Data : 1= High , 0 = Low

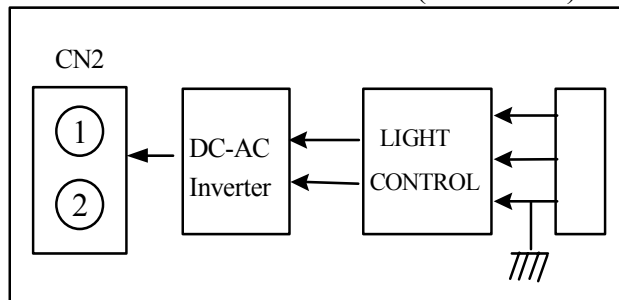
6. BLOCK DIAGRAM



BACK LIGHT



INVERTER CIRCUIT (OUT SIDE)

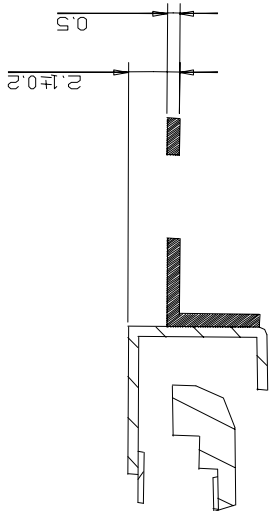


7.MECHANICAL SPECIFICATION

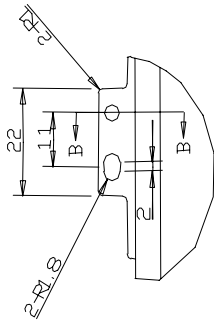
(A) Front side

Tolerance is $\pm 0.5\text{mm}$ unless noted

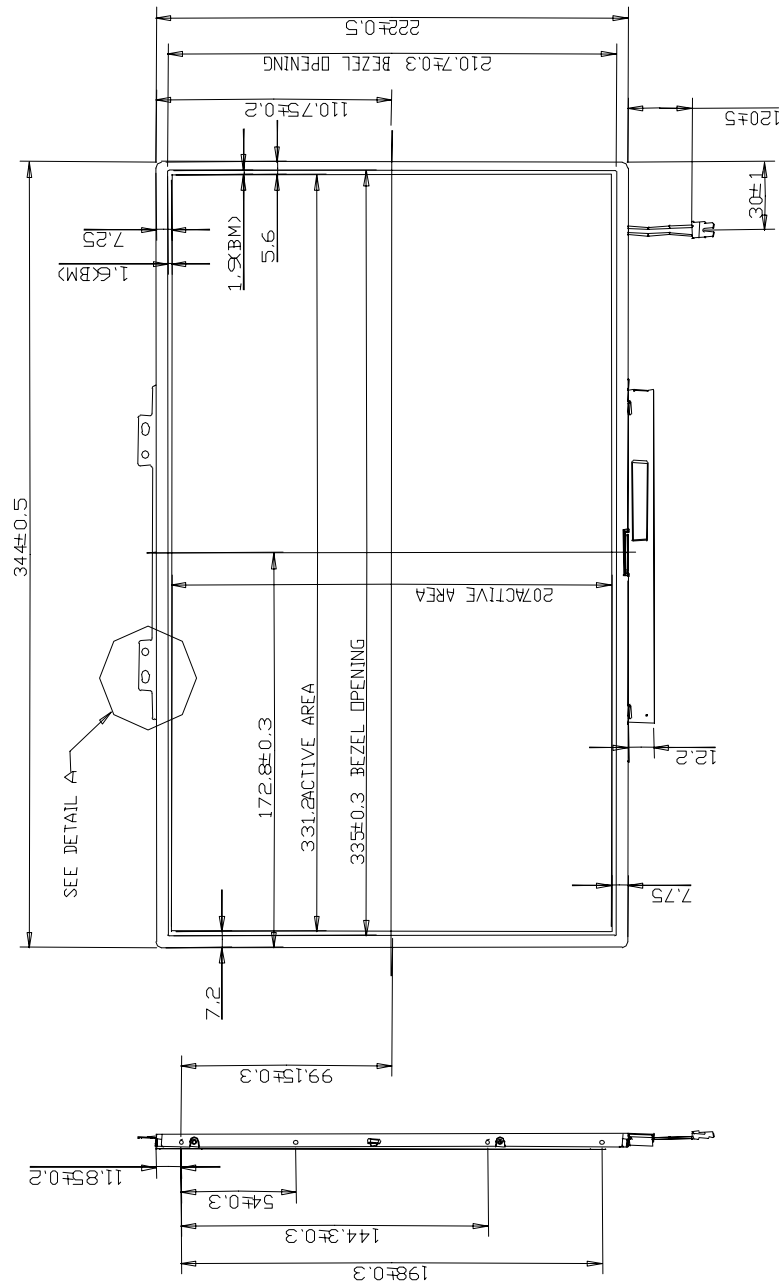
[Unit : mm]



SECTION B-B
SCALE 8:000



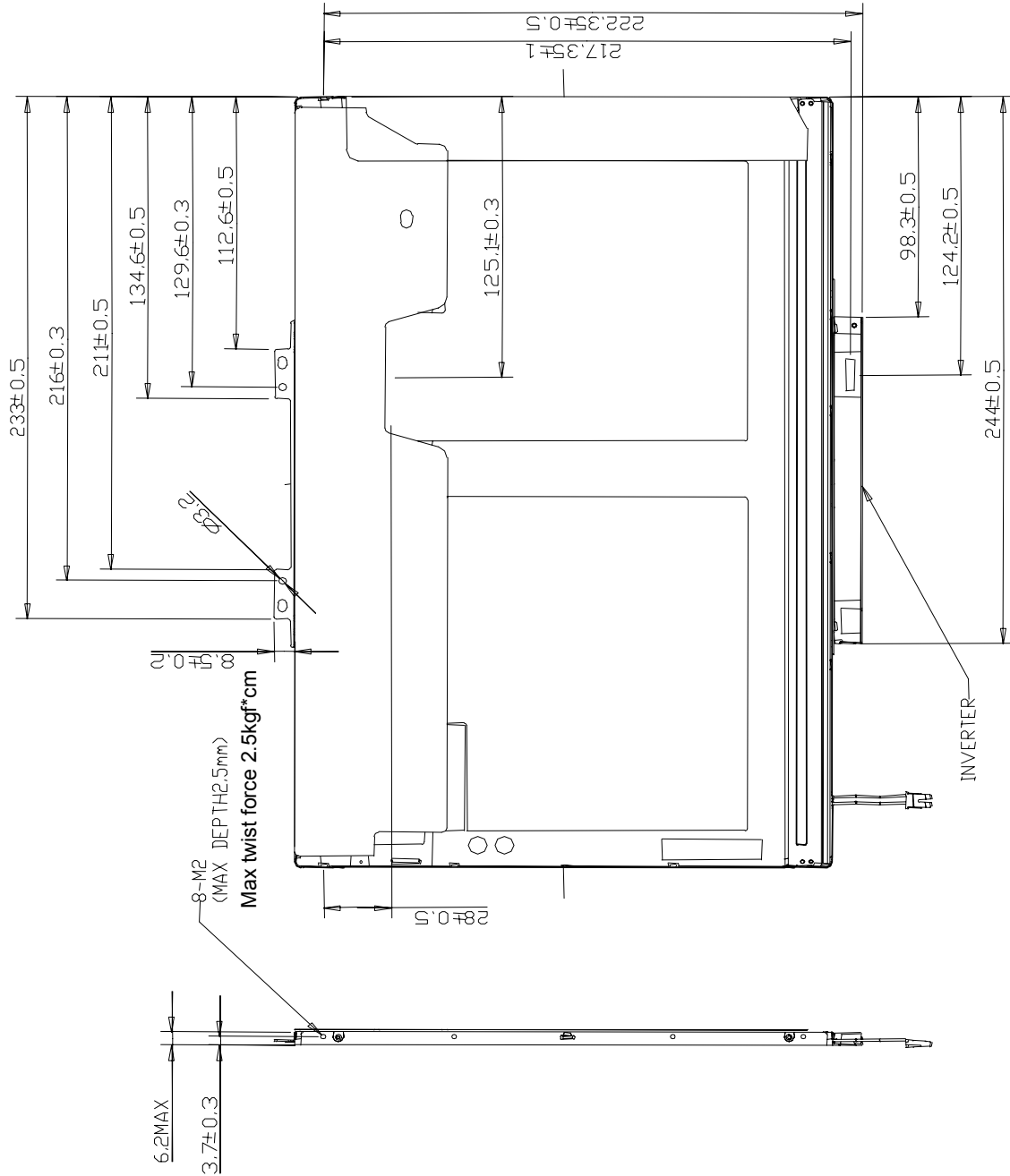
DETAIL A
SCALE 1:500



(B)Rear side

Tolerance is $\pm 0.5\text{mm}$ unless noted

[Unit : mm]



8. OPTICAL CHARACTERISTICS *1)

Ta=25°C , VCC=3.3V

| ITEM | SYMBOL | CONDITION | MIN. | TYP. | MAX. | UNIT | REMARK | |
|------------------------------|------------|---------------------------|---------------------------|--------|--------|-------------------|--------|-----|
| Contrast Uniformity | CR | $\theta = \phi = 0^\circ$ | 300 | 500 | | -- | *2) | |
| Luminance (CEN) | L | $\theta = \phi = 0^\circ$ | 170 | 190 | | cd/m ² | *3) | |
| Luminance (5P) | L | $\theta = \phi = 0^\circ$ | 150 | 170 | | cd/m ² | *3) | |
| Uniformity(5P) | ΔL | $\theta = \phi = 0^\circ$ | | | 20 | % | *3) | |
| Uniformity(13P) | ΔL | $\theta = \phi = 0^\circ$ | | | 35 | % | *3) | |
| Response Time | Tr | $\theta = \phi = 0^\circ$ | | 9 | 12 | ms | *4) | |
| | Tf | $\theta = \phi = 0^\circ$ | | 16 | 23 | ms | *4) | |
| Image sticking | Tis | 16 hours | | - | 2 | min | *5) | |
| Cross talk | CT | $\theta = \phi = 0^{*3}$ | | | 1 | % | *6) | |
| View angle | Horizontal | ϕ | CR \geq 10 | -40/40 | -45/45 | | ° | *7) |
| | Vertical | θ | | 15/-55 | 20/-60 | | ° | |
| Color Temperature Coordinate | W | X | $\theta = \phi = 0^\circ$ | 0.283 | 0.313 | 0.343 | | |
| | | Y | | 0.299 | 0.329 | 0.359 | | |
| | R | X | | 0.584 | 0.614 | 0.644 | | |
| | | Y | | 0.306 | 0.336 | 0.366 | | |
| | G | X | | 0.281 | 0.311 | 0.341 | | |
| | | Y | | 0.534 | 0.564 | 0.594 | | |
| | B | X | | 0.123 | 0.153 | 0.183 | | |
| | | Y | | 0.100 | 0.130 | 0.160 | | |
| Gamut | | $\theta = \phi = 0^\circ$ | 45% | 50% | | % | | |
| Gamma | γ | GL(8~55) | 2.1 | 2.3 | 2.5 | | | |

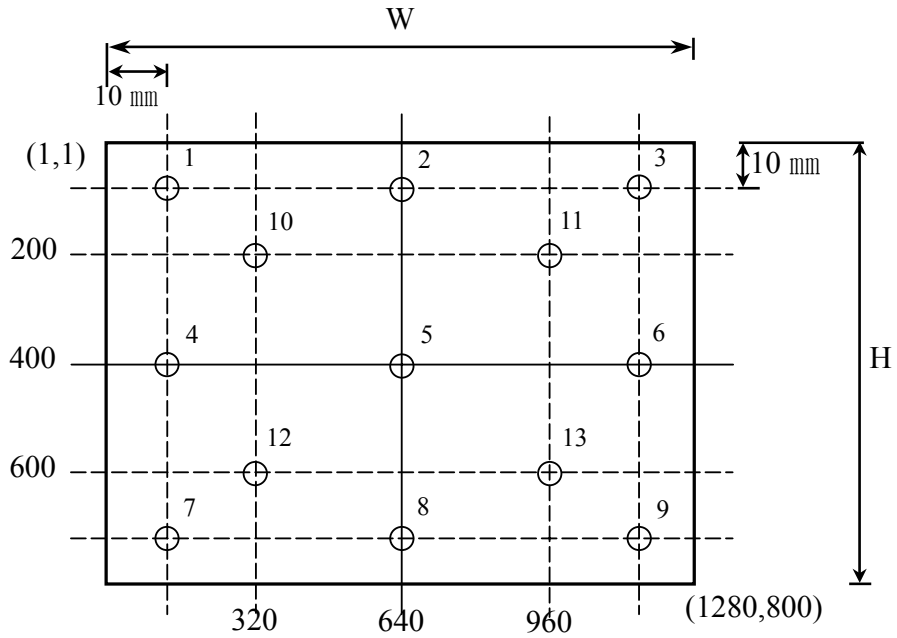
【Note】

*1) Measure device : BM-5A (TOPCON) ; under the dark room condition(no ambient light)
 Measurement Condition : Lamp current: 6.0mA
 Inverter : SUMIDA / IV11145T
 After turning on panel 30 minute, it can start to measure optical character.

*2) Definition of Contrast Ratio :
 CR=ON (White) Luminance/ OFF(Black) Luminance

*3) Definition of Luminance and Luminance uniformity Central luminance:
 Central luminance : Measuring the white luminance of 5th point in the below figure.
 5P Luminance (AVG): Measuring white luminance of 5 points (no.5,10,11,12,13) in the below figure and take the average value.
 5P Uniformity: $\Delta L = [(L_{MAX} - L_{MIN})/L_{MIN}] \times 100\%$
 13P Uniformity: $\Delta L = [(L_{MAX} - L_{MIN})/L_{MIN}] \times 100\%$

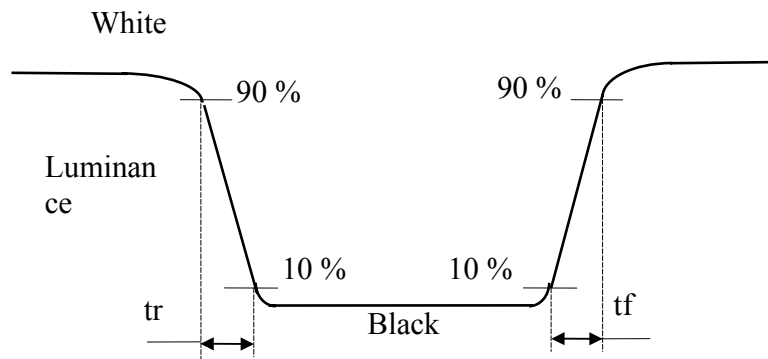
Measuring points are as below.



*4) Definition of response time

Change the module frame to Black/white pattern and measure t_r and t_f .

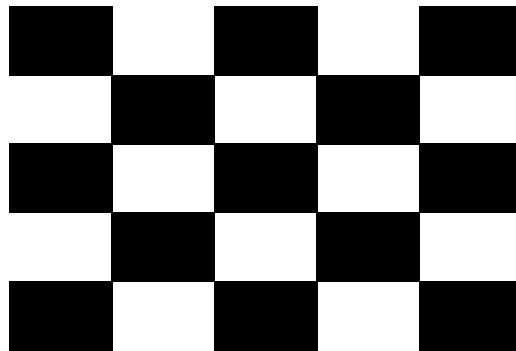
Equipment : Westar TDR-100



*5) Definition of image sticking

Continuously display the test pattern showing in the below figure for 16 hrs at 25°C.

Then switch to gray pattern (the thirty-second gray level pattern), and the previous image should not persist more than two min .



White : 63 Gray
Black : 0 Gray

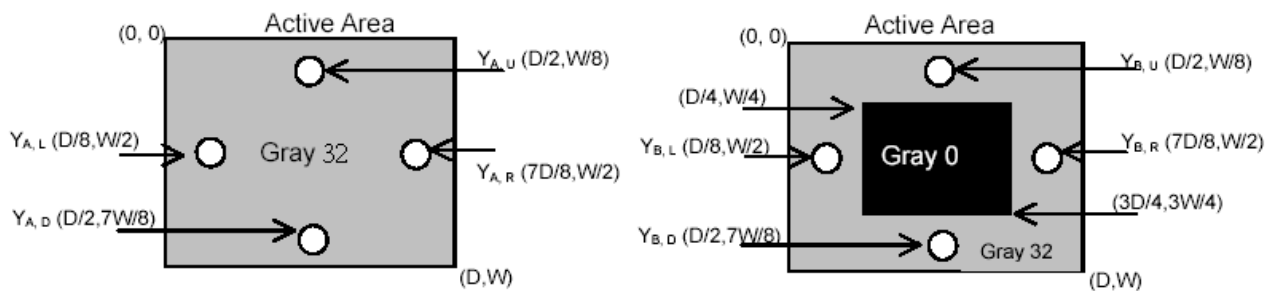
*6) Crosstalk Ratio measure method

$$CT = |Y_B - Y_A| / Y_A \times 100 (\%)$$

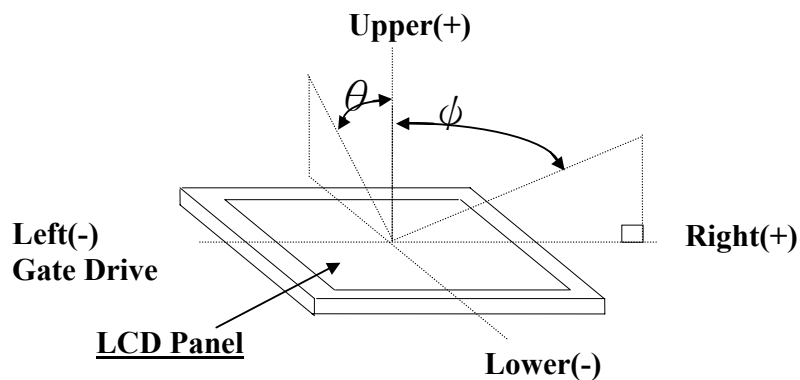
Y_A · Y_B measure position and definition

Y_A means luminance at gray level 32 (exclude gray level 0 pattern)

Y_B means luminance at gray level 32 (include gray level 0 pattern)



*7) Definition of view angle(θ , ϕ)



9. RELIABILITY TEST CONDITIONS

(A) Temperature and Humidity

| TEST ITEMS | CONDITIONS |
|---|--|
| High Temperature Operation | 50° C ; 250hrs |
| High Temperature Storage | 65° C ; 250hrs |
| High Temperature High Humidity Operation | 40° C ; 95% RH ; 250hrs (No condensation) |
| High Temperature High Humidity Storage | 60° C ; 90% RH ; 48hrs (No condensation) |
| Low Temperature Operation | 0° C ; 250hrs |
| Low Temperature Storage | -25° C ; 250hrs |
| Thermal Shock | -25°C to +65°C, 100 cycles Ramp ≥20°C/min Duration 30 min at temp. |

(B) Shock & Vibration

| TEST ITEMS | CONDITIONS |
|------------------------------|---|
| Shock (Non-Operation) | Shock level: 2450m/s ² (250G), Waveform: half sinusoidal wave, 2ms 6 axis (± X, ± Y, ± Z) per cycle |
| Vibration (Non-Operation) | Vibration level: 14.7m/s ² (1.5G), sinusoidal wave (each x,y,z axis: 1hr, total 3 hrs) Frequency range: 5Hz to 500 Hz Sweep speed : 0.5 Octave/min. |

(C) ESD test

| Test Item | Test statements |
|-----------|---|
| Connector | 200 pF , 0 Ω , ±250 V By using contact-mode to discharge each pin one time and then check the module frame. |
| Module | 150pF , 330Ω , ±15KV 1. Under test conditions, by using air-mode to discharge each test point 25 times continuously and then check the module frame. 2. Under test conditions, by using contact-mode to discharge each test point of panel frame 25 times continuously and then check the module frame. |

(D) Judgment standard

The judgment of the above test should be made as follow:

Pass : Normal display image with no obvious non-uniformity and no line defect.

Partial transformation of the module parts should be ignored.

Fail : No display image, obvious non-uniformity, or line defects.

10. INVERTER *1)

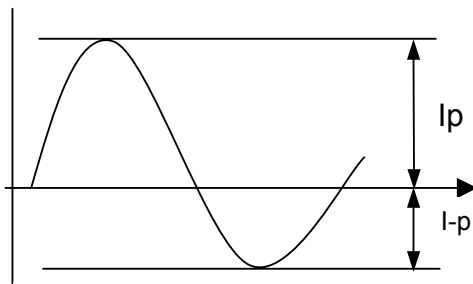
Ta=25±2°C

| Item | | Min | Typ | Max | Unit | Note |
|----------------------|------------|-----------------------|------|------------------------|---------|---|
| Input Voltage | | 7.5 | 14.4 | 21 | V | |
| Open circuit Voltage | | 1650 | - | 2000 | Vrms | IL=6.0mArms |
| Duty Ratio | | 10 @SMB_DAT FFH | - | 100 @SMB_DAT 00H | % | Vin=14.4V |
| Efficiency*2) | Optical | 20 | - | - | nit / w | After 30min turn on at the center of LCD Vin=14.4V · IL=6.0mArms |
| | Electrical | - | 80 | - | % | |
| Operating Frequency | | 56 | 61 | 66 | KHZ | Vin=14.4V @SMB_DAT=00H |
| Input voltage ripple | | - | - | 0.5 | V | Peak-to-peak |
| Output Current | Max | 5.7 | 6 | 6.3 | mA | SMB_DAT=00H |
| | Min | 1.8 | 2.1 | 2.4 | | SMB_DAT=FFH |
| Shutdown Time | | 1 | - | 2 | sec | |
| In-rush current | | - | - | 1 | A | |
| Start-up time | | - | - | 0.1 | sec | |

【Note】

*1) This Inverter design must follow the below condition :

- The degrees of unbalance : < 10%
- The ratio of wave height : $< \sqrt{2} \pm 15\%$



Ip : high side peak

I-p : low side peak

A : The degrees of unbalance = $| Ip - I-p | / Irms \times 100 (\%)$

B : The ratio of wave height = $Ip \text{ (or } I-p) / Irms$

*2) Efficiency should be calculated as below formulation :

Optical efficiency = output Brightness (nits) / Input power (watt)

Electrical efficiency = output power (watt) / Input power (watt)

11. HANDLING PRECAUTIONS FOR TFT-LCD MODULE

Please pay attention to the followings in handling- TFT-LCD products;

11.1 ASSEMBLY PRECAUTION

- (1) Please use the mounting hole on the module side in installing and do not beading or wrenching LCD in assembling. And please do not drop, bend or twist LCD module in handling.
- (2) Please design display housing in accordance with the following guidelines.
 - Housing case must be destined carefully so as not to put stresses on LCD all sides and not to wrench module. The stresses may cause non-uniformity even if there is no non-uniformity statically.
 - Keep sufficient clearance between LCD module back surface and housing when the LCD module is mounted. Approximately 1.0 mm of the clearance in the design is recommended taking into account the tolerance of LCD module thickness and mounting structure height on the housing.
 - When some parts, such as, FPC cable and ferrite plate, are installed underneath the LCD module, still sufficient clearance is required, such as 0.5mm. This clearance is, especially, to be reconsidered when the additional parts are implemented for EMI countermeasure.
 - Design the inverter location and connector position carefully so as not to give stress to lamp cable, or not to interface the LCD module by the lamp cable.
 - Keep sufficient clearance between LCD module and the others parts, such as inverter and speaker so as not to interface the LCD module. Approximately 1.0mm of the clearance in the design is recommended.
- (3) Please do not push or scratch LCD panel surface with any-thing hard. And do not soil LCD panel surface by touching with bare hands. (Polarizer film, surface of LCD panel is easy to be flawed.)
- (4) Please do not press any parts on the rear side such as source TCP, gate TCP, control circuit board and FPCs during handling LCD module. If pressing rear part is unavoidable, handle the LCD module with care not to damage them.
- (5) Please wipe out LCD panel surface with absorbent cotton or soft clothe in case of it being soiled.
- (6) Please wipe out drops of adhesives like saliva and water on LCD panel surface immediately. They might damage to cause panel surface variation and color change.
- (7) Please do not take a LCD module to pieces and reconstruct it. Resolving and reconstructing modules may cause them not to work well.
- (8) Please do not touch metal frames with bare hands and soiled gloves. A color change of the metal frames can happen during a long preservation of soiled LCD modules.
- (9) Please pay attention to handling lead wire of backlight so that it is not tugged in connecting with inverter.

11.2 OPERATING PRECAUTIONS

- (1) Please be sure to turn off the power supply before connecting and disconnecting signal input cable.
- (2) Please do not change variable resistance settings in LCD module. They are adjusted to the most suitable value. If they are changed, it might happen LCD does not satisfy the characteristics specification.

- (3) Please consider that LCD backlight takes longer time to become stable of radiation characteristics in low temperature than in room temperature.
- (4) A condensation might happen on the surface and inside of LCD module in case of sudden change of ambient temperature.
- (5) Please pay attention to displaying the same pattern for very long time. Image might stick on LCD. If then, time going on can make LCD work well.
- (6) Please obey the same caution descriptions as ones that need to pay attention to ordinary electronic parts.

11.3 PRECAUTIONS WITH ELECTROSTATICS

- (1) This LCD module use CMOS-IC on circuit board and TFT-LCD panel, and so it is easy to be affected by electrostatics. Please be careful with electrostatics by the way of your body connecting to the ground and so on.
- (2) Please remove protection film very slowly on the surface of LCD module to prevent from electrostatics occurrence.

11.4 STORAGE PRECAUTIONS

- (1) When you store LCDs for a long time, it is recommended to keep the temperature between 0°C ~40°C without the exposure of sunlight and to keep the humidity less than 90%RH.
- (2) Please do not leave the LCDs in the environment of high humidity and high temperature such as 60°C and 90%RH.
- (3) Please do not leave the LCDs in the environment of low temperature(below -20°C.)

11.5 SAFETY PRECAUTIONS

- (1) When you waste LCDs, it is recommended to crush damaged or unnecessary LCDs into pieces and wash them off with solvents such as acetone and ethanol, which should later be burned.
- (2) If any liquid leaks out of a damaged-glass cell and comes in contact with the hands, wash off thoroughly with soap and water.

11.6 OTHERS

- (1) A strong incident light into LCD panel might cause display characteristic changing inferior because of polarizer film, color filter, and other materials becoming inferior. Please do not expose LCD module direct sunlight and strong UV rays.
- (2) Please pay attention to a panel side of LCD module not to contact with other materials in preserving it alone.
- (3) For the packaging box, please pay attention to the followings:
 - Packaging box and inner case for LCD are designed to protect the LCDs from the damage or scratch during transportation. Please don't open except picking LCDs up from the box.
 - Please do not pile them up more than 3 boxes. (They are not designed so.) And please do not turn over.
 - Please handle packaging box with care not to give them sudden shock and vibrations. And also please do not throw them up.
 - Packing box and inner case for LCDs are made of cardboard. So please pay attention not to get them wet. (Such like keeping them in high humidity or wet place can occur getting them wet.)