



Chunghwa Picture Tubes, Ltd.

Product Specification

To :

Date : 111027

TFT LCD

CLAA070ND22CW

ACCEPTED BY : (V1.2)

Tentative

APPROVED BY	CHECKED BY	PREPARED BY
鍾昭玟	李家銘	羅宇城

Prepared by :

Product Planning Management Division
Small & Medium TFT Product Business Unit

CHUNGHWA PICTURE TUBES, LTD.

1127 Hopin Rd., Padeh, Taoyuan, Taiwan 334, R.O.C.

TEL: +886-3-3675151 FAX: +886-3-377-3858

Doc.No:	SPEC_CLAA070ND22CW_V1.2_111027	Issue Date	20110907
---------	--------------------------------	------------	----------

REVISION STATUS

Revision Notice	Description	Page	Rev. Date
0.0	First revision (Tentative)	-	2011/01/14
0.1	Modify Brightness spec	4	2011/1/21
0.1	Modify Backlight Spec and LED Circuit Diagram	9	2011/1/21
0.2	Modify Drawing	10	2011/1/27
0.2	Modify Luminance	15	2011/1/27
0.2	Modify backlight current	15	2011/1/27
0.2	Modify Viewing angle	15	2011/1/27
0.3	Modify Drawing	10	2011/1/27
0.3	Modify Luminance	15	2011/1/27
0.3	Modify backlight current	15	2011/1/27
0.3	Modify Viewing angle	15	2011/1/27
0.4	Modify Viewing angle	4	2011/3/2
0.4	Modify Module Size and Weight	4	2011/3/2
0.4	Modify 3.3 Power 、 Signal sequence	7	2011/3/2
0.5	Modify OVERVIEW : Viewing Direction and NTSC	4	2011/3/4
0.5	Modify 8. Reliability test	17	2011/3/4
0.6	Modify 7. optical characteristics : min of Luminance	15	2011/3/10
0.6	Modify MTBF	17	2011/3/10
0.7	Modify Response Time of Overview	4	2011/3/30
0.7	Modify Response Time	15	2011/3/30
0.7	Modify Viewing angle	15	2011/3/30
0.8	Modify Power Consumption	4	2011/04/08
0.8	Modify 3.1 TFT LCD	6	2011/04/08
0.8	Modify 3.2 TFT-LCD Current Consumption & 3.3 Power 、 Signal sequence	7	2011/04/08
0.8	Modify Drawing of U/D and L/R control function	10	2011/04/08
0.8	Modify Drawing of Rear Side	14	2011/04/08
0.9	Modify 3.1 TFT LCD	6	2011/04/22
1.0	Modify Viewing angle	4	2011/05/19
1.0	Modify Front Side	13	2011/05/19
1.0	Modify Viewing angle	15	2011/05/19
1.1	Revised Color Coordinate.	15	2011/08/12
1.2	Modify for Power 、 Signal sequence	7	2011/9/8
1.2	Modify for Color Coordinate	15	2011/9/8

CONTENTS

1. OVERVIEW	4
2. ABSOLUTE MAXIMUM RATINGS	5
3. ELECTRICAL CHARACTERISTICS	6
3.1 TFT LCD	6
3.2 TFT-LCD Current Consumption	7
3.3 Power 、Signal Sequence	7
3.4 Backlight.....	8
4. INTERFACE CONNECTION	9
4.1 CN1 (Input Signal).....	9
5. INPUT SIGNAL(DE ONLY MODE)	11
5.1 Timing Specification	11
5.2 Timing Sequence(Timing chart)	11
5.2.1 Horizontal Timing Sequence	11
5.2.2 Vertical Timing Sequence	12
6. MECHANICAL DIMENSION	13
6.1 Front Side.....	13
6.2 Rear Side	14
7. OPTICAL CHARACTERISTICS	15
8. RELIABILITY TEST	17
8.1 Temperature and Humidity.....	17
8.2 Shock and Vibration	17
8.3 Electrostatic Discharge.....	17
8.4 Judgmen Standard.....	17
9. WARRANTY	17

1. OVERVIEW

CLAA070ND22CW is 7" color TFT-LCD (Thin Film Transistor Liquid Crystal Display) module composed of LCD panel, LVDS driver ICs ,control circuit and LED backlight. By applying 1024×600 images are displayed on the 7" diagonal screen. Display 16.2M colors by R.G.B signal input.

General specification are summarized in the following table :

ITEM	SPECIFICATION			
Display Area (mm)	153.6(H) X 90.0(V) (7-inch diagonal)			
Number of Pixels	1024(H) × 3 (RGB) × 600(V)			
Pixel Pitch (mm)	0.150(H) X 0.150(V)			
Color Pixel Arrangement	RGB vertical stripe			
Display Mode	Normally white			
Number of Colors	16.2M			
Viewing Direction	6 o'clock (Max. contrast ratio, Gray level inversion)			
Brightness (cd/m ²)	350nit(typ)			
Response Time (ms)	25ms(typ.)			
NTSC	50%			
Contrast Ratio	700:1(typ)			
Power Consumption (W)	160degree (Horizontal.)(typ)			
	2.01(Typ.)/2.16(Max.)			
Viewing Angle (CR≥10)	130degree (Vertical)(typ)			
Interface connection	LVDS			
Module Size (mm)		Min.	Typ.	Max.
	Horizontal (H)	165.45	165.75	166.05
	Vertical (V)	105.09	105.39	105.69
	Depth (D)	3.0	3.25	3.5
Module Weight (g)	115 (typ)			
Backlight Unit	LED			
Surface Treatment	Anti-Glare 3H			

2. ABSOLUTE MAXIMUM RATINGS

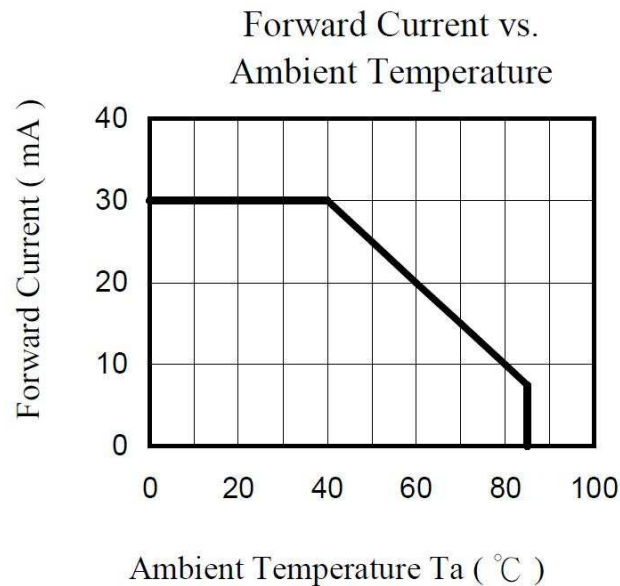
The following are maximum values which, if exceeded, may cause faulty operation or damage to the unit.

Item	Symbol	Min.	Max.	Unit	Note
Digital Supply Voltage	DVDD	-0.3	5	V	
Analog Supply Voltage	AVDD	-0.5	15	V	
Gate On Voltage	VGH	-0.3	40	V	
Gate Off Voltage	VGL	-20	0.3	V	
Gate On-Gate Off Voltage	VGH-VGL	-0.3	40	V	
Signal Input Voltage	RXIN0~ RXIN3- RXIN0+ ~ RXIN3+ RXCLKIN- ~RXCLKIN+	-0.5	5	V	
Forward Current (per LED)	I _f	-	30	mA	
Reverse Voltage (per LED)	V _R	-	5	V	
Pulse forward current (per LED)	I _{fp}	-	100	mA	Note 1 、 2
Operation Temperature	T _{op}	-20	60	°C	Note 3
Storage Temperature	T _{stg}	-30	70	°C	Note 3

Note1 : I_{fp} Conditions : Duty ≤ 1/10 @ Pulse Width ≤ 10msec

Note2 : perating must under the condition as below drawing.

(Ambient Temperature /Allowable Forward Current) Each LED .



Note3 : If users use the product out off the environmental operation range (temperature and humidity) , it will have visual quality concerns.

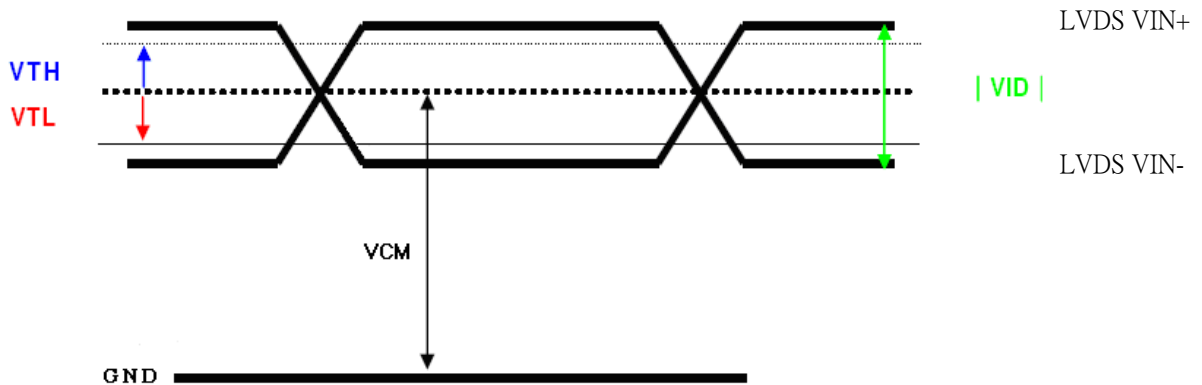
3. ELECTRICAL CHARACTERISTICS

3.1 TFT LCD

Ta=25°C

ITEM	SYMBOL	MIN	TYP	MAX	UNIT	NOTE
Digital Power Supply Voltage For LCD	DVDD	3	3.3	3.6	V	
Logic Input Voltage (LVDS:IN+,IN-)	VCM	$\frac{ VID }{2}$	-	$2.4 - \frac{ VID }{2}$	V	Note1
	VID	200	-	600	mV	Note1
	VTH	-	-	100	mV	VCM=1.2V Note1
	VTL	-100	-	-	mV	
Analog Power Supply Voltage	AVDD	9.4	9.6	9.8	V	
Gate On Power Supply Voltage	VGH	17	18	19	V	
Gate Off Power Supply Voltage	VGL	-6.6	-6	-5.4	V	
Common Power Supply Voltage	VCOM	2.15	2.35	2.55	V	Note2
Logic Input Voltage	VIH	0.7*VCC	-	VCC	V	
	VIL	GND	-	0.3*VCC	V	

【Note1】 LVDS signal



【Note2】 Please adjust VCOM to make the flicker level be minimum.

3.2 TFT-LCD Current Consumption

ITEM	SYMBOL	CONDITION	MIN	TYPE	MAX	UNIT	NOTE
Gate on power current	IVGH	VGH = 18V	--	0.5	1	mA	Note1
Gate off power current	IVGL	VGL = -6V	--	0.5	1	mA	Note1
Digital power current	IVDD	DVDD = 3.3V	--	30	45	mA	Note1
Analog power current	IAVDD	AVDD = 9.6V	--	35	45	mA	Note1
Total Power Consumption	PC		--	447	604	mW	Note1

Note1: Typical: Under 256 gray pattern

Maximum: Under black pattern



256 gray pattern

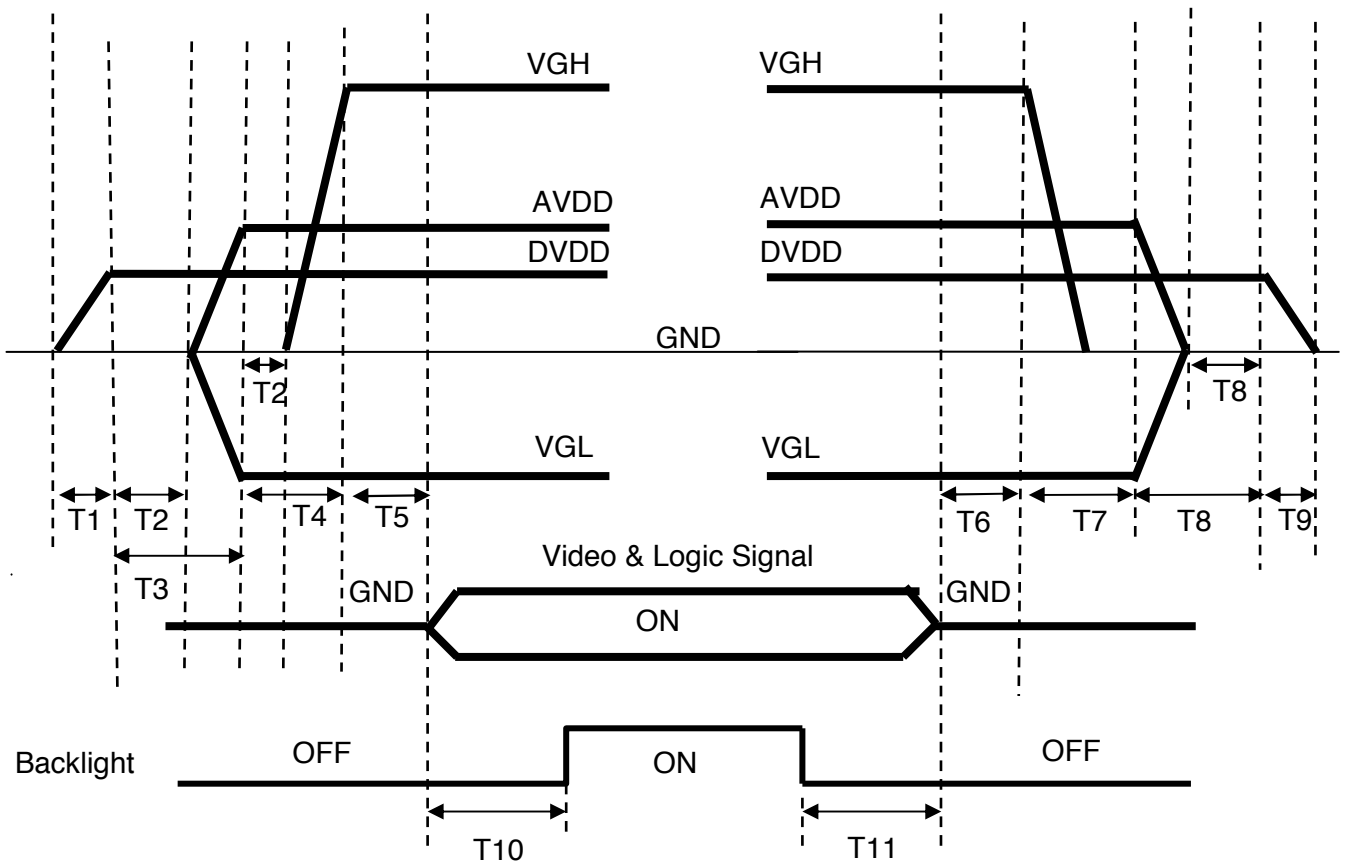


Black Pattern

3.3 Power · Signal Sequence

Power On : DVDD→AVDD/VGL→VGH→Video & Logic Signal→Backlight

Power Off : Backlight→Video & Logic Signal→VGH→AVDD/VGL→DVDD



$0 < T1 \leq 10\text{ms}$
 $T2 > 0\text{ms}$
 $T3 > 20\text{ms}$
 $T4 > 10\text{ms}$
 $0 < T5 \leq 10\text{ms}$
 $T10 \geq 200\text{ms}$

$T6 > 0\text{ms}$
 $T7 > 0\text{ms}$
 $T8 > 0\text{ms}$
 $0 < T9 \leq 10\text{ms}$
 $T11 \geq 200\text{ms}$

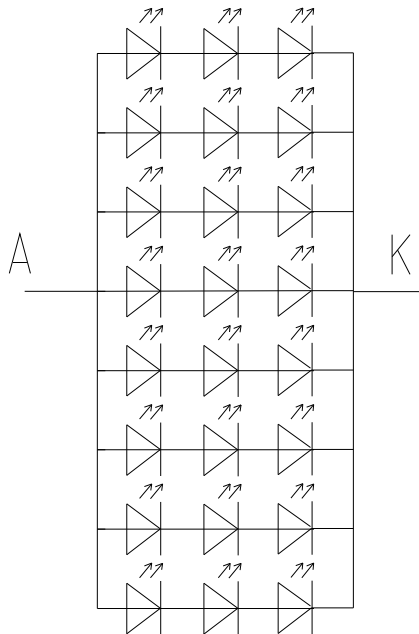
3.4 Backlight

Ta=25°C

ITEM	SYMBOL	CONDITIONS	MIN	TYP	MAX	UNIT	NOTE
LED current	IL	Ta=25°C (20mA/serise)	--	160	--	mA	
LED voltage	VL	Ta=25°C (20mA/serise)	8.85	9.75	10.65	V	
Power consumption	WL	Ta=25°C (20mA/serise)	--	1.56	--	W	
LED Lifetime	-	Ta=25°C IF=20mA	20000			Hr	

Remarks :

*1)LED Circuit Diagram



*2) A : Anode(+) , K : Cathode(-)

*3) Suggestion: Using the constant current control to avoid the leakage light and brightness quality issue.

*4) Definition of Led lifetime : Luminance < Initial luminance 50%.

4. INTERFACE CONNECTION

4.1 CN1 (Input Signal)

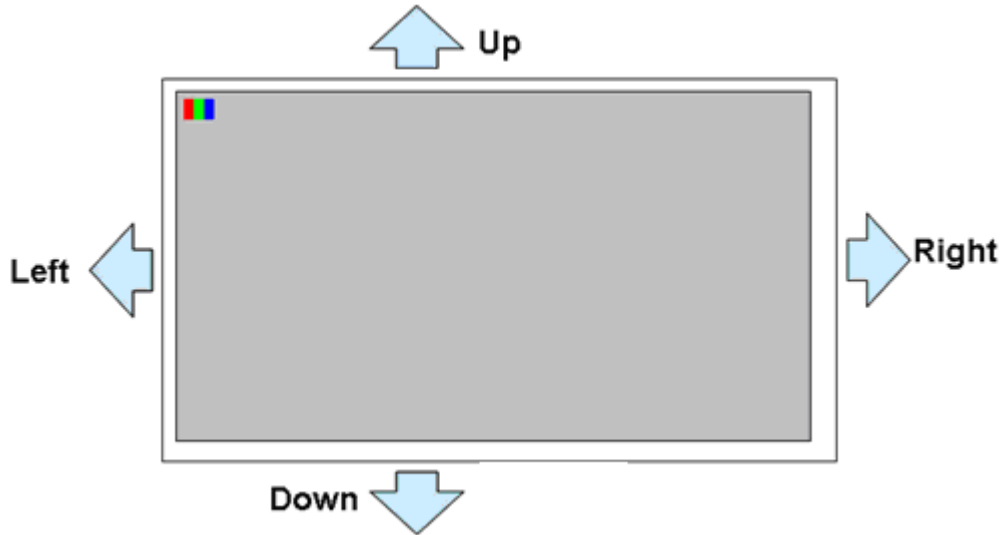
Pin No.	SYMBOL	FUNCTION	NOTE
1	VCOM	Common voltage	
2	DVDD	Digital power	
3	DVDD	Digital power	
4	NC	Not connect	
5	RESET	Global reset pin. Active low to enter reset state. Suggest to connecting with an RC reset circuit for stability. Normally pull high. (R=10KΩ · C=0.1μF)	
6	STBYB	Standby mode, normally pull high STBYB="1", normal operation STBYB="0", timing control, source driver will turn off, all output are high-Z	
7	GND	Ground	
8	RXIN0-	Negative LVDS differential data inputs	
9	RXIN0+	Positive LVDS differential data inputs	
10	GND	Ground	
11	RXIN1-	Negative LVDS differential data inputs	
12	RXIN1+	Positive LVDS differential data inputs	
13	GND	Ground	
14	RXIN2-	Negative LVDS differential data inputs	
15	RXIN2+	Positive LVDS differential data inputs	
16	GND	Ground	
17	RXCLKIN-	Negative LVDS differential clock inputs	
18	RXCLKIN+	Positive LVDS differential clock inputs	
19	GND	Ground	
20	RXIN3-	Negative LVDS differential data inputs	
21	RXIN3+	Positive LVDS differential data inputs	
22	GND	Ground	
23	NC	Not connect	
24	NC	Not connect	
25	GND	Ground	
26	NC	Not connect	
27	NC	Not connect	
28	SELB	6bit/8bit mode select	*1)
29	AVDD	Power for Analog Circuit	
30	GND	Ground	
31	LED-	LED Cathode	
32	LED-	LED Cathode	
33	L/R	Horizontal inversion	*2)
34	U/D	Vertical inversion	*2)
35	VGL	Negative power for TFT	
36	NC	Not connect	
37	NC	Not connect	
38	VGH	Positive power for TFT	
39	LED+	LED Anode	
40	LED+	LED Anode	

Remarks :

- *1)if LVDS input data is 6bits,SELB must must be set to High
if LVDS input data is 8bit , SELB must be set to Low

*2)U/D and L/R control function

U/D	L/R	FUNCTION
0	1	Normal display
0	0	Inverse Left and Right
1	1	Inverse Up and Down
1	0	Inverse Left and Right Inverse Up and Down



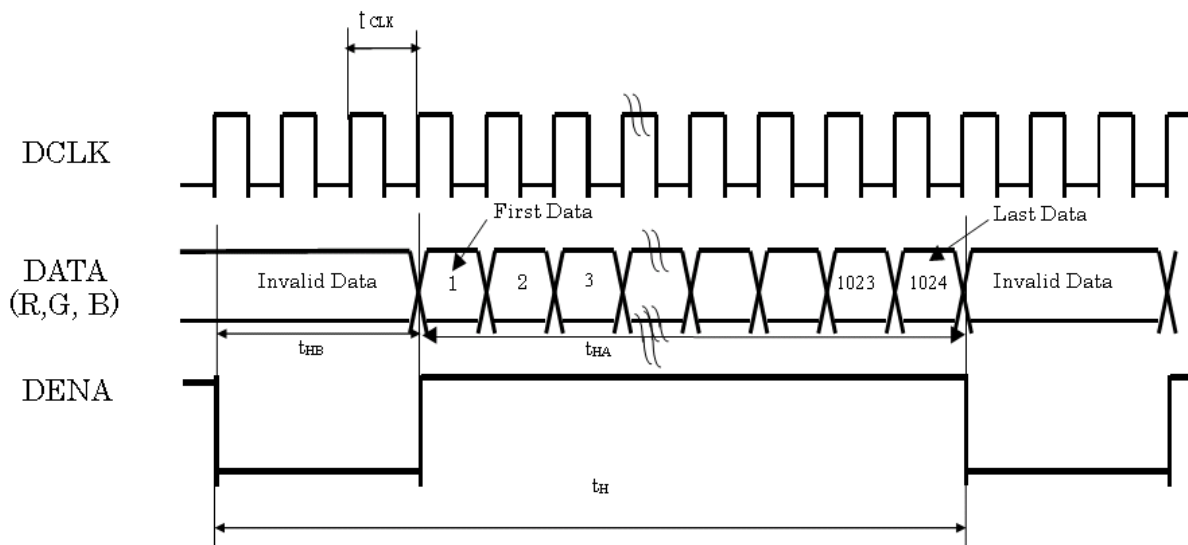
5. INPUT SIGNAL(DE ONLY MODE)

5.1 Timing Specification

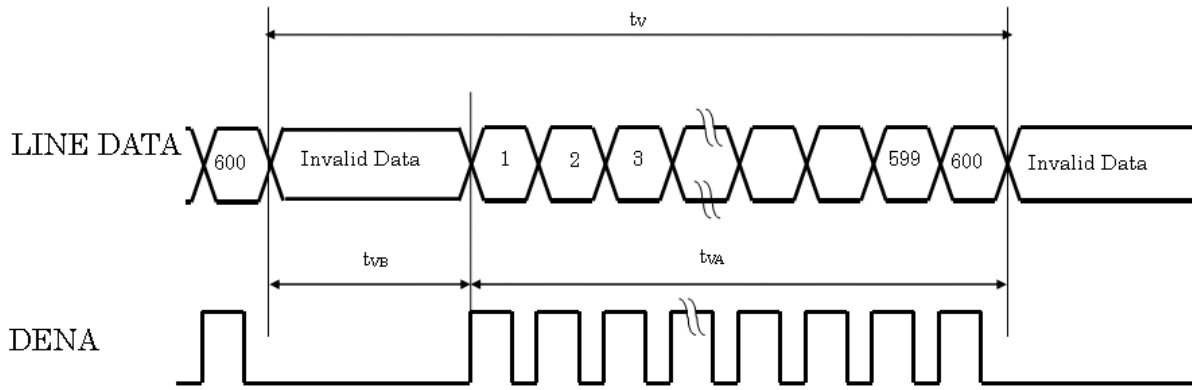
ITEM			SYMBOL	MIN	TYP	MAX	UNIT	
LVDS input signal sequence	CLK Frequency		tclk	45	51.2	57	MHz	
LCD input signal sequence (Input LVDS Transmitter)	DENA	Horizontal	Horizontal total Time	t _H	1324	1344	1364	tCLK
			Horizontal effective Time	t _{HA}	1024			tCLK
			Horizontal Blank Time	t _{HB}	300	320	340	tCLK
	Vertical	Vertical total Time	t _V	625	635	645	t _H	
		Vertical effective Time	t _{VA}	600			t _H	
		Vertical Blank Time	t _{VB}	25	35	45	t _H	

5.2 Timing sequence(Timing chart)

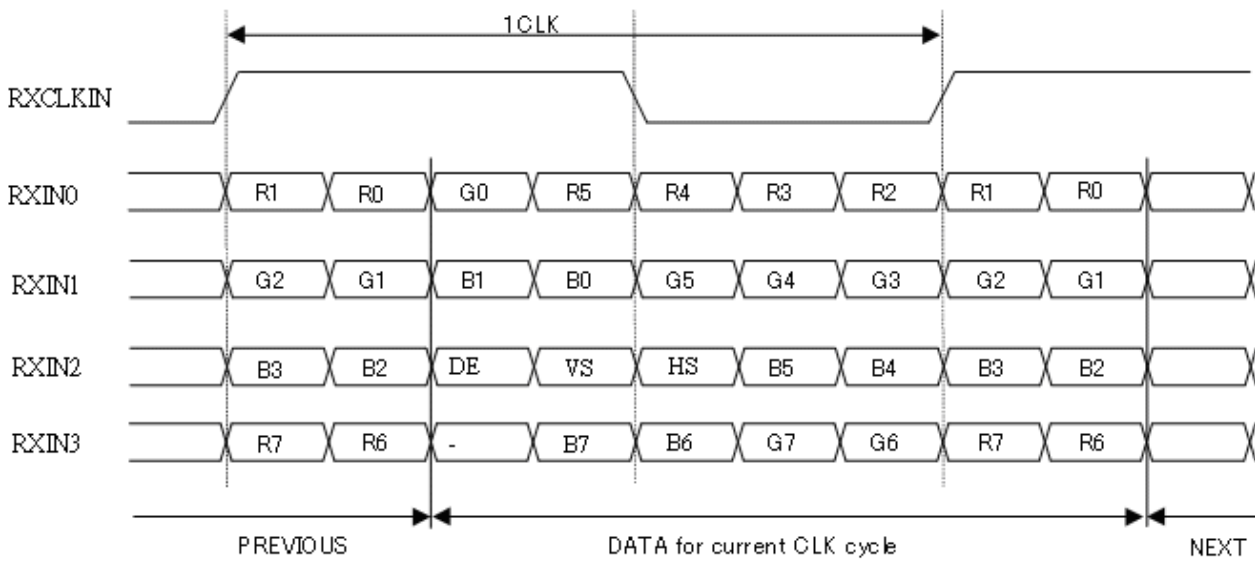
5.2.1 Horizontal Timing Sequence



5.2.2 Vertical Timing Sequence



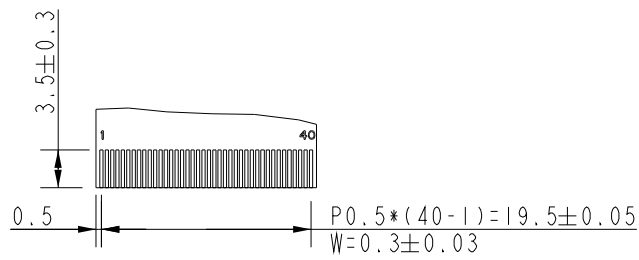
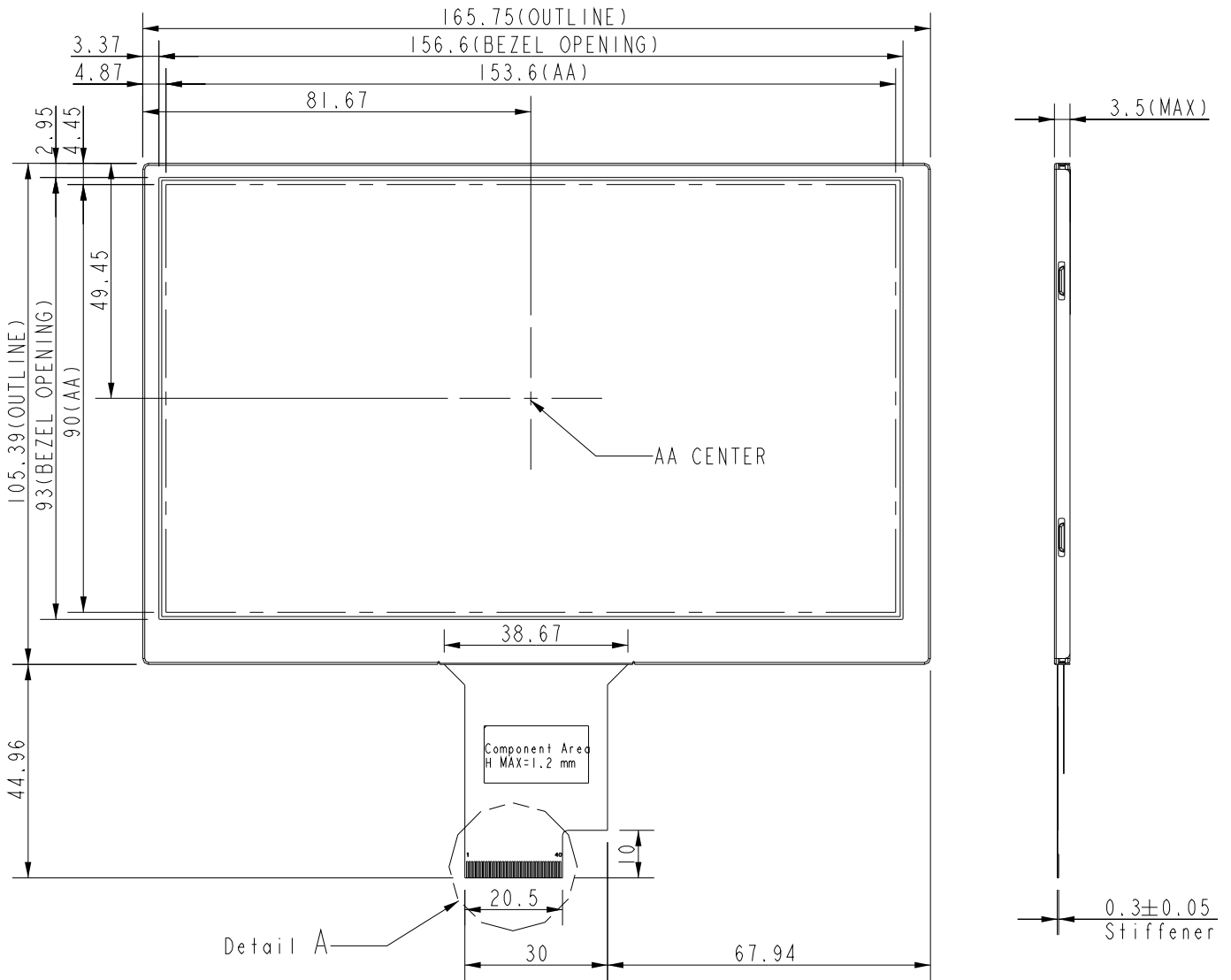
5.2.3 LVDS Input Data mapping



6. MECHANICAL DIMENSION

6.1 Front Side

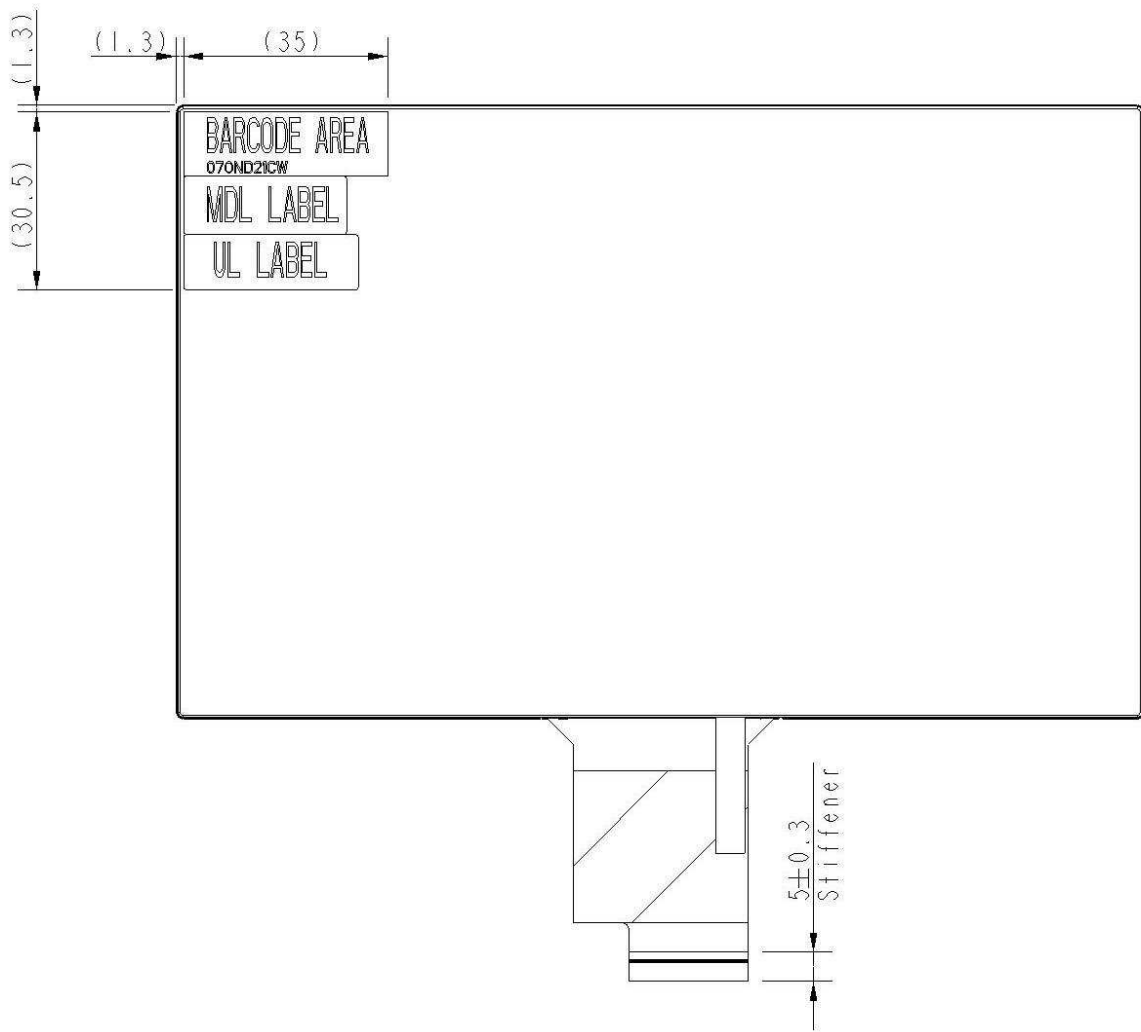
[Unit : mm]



Detail A
Scale 6:5

6.2 Rear Side

[Unit : mm]



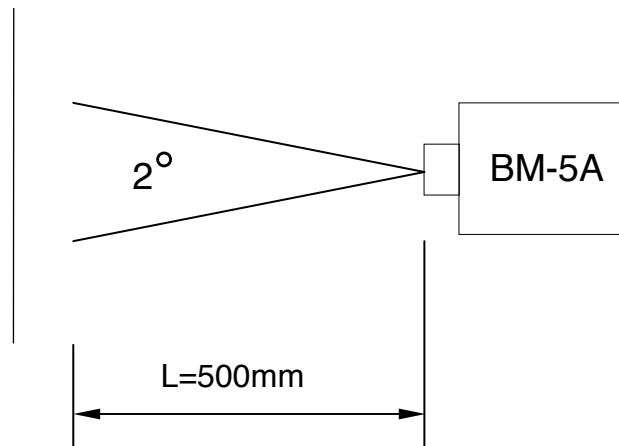
Remark : General tolerance ±0.3mm

7. OPTICAL CHARACTERISTICS

Ta = 25°C, VCC=3.3V

ITEM	SYMBOL	CONDITIONS	MIN	TYP	MAX	UNIT	NOTE
Constrast Ratio	CR	Point-5	500	700		--	1, 2, 3
Luminance(CEN)	Lw	Point-5	280	350		cd/m ²	1, 3
Luminance Uniformity	ΔL		70	80		%	1, 3
Response Time (White - Black)	Tr +Tf	Point-5	-	25	40	ms	1, 3, 5
NTSC	-	Point-5	45	50	-	%	1, 3
Viewing Angle	Left	CR ≥ 10 Point-5	70	80	--	°	1, 3
	Right		70	80	--	°	1, 3
	Upper		60	70	--	°	1, 2, 4
	Lower		50	60	--	°	1, 2, 4
Color Coordinate	White	Wx Wy	0.273 0.289	0.313 0.329	0.353 0.369	--	1, 3
	Red	Rx Ry	0.561 0.295	0.601 0.335	0.641 0.375		
	Green	Gx Gy	0.300 0.554	0.340 0.594	0.380 0.634		
	Blue	Bx By	0.125 0.077	0.165 0.117	0.205 0.157		

Note1: Measure condition : 25°C±2°C , 60±10%RH , under10 Lux in the dark room.BM-5A (TOPCON) , viewing angle2° , IL=160 mA (Backlight current) , measurement after lighting on 10 mins.



Note2: Definition of contrast ratio :

Contrast Ratio (CR)= (White) Luminance of ON ÷ (Black) Luminance of OFF

Note3: Definition of luminance : Measure white luminance on the point 5 as figure.6-1

Definition of Luminance Uniformity: Measure white luminance on the point1~9 as figure.6-1

$$\Delta L = [L(\text{MIN})/L(\text{MAX})] \times 100$$

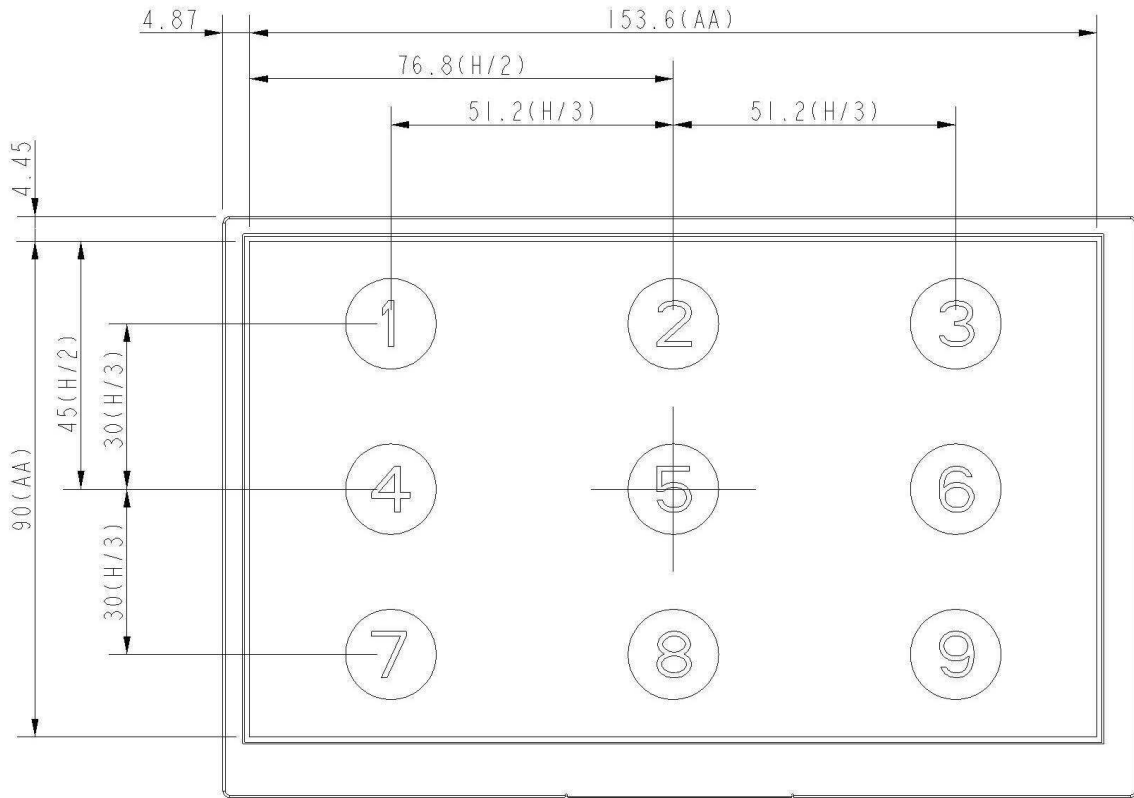


Fig.7-1 Measuring point

Note 4: Definition of Viewing Angle(θ, ψ), refer to Fig.7-2 as below :

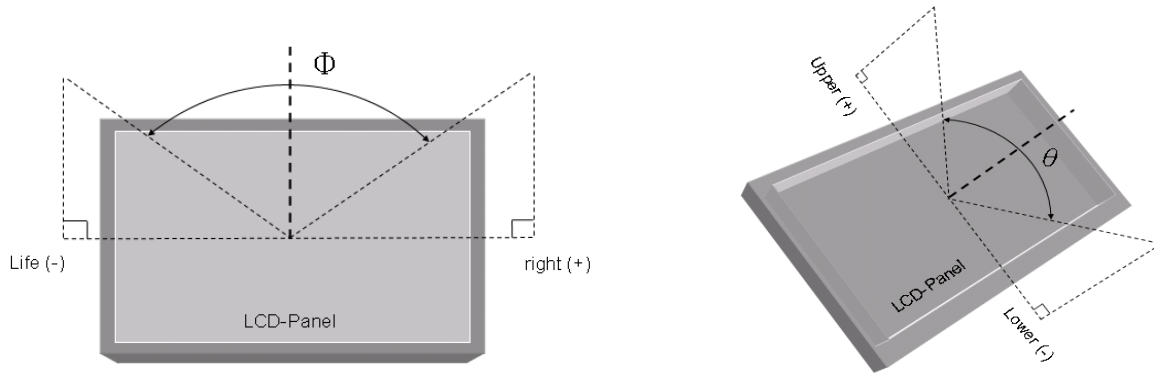


Fig.7-2 Definition of Viewing Angle

Note5: Definition of Response Time.(White-Black)

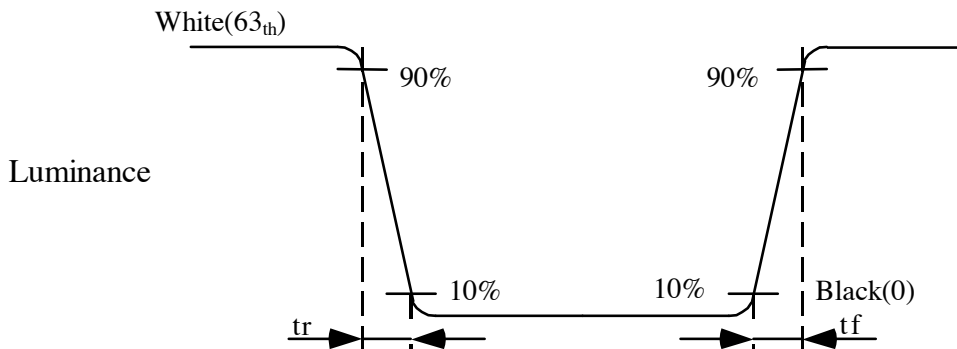


Fig.7-3 Definition of Response Time(White-Black)

8. RELIABILITY TEST

8.1 Temperature and Humidity

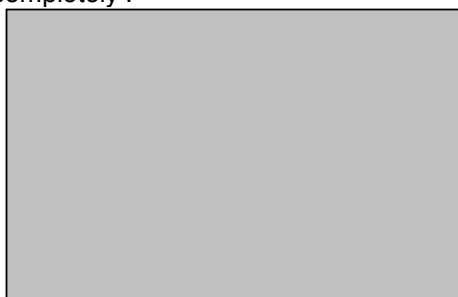
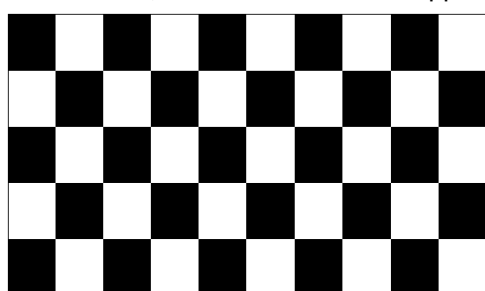
TEST ITEMS	CONDITIONS	NOTE
High Temperature Operation	60°C ;240Hrs	
High Temperature High Humidity Operation	40°C ; 90%RH ;240Hrs	No condensation
Low Temperature Operation	-20°C ; 240Hrs	Backlight unit always turn on
High Temperature Storage	70°C ;240Hrs	
Low Temperature Storage	-30°C ; 240Hrs	
Thermal Shock (No operation)	-30°C(0.5Hr) ~ 70°C(0.5Hr) ; 100 Cycles	
Image Sticking	RT(25° C) , 4 Hrs	
MTBF	20000Hrs	

Note :

Condition of Image Sticking test : 25 °C ± 2 °C

Operation with test pattern sustained for 4 hrs, then change to gray pattern immediately.

After 5 mins, the mura must be disappeared completely .



8.2 Shock and Vibration

TEST ITEMS	CONDITIONS
Shock (Non-operation)	<ul style="list-style-type: none"> ● Shock level: 980m/s²(equal to 100G). ● Waveform: half sinusoidal wave,6ms. ● Number of shocks: one shock input in each direction of three mutually perpendicular axes for a total of three shock inputs.
Vibration (Non-operation)	<ul style="list-style-type: none"> ● Frequency range:8~33.3Hz ● Stoke : 1.3 mm ● Vibration: sinusoidal wave, perpendicular axis(both x, y,z axis: 2Hrs). ● Sweep: 2.9G,33.3 Hz -400 Hz ● Cycle: 15 min

8.3 Electrostatic Discharge

TEST ITEM	CONDITIONS	Note
ESD	150pF , 330Ω , ±8kV&±15kV air& contact test	1
	200pF , 0Ω , ±200V contact test	2

Note: Measure

1: LCD glass and metal bezel

2: IF connector pins

8.4 Judgment Standard

The Judgment of the above test should be made as follow:

Pass:Normal display image with no obvious non-uniformity and no line defect.Partial transformation of the module parts should be ignored. Fail:No display image,obvious non-uniform

9. WARRANTY

9.1 The period is within 12 months since the date of shipping out under normal using and storage conditions.

9.2 The warranty will be avoided in case of defect induced by customer.