
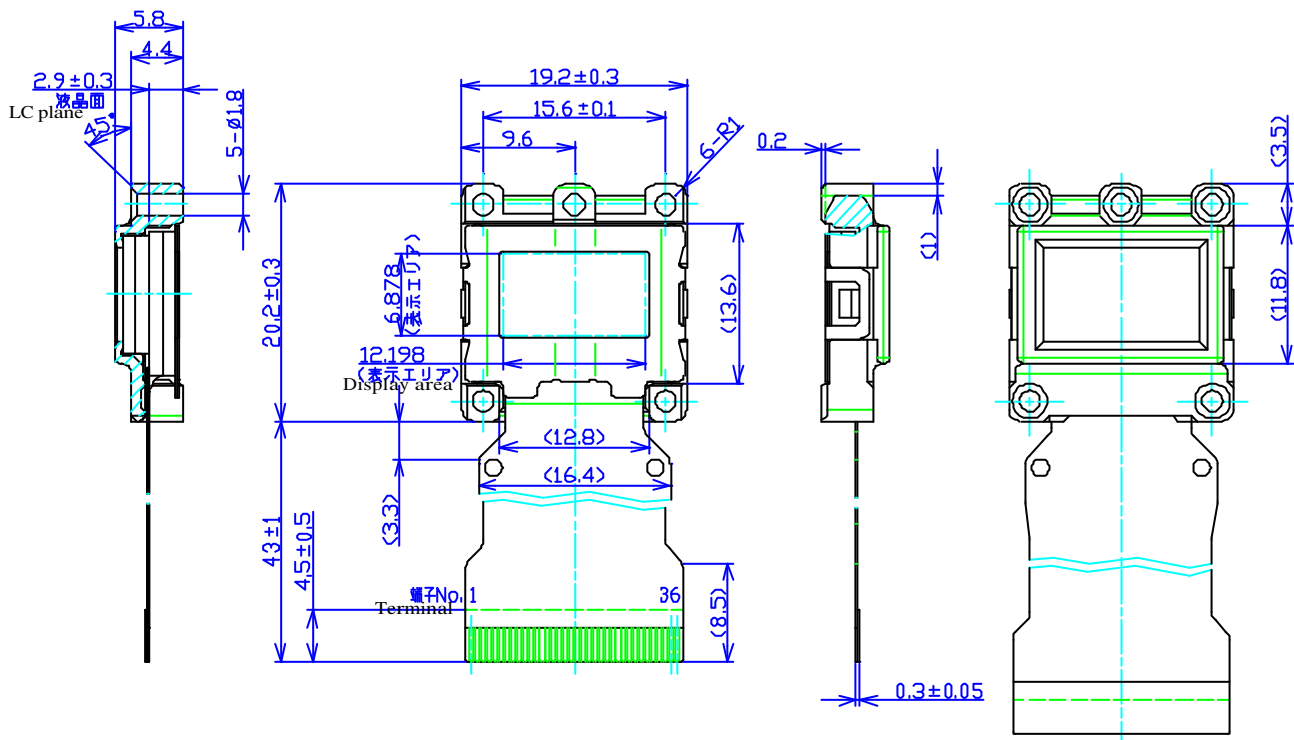


# L3D05H-6x LCD module

## ● Basic specifications

Photo		
Technology		D5
Screen size	Diagonal	1.40cm (0.55")
	H x V (mm)	12.198 x 6.878
Pixel number	H x V	1280 x 720 (720p)
Pixel pitch	H x V (μm)	9.5 x 9.5
Outside Dimension	H x V x D (mm)	19.2 x 20.2 x 5.8
Aspect Ratio		16:9
Display Colors		Monochrome
Micro Lens Array		With Micro Lens Array
Liquid Crystal		TN mode

## ● Dimensional Outline Drawing



No part of this material may be reproduced or duplicated in any form or any means without the written permission of EPSON. EPSON reserves the right to make changes to this material without notice.