
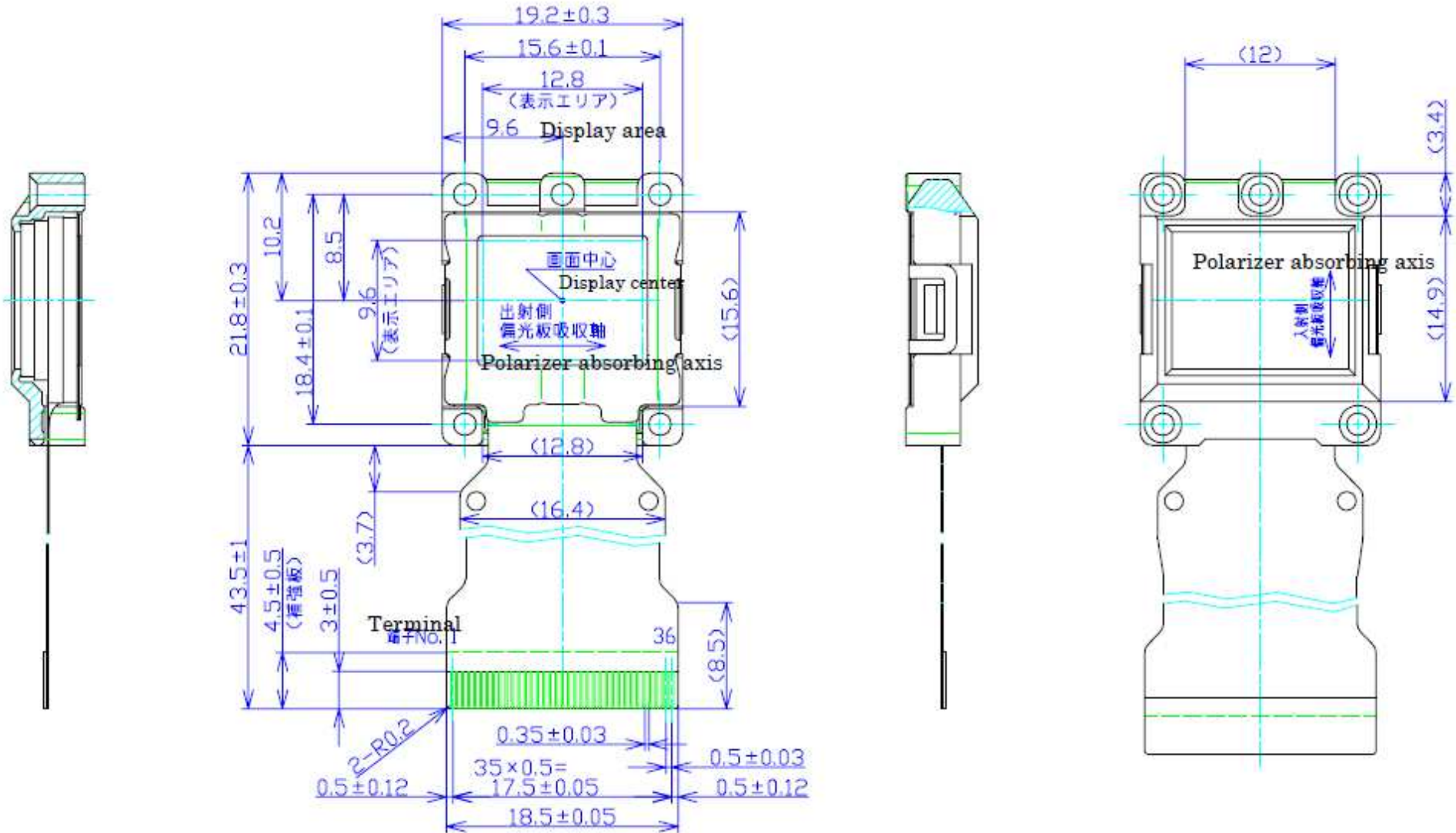


L3P06X-8x LCD module

■ Basic specifications

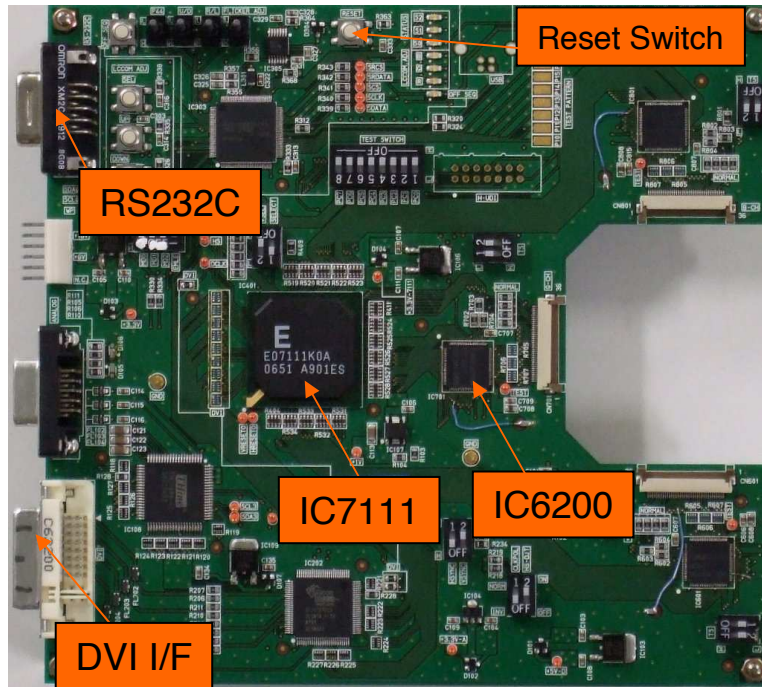
Photo		
Technology		D7
Screen size	Diagonal	1.6cm(0.63")
	H x V (mm)	12.80 x 9.60
Pixel number	H x V	1024 x 768 (XGA)
Pixel pitch	H x V (μ m)	12.5 x 12.5
Outside Dimension	H x V x D (mm)	19.2 x 21.8 x 5.8
Aspect Ratio		4:3
Display Colors		Monochrome
Micro Lens Array		With/Without Micro Lens Array
Liquid Crystal		TN mode

■ Dimensional Outline Drawing

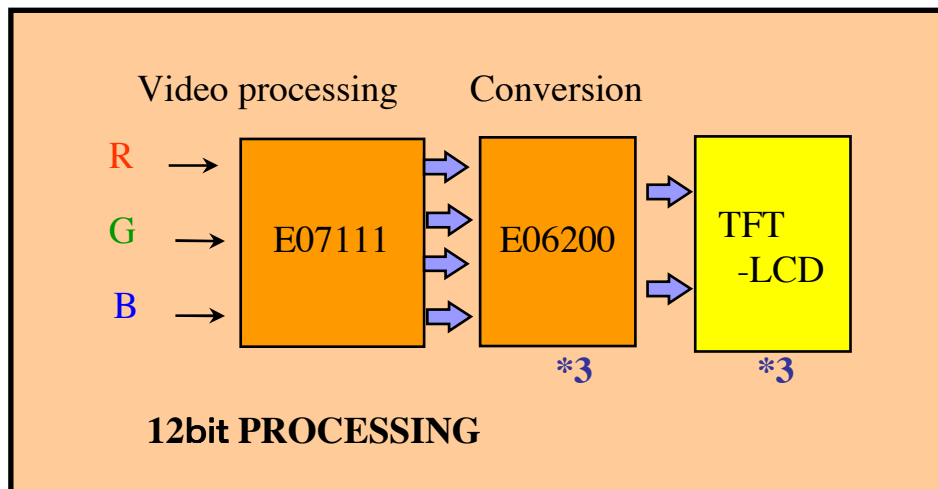


● E73A

• external view (dimension: W170mm x H160mm)



• IC Block Diagram



1) Evaluation board is accompanied by the following documents.

"instruction book", "config file (a sheet of FD)"
2) LCD Panel is not attached. Please purchase it separately.

3) Extra preparation by customer

- DC stabilized power supply
- Video signal source (Analog RGB/DVI)
- RS232C cable (for configuration)
- Optical source for evaluation, polarizer etc.

Usage notice

- Information in these documents is subject to be changed without notice.
- None of the documents contained herein may be copied or reprinted, whether in full or in part, without prior notice.
- Mentioned contents of the document were described as of August 2012.

<Contact>

©SEIKO EPSON CORPORATION 2012
Visual Device Design & Engineering Department
Visual Products Operations Division
1010 Fujimi, Fujimi-machi, Suwa-gun, Nagano-ken
399-0295 JAPAN

TEL 0266-62-6528

<http://www.epson.jp/device/https>