



Document Title	HSD070I651-A**-0299 Final Specification	Page No.	1/23
Document No.	DC140-00	Revision	1.0

TO :

Date : Jan,12 2006

# HannStar Product Specification

(Final)

## 7" Color TFT-LCD Module

Model : HSD070I651

**-A\*\*-0299**

- Note:1.Please contact HannStar Display Corp. before designing your product based on this module specification.
- 2.The information contained herein is presented merely to indicate the characteristics and performance of our products. No responsibility is assumed by HannStar for any intellectual property claims or other problems that may result from application based on the module described herein.
  - 3.The mark " \*\* " of Model means sub-model code.



Document Title	HSD070I651-A**-0299 Final Specification	Page No.	2/23
Document No.	DC140-00	Revision	1.0

### Record of Revisions

Rev.	Date	Sub-Model	Description of change
1.0	Oct. 13, 2005	--	HSD070I651-A**-0299 Final specification was first issued.
1.1	Dec. 19, 2005	--	1. Cancel P.18 outline dimension end seal size.
1.2	Jan. 12, 2006	--	1. Modify P.19 lot mark.
1.3	Aug. 02, 2006	--	1. Change P.18 outline dimension 2. Change P.19 location of lot mark
1.4	Aug. 31, 2006	---	1. Increase P7 Color gamut & Color chromaticity Spec.



Document Title	HSD070I651-A**-0299 Final Specification	Page No.	3/23
Document No.	DC140-00	Revision	1.0

## Contents

1.0	General description .....	p.4
2.0	Absolute maximum ratings .....	p.6
3.0	Optical characteristics .....	p.7
4.0	Block diagram .....	p.10
5.0	Interface pin connection .....	p.11
6.0	Electrical characteristics .....	p.12
7.0	Reliability test items.....	p.17
8.0	Outline dimension .....	p.18
9.0	Lot mark .....	p.19
10.0	Package specification .....	p.10
11.0	General precaution .....	p.21



Document Title	HSD070I651-A**-0299 Final Specification	Page No.	4/23
Document No.	DC140-00	Revision	1.0

## 1.0 GENERAL DESCRIPTION

### 1.1 Introduction

HannStar Display model HSD070I651-A\*\*-0299 is a color active matrix thin film transistor (TFT) liquid crystal display (LCD) that uses amorphous silicon TFT as a switching device. This model is composed of a TFT LCD panel and a driving circuit. This TFT LCD has a 7.0 (16:9) inch diagonally measured active display area with 1440 x 234 dot (480 horizontal by 234 vertical pixel) resolution.

### 1.2 Features

- 7 (16:9 diagonal) inch configuration
- Compatible with NTSC & PAL system
- Image Reversion: UP/DOWN and LEFT/RIGHT

### 1.3 Applications

- Portable TV
- Portable DVD
- Multimedia applications and Others AV system

### 1.4 General information

Item		Specification	Unit
Outline Dimension		162.6 x 96.6 x 1.69 (Typ.)	mm
Display area		154.08(H) x 86.58(V)	mm
Number of Pixel		480 RGB(H) x234(V)	pixels
Pixel pitch		0.321(H) x 0.370(V)	mm
Pixel arrangement		RGB Vertical stripe	
Display mode		Normally white	
Surface treatment		Antiglare, Hard-Coating(3H) with WV film	
Weight		55.4 (Typ.)	g
Power Consumption	Logic System	36.4(Typ.)	mW



Document Title	HSD070I651-A**-0299 Final Specification	Page No.	5/23
Document No.	DC140-00	Revision	1.0

### 1.5 Mechanical Information

	Item	Min.	Typ.	Max.	Unit
Module Size	Horizontal(H)	162.3	162.6	162.9	mm
	Vertical(V)	96.3	96.6	96.9	mm
	Depth(D)	—	1.69	1.99	mm
Weight (Without inverter)		—	55.4	58.4	g

Document Title	HSD070I651-A**-0299 Final Specification	Page No.	6/23
Document No.	DC140-00	Revision	1.0

## 2.0 ABSOLUTE MAXIMUM RATINGS

### 2.1 Electrical Absolute Rating

#### 2.1.1 TFT LCD Module

Item	Symbol	Min.	Max.	Unit	Note
Power supply voltage	$DV_{DD}$	-0.3	6	V	GND=0
	$V_{GH}$	-0.3	40	V	GND=0
	$V_{GL}$	-20	0.3	V	GND=0
	$V_{GH} - V_{GL}$	-0.3	40	V	
	$AV_{DD}$	-0.3	7.0	V	AGND=0
	$V_{COM}$	-1.6	5.2	V	
Analog Signal Input Level	$V_R, V_G, V_B$	-0.2	$AV_{DD}+0.2$	V	
Logic Signal Input Level	$V_I$	-0.3	$DV_{DD} +0.3$	V	

Note (1) Permanent damage may occur to the LCD module if beyond this specification. Functional operation should be restricted to the conditions described under normal operating conditions.

(2)  $T_a = 25 \pm 2^\circ\text{C}$

### 2.2 Environment Absolute Rating

Item	Symbol	Min.	Max.	Unit	Note
Operating Temperature	$T_{opa}$	-10	60	$^\circ\text{C}$	
Storage Temperature	$T_{stg}$	-20	70	$^\circ\text{C}$	

Document Title	HSD070I651-A**-0299 Final Specification	Page No.	7/23
Document No.	DC140-00	Revision	1.0

### 3.0 OPTICAL CHARACTERISTICS

#### 3.1 Optical specification

Item	Symbol	Condition	Min.	Typ.	Max.	Unit	Note
Transmittance (with POL)	T(%)	—	—	9.00	—	—	
Contrast	CR	$\Theta=0$ Normal viewing angle	400	500	—		(1)(2)
Response time	Rising	$T_R$	—	5	7	msec	(1)(3)
	Falling	$T_F$	—	20	28		
Color gamut	S(%)			45 %			(C-light)
Color chromaticity (CIE1931)	White	$W_x$		0.292	0.312	0.332	(1)(4) CF glass (C-light)
		$W_y$		0.324	0.344	0.364	
	Red	$R_x$		0.583	0.603	0.623	
		$R_y$		0.325	0.345	0.365	
	Green	$G_x$		0.298	0.318	0.338	
		$G_y$		0.515	0.535	0.555	
Blue	$B_x$		0.119	0.139	0.159		
	$B_y$		0.141	0.161	0.181		
Viewing angle	Hor.	$\Theta_L$	CR>10	50	60	—	
		$\Theta_R$		50	60	—	
	Ver.	$\Theta_U$		30	40	—	
		$\Theta_D$		50	60	—	

#### 3.2 Measuring Condition

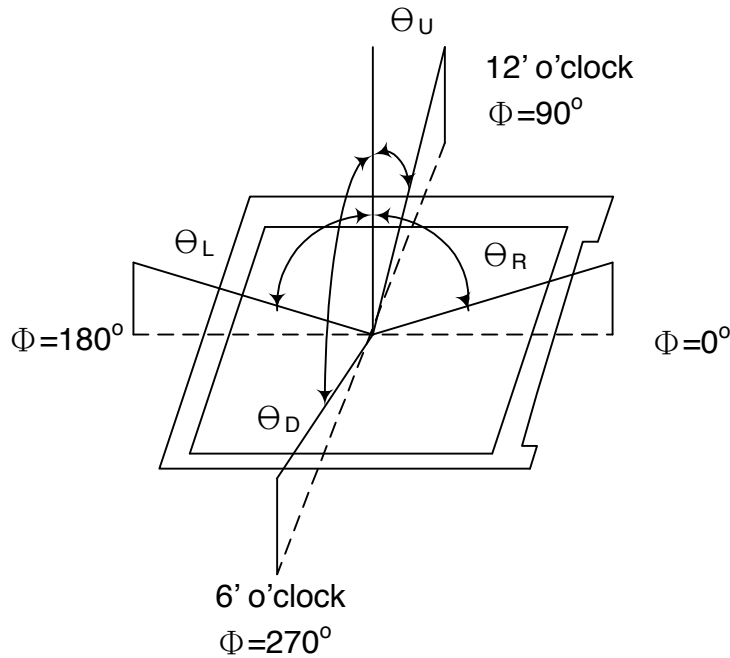
- Measuring surrounding : dark room
- Ambient temperature :  $25\pm 2^\circ\text{C}$
- 30min. warm-up time.

Document Title	HSD070I651-A**-0299 Final Specification	Page No.	8/23
Document No.	DC140-00	Revision	1.0

**3.3 Measuring Equipment**

- Otsuka Electrics Corp., which utilized LCD-7000 for Chromaticity and BM-5 for other optical characteristics.
- Measuring spot size : 10 ~ 12 mm

**Note (1)** Definition of Viewing Angle :



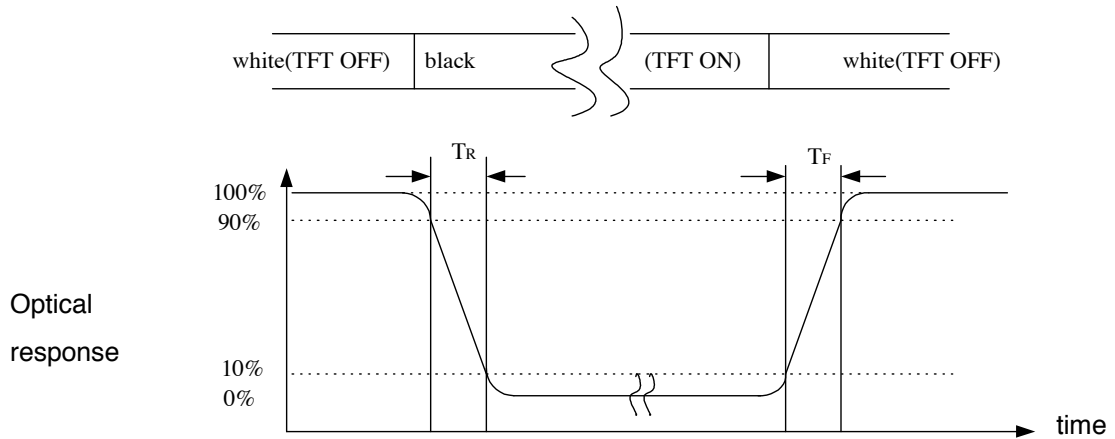
**Note (2)** Definition of Contrast Ratio(CR) :  
measured at the center point of panel

$$CR = \frac{\text{Luminance with all pixels white}}{\text{Luminance with all pixels black}}$$

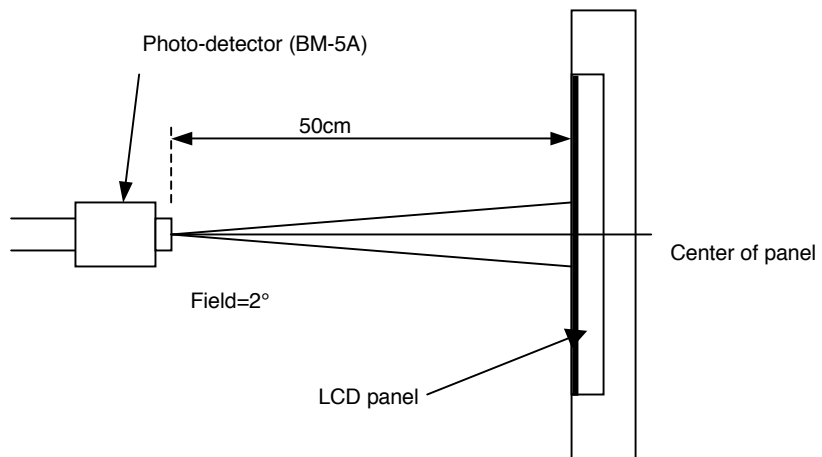


Document Title	HSD070I651-A**-0299 Final Specification	Page No.	9/23
Document No.	DC140-00	Revision	1.0

**Note (3)** Definition of Response Time : Sum of  $T_R$  and  $T_F$



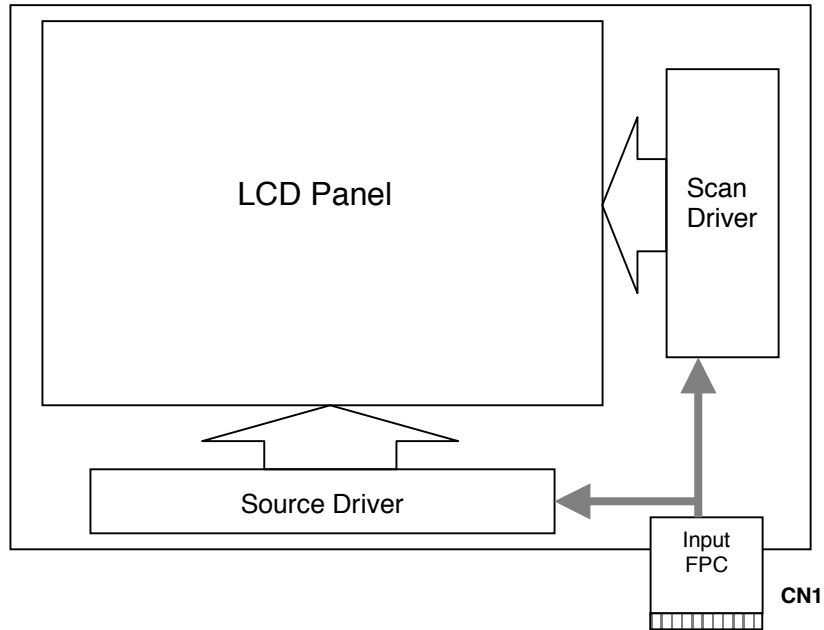
**Note (4)** Definition of optical measurement setup



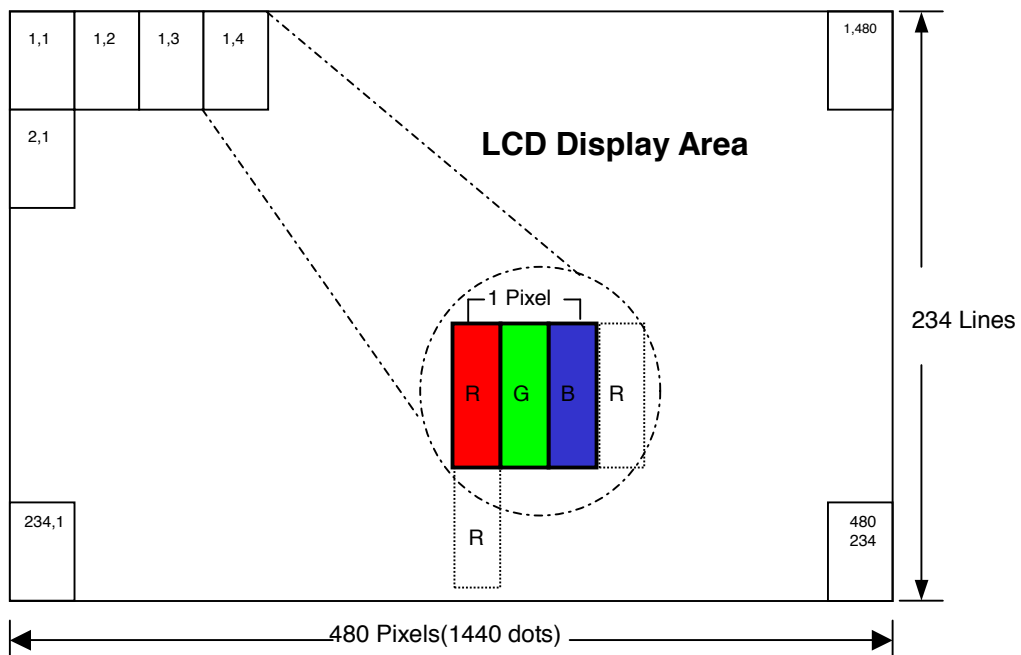
Document Title	HSD070I651-A**-0299 Final Specification	Page No.	10/23
Document No.	DC140-00	Revision	1.0

## 4.0 BLOCK DIAGRAM

### 4.1 TFT LCD Module



### 4.2 Pixel Format



Document Title	HSD070I651-A**-0299 Final Specification	Page No.	11/23
Document No.	DC140-00	Revision	1.0

## 5.0 INTERFACE PIN CONNECTION

### 5.1 TFT LCD Module

CN1 (Input signal): FPC Down Connector, 26 pins, pitch: 0.5mm

Terminal no.	Symbol	I/O	Function	Note
1	DGND	-	Ground for logic circuit	
2	DV <sub>DD</sub>	I	Supply voltage of logic control circuit for scan (Gate) driver	
3	V <sub>GL</sub>	I	Negative power for scan (Gate) driver	
4	V <sub>GH</sub>	I	Positive power for scan (Gate) driver	
5	STVD	I/O	Vertical start pulse	(1)
6	STVU	I/O	Vertical start pulse	(1)
7	CKV	I	Shift clock input for scan (Gate) driver	
8	U/D	I	UP/DOWN scan control input	(1)
9	OEV	I	Output enable input for scan(Gate) driver	
10	V <sub>COM</sub>	I	Common electrode driving signal	
11	V <sub>COM</sub>	I	Common electrode driving signal	
12	L/R	I	LEFT/RIGHT scan control input	(1)
13	MOD	I	Sequential sampling and simultaneous sampling setting	(2)
14	OEH	I	Output enable input for data (Source) driver	
15	STHL	I/O	Start pulse for horizontal scan (Gate) line	(1)
16	STHR	I/O	Start pulse for horizontal scan (Gate) line	(1)
17	CPH3	I	Sampling and shifting clock pulse for data (Source) driver	(2)
18	CPH2	I	Sampling and shifting clock pulse for data (Source) driver	(2)
19	CPH1	I	Sampling and shifting clock pulse for data (Source) driver	
20	DV <sub>DD</sub>	I	Supply voltage of logic control circuit for data(Source) driver	
21	DGND	-	Ground for logic circuit	
22	V <sub>R</sub>	I	Alternated video signal input(Red)	
23	V <sub>G</sub>	I	Alternated video signal input(Green)	
24	V <sub>B</sub>	I	Alternated video signal input(blue)	
25	AV <sub>DD</sub>	I	Supply voltage for analog circuit	
26	AGND	-	Ground for analog circuit	

Note (1) Selection of scanning mode (please refer to the following table)

Setting of scan control input		IN/OUT state for start pulse				Scanning direction
U/D	L/R	STVD	STVU	STHR	STHL	
GND	DV <sub>DD</sub>	Output	Input	Output	Input	up to down, and from left to right.
DV <sub>DD</sub>	GND	Input	Output	Input	Output	down to up, and from right to left.
GND	GND	Output	Input	Input	Output	up to down, and from right to left.
DV <sub>DD</sub>	DV <sub>DD</sub>	Input	Output	Output	Input	down to up, and from left to right.

Note (2) MOD=H: Simultaneous sampling.(Please check CPH2 and CPH3 to GND when MOD=H)  
 MOD=L : Sequential sampling.

Document Title	HSD070I651-A**-0299 Final Specification	Page No.	12/23
Document No.	DC140-00	Revision	1.0

## 6.0 ELECTRICAL CHARACTERISTICS

### 6.1 TFT LCD Module

Item	Symbol	Min.	Typ.	Max.	Unit	Note
Supply Voltage	$DV_{DD}$	3	3.3	5.5	V	
	$V_{GH}$	14.3	15	15.7	V	
	$V_{GL}$	-10.5	-10	-9.5	V	
	$AV_{DD}$	4.5	5	5.5	V	
Video signal amplitude (VR, VG, VB)	$V_{iA}$	0.4	-	$AV_{DD}-0.4$	V	
	$V_{iAC}$	-	3	-	V	AC component,
	$V_{iDC}$	-	$AV_{DD}/2$	-	V	DC component
VCOM	$V_{CAC}$	-	5.6	-	VP-P	AC component
	$V_{CDC}$	1.6	1.8	2.0	V	DC component, (1)
Input signal voltage	$V_{iH}$	$0.8DV_{DD}$	-	$DV_{DD}$	V	(2)
	$V_{iL}$	0	-	$0.2 DV_{DD}$	V	(2)
Current of power supply	$I_{DD}$	-	127	-	$\mu A$	$DV_{DD}=3.3V$
	$I_{ADD}$	-	7.0	-	mA	$AV_{DD}=5V$
	$I_{GH}$	-	70	-	$\mu A$	$V_{GH}=15V$
	$I_{GL}$	-	65	-	$\mu A$	$V_{GL}=-10V$

Note (1): The brightness of LCD panel could be changed by adjusting the AC component of  $V_{COM}$ .

Note (2): STHL, STHR, OEH, L/R, CPH1~CPH3, STVD, STVU, OEV, CKV, U/D

Note (3): Be sure to apply the power voltage as the power sequence spec.

Note (4):  $DGND=AGND=0V$ ,

Document Title	HSD070I651-A**-0299 Final Specification	Page No.	13/23
Document No.	DC140-00	Revision	1.0

## 6.2 AC Characteristics

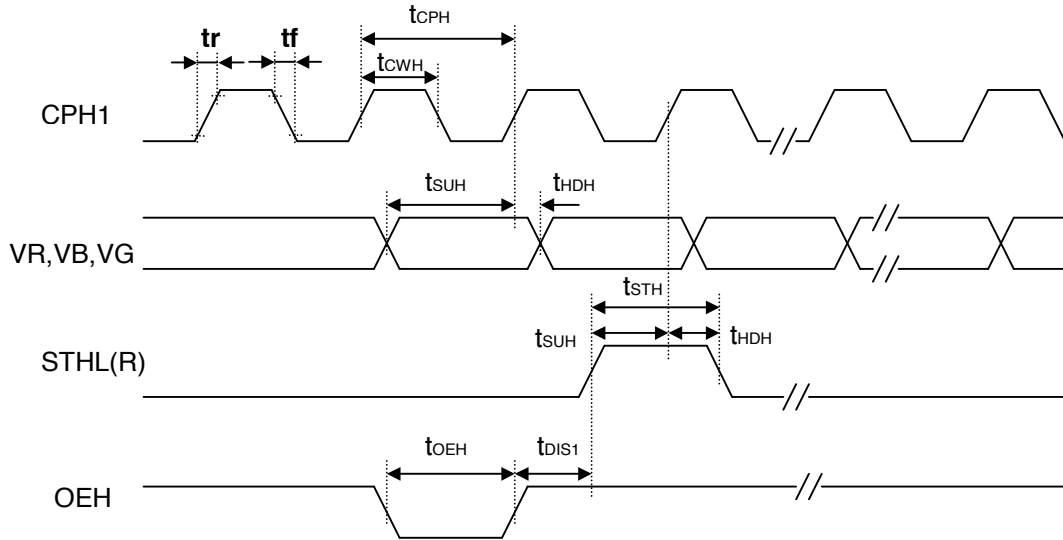
Item	Symbol	Min.	Typ.	Max.	Unit	Note
Rising time	$t_r$	-	-	10	ns	(1)
Falling time	$t_f$	-	-	10	ns	(1)
High and low level pulse duty	$t_{CPH}$	100	103	-	ns	CPH1~CPH3
CPH pulse duty	$t_{CWH}$	40	50	60		CPH1~CPH3
STH setup time	$t_{SUH}$	20	-	-	ns	STHR,STHL
STH hold time	$t_{HDH}$	10	-	-	ns	STHR,STHL
STH pulse width	$t_{STH}$	-	1	-	$t_{CPH}$	STHR,STHL
STH period	$t_H$	61.5	63.5	65.5	$\mu s$	STHR,STHL
OEH pulse width	$t_{OEH}$	-	1.23	-	$\mu s$	OEH
Sample and hold disable time	$t_{DIS1}$	-	8.19	-	$\mu s$	
OEV pulse width	$t_{OEV}$	-	4.77	-	$\mu s$	OEV
CKV pulse width	$t_{CKV}$	-	3.91	-	$\mu s$	CKV
Clean enable time	$t_{DIS2}$	-	3.90	-	$\mu s$	
Horizontal display timing range	$t_{DH}$	-	1440	-	$t_{CPH}/3$	
STV setup time	$t_{SUV}$	200	-	-	ns	STVD,STVU
STV hold time	$t_{HDV}$	300	-	-	ns	STVD,STVU
STV pulse width	$t_{STV}$	-	1	-	$t_H$	STVD,STVU
Horizontal line per field	$t_V$	256	262	268	$t_H$	(2)
Vertical display start	$t_{SV}$		3	-	$t_H$	
Vertical display timing range	$t_{DV}$		234	-	$t_H$	
VCOM Rising time	$t_{rCOM}$		-	5	$\mu s$	
VCOM Falling time	$t_{fCOM}$		-	5	$\mu s$	
VCOM delay time	$t_{dCOM}$		-	3	$\mu s$	
RGB delay time	$t_{DRGB}$		*	1	$\mu s$	

Note (1): For all of the logic signals.

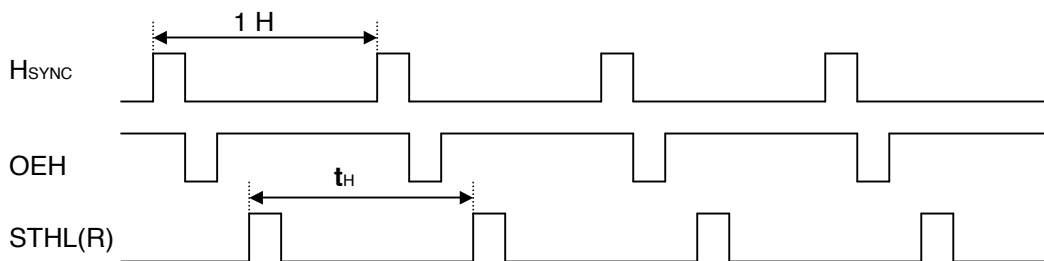
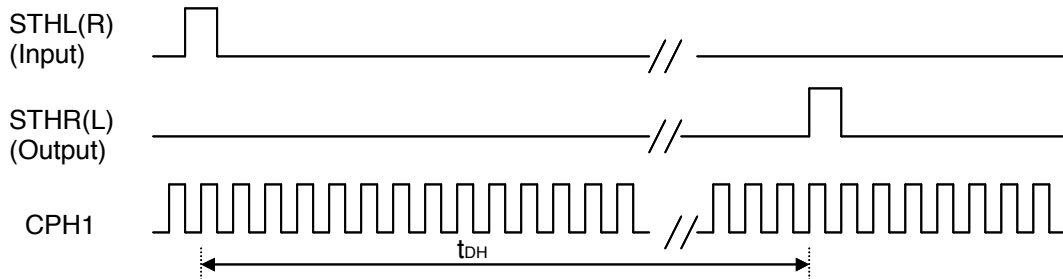
Note (2): Please don't use odd horizontal lines to drive LCD panel for both odd and even filed simultaneously.

Document Title	HSD070I651-A**-0299 Final Specification	Page No.	14/23
Document No.	DC140-00	Revision	1.0

### 6.3 Timing Diagram of Interface Signal

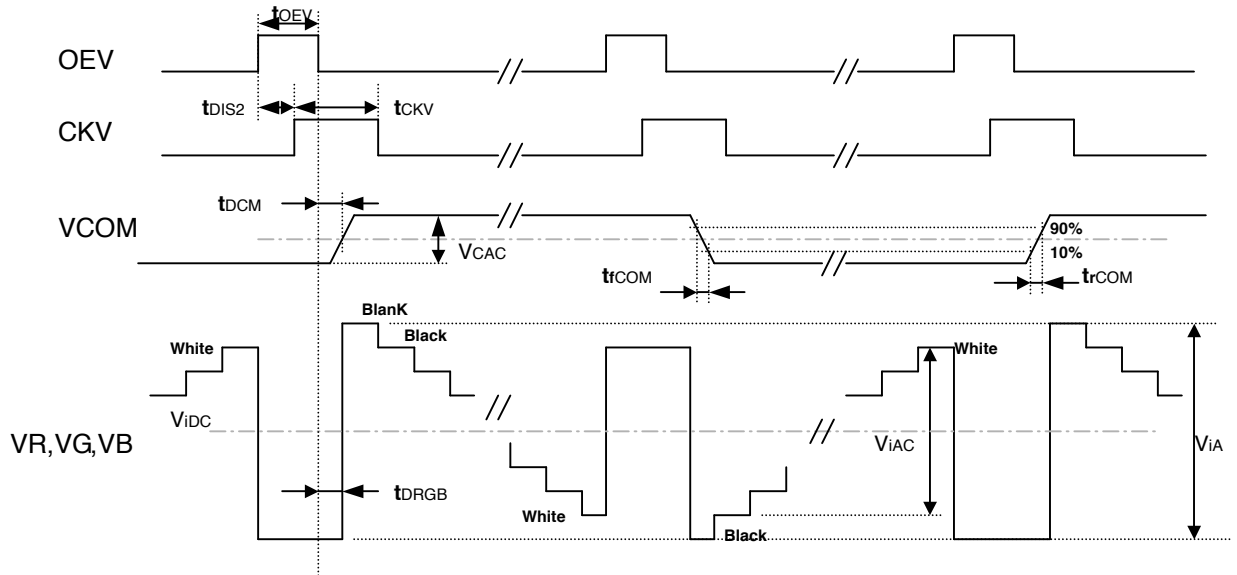


Sampling clock timing

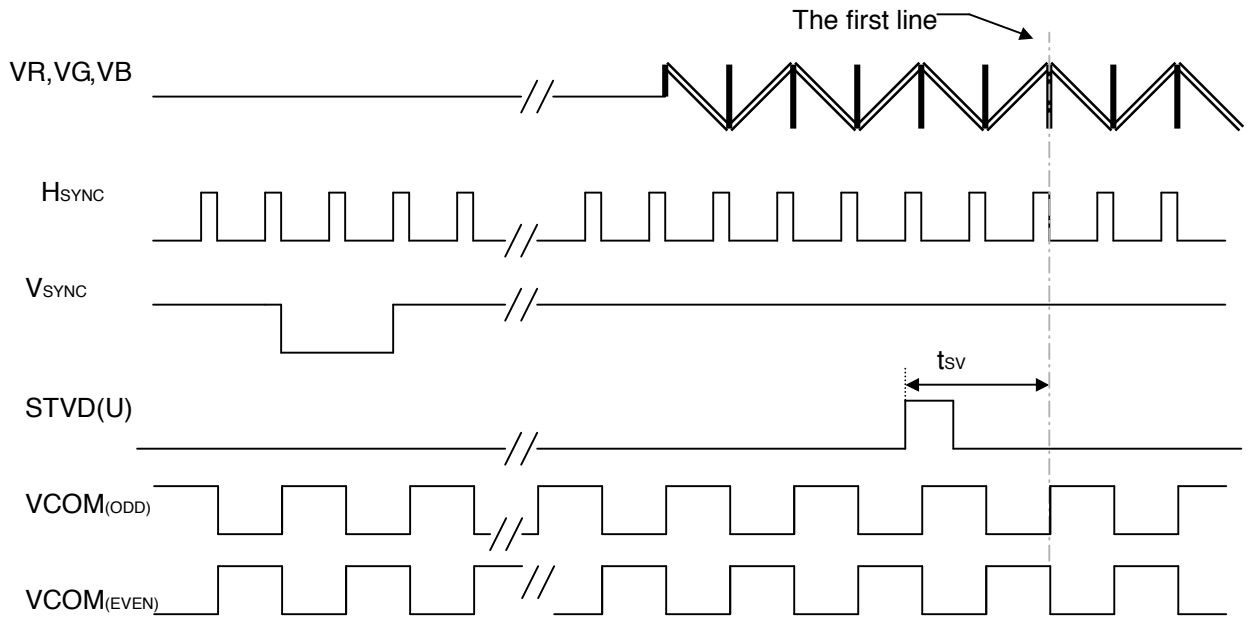


Horizontal display timing range

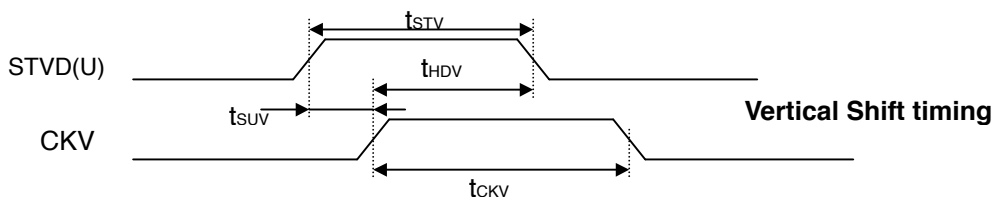
Document Title	HSD070I651-A**-0299 Final Specification	Page No.	15/23
Document No.	DC140-00	Revision	1.0



Detail Horizontal timing



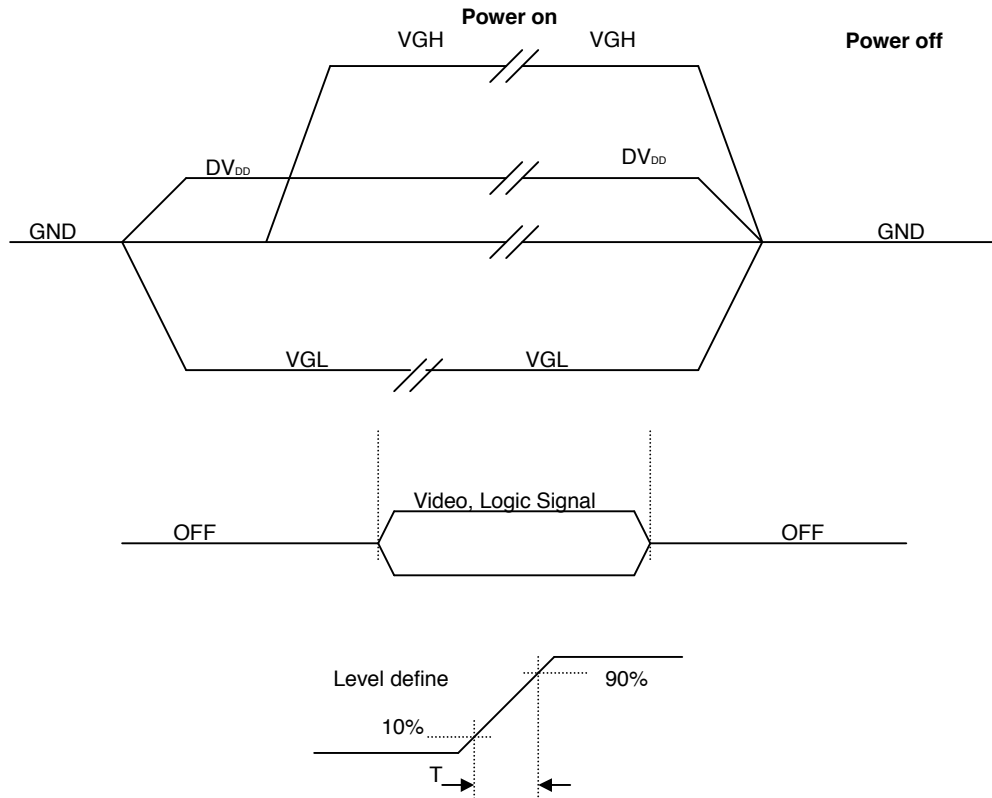
Vertical timing



Vertical Shift timing

Document Title	HSD070I651-A**-0299 Final Specification	Page No.	16/23
Document No.	DC140-00	Revision	1.0

### 6.4 Power Sequence



Power Sequence: DV<sub>DD</sub> -> VGL -> VGH

**Note** Apply the lamp voltage within the LCD operation range. When the back-light turns on before the LCD operation or the LCD turns off before the back-light turns off, the display may momentarily become white.



Document Title	HSD070I651-A**-0299 Final Specification	Page No.	17/23
Document No.	DC140-00	Revision	1.0

### 7.0 Reliability test items

No.	Item	Conditions	Remark
1	High Temperature Storage	Ta=+70°C, 240hrs	
2	Low Temperature Storage	Ta=-20°C, 240hrs	
3	High Temperature Operation	Ta=+60°C, 240hrs	
4	Low Temperature Operation	Ta=-10°C, 240hrs	
5	High Temperature and High Humidity (operation)	Ta=+60°C, 90%RH, 240hrs	
6	Thermal Cycling Test (non operation)	-20°C(30min) → +70°C(30min), 200cycles	
7	Electrostatic Discharge	±200V,200pF(0Ω) 1 time/each terminal	
8	Vibration	1.Random: 1.04Grms, 10~500Hz, X/Y/Z, 30min/each direction 2.Sweep sine: 1.5G, 5~500Hz, X/Y/Z, 30min/each direction	
9	Shock	100G,6ms, ±X, ±Y, ±Z 3 time for each direction	JIS C7021, A-10 (Condition A)
10	Vibration (with carton)	Random: 1.04Grms, 10~500Hz, X/Y/Z 45min/each direction Fixed: 5Hz, 1.5Grms, X/Y/Z 45min/each direction	
11	Drop (with carton)	Height: 60cm 1 corner, 3 edges, 6 surfaces	JIS Z0202

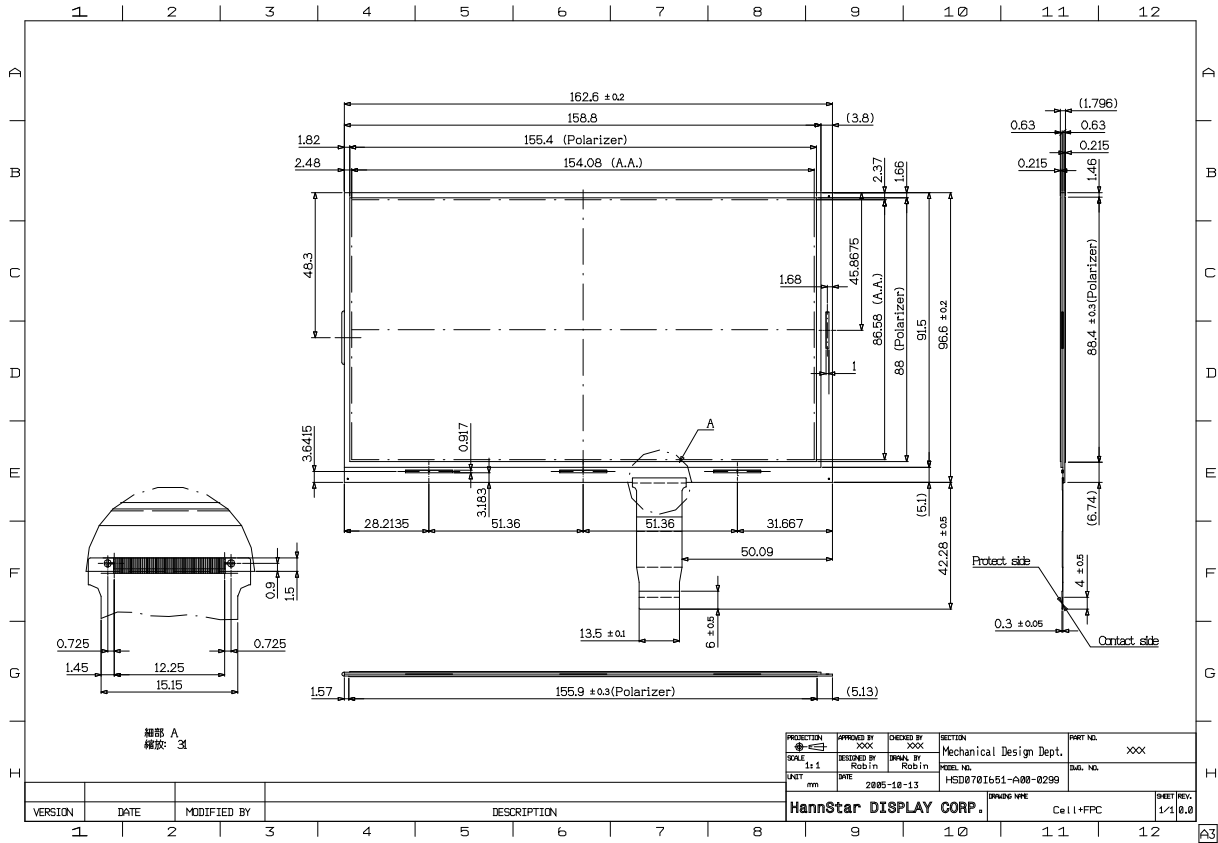
Note: There are no display function NG issue occurred, All the cosmetic specification is judged before the reliability stress.

Document Title	HSD0701651-A**-0299 Final Specification	Page No.	18/23
Document No.	DC140-00	Revision	1.0

### 8.0 OUTLINE DIMENSION

#### 8.1 Outline Dimension

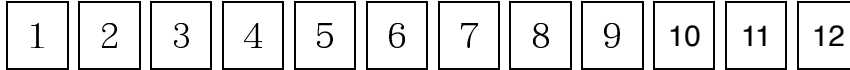
Unit : mm



Document Title	HSD070I651-A**-0299 Final Specification	Page No.	19/23
Document No.	DC140-00	Revision	1.0

## 8.0 LOT MARK

### 8.1 Lot Mark



code 1,2: HannStar internal flow control code.

code 3: production location.

code 4: production classification.

code 5: production year.

code 6: production month.

Code 7,8,9,10,11,12: serial number.

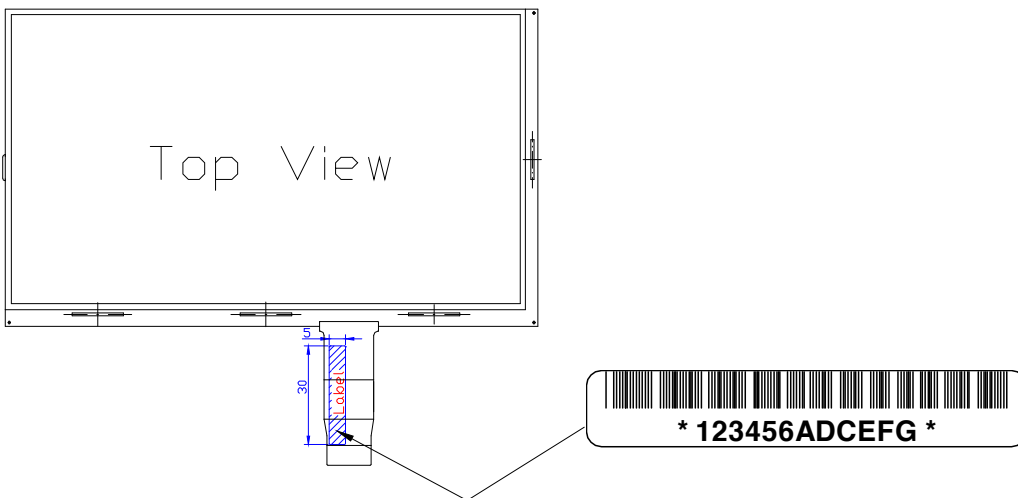
#### Note (1) Production Year

Year	1999	2000	2001	2002	2003	2004	2005	2006	2007	2008
Mark	9	0	1	2	3	4	5	6	7	8

#### Note (2) Production Month

Month	Jan.	Feb.	Mar.	Apr.	May.	Jun.	Jul.	Aug.	Sep.	Oct.	Nov.	Dec.
Mark	1	2	3	4	5	6	7	8	9	A	B	C

### 9.2 Location of Lot Mark



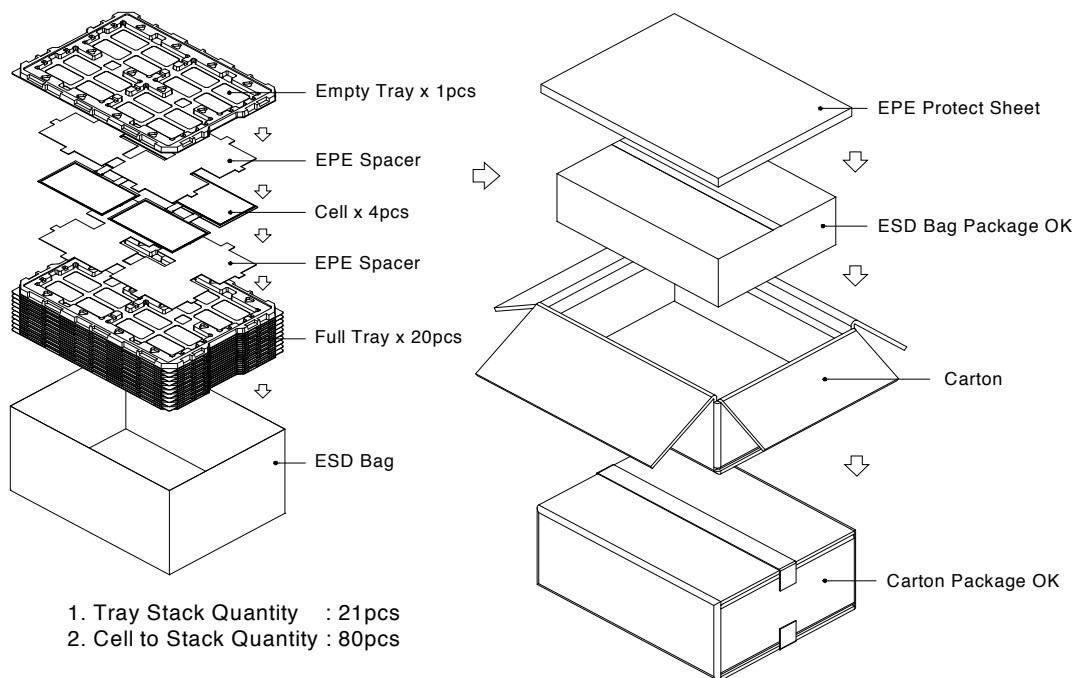
Document Title	HSD070I651-A**-0299 Final Specification	Page No.	20/23
Document No.	DC140-00	Revision	1.0

## 9.0 PACKAGE SPECIFICATION

### 9.1 packing form

- (1) Package quantity in one carton: 80 pieces.
- (2) Carton size: 464±3 mm×360±3 mm×370±3 mm.
- (3) For domestic transportation only.

### 9.2 packing assembly drawings



Document Title	HSD070I651-A**-0299 Final Specification	Page No.	21/23
Document No.	DC140-00	Revision	1.0

## 11.0 GENERAL PRECAUTION

### 11.1 Use Restriction

This product is not authorized for use in life supporting systems, aircraft navigation control systems, military systems and any other application where performance failure could be life-threatening or otherwise catastrophic.

### 11.2 ASSEMBLY PRECAUTION

11.2.1 Please use the mounting hole on the module side in installing and do not bending or wrenching LCD in assembling. And please do not drop, bend or twist LCD module in handling.

11.2.2 Please design display housing in accordance with the following guide lines.

11.2.2.1 Housing case must be destined carefully so as not to put stresses on LCD all sides and not to wrench module. The stresses may cause on-uniformity even if there is no non-uniformity statically.

11.2.2.2 Keep sufficient clearance between LCD module back surface and housing when the LCD module is mounted. The clearance in the design is recommended taking into account the tolerance of LCD module thickness and mounting structure height on the housing.

11.2.3 Please do not push or scratch LCD panel surface with any-thing hard. And do not soil LCD panel surface by touching with bare hands. ( Polarizer film, surface of LCD panel is easy to be flawed.)

11.2.4 Please do not press any parts on the rear side such as source IC, gate IC, and FPC during handling LCD module. If pressing rear part is unavoidable, handle the LCD module with care not to damage them.

11.2.5 Please wipe out LCD panel surface with absorbent cotton or soft cloth in case of it being soiled.

11.2.6 Please wipe out drops of adhesives like saliva and water on LCD panel surface immediately. They might damage to cause panel surface variation and color change.

11.2.7 Please do not take a LCD module to pieces and reconstruct it. Resolving and reconstructing modules may cause them not to work well.

### 11.3 Disassembling or Modification

Do not disassemble or modify the module. It may damage sensitive parts inside LCD module, and may cause scratches or dust on the display. HannStar does not warrant the module, if customers disassemble or modify the module.

Document Title	HSD070I651-A**-0299 Final Specification	Page No.	22/23
Document No.	DC140-00	Revision	1.0

#### 11.4 Breakage of LCD Panel

- 11.4.1 If LCD panel is broken and liquid crystal spills out, do not ingest or inhale liquid crystal, and do not contact liquid crystal with skin.
- 11.4.2 If liquid crystal contacts mouth or eyes, rinse out with water immediately.
- 11.4.3 If liquid crystal contacts skin or cloths, wash it off immediately with alcohol and rinse thoroughly with water.
- 11.4.4 Handle carefully with chips of glass that may cause injury, when the glass is broken.

#### 11.5 Absolute Maximum Ratings and Power Protection Circuit

- 11.5.1 Do not exceed the absolute maximum rating values, such as the supply voltage variation, input voltage variation, variation in parts' parameters, environmental temperature, etc., otherwise LCD module may be damaged.
- 11.5.2 Please do not leave LCD module in the environment of high humidity and high temperature for a long time.
- 11.5.3 It's recommended employing protection circuit for power supply.

#### 11.6 Operation

- 11.6.1 Do not touch, push or rub the polarizer with anything harder than HB pencil lead. Use fingerstalls of soft gloves in order to keep clean display quality, when persons handle the LCD module for incoming inspection or assembly.
- 11.6.2 When the surface is dusty, please wipe gently with absorbent cotton or other soft material.
- 11.6.3 Wipe off saliva or water drops as soon as possible. If saliva or water drops contact with polarizer for a long time, they may causes deformation or color fading.
- 11.6.4 When cleaning the adhesives, please use absorbent cotton wetted with a little petroleum benzine or other adequate solvent.

#### 11.7 Static Electricity

- 11.7.1 Protection film must remove very slowly from the surface of LCD module to prevent from electrostatic occurrence.
- 11.7.2 Because LCD module uses CMOS-IC on TFT-LCD panel, it is very weak to electrostatic discharge. Please be careful with electrostatic discharge.
- 11.7.3 Persons who handle the module should be grounded through adequate methods.

#### 11.8 Disposal

When disposing LCD module, obey the local environmental regulations(temperature 23±5 °C ; humidity 60±10% ).

Document Title	HSD070I651-A**-0299 Final Specification	Page No.	23/23
Document No.	DC140-00	Revision	1.0

## 11.9 OTHERS

11.9.1 A strong incident light into LCD panel might cause display characteristics' changing inferior because of Polarizer film, color filter, and other materials becoming inferior.

Please do not expose LCD module direct sunlight Land strong UV rays.

11.9.2 Please pay attention to a panel side of LCD module not to contact with other materials in preserving it alone.

11.9.3 For the. packaging box, please pay attention to the followings:

11.9.3.1 Packaging box and inner case for LCD are designed to protect the LCDs from the damage or scratching during transportation. Please do not open except picking LCDs up from the box.

11.9.3.2 Please do not pile them up more than 6 boxes. (They are not designed so.) And please do not turn over.

11.9.3.3 Please handle packaging box with care not to give them sudden shock and vibrations. And also please do not throw them up.

11.9.3.4 Packing box and inner case for LCDs are made of cardboard. So please pay attention not to get them wet. (Such like keeping them in high humidity or wet place can occur getting them wet.)