



Document Title	HSD070PWW1-B Tentative Product information	Page No.	1/29
Document No.	DC120-000875	Revision	1.0

TO :

Date : Apr., 20, 2011

HannStar Product Information **(Tentative)**

**Model: HSD070PWW1
-B00**

- Note: (1) The information contained herein is tentative and may be changed without prior notices
(2) Please contact HannStar Display Corp. before designing your product based on this module specification.
(3) The information contained herein is presented merely to indicate the characteristics and performance of our products. No responsibility is assumed by HannStar for any intellectual property claims or other problems that may result from application based on the module described herein.



Document Title	HSD070PWW1-B Tentative Product information	Page No.	2/29
Document No.	DC120-000875	Revision	1.0

Record of Revisions

Rev.	Date	Sub-Model	Description of change
1.0	Apr, 20, 2010	B00	Tentative product information was first released.



Document Title	HSD070PWW1-B Tentative Product information	Page No.	3/29
Document No.	DC120-000875	Revision	1.0

Contents

1.0	General description	p.4
2.0	Absolute maximum ratings.....	p.5
3.0	Optical characteristics.....	p.6
4.0	Block diagram	p.10
5.0	Interface pin connection	p.12
6.0	Electrical characteristics	p.14
7.0	Reliability test items	p.21
8.0	Outline dimension	p.22
9.0	Lot mark	p.24
10.0	Package specification	p.25
11.0	General precaution	p.26



Document Title	HSD070PWW1-B Tentative Product information	Page No.	4/29
Document No.	DC120-000875	Revision	1.0

1.0 GENERAL DESCRIPTION

1.1 Introduction

HannStar Display model HSD070PWW1-B00 is a color active matrix thin film transistor (TFT) liquid crystal display (LCD) that uses amorphous silicon TFT as a switching device. This model is composed of a TFT LCD panel, a driving circuit and a back light system. This TFT LCD has a 7(16:10) inch diagonally measured active display area with WXGA (1280 horizontal by 800 vertical pixel) resolution.

1.2 Features

- 7.0 (16:10 diagonal) inch configuration
- One channel LVDS interface
- 262K color by 6 bit R.G.B signal input
- RoHS Compliance
- Halogen Free

1.3 Applications

- Handbook
- Notebook

1.4 General information

Item	Specification	Unit
Outline Dimension	161.2(Typ) x105.5 (Typ)	mm
Display area	150.72 (H) x 94.2(V)	mm
Number of Pixel	1280 RGB (H) x 800(V)	pixels
Pixel pitch	0.11775(H) x 0.11775(V)	mm
Pixel arrangement	RGB Vertical stripe	
Display mode	Normally Black	
NTSC	50	%
Surface treatment	Glare, Anti-Reflection $\leq 1.5\%$, Hard-Coating (3H)	
Weight	95g(Max.)	g
Back-light	White LED	
Power Consumption	Logic and BLU 2.8 (typ.)3.0(max) @White pattern	W

Document Title	HSD070PWW1-B Tentative Product information	Page No.	5/29
Document No.	DC120-000875	Revision	1.0

1.5 Mechanical Information

Item		Min.	Typ.	Max.	Unit
Module Size	Horizontal (H)	160.9	161.2	161.5	mm
	Vertical (V)	105.2	105.5	105.8	mm
	Depth (D) w/o PCB	—	2.35	2.65	mm
	Depth (D) w/ PCB	—	4.2	4.5	
Weight		—	90	—	g

2.0 ABSOLUTE MAXIMUM RATINGS

2.1 Electrical Absolute Rating

2.1.1 TFT LCD Module

Item	Symbol	Min.	Max.	Unit	Note
Logic Supply voltage	V_{DD}	-0.3	4.0	V	

2.1.2 Environment Absolute Rating

Item	Symbol	Min.	Max.	Unit	Note
Operating Temperature	T_{opa}	-20	70	°C	
Storage Temperature	T_{stg}	-30	80	°C	

Document Title	HSD070PWW1-B Tentative Product information	Page No.	6/29
Document No.	DC120-000875	Revision	1.0

3.0 OPTICAL CHARACTERISTICS

3.1 Optical specification

Item		Symbol	Condition	Min.	Typ.	Max.	Unit	Note
Contrast		CR	$\Theta=0$ Normal viewing angle	640	800	—		(1)(2)(4)
Response time	Rising	Tr+Tf		—	25	35	msec	(1)(3)
White luminance (center)		Y_L		320	400	—	cd/m ²	(1)(4)(5) ($I_L=20mA$)
Color chromaticity (CIE1931)	Red	R_x			0.594			
		R_y			0.358			
	Green	G_x			0.328			
		G_y			0.572			
	Blue	B_x			0.159			
		B_y			0.117			
	White	W_x			0.283	0.313	0.343	
		W_y		0.299	0.329	0.359		
Viewing angle	Hor.	Θ_L	CR>10	80	89	—		(1)(4)
		Θ_R		80	89	—		
	Ver.	Θ_U		80	89	—		
		Θ_D		80	89	—		
Brightness uniformity		B_{UNI}	$\Theta=0$ (9point)	—	—	1.25		(6)

3.2 Measuring Condition

- Measuring surrounding : dark room
- Ambient temperature : $25\pm 2^\circ C$
- 15min. warm-up time.

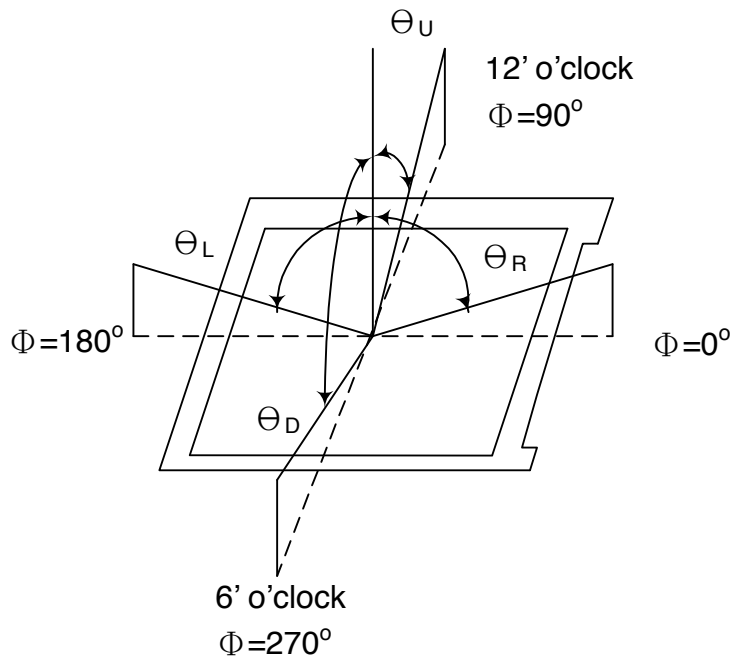
Document Title	HSD070PWW1-B Tentative Product information	Page No.	7/29
Document No.	DC120-000875	Revision	1.0

3.3 Measuring Equipment

- FPM520 of Westar Display technologies, INC., which utilized SR-3 for Chromaticity and BM-5A for other optical characteristics.

- Measuring spot size : 20 ~ 21 mm

Note (1) Definition of Viewing Angle:

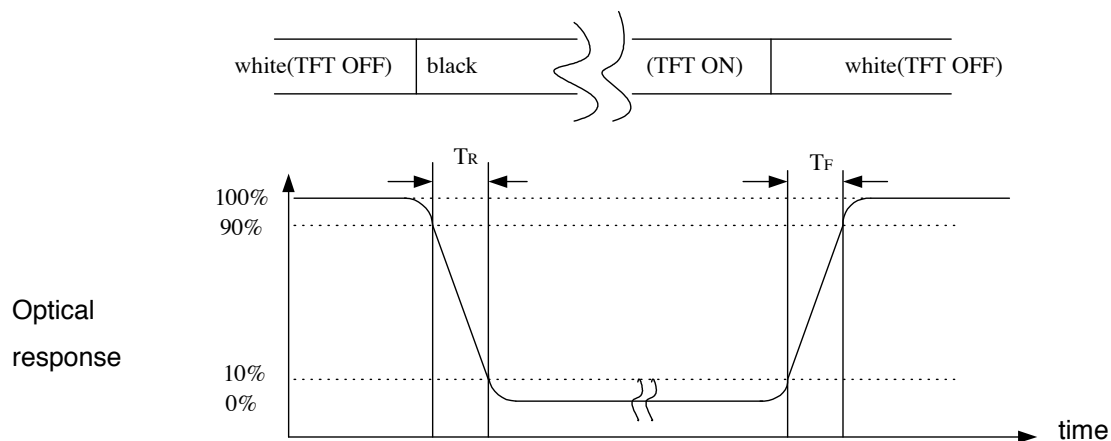


Note (2) Definition of Contrast Ratio (CR) :
measured at the center point of panel

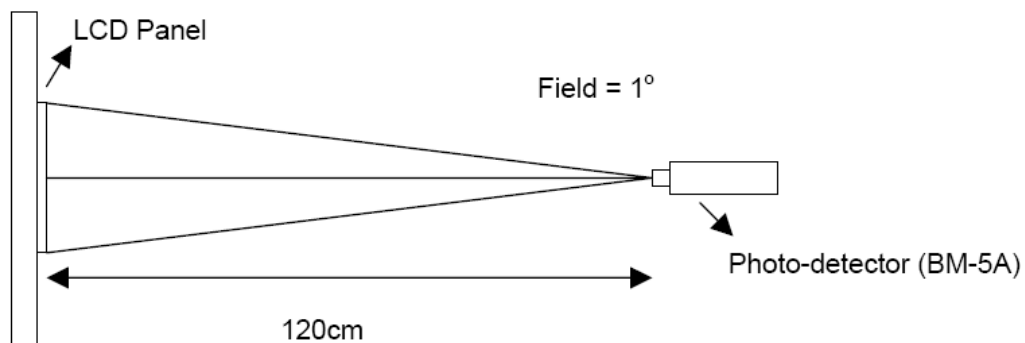
$$CR = \frac{\text{Luminance with all pixels white}}{\text{Luminance with all pixels black}}$$

Document Title	HSD070PWW1-B Tentative Product information	Page No.	8/29
Document No.	DC120-000875	Revision	1.0

Note (3) Definition of Response Time : Sum of T_R and T_F



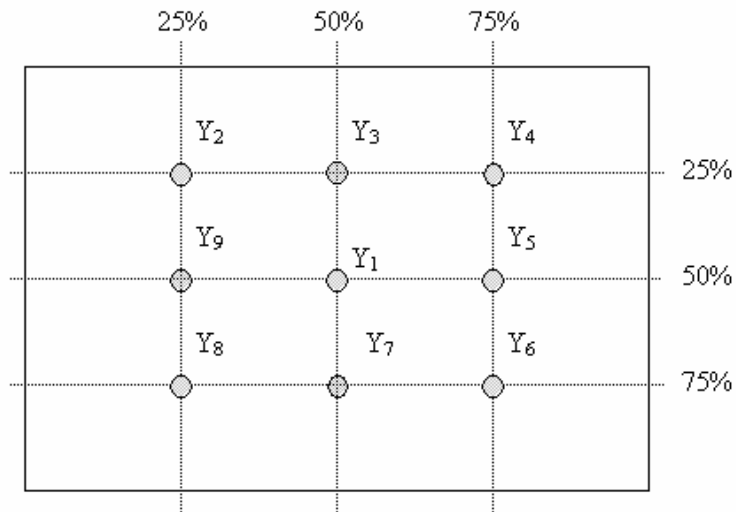
Note (4) Definition of optical measurement setup



Document Title	HSD070PWW1-B Tentative Product information	Page No.	9/29
Document No.	DC120-000875	Revision	1.0

Note (5) Definition of Average Luminance Uniformity of White (9 Point)

$$\text{Average Luminance Uniformity} = \frac{Y_1+Y_2+Y_3+Y_4+Y_5+Y_6+Y_7+Y_8+Y_9}{9}$$



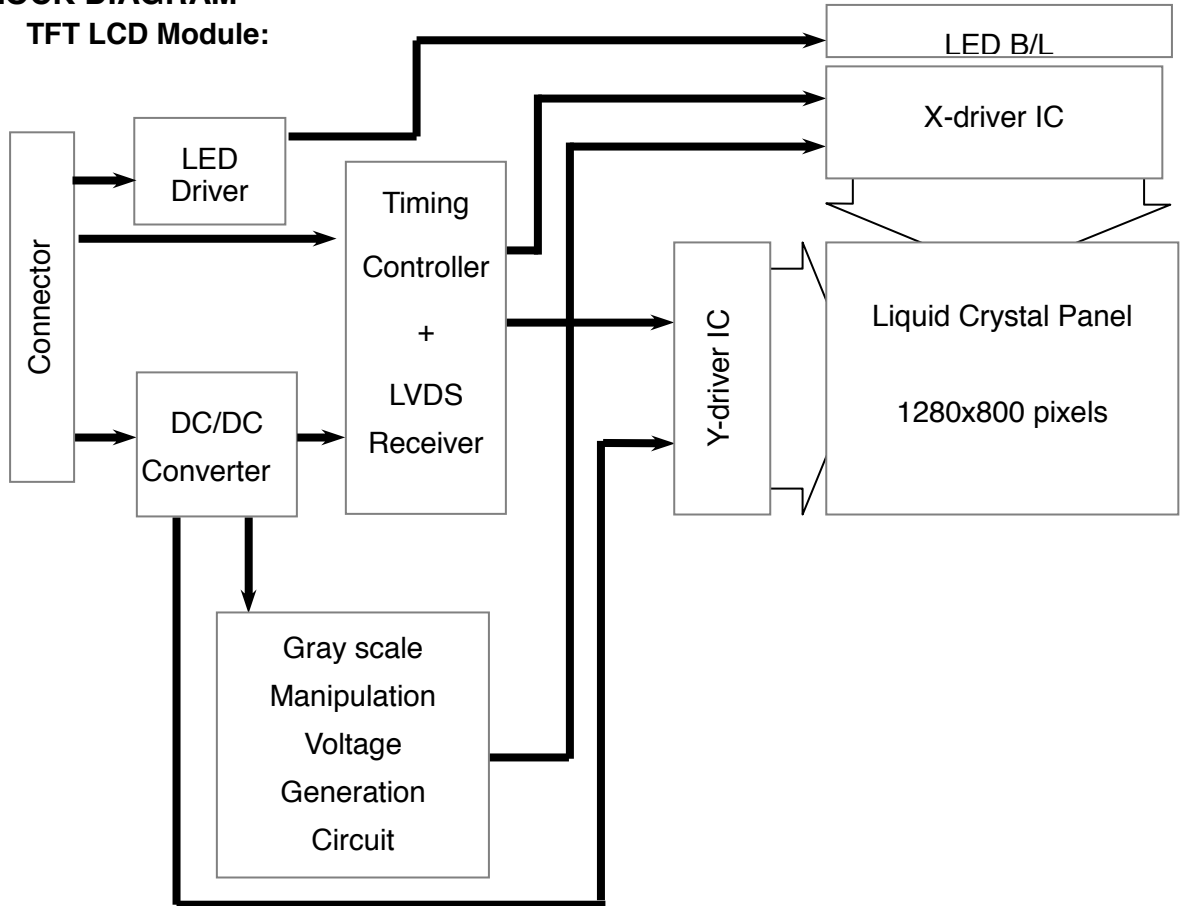
Note (6) Definition of brightness uniformity

$$\text{Luminance uniformity(9 points)} = \frac{(\text{Max Luminance of 9 points})}{(\text{Min Luminance of 9 points})}$$

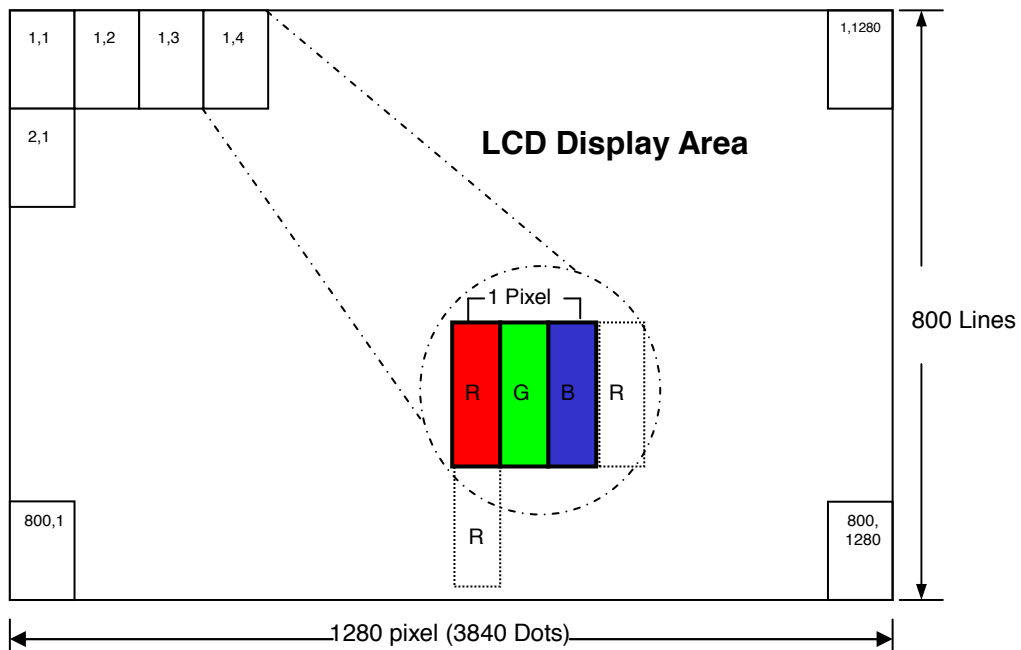
Document Title	HSD070PWW1-B Tentative Product information	Page No.	10/29
Document No.	DC120-000875	Revision	1.0

4.0 BLOCK DIAGRAM

4.1 TFT LCD Module:



4.2 Pixel Format





Document Title	HSD070PWW1-B Tentative Product information	Page No.	11/29
Document No.	DC120-000875	Revision	1.0

4.3 Relationship Between Displayed Color and Input

	Display	MSB						LSB						Gray scale level							
		R5	R4	R3	R2	R1	R0	G5	G4	G3	G2	G1	G0		B5	B4	B3	B2	B1	B0	
Basic color	Black	L	L	L	L	L	L	L	L	L	L	L	L	L	L	L	L	L	L	-	
	Blue	L	L	L	L	L	L	L	L	L	L	L	L	H	H	H	H	H	H	-	
	Green	L	L	L	L	L	L	H	H	H	H	H	H	L	L	L	L	L	L	-	
	Light Blue	L	L	L	L	L	L	H	H	H	H	H	H	H	H	H	H	H	H	-	
	Red	H	H	H	H	H	H	L	L	L	L	L	L	L	L	L	L	L	L	-	
	Purple	H	H	H	H	H	H	L	L	L	L	L	L	H	H	H	H	H	H	-	
	Yellow	H	H	H	H	H	H	H	H	H	H	H	H	L	L	L	L	L	L	-	
	White	H	H	H	H	H	H	H	H	H	H	H	H	H	H	H	H	H	H	-	
Gray scale of Red	Black	L	L	L	L	L	L	L	L	L	L	L	L	L	L	L	L	L	L	L0	
	Dark ↑ ↓ Light	L	L	L	L	L	H	L	L	L	L	L	L	L	L	L	L	L	L	L1	
		L	L	L	L	L	L	L	L	L	L	L	L	L	L	L	L	L	L	L2	
		⋮	⋮	⋮	⋮	⋮	⋮	⋮	⋮	⋮	⋮	⋮	⋮	⋮	⋮	⋮	⋮	⋮	⋮	⋮	L3...L60
		H	H	H	H	L	H	L	L	L	L	L	L	L	L	L	L	L	L	L61	
		H	H	H	H	H	L	L	L	L	L	L	L	L	L	L	L	L	L	L62	
	Red	H	H	H	H	H	H	L	L	L	L	L	L	L	L	L	L	L	L	Red L63	
	Gray scale of Green	Black	L	L	L	L	L	L	L	L	L	L	L	L	L	L	L	L	L	L	L0
Dark ↑ ↓ Light		L	L	L	L	L	L	L	L	L	L	L	H	L	L	L	L	L	L	L1	
		L	L	L	L	L	L	L	L	L	L	L	H	L	L	L	L	L	L	L2	
		⋮	⋮	⋮	⋮	⋮	⋮	⋮	⋮	⋮	⋮	⋮	⋮	⋮	⋮	⋮	⋮	⋮	⋮	⋮	L3...L60
		L	L	L	L	L	L	H	H	H	H	L	H	L	L	L	L	L	L	L61	
		L	L	L	L	L	L	H	H	H	H	H	L	L	L	L	L	L	L	L62	
Green		L	L	L	L	L	L	H	H	H	H	H	H	L	L	L	L	L	L	Green L63	
Gray scale of Blue		Black	L	L	L	L	L	L	L	L	L	L	L	L	L	L	L	L	L	L	L0
	Dark ↑ ↓ Light	L	L	L	L	L	L	L	L	L	L	L	L	L	L	L	L	L	H	L1	
		L	L	L	L	L	L	L	L	L	L	L	L	L	L	L	L	H	L	L2	
		⋮	⋮	⋮	⋮	⋮	⋮	⋮	⋮	⋮	⋮	⋮	⋮	⋮	⋮	⋮	⋮	⋮	⋮	⋮	L3...L60
		L	L	L	L	L	L	L	L	L	L	L	L	H	H	H	H	L	H	L61	
		L	L	L	L	L	L	L	L	L	L	L	L	H	H	H	H	H	L	L62	
	Blue	L	L	L	L	L	L	L	L	L	L	L	L	H	H	H	H	H	H	Blue L63	
	Gray scale of White & Black	Black	L	L	L	L	L	L	L	L	L	L	L	L	L	L	L	L	L	L	L0
Dark ↑ ↓ Light		L	L	L	L	L	H	L	L	L	L	L	H	L	L	L	L	L	H	L1	
		L	L	L	L	L	H	L	L	L	L	H	L	L	L	L	L	H	L	L2	
		⋮	⋮	⋮	⋮	⋮	⋮	⋮	⋮	⋮	⋮	⋮	⋮	⋮	⋮	⋮	⋮	⋮	⋮	⋮	L3...L60
		H	H	H	H	L	H	H	H	H	H	L	H	H	H	H	H	L	H	L61	
		H	H	H	H	H	L	H	H	H	H	H	L	H	H	H	H	H	L	L62	
White	H	H	H	H	H	H	H	H	H	H	H	H	H	H	H	H	H	H	White L63		

Document Title	HSD070PWW1-B Tentative Product information	Page No.	12/29
Document No.	DC120-000875	Revision	1.0

5.0 INTERFACE PIN CONNECTION

5.1 TFT LCD Module : CN1 (Input signal): MSA24046P30B (STM or equivalent)

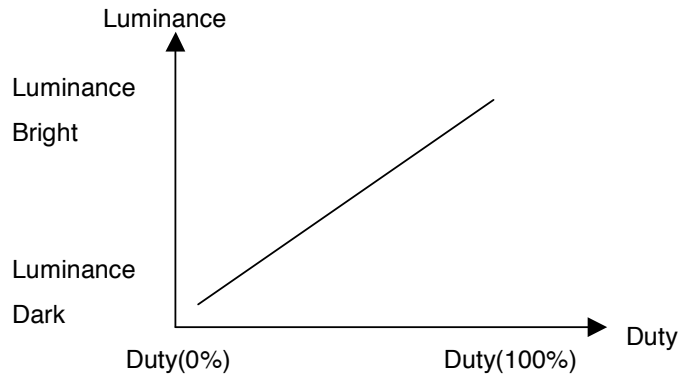
Pin No.	Signal	Description
1	VDD	Power Supply, 3.3V (typical)
2	VDD	Power Supply, 3.3V (typical)
3	VDD	Power Supply, 3.3V (typical)
4	NC	NC
5	GND	Ground
6	RXIN0-	- LVDS differential data input (R0-R5, G0)
7	RXIN0+	+ LVDS differential data input (R0-R5, G0)
8	GND	Ground
9	RXIN1-	- LVDS differential data input (G1-G5, B0-B1)
10	RXIN1+	+ LVDS differential data input (G1-G5, B0-B1)
11	GND	Ground
12	RXIN2-	- LVDS differential data input (B2-B5, HS, VS, DE)
13	RXIN2+	+ LVDS differential data input (B2-B5, HS, VS, DE)
14	GND	Ground
15	RXCLKIN-	- LVDS differential clock input
16	RXCLKIN+	+ LVDS differential clock input
17	GND	Ground
18	NC	NC
19	NC	NC
20	GND	Ground
21	NC	NC
22	NC	NC
23	GND	Ground
24	LED_EN	Adjust for LED backlight brightness (20KHz)
25	NC	NC
26	NC	NC
27	VLED	LED Power Supply, 3~5V
28	VLED	LED Power Supply, 3~5V
29	VLED	LED Power Supply, 3~5V
30	VLED	LED Power Supply, 3~5V

Note : The brightness of LCD panel could be changed by adjusting PWM

Document Title	HSD070PWW1-B Tentative Product information	Page No.	13/29
Document No.	DC120-000875	Revision	1.0

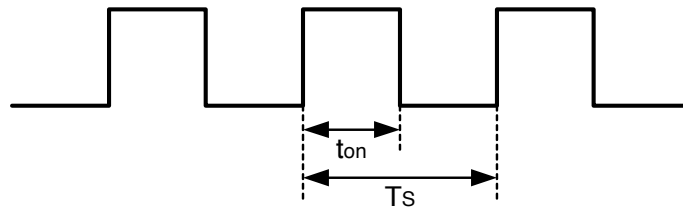
[Note]

(1) LED_EN can adjust brightness to control Pin. Pulse duty the bigger the brighter.



(2) LED_EN Signal=0~3.3V , Operation Conditions :

Parameter	Symbol	Conditions	Min	Typ	Max	Unit
LED_EN Logic-High Level	V _{ADJH}		1.8	3.3	3.6	V
LED_EN Logic-Low Level	V _{ADJL}		0	0	0.4	V
Dimming Frequency	F _{ADJ}		18	20	22	kHz
Dimming Duty Cycle	D		20	--	100	%



$$D = t_{on} / T_s \times 100\%$$

$$F_{ADJ} = 1 / T_s$$

Document Title	HSD070PWW1-B Tentative Product information	Page No.	14/29
Document No.	DC120-000875	Revision	1.0

6.0 ELECTRICAL CHARACTERISTICS

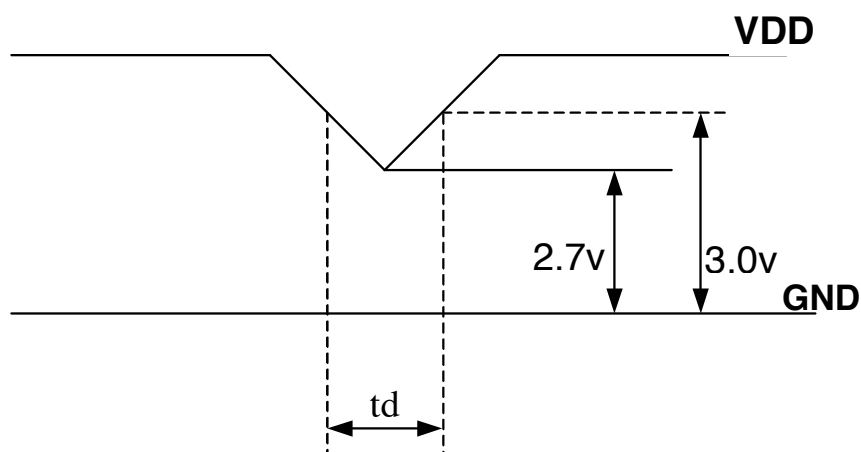
6.1 TFT LCD Module

Item	Symbol	Min.	Typ.	Max.	Unit	Note
Supply Voltage	V_{DD}	3.0	3.3	3.6	V	Note (2)
Current of power supply	I_{DD}	-	0.267	-	A	$V_{DD}=3.3V$ · White pattern (L63)
Inrush current	I_{RUSH}	-	-	1.50	A	Note (2)

Note (1): V_{DD} -dip condition:

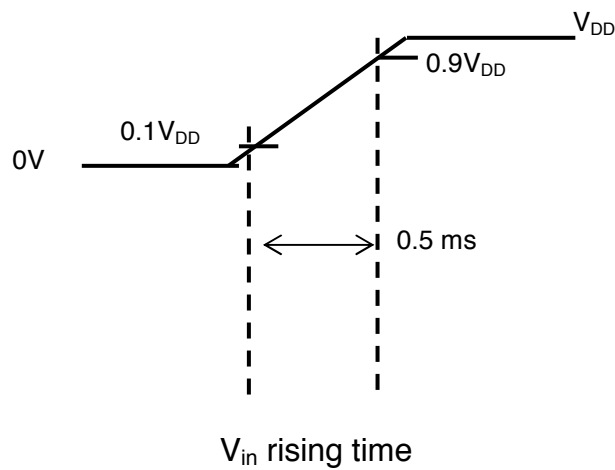
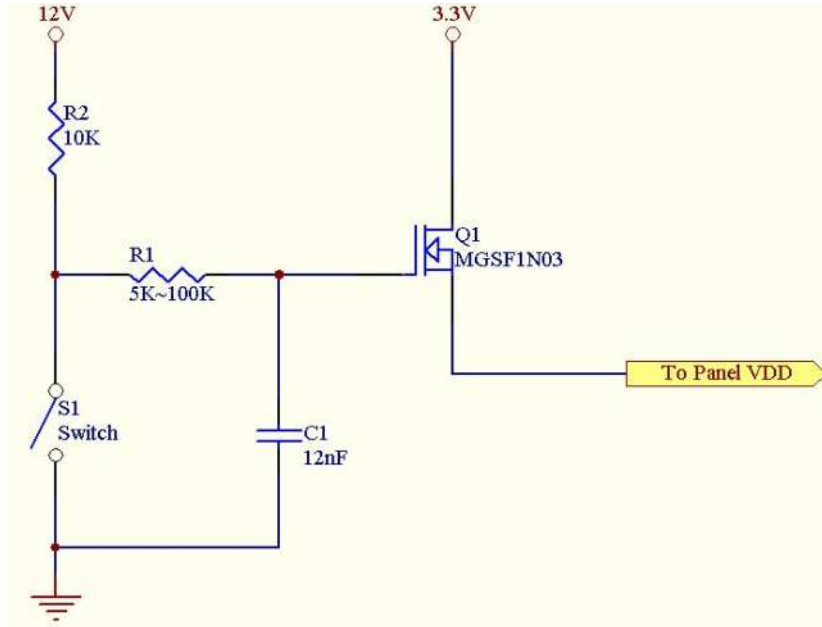
When V_{DD} operating within $2.7V \leq V_{DD} < 3.0V$, $t_d \leq 10ms$, the display may momentarily become abnormal.

$V_{DD} < 2.7V$, V_{DD} dip condition should also follow the Power On/Off conditions for supply voltage.



Document Title	HSD070PWW1-B Tentative Product information	Page No.	15/29
Document No.	DC120-000875	Revision	1.0

Note : (2) Power on Inrush current test circuit

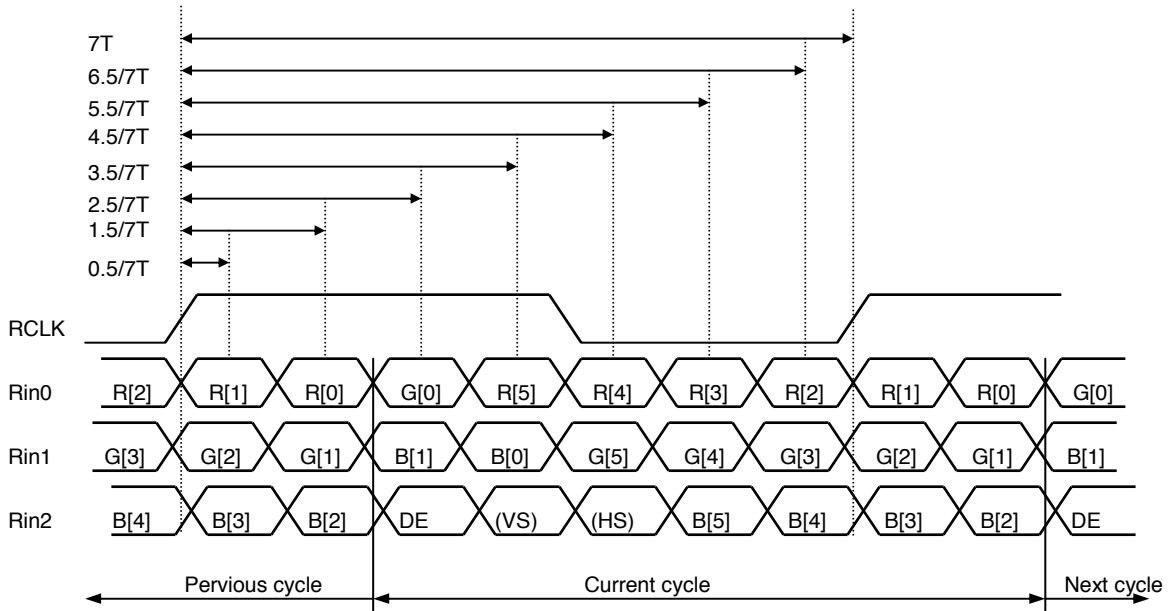


Document Title	HSD070PWW1-B Tentative Product information	Page No.	16/29
Document No.	DC120-000875	Revision	1.0

6.2 Switching Characteristics for LVDS Receiver

Item	Symbol	Min.	Typ.	Max.	Unit	Conditions
Differential Input High Threshold	V _{th}	—	—	100	mV	V _{CM} =1.2V
Differential Input Low Threshold	V _{tl}	-100	—	—	mV	
Input Current	I _{IN}	-10	—	+10	uA	
Differential input Voltage	V _{ID}	0.1	—	0.6	V	
Common Mode Voltage Offset	V _{CM}	(V _{ID} /2)	1.25	2.4-(V _{ID} /2)	V	

6.3 Bit Mapping & Interface Definition



LVDS Receiver Input Timing Definition
for 6bits LVDS input

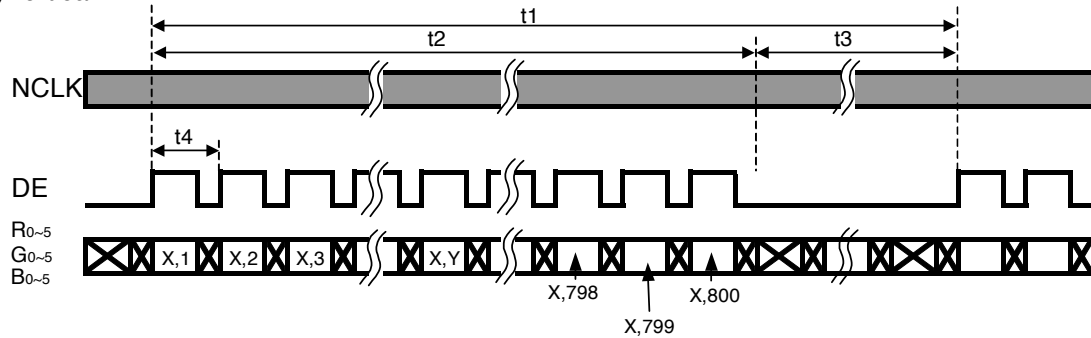
Document Title	HSD070PWW1-B Tentative Product information	Page No.	17/29
Document No.	DC120-000875	Revision	1.0

6.4 Interface Timing (DE mode)

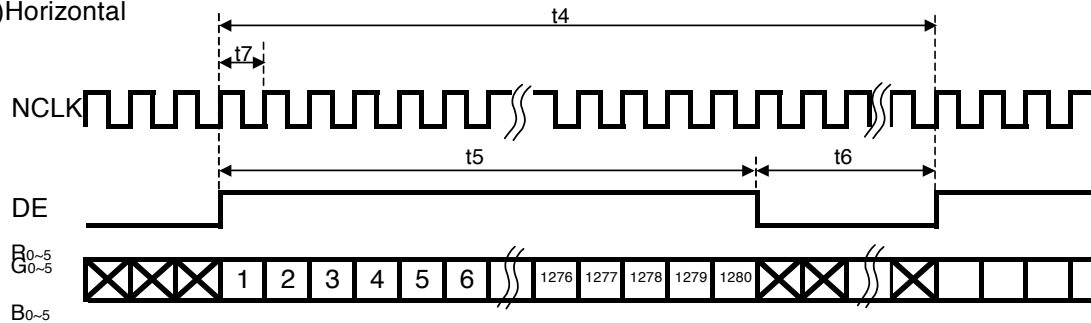
Item	Symbol	Min.	Typ.	Max.	Unit
Frame Rate	--	55	60	65	Hz
Frame Period	t1	803	823	1023	line
Vertical Display Time	t2	800	800	800	line
Vertical Blanking Time	t3	3	23	223	line
1 Line Scanning Time	t4	1334	1440	1961	clock
Horizontal Display Time	t5	1280	1280	1280	clock
Horizontal Blanking Time	t6	54	160	681	clock
Clock Rate	t7	64.3	71.1	82	MHz

Timing Diagram of Interface Signal (DE mode)

(1)Vertical

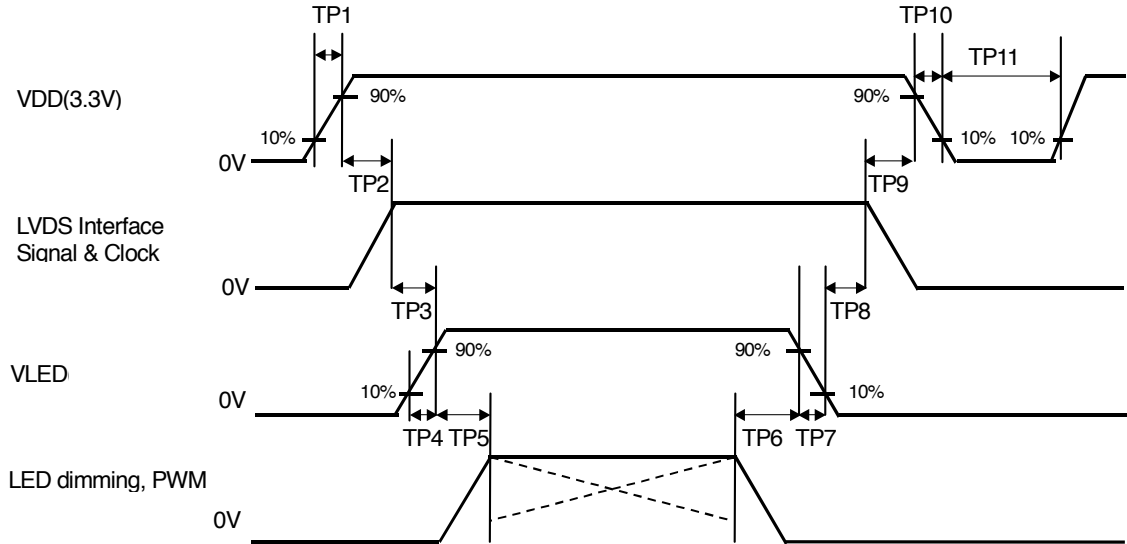


(2)Horizontal



Document Title	HSD070PWW1-B Tentative Product information	Page No.	18/29
Document No.	DC120-000875	Revision	1.0

6.5 Power On / Off Sequence



Item	Min.	Typ.	Max.	Unit	Remark
TP1	0.5	--	10	msec	
TP2	0	--	50	msec	
TP3	200	--	--	msec	
TP4	0.5	--	10	msec	
TP5	10	--	--	msec	
TP6	10	--	--	msec	
TP7	0	--	10	msec	
TP8	200	--	--	msec	
TP9	0	--	50	msec	
TP10	1	--	10	msec	

Document Title	HSD070PWW1-B Tentative Product information	Page No.	19/29
Document No.	DC120-000875	Revision	1.0

- Note :**
- (1) The supply voltage of the external system for the module input should be the same as the definition of V_{DD} .
 - (2) Apply the lamp voltage within the LCD operation range. When the back-light turns on before the LCD operation or the LCD turns off before the back-light turns off, the display may momentarily become white.
 - (3) In case of V_{DD} = off level, please keep the level of input signal on the low or keep a high impedance.
 - (4) TP13 should be measured after the module has been fully discharged between power off and on period.
 - (5) Interface signal shall not be kept at high impedance when the power is on.
 - (6) The duty of LED dimming signal should be more than 20% in TP6 and TP14
 - (7) PWM can adjust brightness to control Pin. Pulse duty the bigger the brighter



Document Title	HSD070PWW1-B Tentative Product information	Page No.	20/29
Document No.	DC120-000875	Revision	1.0

6.6 Backlight Unit

Parameter	Symbol	Min	Typ	Max	Units	Condition
LED Current	I_F	--	20	--	mA	Ta=25°C
LED Voltage	V_F	3.0	3.2	3.4	Volt	Ta=25°C
LED Power consumption	P_{LED}	--	1.536	1.632	Watt	Ta=25°C Note (1)
LED Life-Time	N/A	10,000	--	--	Hour	Ta=25°C $I_F=20mA$ Note (2)

Note (1): Calculator value for reference $P=I_F \times V_F \times N$ (LED Qty')

Note (2): The LED lifetime defines as the estimated time to 50% degradation of final luminous.



Document Title	HSD070PWW1-B Tentative Product information	Page No.	21/29
Document No.	DC120-000875	Revision	1.0

6.7 LED Driver

6.7.1 Absolute Maximum Ratings

Item	Symbol	Min.	Max.	Unit	Note
LED Power Supply voltage	V_{LED}	-0.3	6	Volt	
LED_EN	V_{EN}	--	6	Volt	

6.7.2 DC Electrical Characteristics

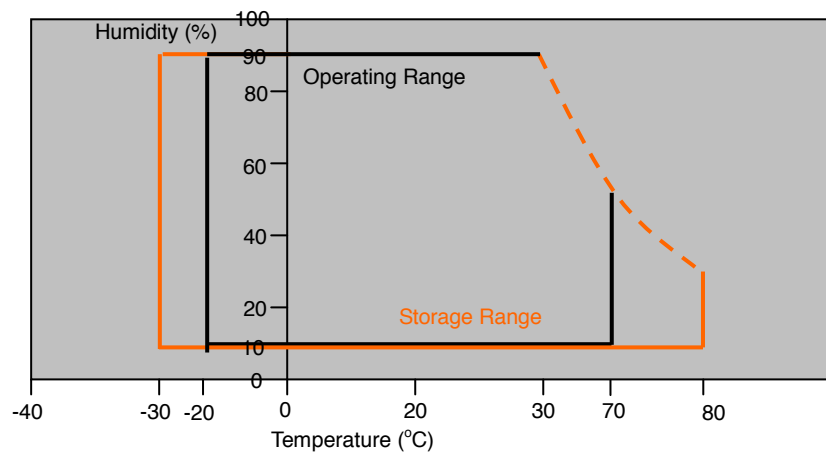
Parameter	Symbol	Min	Typ	Max	Units	Remark
LED Power Supply Voltage	V_{LED}	3.0	--	5.0	Volt	
LED_EN High Threshold	V_{LED_ENH}	1.4	--	V_{LED}	Volt	
LED_EN Low Threshold	V_{LED_ENL}	--	--	0.5	Volt	

Document Title	HSD070PWW1-B Tentative Product information	Page No.	22/29
Document No.	DC120-000875	Revision	1.0

7.0 Reliability test items

No.	Item	Conditions	Remark
1	High Temperature Storage	Ta= +80°C, 240hrs	
2	Low Temperature Storage	Ta= -30°C, 240hrs	
3	High Temperature Operation	Ta= +70°C, 240hrs	
4	Low Temperature Operation	Ta= -20°C, 240hrs	
5	Thermal Cycling Test (non operation)	-30°C(30min)→+80°C(30min),200 cycles	
6	Vibration	Sine Wave 1.04G, 5~500Hz, XYZ 30min/each direction	
7	Shock	Half-Sine, 100G, 6ms, ±XYZ, 3 cycle	

Storage / Operating temperature



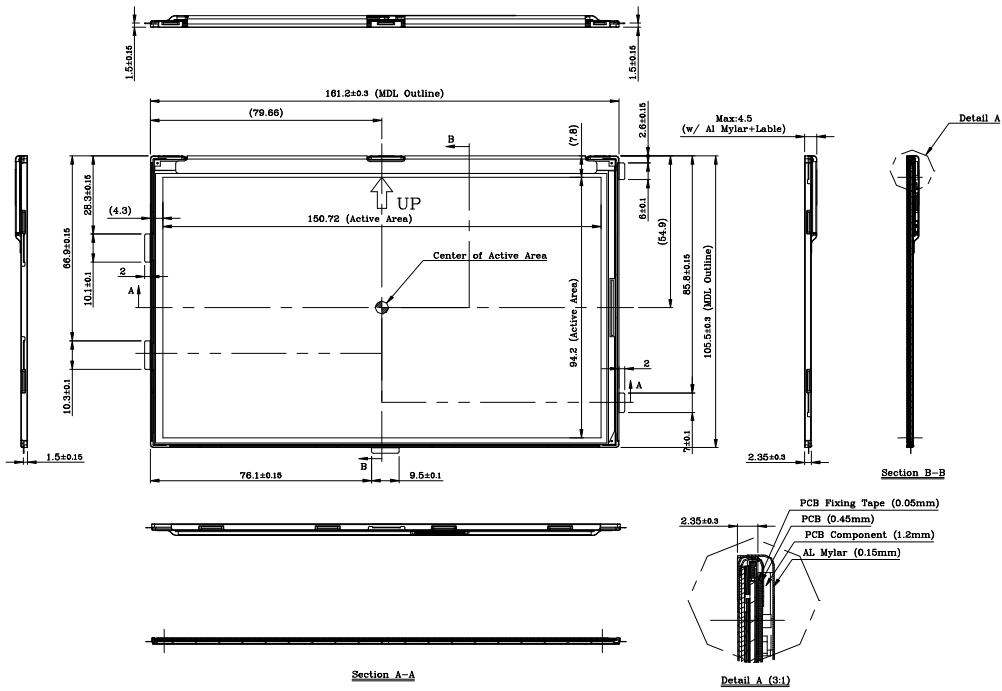
Note .Max wet bulb temp.=39°C

Document Title	HSD070PWW1-B Tentative Product information	Page No.	23/29
Document No.	DC120-000875	Revision	1.0

8.0 OUTLINE DIMENSION

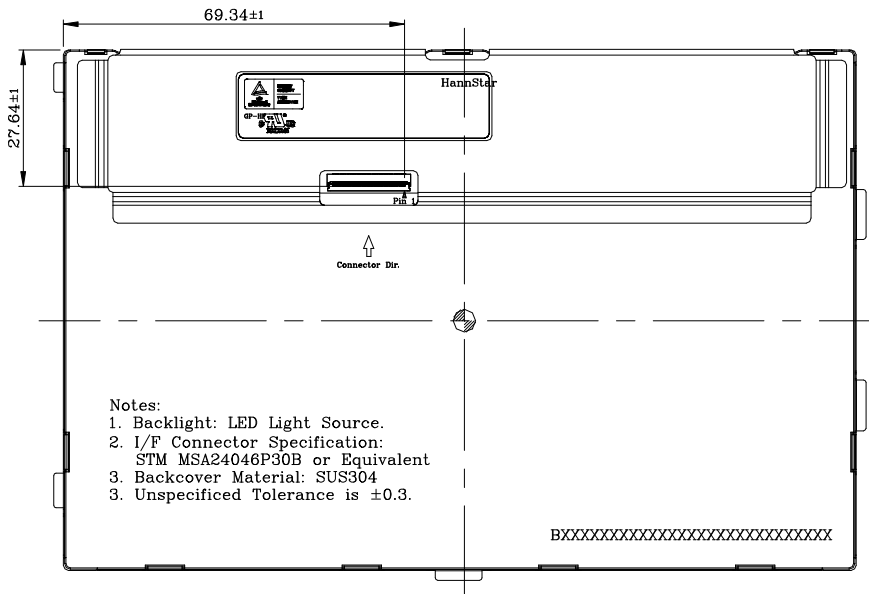
8.1 Front View Outline Dimension

Unit : mm



Document Title	HSD070PWW1-B Tentative Product information	Page No.	24/29
Document No.	DC120-000875	Revision	1.0

8.2 Back View Outline Dimension



Document Title	HSD070PWW1-B Tentative Product information	Page No.	25/29
Document No.	DC120-000875	Revision	1.0

9.0 LOT MARK

9.1 Lot Mark

1	2	3	4	5	6	7	8	9	10	11	12	13	14	15
---	---	---	---	---	---	---	---	---	----	----	----	----	----	----

Code 1,2,3,4,5,6: HannStar internal flow control code.

Code 7: production location.

Code 8: production year.

Code 9: production month.

Code 10,11,12,13,14,15: serial number.

Note (1) Production Year

Year	2006	2007	2008	2009	2010	2011	2012	2013	2014	2015
Mark	6	7	8	9	0	1	2	3	4	5

Note (2) Production Month

Month	Jan.	Feb.	Mar.	Apr.	May.	Jun.	Jul.	Aug.	Sep.	Oct	Nov.	Dec.
Mark	1	2	3	4	5	6	7	8	9	A	B	C

9.2 Location of Lot Mark

(1) The label is attached to the backside of the LCD module.

(2) This is subject to change without prior notice.



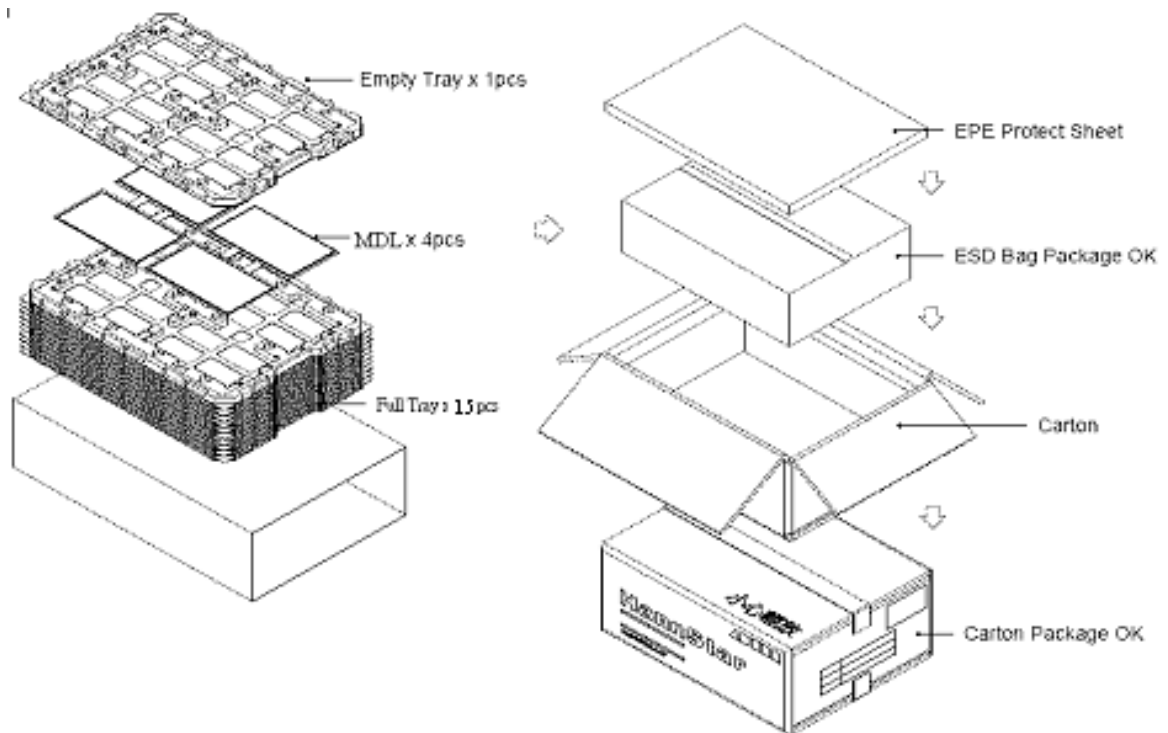
Document Title	HSD070PWW1-B Tentative Product information	Page No.	26/29
Document No.	DC120-000875	Revision	1.0

10.0 PACKAGE SPECIFICATION

10.1 Packing form

LCM Model	LCM Qty. in the box	Inner Box Size (mm)	Notice
HSD070PWW1-B	60 pcs/box	456x350x187(H)mm	

10.2 Packing assembly drawings





Document Title	HSD070PWW1-B Tentative Product information	Page No.	27/29
Document No.	DC120-000875	Revision	1.0

HSD070PWW1-B	Material	Notice
Box	Corrugated Paper Board	AB Flute
Partition/Pad	Corrugated Paper Board	B Flute
Corner Pad	Corrugated Paper Board	B Flute
Tray	PE	--

11.0 GENERAL PRECAUTION

11.1 Use Restriction

This product is not authorized for use in life supporting systems, aircraft navigation control systems, military systems and any other application where performance failure could be life-threatening or otherwise catastrophic.

11.2 Disassembling or Modification

Do not disassemble or modify the module. It may damage sensitive parts inside LCD module, and may cause scratches or dust on the display. HannStar does not warrant the module, if customers disassemble or modify the module.

11.3 Breakage of LCD Panel

- 11.3.1. If LCD panel is broken and liquid crystal spills out, do not ingest or inhale liquid crystal, and do not contact liquid crystal with skin.
- 11.3.2. If liquid crystal contacts mouth or eyes, rinse out with water immediately.
- 11.3.3. If liquid crystal contacts skin or cloths, wash it off immediately with alcohol and rinse thoroughly with water.
- 11.3.4. Handle carefully with chips of glass that may cause injury, when the glass is broken.

11.4 Electric Shock

- 11.4.1. Disconnect power supply before handling LCD module.
- 11.4.2. Do not pull or fold the LED cable.
- 11.4.3. Do not touch the parts inside LCD modules and the fluorescent LED's connector or cables in order to prevent electric shock.

Document Title	HSD070PWW1-B Tentative Product information	Page No.	28/29
Document No.	DC120-000875	Revision	1.0

11.5 Absolute Maximum Ratings and Power Protection Circuit

11.5.1. Do not exceed the absolute maximum rating values, such as the supply voltage variation, input voltage variation, variation in parts' parameters, environmental temperature, etc., otherwise LCD module may be damaged.

11.5.2. Please do not leave LCD module in the environment of high humidity and high temperature for a long time.

11.5.3. It's recommended to employ protection circuit for power supply.

11.6 Operation

11.6.1 Do not touch, push or rub the polarizer with anything harder than HB pencil lead.

11.6.2 Use fingerstalls of soft gloves in order to keep clean display quality, when persons handle the LCD module for incoming inspection or assembly.

11.6.3 When the surface is dusty, please wipe gently with absorbent cotton or other soft material.

11.6.4 Wipe off saliva or water drops as soon as possible. If saliva or water drops contact with polarizer for a long time, they may causes deformation or color fading.

11.6.5 When cleaning the adhesives, please use absorbent cotton wetted with a little petroleum benzine or other adequate solvent.

11.7 Mechanism

Please mount LCD module by using mounting holes arranged in four corners tightly.

11.8 Static Electricity

11.8.1 Protection film must remove very slowly from the surface of LCD module to prevent from electrostatic occurrence.

11.8.2 Because LCD module use CMOS-IC on circuit board and TFT-LCD panel, it is very weak to electrostatic discharge. Please be careful with electrostatic discharge. Persons who handle the module should be grounded through adequate methods.

11.9 Strong Light Exposure

The module shall not be exposed under strong light such as direct sunlight. Otherwise, display characteristics may be changed.

11.10 Disposal

When disposing LCD module, obey the local environmental regulations.



Document Title	HSD070PWW1-B Tentative Product information	Page No.	29/29
Document No.	DC120-000875	Revision	1.0

