



Document Title	HSD100IFW1-C Preliminary Specification	Page No.	1/26
Document No.	DC110-000	Revision	1.0

TO :

Date : **Aug, 1, 2008**

# **HannStar Product Specification** **(Preliminary)**

## **10” Color TFT-LCD Module**

**Model: HSD100IFW1**

**-C\*\***

- Note:
1. The information contained herein is tentative and may be changed without prior notices
  2. Please contact HannStar Display Corp. before designing your product based on this module specification.
  3. The information contained herein is presented merely to indicate the characteristics and performance of our products. No responsibility is assumed by HannStar for any intellectual property claims or other problems that may result from application based on the module described herein.
  4. The mark “ \*\* ” of Model means sub-model code.



Document Title	HSD100IFW1-C Preliminary Specification	Page No.	2/26
Document No.	DC110-000	Revision	1.0

### Record of Revisions

Rev.	Date	Sub-Model	Description of change
1.0	Aug., 1, 2008	-	Preliminary Product Specification was first released.



Document Title	HSD100IFW1-C Preliminary Specification	Page No.	3/26
Document No.	DC110-000	Revision	1.0

## Contents

1.0	General description .....	p.4
2.0	Absolute maximum ratings.....	p.5
3.0	Optical characteristics.....	p.6
4.0	Block diagram .....	p.10
5.0	Interface pin connection .....	p.11
6.0	Electrical characteristics .....	p.13
7.0	Reliability test items .....	p.21
8.0	Outline dimension .....	p.22
9.0	Lot mark .....	p.23
10.0	Package specification .....	p.24
11.0	General precaution .....	p.25

Document Title	HSD100IFW1-C Preliminary Specification	Page No.	4/26
Document No.	DC110-000	Revision	1.0

## 1.0 GENERAL DESCRIPTION

### 1.1 Introduction

HannStar Display model HSD100IFW1-C is a color active matrix thin film transistor (TFT) liquid crystal display (LCD) that uses amorphous silicon TFT as a switching device. This model is composed of a TFT LCD panel, a driving circuit and a back light system. This TFT LCD has a 10 (17:10) inch diagonally measured active display area with WSVGA (1024 horizontal by 600 vertical pixel) resolution.

### 1.2 Features

- 10 (17:10 diagonal) inch configuration
- 6 bits driver with 1channel TTL interface
- RoHS and Halogen-Free Compliance

### 1.3 Applications

- Portable DVD
- Digital Photo frame
- Display terminal for AV application

### 1.4 General information

Item	Specification	Unit	
Outline Dimension	235 x 145.8 x 5.5 (Typ.)	mm	
Display area	220.416(H) x 129.15(V)	mm	
Number of Pixel	1024 RGB (H) x 600(V)	pixels	
Pixel pitch	0.21525(H) x 0.21525(V)	mm	
Pixel arrangement	RGB Vertical stripe		
Display mode	Normally white		
Surface treatment	Antiglare, Hard-Coating (3H) with EWV film		
Weight	(235) (Typ.)	g	
Back-light	Single LED (Side-Light type)		
Power Consumption	Logic System	(0.6) (Max.)	W
	B/L System	(2.4) (Max.)	W

### 1.5 Mechanical Information

Item	Min.	Typ.	Max.	Unit	
Module Size	Horizontal (H)	234.5	235	235.5	mm
	Vertical (V)	145.3	145.8	146.3	mm
	Depth (D)	—	5.5	5.8	mm
Weight	—	(235)	—	g	

Document Title	HSD100IFW1-C Preliminary Specification	Page No.	5/26
Document No.	DC110-000	Revision	1.0

## 2.0 ABSOLUTE MAXIMUM RATINGS

### 2.1 Electrical Absolute Rating

#### 2.1.1 TFT LCD Module

Item	Symbol	Min.	Max.	Unit	Note
Digital Supply voltage	VCC	-0.5	5	V	
Analog Supply voltage	AVDD	-0.5	13.5	V	
Supply voltage	V1~V7	0.4AVDD	AVDD+0.3	V	
	V8~V14	-0.3	0.6AVDD	V	
Digital input voltage	-	-0.5	VCC+0.5	V	

#### 2.1.2 Back-Light Unit

Item	Symbol	Typ.	Max.	Unit	Note
LED current	I <sub>L</sub>	200	—	mA	(1) (2)(3)
LED voltage	V <sub>L</sub>	10.5	—	V	(1) (2)(3)

Note (1) Permanent damage may occur to the LCD module if beyond this specification. Functional operation should be restricted to the conditions described under normal operating conditions.

(2) Ta =25±2°C

(3) Test Condition: LED current 200 mA. The LED lifetime could be decreased if operating I<sub>L</sub> is larger than 200mA.

### 2.2 Environment Absolute Rating

Item	Symbol	Min.	Max.	Unit	Note
Operating Temperature	T <sub>opa</sub>	0	50	°C	
Storage Temperature	T <sub>stg</sub>	-20	60	°C	

Document Title	HSD100IFW1-C Preliminary Specification	Page No.	6/26
Document No.	DC110-000	Revision	1.0

### 3.0 OPTICAL CHARACTERISTICS

#### 3.1 Optical specification

Item	Symbol	Condition	Min.	Typ.	Max.	Unit	Note	
Contrast	CR	Normal viewing angle	400	500	—		(1)(2)	
Response time	Rising		$T_R$	—	5	7	msec	(1)(3)
	Falling		$T_F$	—	20	28		
White luminance (Center)	$Y_L$			200	250	—	cd/m <sup>2</sup>	(1)(4) ( $I_L=200mA$ )
Color chromaticity (CIE1931)	White		$W_x$	0.260	0.310	0.360		(1)(4)
		$W_y$	0.280	0.330	0.380			
Viewing angle	Hor.	$\theta_L$	60	70	—			
		$\theta_R$	60	70	—			
	Ver.	$\theta_U$	40	50	—			
		$\theta_D$	50	60	—			
Brightness uniformity	$B_{UNI}$	$\theta=0$	70	—	—	%	(5)	
Optima View Direction	6 O' clock						(6)	

#### 3.2 Measuring Condition

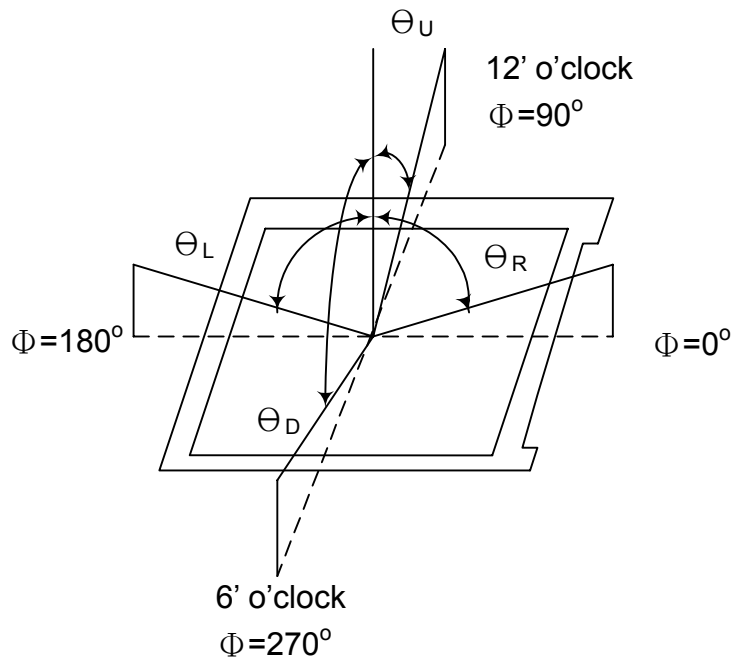
- Measuring surrounding : dark room
- LED current  $I_L$  : 200mA
- Ambient temperature : 25±2°C
- 15min. warm-up time.

Document Title	HSD100IFW1-C Preliminary Specification	Page No.	7/26
Document No.	DC110-000	Revision	1.0

**3.3 Measuring Equipment**

- FPM520 of Westar Display technologies, INC., which utilized SR-3 for Chromaticity and BM-5A for other optical characteristics.
- Measuring spot size : 20 ~ 21 mm

**Note (1)** Definition of Viewing Angle:

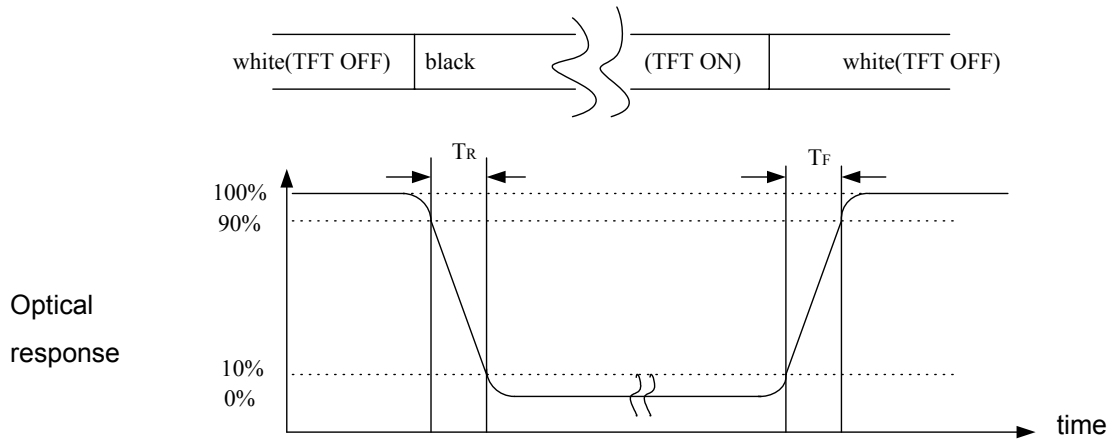


**Note (2)** Definition of Contrast Ratio (CR) :  
measured at the center point of panel

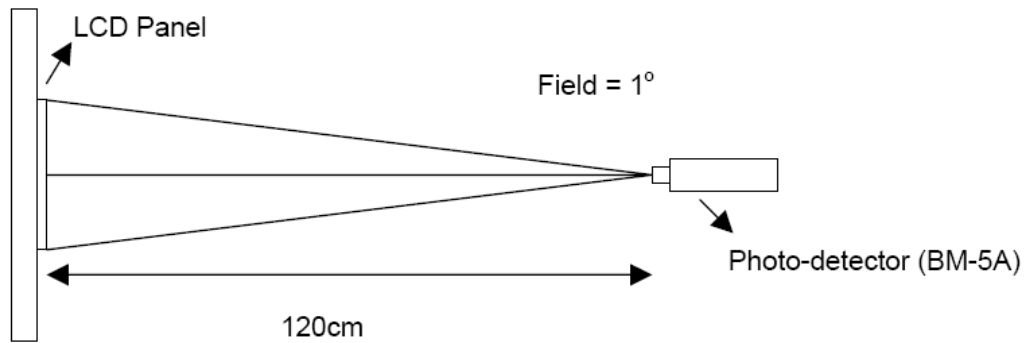
$$CR = \frac{\text{Luminance with all pixels white}}{\text{Luminance with all pixels black}}$$

Document Title	HSD100IFW1-C Preliminary Specification	Page No.	8/26
Document No.	DC110-000	Revision	1.0

**Note (3)** Definition of Response Time : Sum of  $T_R$  and  $T_F$



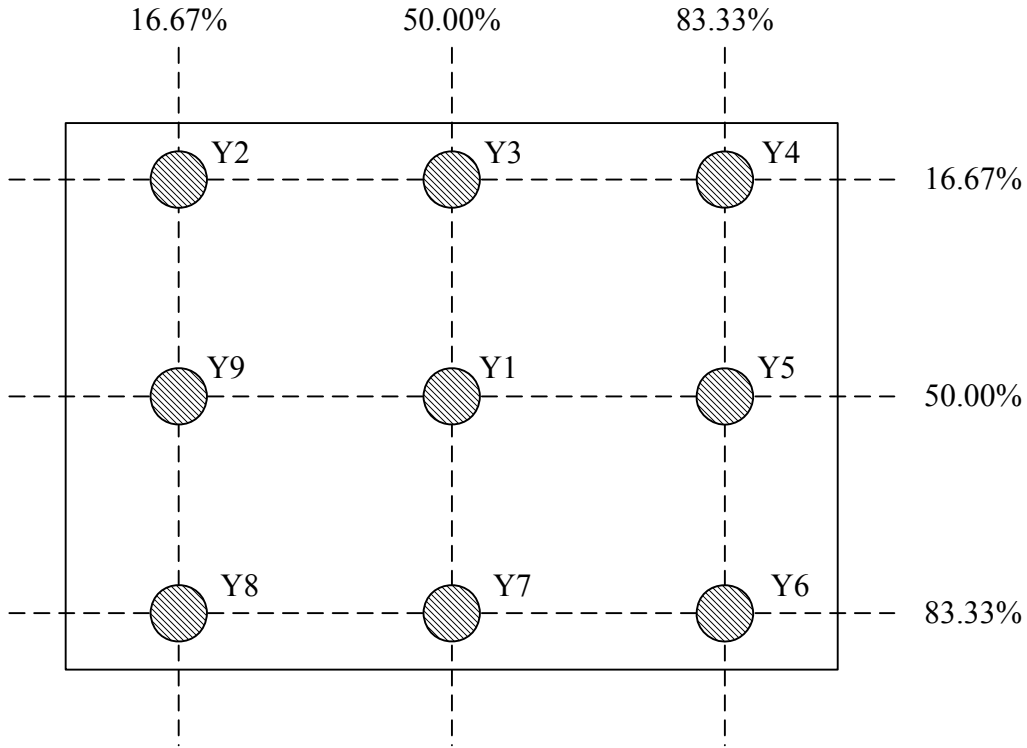
**Note (4)** Definition of optical measurement setup





Document Title	HSD100IFW1-C Preliminary Specification	Page No.	9/26
Document No.	DC110-000	Revision	1.0

**Note (5)** Definition of brightness uniformity



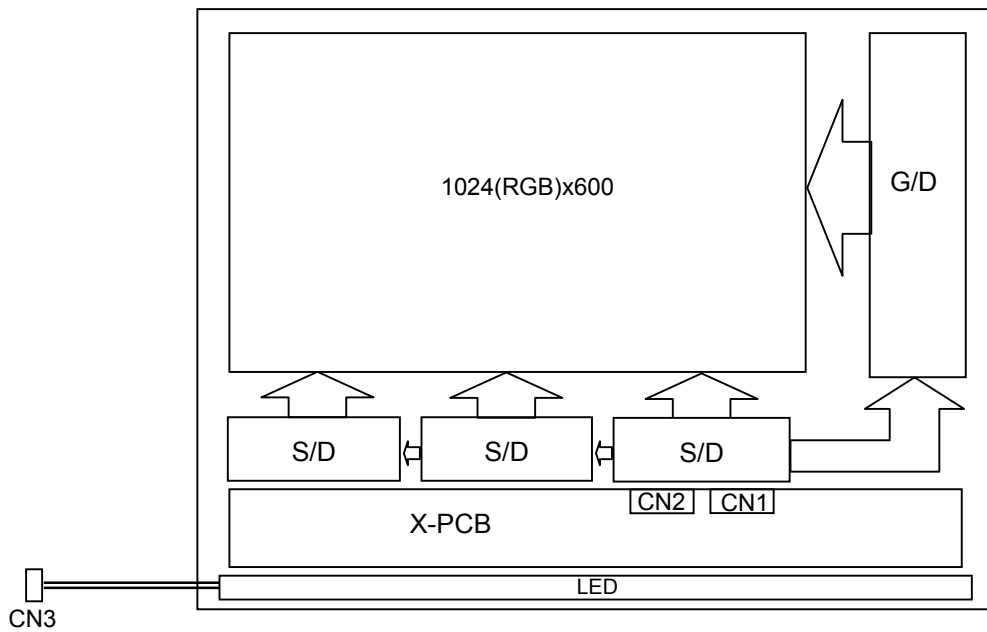
$$\text{Luminance uniformity} = \frac{(\text{Min Luminance of 9 points})}{(\text{Max Luminance of 9 points})} \times 100\%$$

**Note (6)** : Rubbing Direction (The different Rubbing Direction will cause the different optima view direction.)

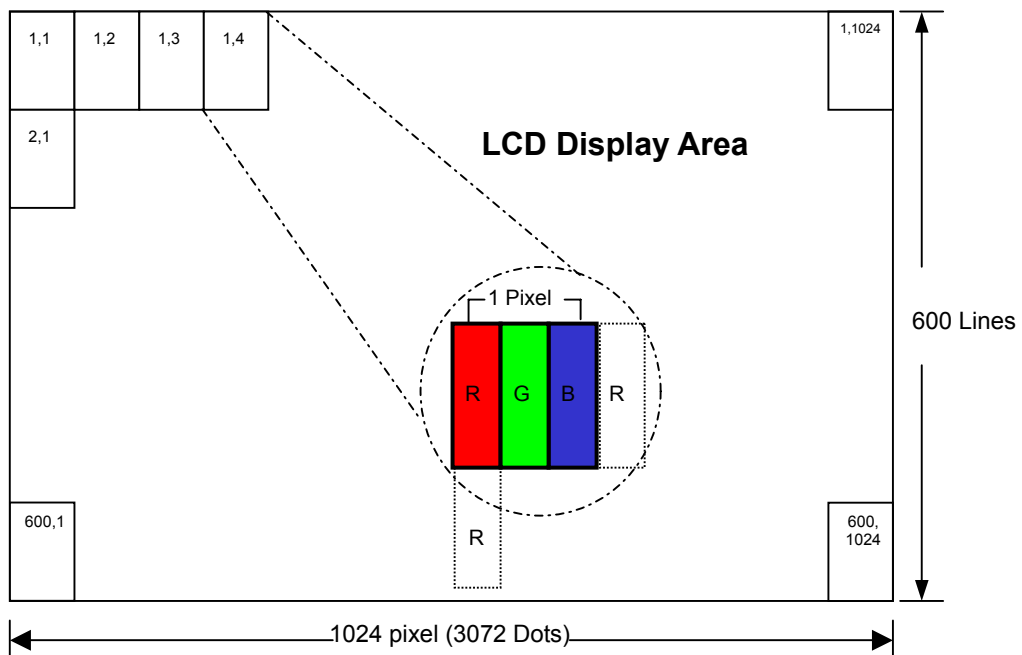
Document Title	HSD100IFW1-C Preliminary Specification	Page No.	10/26
Document No.	DC110-000	Revision	1.0

## 4.0 BLOCK DIAGRAM

### 4.1 TFT LCD Module:



### 4.2 Pixel Format



Document Title	HSD100IFW1-C Preliminary Specification	Page No.	11/26
Document No.	DC110-000	Revision	1.0

## 5.0 INTERFACE PIN CONNECTION

### 5.1 TFT LCD Module :

**CN1 (Input signal): 30pin, 0.5mm pitch, 196033-30041-3 (P-TWO or equivalent)**

Pin No.	Signal	Description
1	POL	Polarity Setting
2	STVD	Vertical Line start pulse I/O signal
3	OE123R	Vertical Line output Enable signal
4	G-CLKR	Vertical Line Clock
5	STVU	Vertical Line start pulse I/O signal
6	GND	Digital Power Ground
7	EDGSEL	Define clock edge select input, default EDGSEL=L. EDGSEL=L Latch data by rising edge of clock EDGSEL=H Latch data by rising and falling edges of clock
8	VCC	Digital Voltage Input
9	V9	Gamma Voltage Input
10	VGL	Gate OFF Voltage
11	V2	Gamma Voltage Input
12	VGH	Gate ON Voltage
13	V6	Gamma Voltage Input
14	UDC	Shift up/down control signal UDC = "H", up shift: STVD (Input) →G1 ~ G600→STVU (Output) UDC= "L", down shift: STVU (Input) →G600~G1→STVD (Output)
15	VCOM	Common Voltage
16	AGND	Analog Power Ground
17	AVDD	Analog Voltage Input
18	V14	Gamma Voltage Input
19	V11	Gamma Voltage Input
20	V8	Gamma Voltage Input
21	V5	Gamma Voltage Input
22	V3	Gamma Voltage Input
23	GND	Digital Power Ground
24	R5	Red Data Bus Input (MSB)
25	R4	Red Data Bus Input
26	R3	Red Data Bus Input
27	R2	Red Data Bus Input
28	R1	Red Data Bus Input
29	R0	Red Data Bus Input (LSB)
30	GND	Digital Power Ground

Document Title	HSD100IFW1-C Preliminary Specification	Page No.	12/26
Document No.	DC110-000	Revision	1.0

**CN2 (Input signal): 30pin, 0.5mm pitch, 196033-30041-3 (P-TWO or equivalent)**

Pin No.	Signal	Description
1	GND	Digital Power Ground
2	G5	Green Data Bus Input (MSB)
3	G4	Green Data Bus Input
4	G3	Green Data Bus Input
5	G2	Green Data Bus Input
6	G1	Green Data Bus Input
7	G0	Green Data Bus Input (LSB)
8	DIO2_COF3	Horizontal Line start pulse I/O signal (STHR)
9	REV	Data Invert signal
10	GND	Digital Power Ground
11	CLK	Pixel clock
12	VCC	Digital Voltage Input
13	DIO1_COF1	Horizontal Line start pulse I/O signal (STHL)
14	LD	Polarity latch and re-flash new data to output
15	B5	Blue Data Bus Input (MSB)
16	B4	Blue Data Bus Input
17	B3	Blue Data Bus Input
18	B2	Blue Data Bus Input
19	B1	Blue Data Bus Input
20	B0	Blue Data Bus Input (LSB)
21	LRC	Select left or right shift, normally pulled high. SHL="1": DIO1→ OUT1,2,3→OUT4,5,6→ OUT1198,1199,1200 = DIO2 SHL="0": DIO1= OUT1,2,3 ← OUT4,5,6← OUT1198,1199,1200←DIO2
22	V1	Gamma Voltage Input
23	V4	Gamma Voltage Input
24	V7	Gamma Voltage Input
25	V10	Gamma Voltage Input
26	V12	Gamma Voltage Input
27	V13	Gamma Voltage Input
28	AVDD	Analog Voltage Input
29	AGND	Analog Power Ground
30	VCOM	Common Voltage

## 5.2 Back-Light Unit

**CN3 LED Power Source (BHSR-02VS-1) or equivalent**

Mating Connector: **(SBHT-002T-P0.5) or equivalent**

Terminal no.	Symbol	Function
1	V <sub>L</sub>	LED power supply (high voltage)
2	G <sub>L</sub>	LED power supply (low voltage)

Document Title	HSD100IFW1-C Preliminary Specification	Page No.	13/26
Document No.	DC110-000	Revision	1.0

## 6.0 ELECTRICAL CHARACTERISTICS

### 6.1 TFT LCD Module

Item	Symbol	Min.	Typ.	Max.	Unit	Note
Supply Voltage	V <sub>CC</sub>	3.0	3.3	3.6	V	Note (2), Note (3)
	V <sub>GH</sub>	14.55	15	15.45	V	Note (2), Note (3)
	V <sub>GL</sub>	-7.35	-7	-6.65	V	Note (2), Note (3)
	A <sub>VDD</sub>	9.22	9.48	9.75	V	Note (2), Note (3)
V <sub>COM</sub>	V <sub>COMin</sub>	-	3.41	-	V	
Input signal voltage	V <sub>IH</sub>	0.7 V <sub>CC</sub>	-	V <sub>CC</sub>	V	Note (1)
	V <sub>IL</sub>	0	-	0.3 V <sub>CC</sub>	V	
Current of power supply	I <sub>CC</sub>	-	5	-	mA	V <sub>CC</sub> = 3.3V
	I <sub>ADD</sub>	-	60	-	mA	A <sub>VDD</sub> = 9.5 V (Black)
	I <sub>GH</sub>	-	0.3	-	mA	V <sub>GH</sub> = 15 V
	I <sub>GL</sub>	-	0.6	-	mA	V <sub>GL</sub> = -7 V
Input level of V1~V5	V <sub>x</sub>	A <sub>VDD</sub> /2	-	A <sub>VDD</sub> -0.1	V	
Input level of V6~V10	V <sub>x</sub>	0.1	-	A <sub>VDD</sub> /2	V	

Note (1): HSYNC, VSYNC, DE, Digital Data

Note (2): Be sure to apply the power voltage as the power sequence spec.

Note (3): DGND=AGND=0V

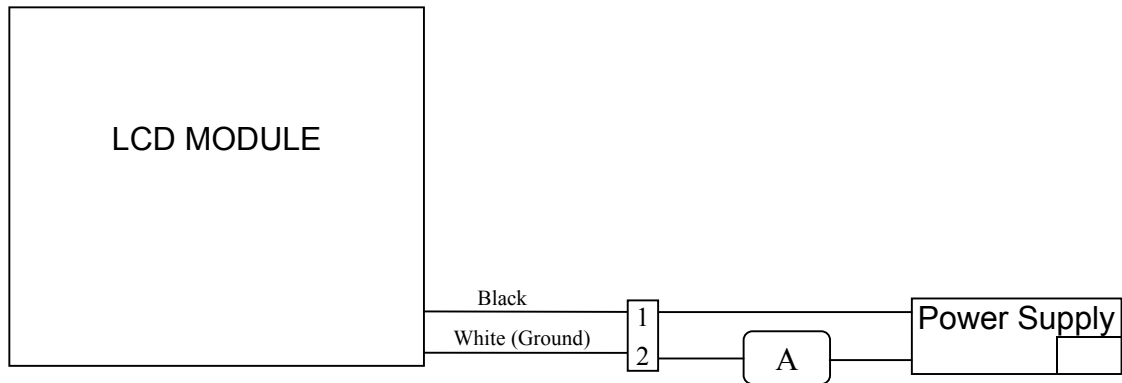
Document Title	HSD100IFW1-C Preliminary Specification	Page No.	14/26
Document No.	DC110-000	Revision	1.0

### 6.2 Back-Light Unit

The back-light system is an edge-lighting type with 30 LED.

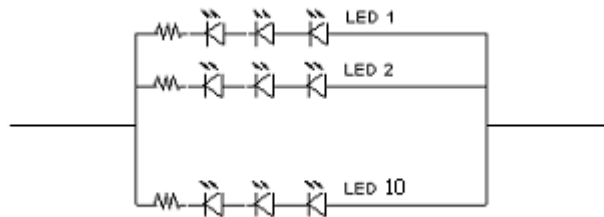
The characteristics of the LED are shown in the following tables.

Item	Symbol	Min.	Typ.	Max.	Unit	Note
LED current	$I_L$	—	200	—	mA	(2)
LED voltage	$V_L$	—	10.5	—	V	
Operating LED life time	Hr	20000	—	—	Hour	(1)(2)



Note (1) LED life time (Hr) can be defined as the time in which it continues to operate under the condition:  $T_a=25\pm 3^\circ\text{C}$ , typical  $I_L$  value indicated in the above table until the brightness becomes less than 50%.

Note (2) The “LED life time” is defined as the module brightness decrease to 50% original brightness at  $T_a=25^\circ\text{C}$  and  $I_L=200\text{mA}$ . The LED lifetime could be decreased if operating  $I_L$  is larger than 200mA. The constant current driving method is suggested.



**LED Light Bar Circuit**



Document Title	HSD100IFW1-C Preliminary Specification	Page No.	16/26
Document No.	DC110-000	Revision	1.0

### 6.3 AC Characteristics

#### Source Driver Timing

Item	Symbol	Min.	Typ.	Max.	Unit	Note
CLK frequency	Fclk	-	55	70	MHz	-
CLK pulse width	Tcw	6	-	-	ns	-
Data set-up time	Tsu	4	-	-	ns	-
Data hold time	Thd	2	-	-	ns	-
Propagation delay of DIO2/1	Tphl	6	10	15	ns	CL=25pF ( Output )
Time that the last data to LD	Tld	1	-	-	Tcph	-
Pulse width of LD	Twld	2	-	-	Tcph	-
Time that LD to DIO1/2	Tlds	5	-	-	Tcph	-
POL set-up time	Tpsu	6	-	-	ns	POL to LD
POL hold time	Tphd	6	-	-	ns	POL to LD

#### Gate Driver Timing

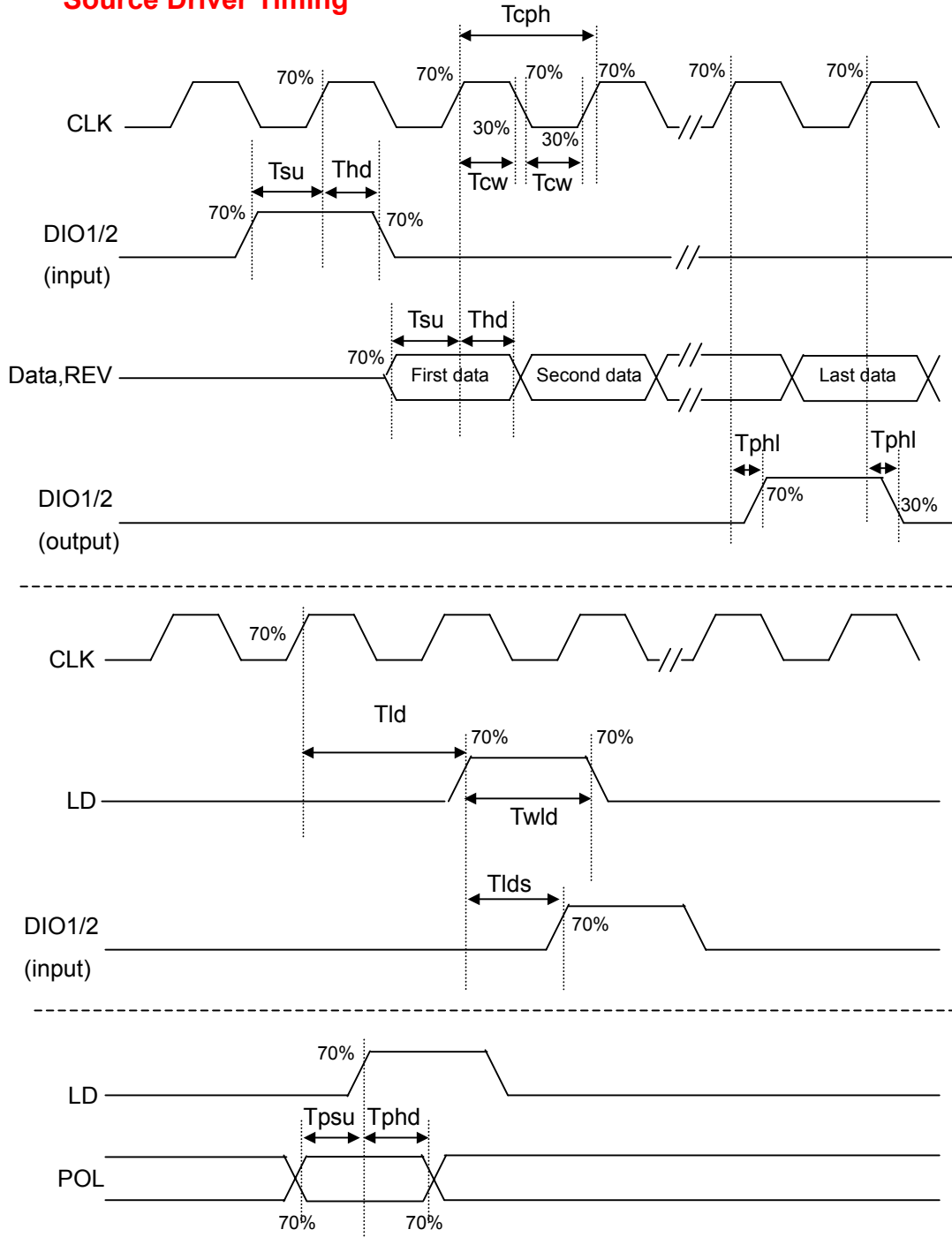
Item	Symbol	Min.	Typ.	Max.	Unit	Note
CPV period	Tcpv	5	-	-	us	-
CPV pulse width	Tcpvh, Tcplv	2.5	-	-	us	50% duty cycle
OE pulse width	Twoe	1	-	-	us	-
Data setup time	Tsu	0.7	-	-	us	-
Data hold time	Thd	0.7	-	-	us	-



Document Title	HSD100IFW1-C Preliminary Specification	Page No.	17/26
Document No.	DC110-000	Revision	1.0

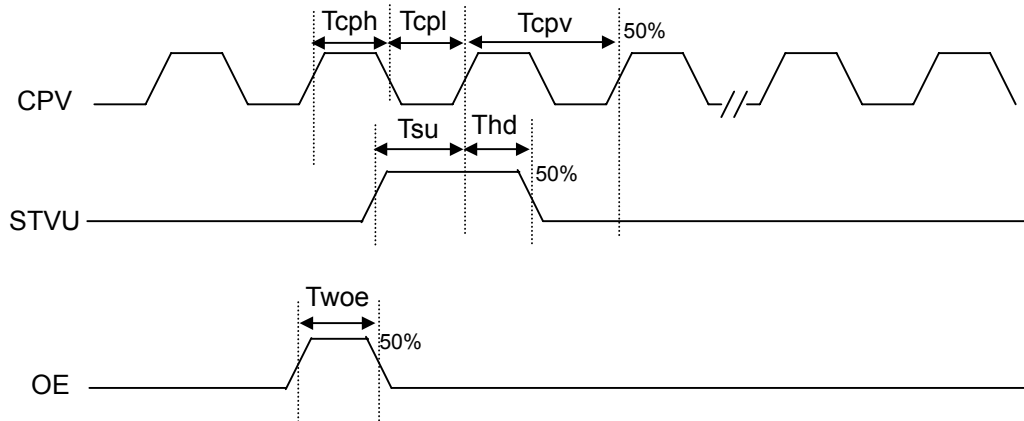
### 6.4 Timing Diagram of Interface Signal

#### Source Driver Timing



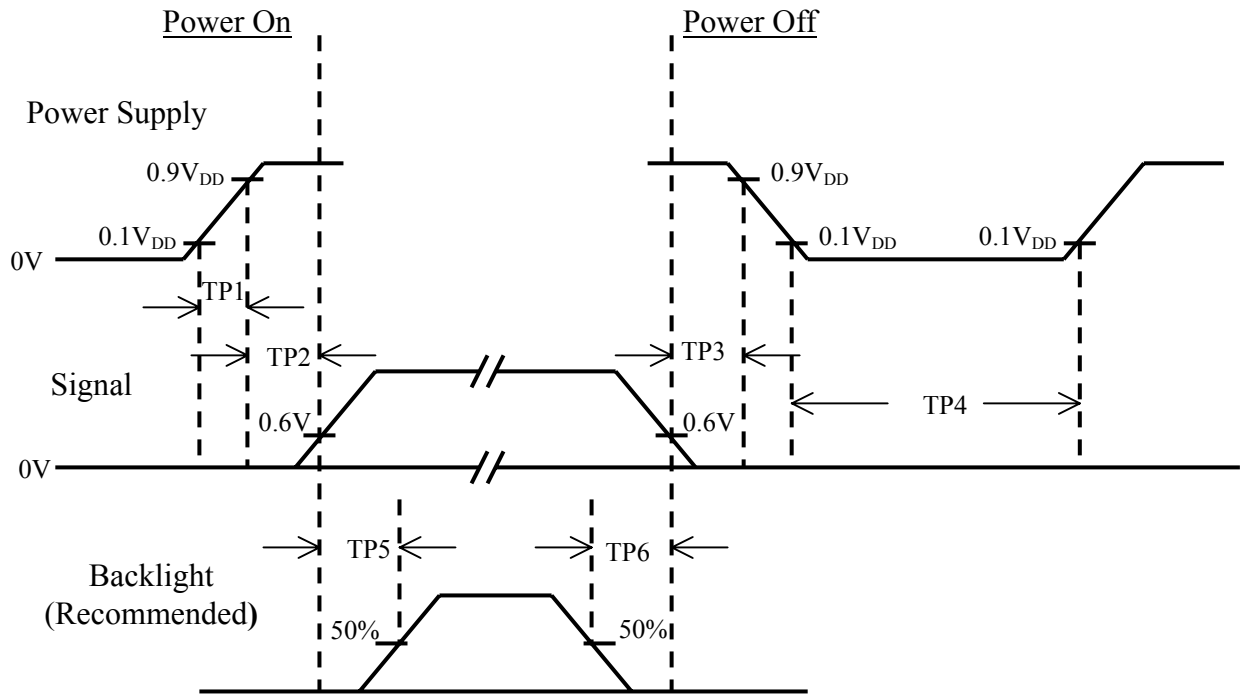
Document Title	HSD100IFW1-C Preliminary Specification	Page No.	18/26
Document No.	DC110-000	Revision	1.0

### Gate Driver Timing

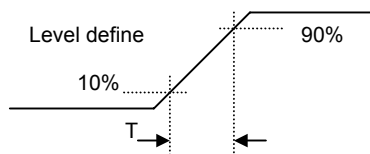


Document Title	HSD100IFW1-C Preliminary Specification	Page No.	19/26
Document No.	DC110-000	Revision	1.0

### 6.5 Power On / Off Sequence



Item	Min.	Typ.	Max.	Unit	Remark
TP1	0.5	--	10	msec	
TP2	0	--	50	msec	
TP3	0	--	50	msec	
TP4	500	--	--	msec	
TP5	200	--	--	msec	
TP6	200	--	--	msec	



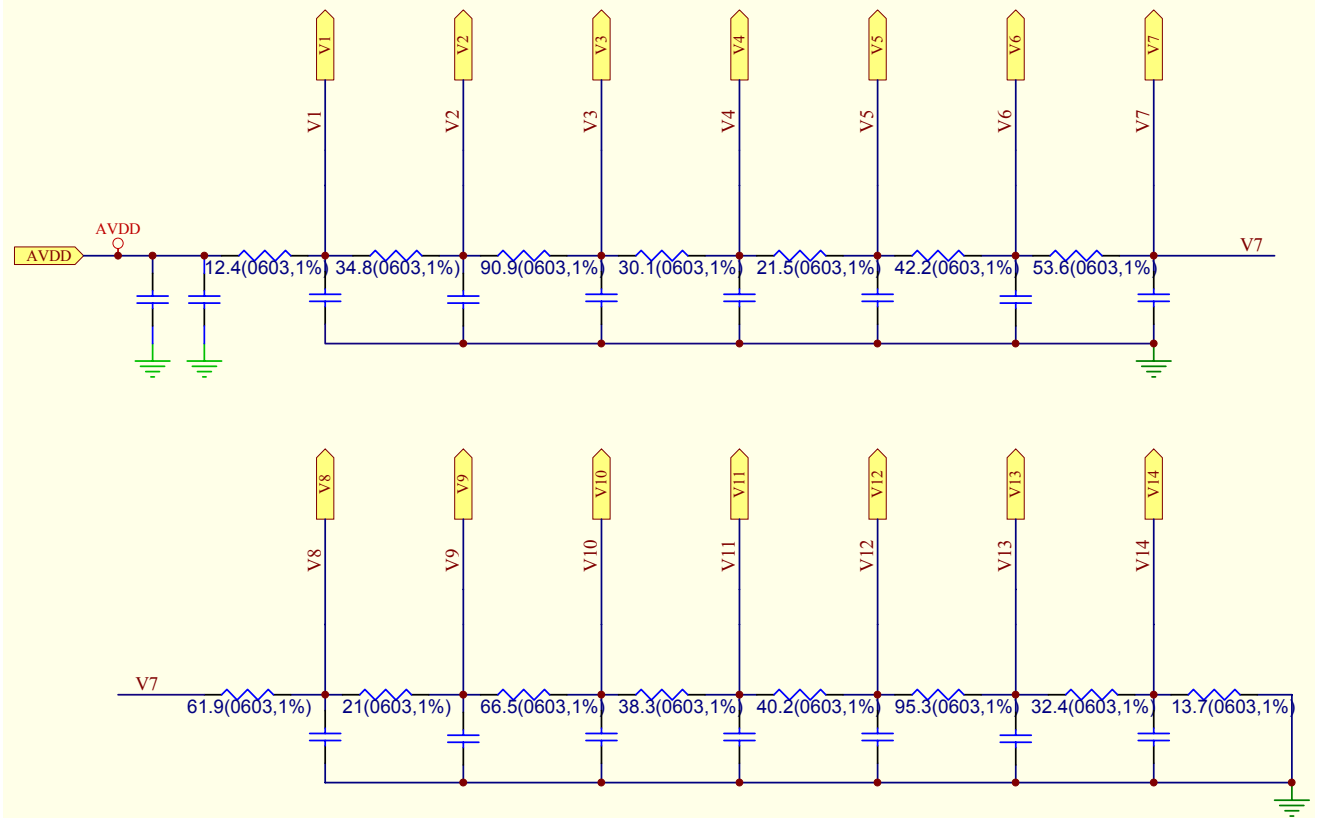
Power On Sequence: VCC-> AVDD -> VGL -> VGH -> Data -> B/L

Power Off Sequence: B/L-> Data -> VGH -> VGL -> AVDD -> VCC

Notes: Data include R0~R7, G0~G7, B0~B7, HSD, VSD, DCLK, SHLR, UPDN, DE MODE, RSTB, STBYB, SHLR, UPDN, DITH

Document Title	HSD100IFW1-C Preliminary Specification	Page No.	20/26
Document No.	DC110-000	Revision	1.0

### 6.6 Gamma circuit



\*Suggested Gamma Circuit.

Document Title	HSD100IFW1-C Preliminary Specification	Page No.	21/26
Document No.	DC110-000	Revision	1.0

### 7.0 Reliability test items

No.	Item	Conditions	Remark
1	High Temperature Storage	Ta=+60°C, 240hrs	
2	Low Temperature Storage	Ta=-20°C, 240hrs	
3	High Temperature Operation	Ta=+50°C, 500hrs	
4	Low Temperature Operation	Ta=0°C, 500hrs	
5	High Temperature and High Humidity (operation)	Ta=+50°C, 80%RH, 500hrs	
6	Thermal Cycling Test (non operation)	-20°C(30min) → +60°C(30min), 100 cycles	
7	Electrostatic Discharge	±200V,200pF(0Ω) 1 time/connector	
8	Vibration	1.Random: 1.04G, 10~500Hz, XYZ, 30min/each direction 2.Sine: 1.5G, 5~500Hz, XYZ 30min/each direction	
9	Shock	Half-Sine, 220G, 2ms, ±XYZ, 1time	
10	Vibration (with carton)	Random: 1.04G, 10~500Hz, XYZ, 45min/each direction	
11	Drop (with carton)	Height : 60 cm 1 corner, 3 edges, 6 surfaces	JIS Z0202

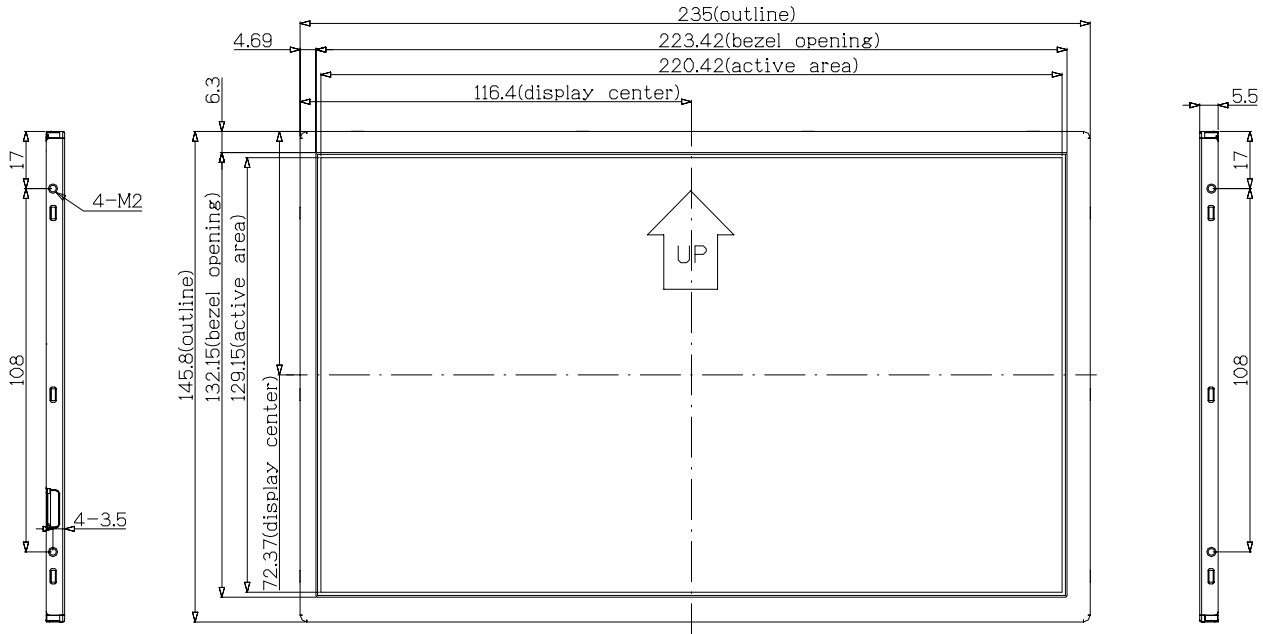
Note: There is no display function NG issue occurred, all the cosmetic specification is judged before the reliability stress.

Document Title	HSD100IFW1-C Preliminary Specification	Page No.	22/26
Document No.	DC110-000	Revision	1.0

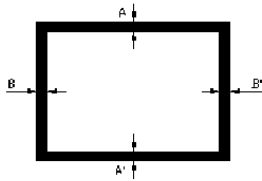
### 8.0 OUTLINE DIMENSION

#### 8.1 Outline Dimension

Unit : mm



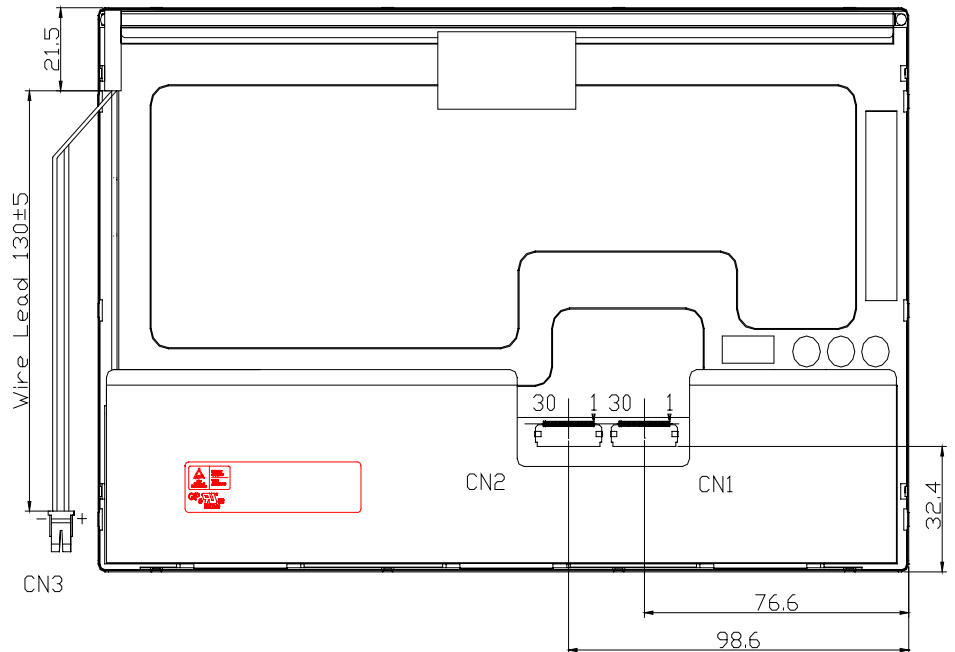
- NOTE:
1. GENERAL TOLERANCE :  $\pm 0.3\text{mm}$ .
  2. ALLOWED DEPTH OF USERHOLE SCREW INSERTION IS 1.5mm Max.
  3. USERHOLE SCREW OF TORQUE = 2.0kgf/cm Max.



BM Assembly Tolerance

|A-A'|  $\leq 1.0$  (mm)

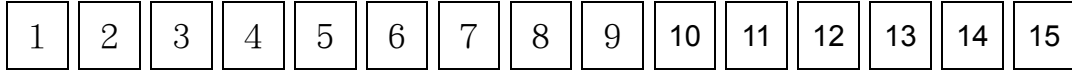
|B-B'|  $\leq 1.0$  (mm)



Document Title	HSD100IFW1-C Preliminary Specification	Page No.	23/26
Document No.	DC110-000	Revision	1.0

## 9.0 LOT MARK

### 9.1 Lot Mark



Code 1,2,3,4,5,6: HannStar internal flow control code.

Code 7: production location.

Code 8: production year.

Code 9: production month.

Code 10,11,12,13,14,15: serial number.

#### Note (1) Production Year

Year	1999	2000	2001	2002	2003	2004	2005	2006	2007	2008
Mark	9	0	1	2	3	4	5	6	7	8

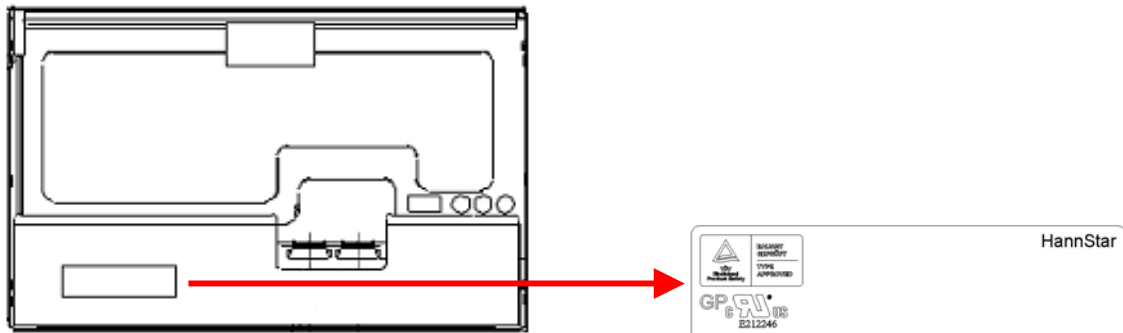
#### Note (2) Production Month

Month	Jan.	Feb.	Mar.	Apr.	May.	Jun.	Jul.	Aug.	Sep.	Oct	Nov.	Dec.
Mark	1	2	3	4	5	6	7	8	9	A	B	C

### 9.2 Location of Lot Mark

(1) The label is attached to the backside of the LCD module.

(2) This is subject to change without prior notice.



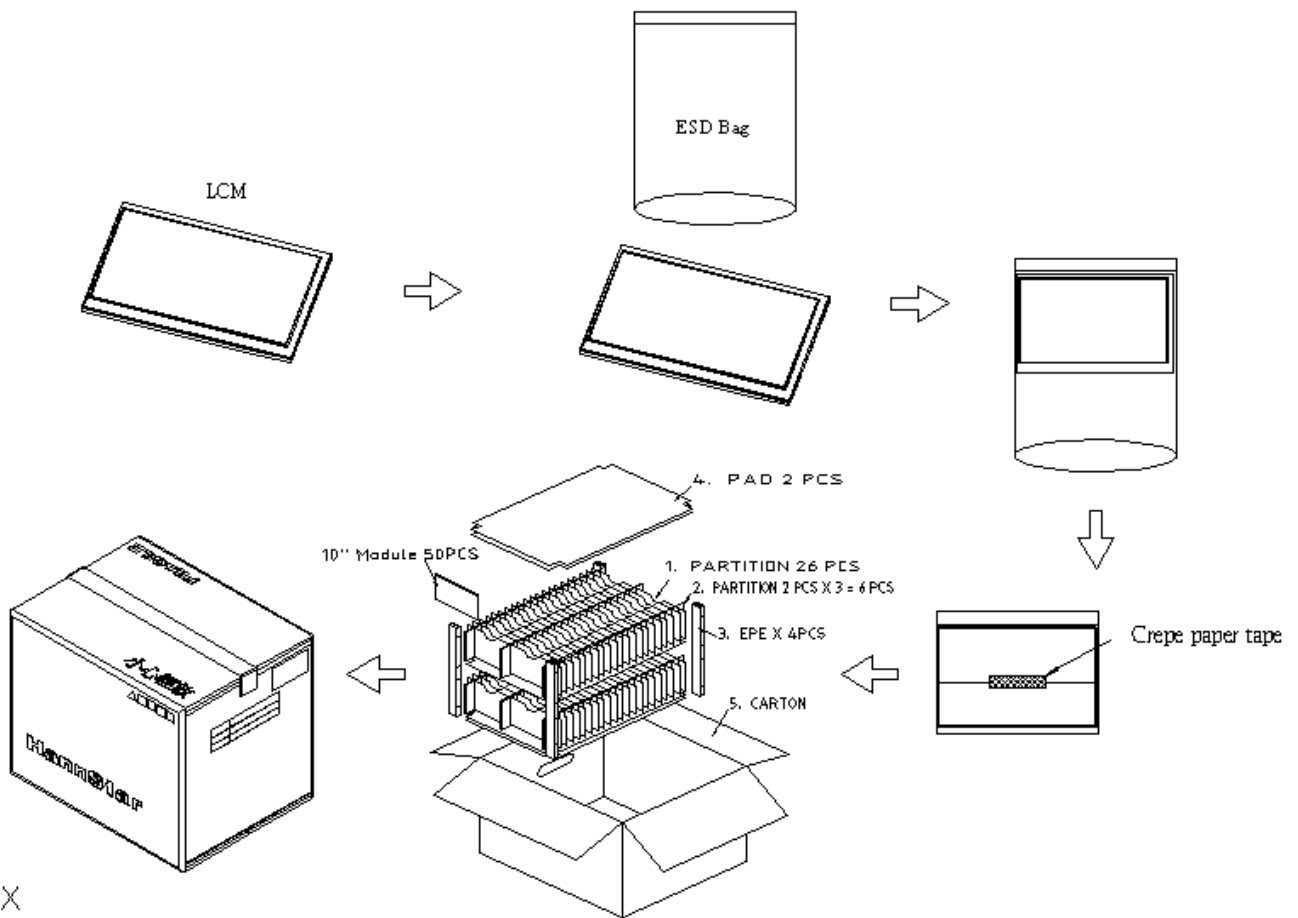
Document Title	HSD100IFW1-C Preliminary Specification	Page No.	24/26
Document No.	DC110-000	Revision	1.0

## 10.0 PACKAGE SPECIFICATION

### 10.1 Packing form

- (1) Package quantity in one carton: 30 pieces.
- (2) Carton size: 460±5 mm×361±5 mm×321±5 mm.

### 10.2 Packing assembly drawings





Document Title	HSD100IFW1-C Preliminary Specification	Page No.	25/26
Document No.	DC110-000	Revision	1.0

## 11.0 GENERAL PRECAUTION

### 11.1 Use Restriction

This product is not authorized for use in life supporting systems, aircraft navigation control systems, military systems and any other application where performance failure could be life-threatening or otherwise catastrophic.

### 11.2 Disassembling or Modification

Do not disassemble or modify the module. It may damage sensitive parts inside LCD module, and may cause scratches or dust on the display. HannStar does not warrant the module, if customers disassemble or modify the module.

### 11.3 Breakage of LCD Panel

11.3.1. If LCD panel is broken and liquid crystal spills out, do not ingest or inhale liquid crystal, and do not contact liquid crystal with skin.

11.3.2. If liquid crystal contacts mouth or eyes, rinse out with water immediately.

11.3.3. If liquid crystal contacts skin or cloths, wash it off immediately with alcohol and rinse thoroughly with water.

11.3.4. Handle carefully with chips of glass that may cause injury, when the glass is broken.

### 11.4 Electric Shock

11.4.1. Disconnect power supply before handling LCD module.

11.4.2. Do not pull or fold the LED cable.

11.4.3. Do not touch the parts inside LCD modules and the fluorescent LED's connector or cables in order to prevent electric shock.

### 11.5 Absolute Maximum Ratings and Power Protection Circuit

11.5.1. Do not exceed the absolute maximum rating values, such as the supply voltage variation, input voltage variation, variation in parts' parameters, environmental temperature, etc., otherwise LCD module may be damaged.

11.5.2. Please do not leave LCD module in the environment of high humidity and high temperature for a long time.

11.5.3. It's recommended to employ protection circuit for power supply.

### 11.6 Operation

11.6.1 Do not touch, push or rub the polarizer with anything harder than HB pencil lead.

11.6.2 Use fingerstalls of soft gloves in order to keep clean display quality, when persons handle the LCD module for incoming inspection or assembly.

11.6.3 When the surface is dusty, please wipe gently with absorbent cotton or other soft material.



Document Title	HSD100IFW1-C Preliminary Specification	Page No.	26/26
Document No.	DC110-000	Revision	1.0

11.6.4 Wipe off saliva or water drops as soon as possible. If saliva or water drops contact with polarizer for a long time, they may causes deformation or color fading.

11.6.5 When cleaning the adhesives, please use absorbent cotton wetted with a little petroleum benzine or other adequate solvent.

**11.7 Mechanism**

Please mount LCD module by using mounting holes arranged in four corners tightly.

**11.8 Static Electricity**

11.8.1 Protection film must remove very slowly from the surface of LCD module to prevent from electrostatic occurrence.

11.8.2 Because LCD module use CMOS-IC on circuit board and TFT-LCD panel, it is very weak to electrostatic discharge. Please be careful with electrostatic discharge. Persons who handle the module should be grounded through adequate methods.

**11.9 Strong Light Exposure**

The module shall not be exposed under strong light such as direct sunlight. Otherwise, display characteristics may be changed.

**11.10 Disposal**

When disposing LCD module, obey the local environmental regulations.