



Document Title	HSD150MX15- B Product Information	Page No.	1 / 29
Document No.		Revision	1.0

To :

Date : OCT.20.2003

Product Information

**Model : HSD150MX15
- B**

- Note:
1. Please contact HannStar Display Corp. before designing your product based on this module specification.
 2. The information contained herein is presented merely to indicate the characteristics and performance of our products. HannStar assumes no responsibility for any intellectual property claims or other problems that may result from application based on the module described herein.



Document Title	HSD150MX15- B Product Information	Page No.	2 / 29
Document No.		Revision	1.0

Record of Revisions

Rev.	Updated No.	Date	Description of change
01	—	OCT.20.2003	Specification for HSD150MX15-B was first issued.



Document Title	HSD150MX15- B Product Information	Page No.	3 / 29
Document No.		Revision	1.0

Contents

1.0	General descriptions	p.4
2.0	Absolute maximum ratings	p.5
3.0	Optical characteristics	p.7
4.0	Block diagram	p.12
5.0	I/O Connection Pin assignment	p.15
6.0	Electrical Characteristics	p.16
7.0	Outline dimension	p.24
8.0	Lot Mark	p.26
9.0	Package Specification	p.27
10.0	General precaution	p.29

Document Title	HSD150MX15- B Product Information	Page No.	4 / 29
Document No.		Revision	1.0

1.0 GENERAL DESCRIPTIONS

1.1 Introduction

HannStar Display model **HSD150MX15-B** is a color active matrix thin film transistor (TFT) liquid crystal display (LCD) that uses amorphous silicon TFT as a switching device. This model is composed of a TFT LCD panel, the voltage reference, common voltage, DC-DC converter, column, and row driver circuit. This TFT LCD has a 15-inch diagonally measured active display area with XGA resolution (768 vertical by 1024 horizontal pixel array).

1.2 Features

- 15" XGA TFT LCD panel
- 2 CCFLs Backlight system
- Supported XGA (V: 768 lines, H: 1024 pixels) resolution
- Supported to 75Hz refresh rate
- With LCD Timing Controller

1.3 General information

Item	Specification	Unit
Outline dimension	321.0×249.0×10.3 (typ.)	Mm
Display area	304.1(H) x 228.1(V) (15.0" diagonal)	Mm
Number of Pixel	1024(H) x 768(V)	Pixels
Pixel pitch	0.297(H) x 0.297(V)	Mm
Pixel arrangement	RGB Vertical stripe	
Display color	16 million (6 bit + FRC)	
Display mode	Normally white	
Surface treatment	Antiglare, Hard-Coating (3H)	
Weight	900(typ.)	G
Back-light	2-CCFLs, Top & bottom edge side	
Input signal	Source and Gate Driver control signals	
Power consumption (with B/L)	12 W (typ.), with back light	W
Optimum viewing direction	6 o'clock	

1.4 Applications

- Desktop monitors
- Display terminals for AV applications
- Monitors for industrial applications

Document Title	HSD150MX15- B Product Information	Page No.	5 / 29
Document No.		Revision	1.0

1.5 Mechanical Information

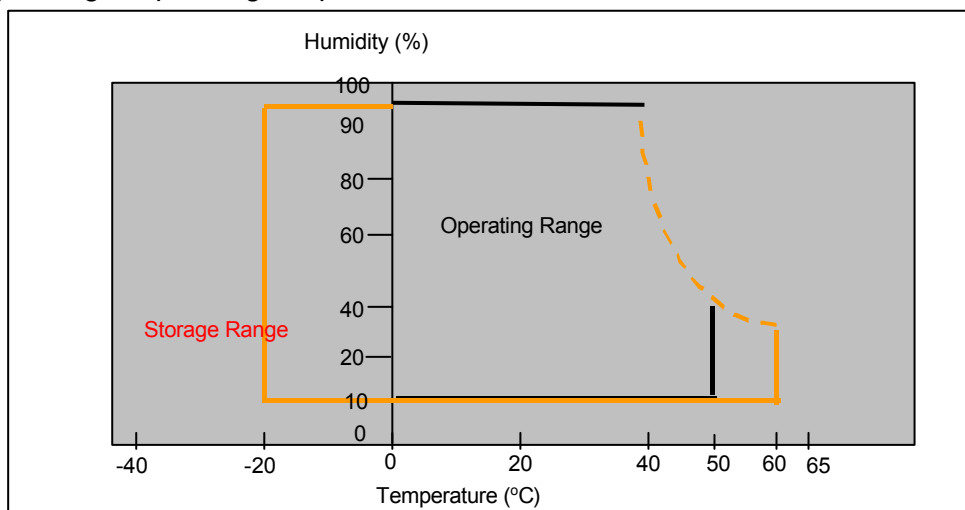
Item		Min.	Typ.	Max.	Unit
Module Size	Horizontal(H)	320.5	321.0	321.5	mm
	Vertical(V)	248.5	249.0	249.5	mm
	Depth(D)	--	10.3	10.6	mm
Weight (without inverter)		--	900	950	g
Torque of customer screw hole				3.0	Kgf*Cm

2.0 ABSOLUTE MAXIMUM RATINGS

2.1 Absolute Rating of Environment

Item	Symbol	Min.	Max.	Unit	Note
Storage temperature	T _{STG}	-20	60	°C	
Operating temperature	T _{OPR}	0	50	°C	(1)
Vibration(non-operating)	V _{NOP}	--	1.5	G	(2)
Shock(non-operating)	S _{NOP}	--	70	G	(3)
Storage humidity	H _{STG}	10	90	%RH	(3)
Operating humidity	H _{OP}	10	80	%RH	(4)
Low pressure(operating)	P _{LOP}	697	--	HPa	(5)
Low pressure(non-operating)	P _{LNOP}	116	--	HPa	(6)

Note (1) Storage /Operating temperature



Document Title	HSD150MX15- B Product Information	Page No.	6 / 29
Document No.		Revision	1.0

- (2) **5-500-5**Hz sine wave, X, Y, Z each directions, 30 min/cycle.
- (3) 11ms, $\pm X, \pm Y, \pm Z$ direction, one time each. For this shock test, It is necessary to fill the silicon rubber between the shock jig as buffer.
- (4) Max wet bulb temp. =39°C
- (5) **2** hrs. (10000 feet)
- (6) 24hrs. (50000 feet)

2.2 Electrical Absolute Rating:

2.2.1 TFT LCD Module:

Item	Symbol	Min.	Max.	Unit.	Note
Power supply Voltage	V_{DD}	+3.0	+3.6	V (DC)	(1)(2)
Logic input voltage	V_{SIG}	-0.3	$V_{DD} +0.3$	V	(1)(2)

2.2.2 Back Light Unit:

Item	Symbol	Min.	Max.	Unit	Note
Lamp voltage	V_L	0	2000	V(rms)	(1)(2)
Lamp current	I_L	—	9.0	mA	(1)(2)
Lamp frequency	f_l	0	80	KHz	(1)(2)

Note: (1) Permanent damage may occur to the LCD module if beyond this specification.

Functional operation should be restricted to the conditions described under Normal Operating Conditions.

(2) Within $T_a=25\pm 2^\circ C$

Document Title	HSD150MX15- B Product Information	Page No.	7 / 29
Document No.		Revision	1.0

3.0 OPTICAL CHARACTERISTICS

3.1 Optical specification

Item	Symbol	Condition	Min.	Typ.	Max.	Unit	Note	
Contrast	CR	$\theta = 0^\circ$ $\phi = 0^\circ$ Normal viewing angle	400	500	--		(1)(2)	
Response time	Rising		TR +TF	--	25	35	msec	(1)(3)
	Falling							
White luminance (center of screen)	Y_L		200	250		cd/m ²	(1)(4)(5) (IL=8.0mA)	
Color chromaticity (CIE1931)	Red	Rx	0.604	0.634	0.664		(1)(4)	
		Ry	0.309	0.339	0.369			
	Green	Gx	0.255	0.285	0.315			
		Gy	0.557	0.587	0.617			
	Blue	Bx	0.114	0.144	0.174			
		By	0.045	0.075	0.105			
	White	Wx	0.280	0.310	0.340			
		Wy	0.300	0.330	0.360			
Viewing angle	Hor.	θ_L	55	65	--			
		θ_R	55	65	--			
	Ver.	θ_H	35	45	--			
		θ_L	45	55	--			
Viewing angle	Hor.	θ_L	70	80	--			
		θ_R	70	80	--			
	Ver.	θ_H	45	50	--			
		θ_L	60	65	--			
Brightness uniformity	B_{UNI}	$\theta = 0^\circ$	73	80	--	%	(6)	
Crosstalk	CT(n)	$\phi = 0^\circ$	--	--	1.3	%	(7)	

3.2 Measuring Condition

Measuring surrounding: dark room

Lamp current I_{BL} : (8.0)±0.1mA, lamp freq. F_L =55 KHz, Inverter: HIU-766 (11pf)

V_{DD1} =3.3V, f_V =60Hz, f_{DCLK} =65MHz

Surrounding temperature: 25±2°C

30min. Warm-up time.

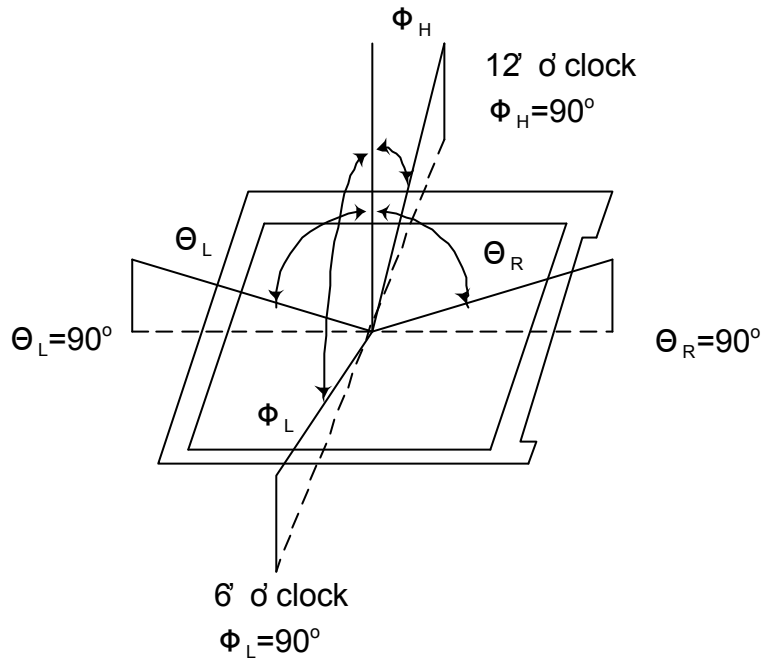
3.3 Measuring Equipment

LCD-7000 of Otsuka Electric Corp., which utilized MCPD-7000 for Chromaticity and BM-5A for other optical characteristics.

Measuring spot size: 10~12mm

Document Title	HSD150MX15- B Product Information	Page No.	8 / 29
Document No.		Revision	1.0

Note (1) Definition of Viewing Angle:

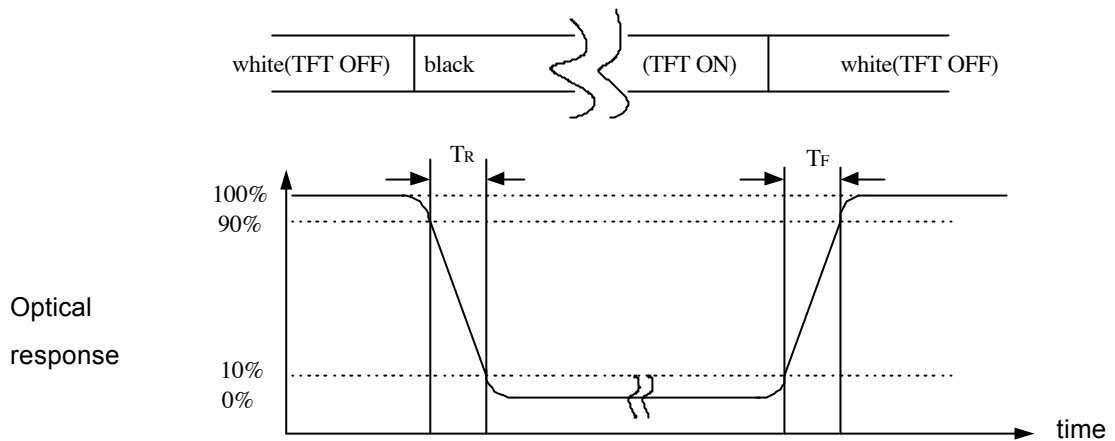


Note (2) Definition of Contrast Ratio (CR) :
measured at the center point of panel

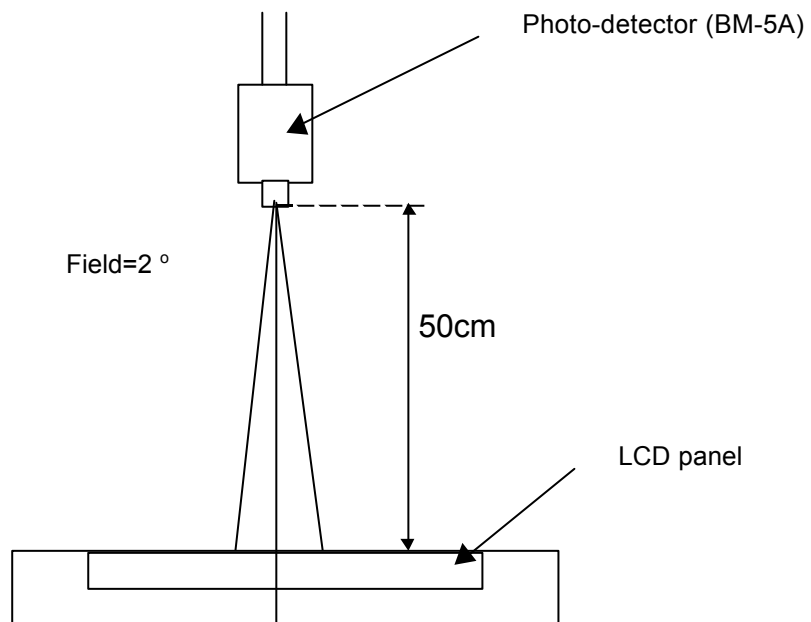
$$CR = \frac{\text{Luminance with all pixels white (L}_{255}\text{)}}{\text{Luminance with all pixels black (L}_0\text{)}}$$

Document Title	HSD150MX15- B Product Information	Page No.	9 / 29
Document No.		Revision	1.0

Note (3) Definition of Response Time: Sum of T_R and T_F



Note (4) Optical characteristic measurement setup



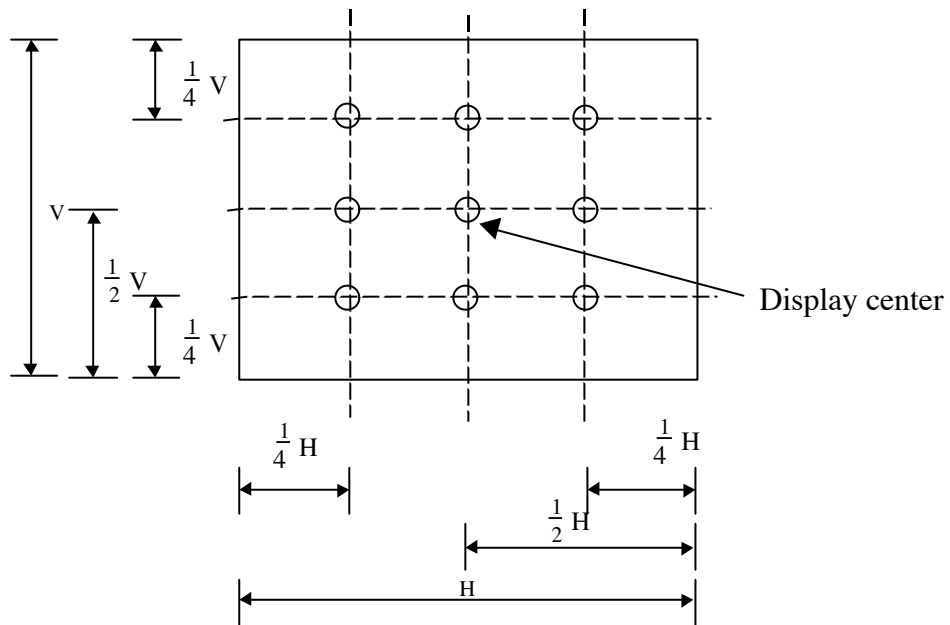
Document Title	HSD150MX15- B Product Information	Page No.	10 / 29
Document No.		Revision	1.0

Note (5) Definition of Average Luminance of White (5 Point)

$$\text{Average Luminance} = \frac{Y1+Y2+Y3+Y4+Y5}{5}$$

Note (6) Definition of brightness uniformity

$$\text{Luminance uniformity} = \frac{(\text{Min Luminance of 9 points})}{(\text{Max Luminance of 9 points})} \times 100\%$$



Document Title	HSD150MX15- B Product Information	Page No.	11 / 29
Document No.		Revision	1.0

Note (7) Definition of crosstalk CT (1) ~ CT (4)

$$CT(n) = \frac{|L(n) - LB(n)|}{L(n)} \times 100\% , n = 1 \sim 4$$

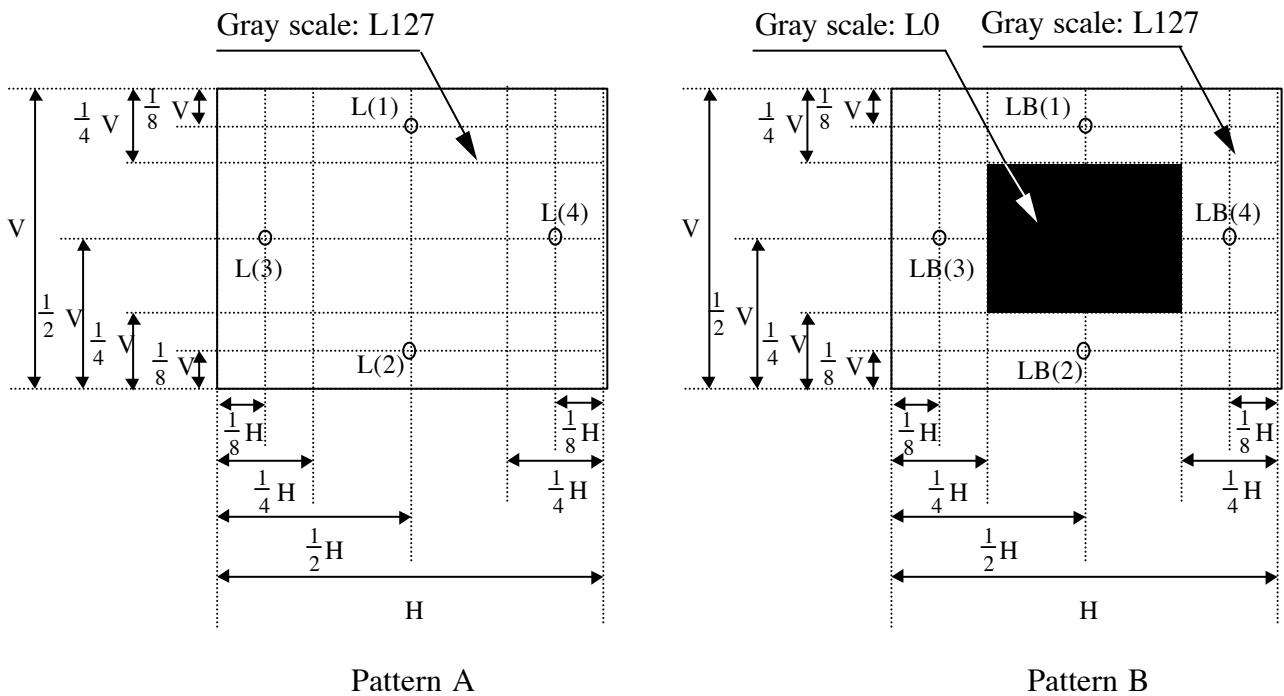
Where L(n) = Luminance of point "n" at pattern A (cd/m²) , n=1~4

LB(n) = Luminance of point "n" at pattern B (cd/m²) , n=1~4

The location measured will be exactly the same in both patterns.

L0: Luminance with all pixels black

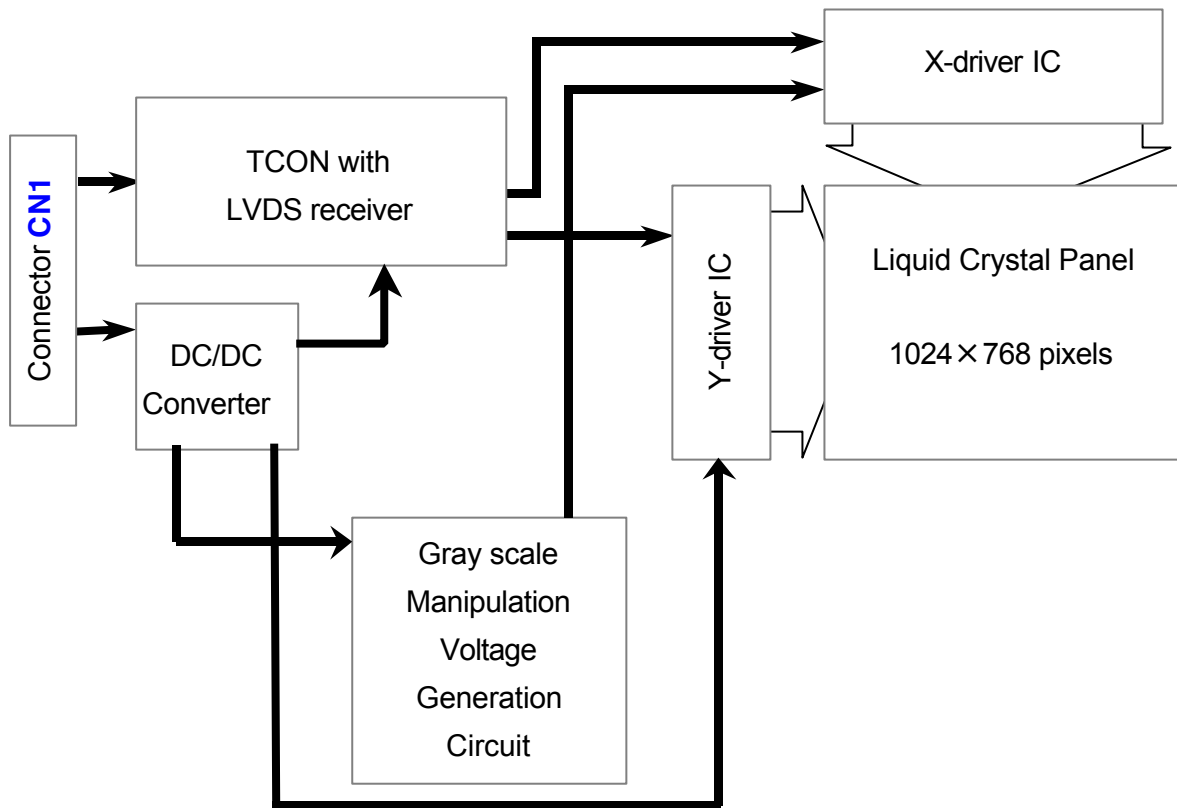
L255: Luminance with all pixels white



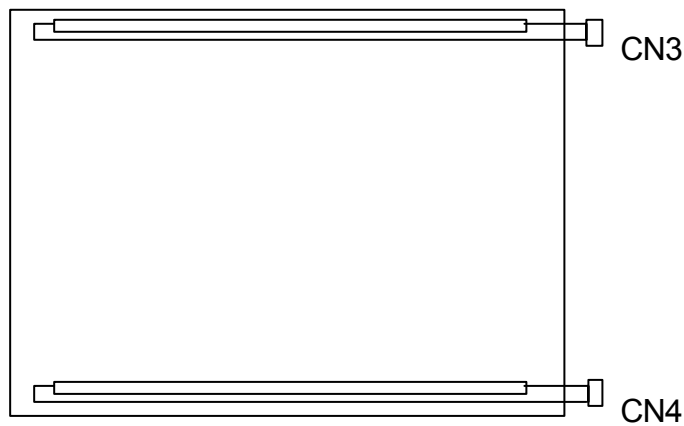
Document Title	HSD150MX15- B Product Information	Page No.	12 / 29
Document No.		Revision	1.0

4.0 BLOCK DIAGRAM

4.1 LCD Module Block Diagram:

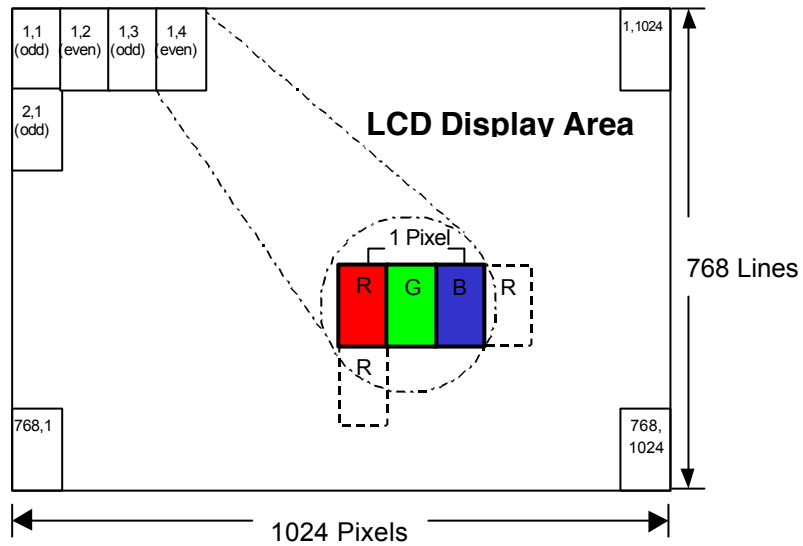


4.2 Back Light Unit



Document Title	HSD150MX15- B Product Information	Page No.	13 / 29
Document No.		Revision	1.0

4.3 Pixel Format



Document Title	HSD150MX15- B Product Information	Page No.	14 / 29
Document No.		Revision	1.0

4.4 Relationship between Displayed Color and Input Data

	Display	MSB						LSB						Gray scale level							
		R5	R4	R3	R2	R1	R0	G5	G4	G3	G2	G1	G0		B5	B4	B3	B2	B1	B0	
Basic color	Black	L	L	L	L	L	L	L	L	L	L	L	L	L	L	L	L	L	L	-	
	Blue	L	L	L	L	L	L	L	L	L	L	L	L	H	H	H	H	H	H	-	
	Green	L	L	L	L	L	L	H	H	H	H	H	H	L	L	L	L	L	L	-	
	Light Blue	L	L	L	L	L	L	H	H	H	H	H	H	H	H	H	H	H	H	-	
	Red	H	H	H	H	H	H	L	L	L	L	L	L	L	L	L	L	L	L	-	
	Purple	H	H	H	H	H	H	L	L	L	L	L	L	H	H	H	H	H	H	-	
	Yellow	H	H	H	H	H	H	H	H	H	H	H	H	L	L	L	L	L	L	-	
White	H	H	H	H	H	H	H	H	H	H	H	H	H	H	H	H	H	H	-		
Gray scale of Red	Black	L	L	L	L	L	L	L	L	L	L	L	L	L	L	L	L	L	L	L0	
	Dark	L	L	L	L	L	H	L	L	L	L	L	L	L	L	L	L	L	L	L1	
		L	L	L	L	H	L	L	L	L	L	L	L	L	L	L	L	L	L	L2	
	Light	:						:						:						L3 ..L63	
		:						:						:						L3 ..L63	
			H	H	H	H	L	H	L	L	L	L	L	L	L	L	L	L	L	L	L61
			H	H	H	H	H	L	L	L	L	L	L	L	L	L	L	L	L	L	L62
Red	H	H	H	H	H	H	L	L	L	L	L	L	L	L	L	L	L	L	Red L63		
Gray scale of Green	Black	L	L	L	L	L	L	L	L	L	L	L	L	L	L	L	L	L	L	L0	
	Dark	L	L	L	L	L	L	L	L	L	L	L	H	L	L	L	L	L	L	L1	
		L	L	L	L	L	L	L	L	L	L	H	L	L	L	L	L	L	L	L2	
	Light	:						:						:						L3 ..L60	
		:						:						:						L3 ..L60	
			L	L	L	L	L	L	H	H	H	H	L	H	L	L	L	L	L	L	L61
			L	L	L	L	L	L	H	H	H	H	H	L	L	L	L	L	L	L	L62
Green	L	L	L	L	L	L	H	H	H	H	H	H	L	L	L	L	L	L	Green L63		
Gray scale of Blue	Black	L	L	L	L	L	L	L	L	L	L	L	L	L	L	L	L	L	L	L0	
	Dark	L	L	L	L	L	L	L	L	L	L	L	L	L	L	L	L	H	L	L1	
		L	L	L	L	L	L	L	L	L	L	L	L	L	L	L	L	H	L	L2	
	Light	:						:						:						L3 ..L60	
		:						:						:						L3 ..L60	
			L	L	L	L	L	L	L	L	L	L	L	L	H	H	H	H	L	H	L61
			L	L	L	L	L	L	L	L	L	L	L	L	H	H	H	H	H	L	L62
Blue	L	L	L	L	L	L	L	L	L	L	L	L	L	H	H	H	H	H	Blue L63		
Gray scale of White and Black	Black	L	L	L	L	L	L	L	L	L	L	L	L	L	L	L	L	L	L	L0	
	Dark	L	L	L	L	L	H	L	L	L	L	L	H	L	L	L	L	L	H	L1	
		L	L	L	L	H	L	L	L	L	L	H	L	L	L	L	L	H	L	L2	
	Light	:						:						:						L3 ..L60	
		:						:						:						L3 ..L60	
			H	H	H	H	L	H	H	H	H	H	L	H	H	H	H	H	L	H	L61
			H	H	H	H	H	L	H	H	H	H	H	L	H	H	H	H	H	L	L62
White	H	H	H	H	H	H	H	H	H	H	H	H	H	H	H	H	H	H	White L63		

Document Title	HSD150MX15- B Product Information	Page No.	15 / 29
Document No.		Revision	1.0

5.0 I/O CONNECTION PIN ASSIGNMENT

5.1 Interface Connector (20-pins x 1) (Hirose: DF14H-20P-1.25H)

I/F Connector (CH11)		
Pin No.	Symbol	Description
1	VDD	Power Supply, 3.3v (typical)
2	VDD	Power Supply, 3.3v (typical)
3	VSS	Ground
4	VSS	Ground
5	Rin0-	-LVDS differential data input(R0-R5, G0)
6	Rin0+	+LVDS differential data input(R0-R5, G0)
7	VSS	Ground
8	Rin1-	-LVDS differential data input(G1-G5, B0-B1)
9	Rin1+	+LVDS differential data input(G1-G5, B0-B1)
10	VSS	Ground
11	Rin2-	-LVDS differential data input(B2-B5, HS, VS, DE)
12	Rin2+	+LVDS differential data input(B2-B5, HS, VS, DE)
13	VSS	Ground
14	ClkIN-	-LVDS differential clock input
15	ClkIN+	+LVDS differential clock input
16	VSS	Ground
17	Rin3-	-LVDS differential data input(R6-R7, G6-G7, B6-B7)
18	Rin3+	+LVDS differential data input(R6-R7, G6-G7, B6-B7)
19	VSS	Ground
20	VSS	Ground

Document Title	HSD150MX15- B Product Information	Page No.	16 / 29
Document No.		Revision	1.0

5.1 Back Light Unit (CCFL) Connectors:

CN3, 4: CCFL Power Source (BHR-03VS-1/Japan Solderless Terminal MFG Co., LTD)
 Mating connector: SM02 (8.0) B-BHS-1/ Japan Solderless Terminal MFG Co., LTD

Terminal No.	Symbol	Function
1	VL	CCFL power supply (high voltage)
2	NC	No connection
3	GL	CCFL power supply (low voltage)

Note: Please connects NC pin to nothing. Don't connect it to ground nor to other signal Input. (NC pin should be open.)

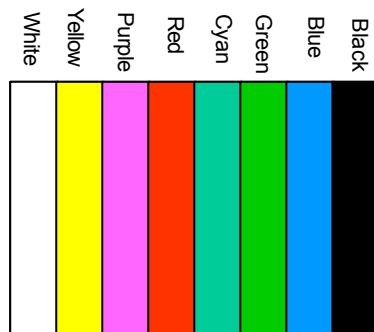
6.0 ELECTRICAL CHARACTERISTICS

6.1 TFT LCD Module:

Item	Symbol	Min.	Typ.	Max.	Unit	Note	
Voltage of power supply	V_{DD}	3.0	3.3	3.6	V		
Current of power supply	V-Color	I_{DD1}	260	360	460	mA	(1)(3)
	Mosaic	I_{DD2}	290	390	490	mA	(1)(3)
Vsync frequency	f_V	-	60	75	Hz	(2)(3)	
Hsync frequency	f_H	-	48.36	75	KHz		
Frequency	f_{DCLK}	-	65.00	80	MHz		
Input rush current	I_{RUSH}	---	---	1.5	A	(3)(4)	

Note (1)

1). V-Color :



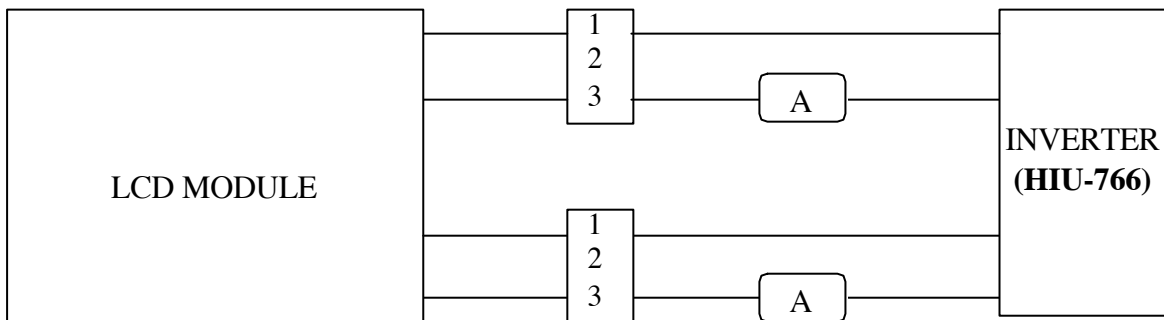
Document Title	HSD150MX15- B Product Information	Page No.	18 / 29
Document No.		Revision	1.0

6.2 Back-Light Unit

The backlight system is an edge-lighting type with 2 CCFL (Cold Cathode Fluorescent Lamp). The characteristics of the lamp are shown in the following tables.

Item	Symbol	Min.	Typ.	Max.	Unit	Note
Lamp current	IL	3.0	8.0	9.0	mA(rms)	(1)
Lamp voltage	VL	576	640	700	V(rms)	$I_L=8.0mA$
Frequency	fL	50	55	80	KHz	(2)
Operating lamp life time	Hr	30,000	--	--	Hour	(3)
Startup voltage	Vs	1040	--	--	V(rms)	at 25°C
		1350				at 0°C

Note (1) Lamp current is measured with current meter for high frequency as shown below. Specified valued are for a lamp.



(2) Lamp frequency may produce interference with horizontal synchronous frequency and this may cause line flow on the display. Therefore lamp frequency shall be detached from the horizontal synchronous frequency and its harmonics as far as possible in order to avoid interference.

(3) Life time (Hr) can be defined as the time in which it continues to operate under the condition: Temp. =25±3°C, $I_L=8.0mA(rms.)$ and $f_L=55 KHz$ until one of the following event occurs:

1. When the brightness becomes 50%.
2. When the startup voltage (Vs) at 0°C becomes higher than the maximal value of Vs specified above.

Document Title	HSD150MX15- B Product Information	Page No.	19 / 29
Document No.		Revision	1.0

6.3 AC Electrical Characteristics:

6.3.1 Timing Parameters (Hsync, Vsync and DE mode)

Item	Symbol	Min.	Typ.	Max.	Unit	Remarks	
Vertical display term	Period	t1	778×t4 —	806×t4 16.67	860×t4 —	— ms	¹⁾⁵⁾
	Active	t2	—	768×t4 15.88	—	— ms	¹⁾
	Display start	t3	8×t4 —	—	—	— ms	¹⁾
Horizontal display term	Period	t4	1180×t7 —	1344×t7 20.68	1400×t7 —	— μs	¹⁾⁵⁾
	Active	t5	—	1024×t7 15.76	—	— μs	¹⁾
	Display Start	t6	32×t7 —	—	—	— μs	¹⁾
Clock	Period	t7	12.50	15.38	—	ns	⁵⁾
	Low time	t8	5	—	—	ns	
	High time	t9	5	—	—	ns	
Data	Setup time	t10	2	—	—	ns	
	Hold time	t11	5	—	—	ns	

Note 1) Refer to TIMING CHART at page19, 20 and 21.

Note 2) In case of using the long frame period, the deterioration of display quality, noise etc. may be occurred.

Note 3) When ENAB is fixed to “L” level after NCLK input, the panel is displayed as black. However, a flicker may be occurred on the display. When ENAB is fixed to “H” level after NCLK input, the panel will be damaged.

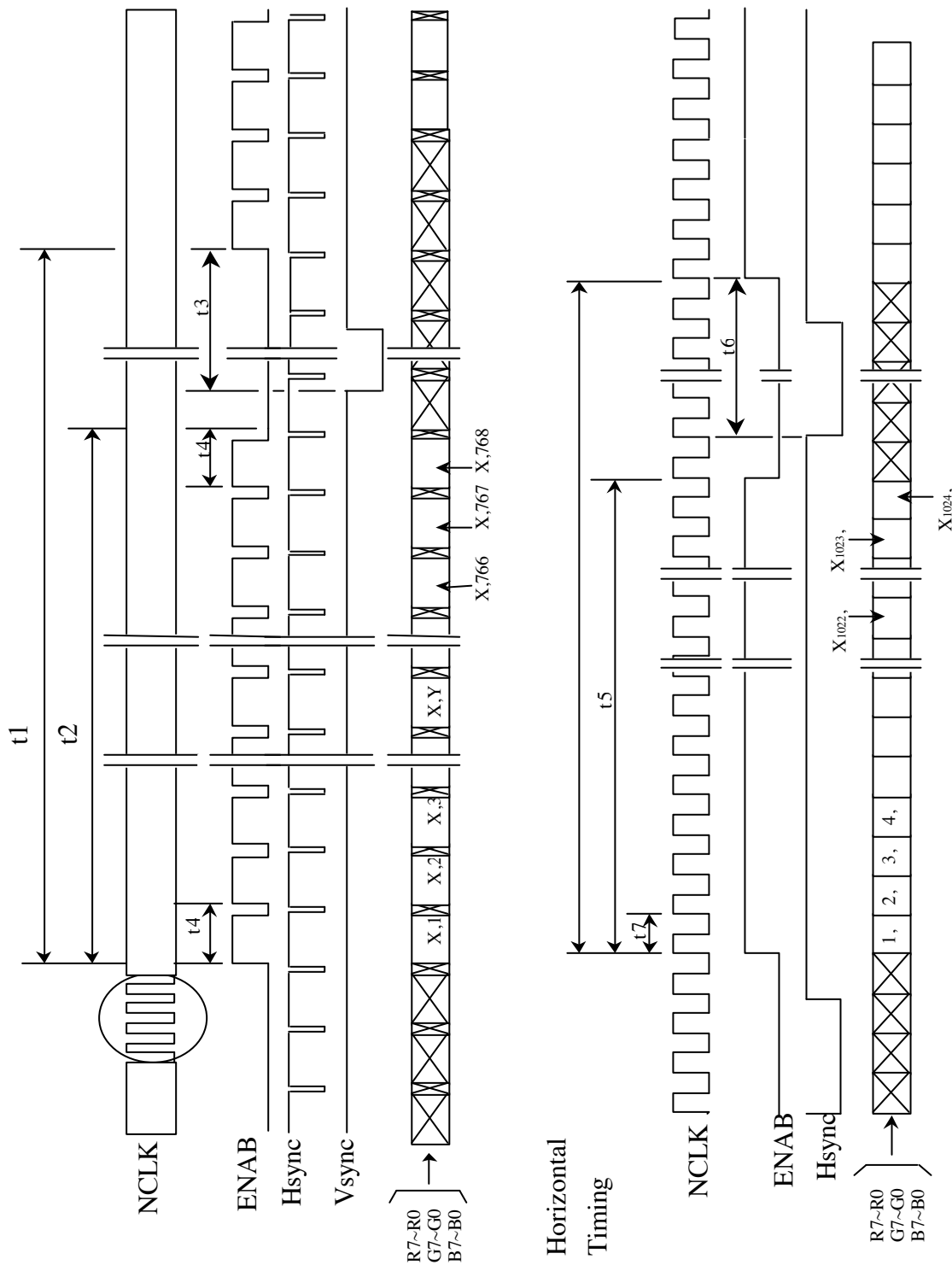
Note 4) Do not fix NCLK to “H” or “L” level while the V_{DD} (+3.3V) is supplied. If NCLK is fixed to “H” level or “L” level for certain period while the V_{DD} (+3.3V) is supplied, the panel may be damaged.

Note 5) Do not change t1 and t4 values in the operation. When t1 or t4 is changed, the panel is displayed as black.

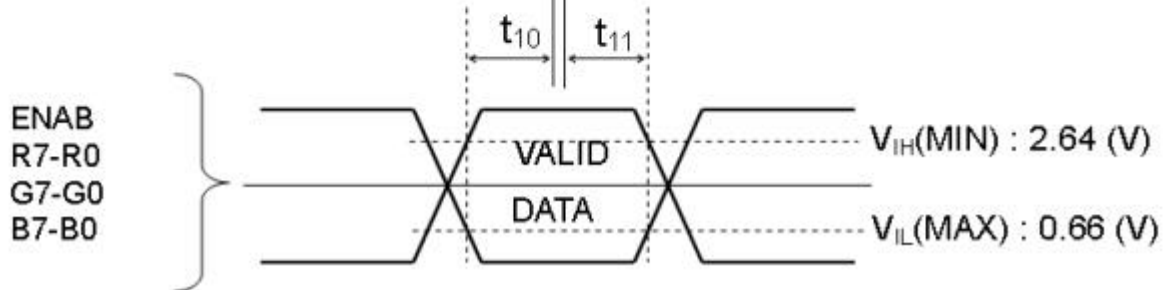
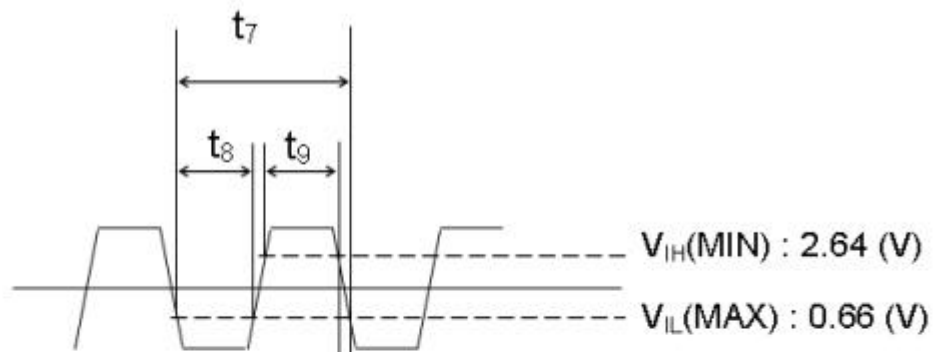
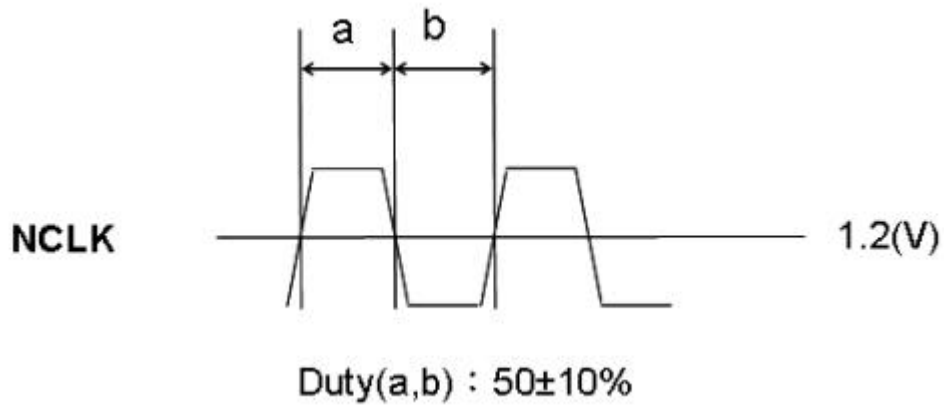
Note 6) Please adjust LCD operating signal timing and FL driving frequency, to optimize the display quality. There is a possibility that flicker is observed by the interference of LCD operating signal timing and FL driving condition (especially driving frequency).

Document Title	HSD150MX15- B Product Information	Page No.	20 / 29
Document No.		Revision	1.0

**6.3.2 Timing Diagram of Interface Signal (Hsync, Vsync and DE mode)
24 Bit two pixel/clock input mode**

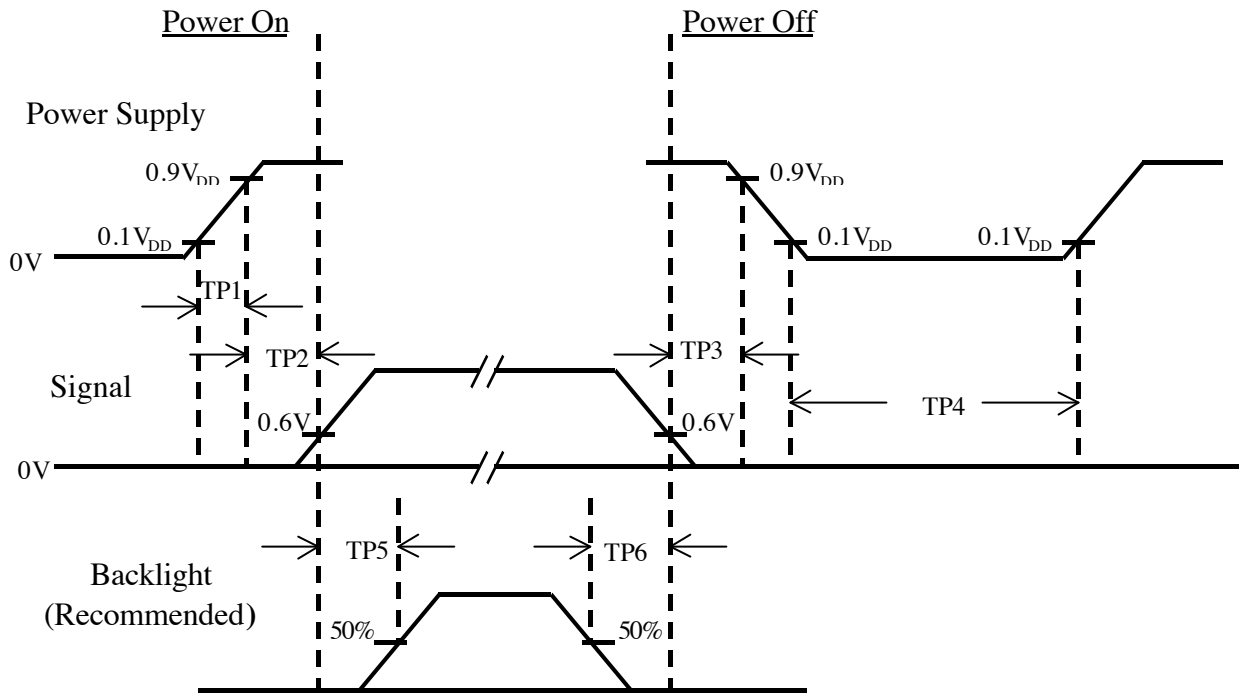


Document Title	HSD150MX15- B Product Information	Page No.	21 / 29
Document No.		Revision	1.0



Document Title	HSD150MX15- B Product Information	Page No.	22 / 29
Document No.		Revision	1.0

6.4 Power On / Off Sequence :

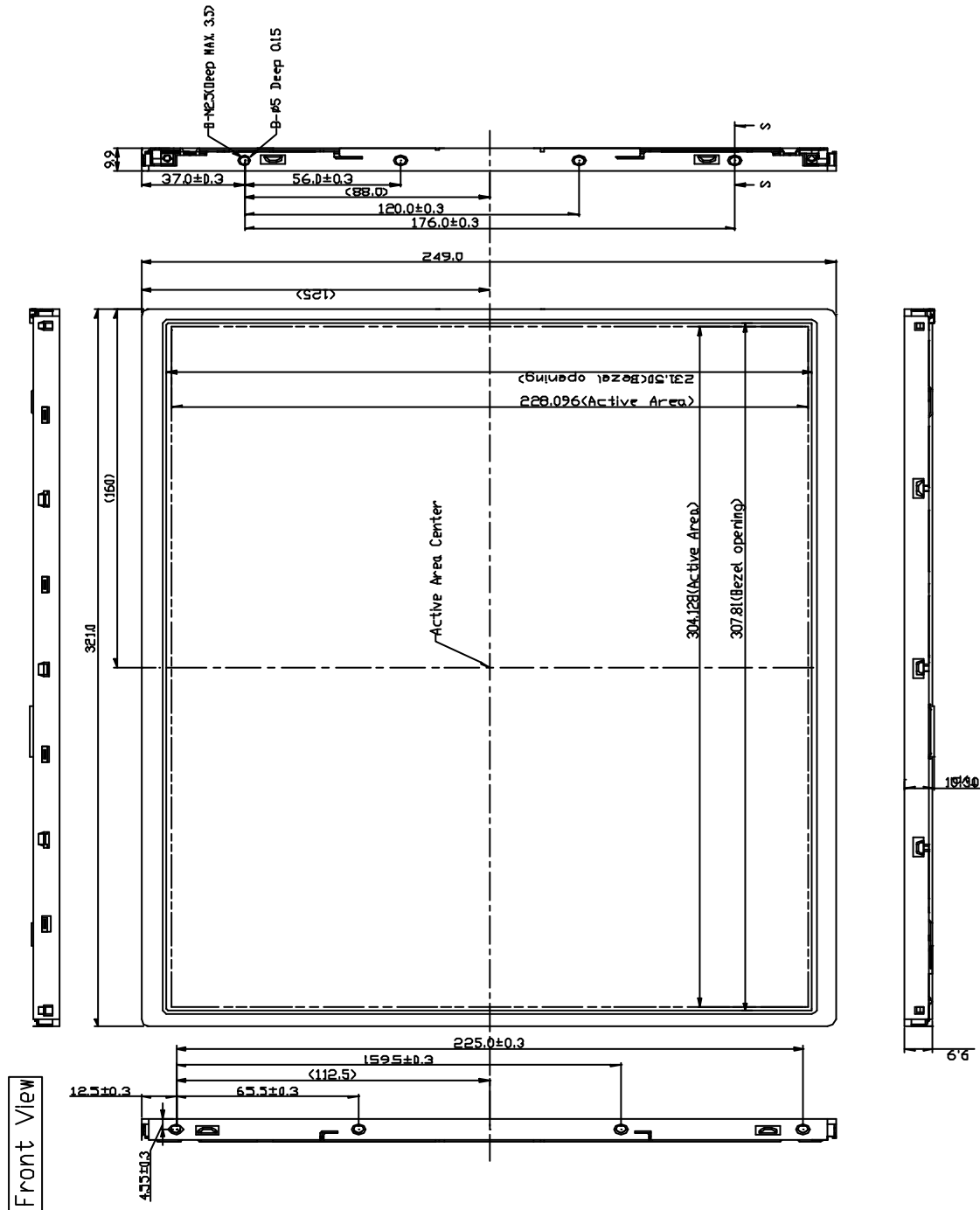


Item	Min.	Typ.	Max.	Unit	Remark
TP1	0.47	—	10	msec	
TP2	0	—	50	msec	
TP3	0	—	50	msec	
TP4	1	—	—	sec	
TP5	200	—	—	msec	
TP6	200	—	—	msec	

- Note :
- (1) The supply voltage of the external system for the module input should be the same as the definition of V_{DD}.
 - (2) Apply the lamp voltage within the LCD operation range. When the back-light turns on before the LCD operation or the LCD turns off before the back-light turns off, the display may momentarily become white.
 - (3) In case of V_{DD} = off level, please keep the level of input signal on the low or keep a high impedance.
 - (4) T4 should be measured after the module has been fully discharged between power off and on period.
 - (5) Interface signal shall not be kept at high impedance when the power is on.

Document Title	HSD150MX15- B Product Information	Page No.	23 / 29
Document No.		Revision	1.0

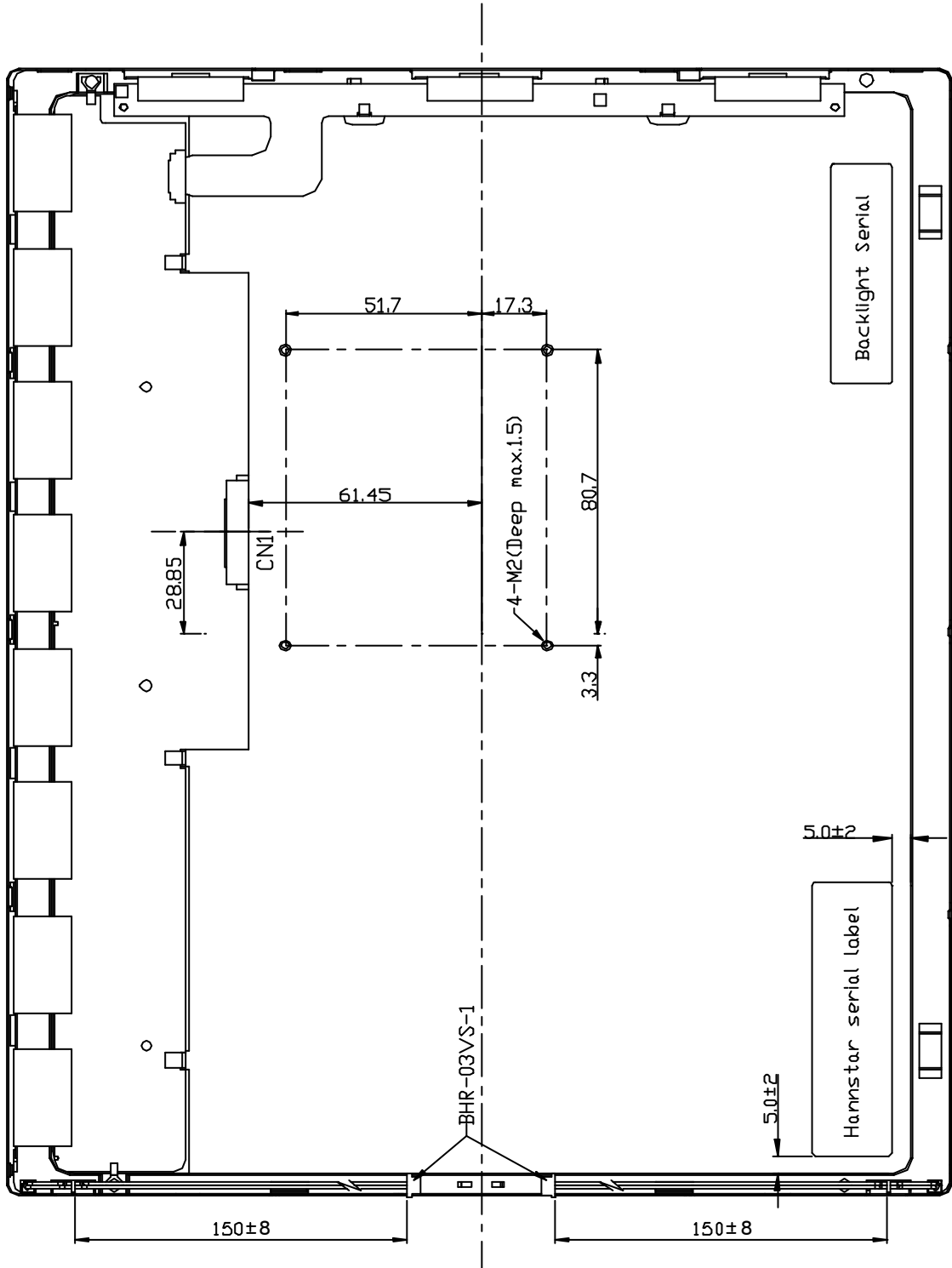
7.0 OUTLINE DIMENSION



Document Title	HSD150MX15- B Product Information	Page No.	24 / 29
Document No.		Revision	1.0

8.2 Back View:

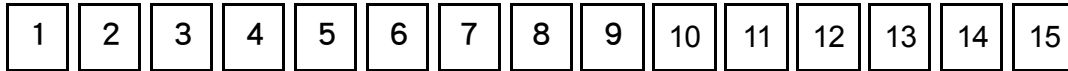
Date: 2003.0.08



Document Title	HSD150MX15- B Product Information	Page No.	25 / 29
Document No.		Revision	1.0

9.0 LOT MARK

9.1 Lot Mark



code 1,2,3,4,5,6: HannStar internal flow control code.

code 7: production location.

code 8: production year.

code 9: production month.

code 10,11,12,13,14,15: serial number.

Note (1) Production Year

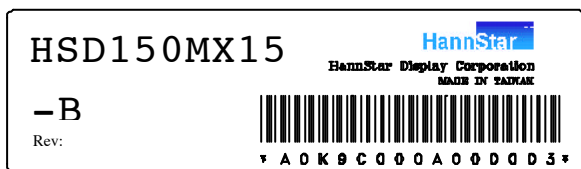
Year	1999	2000	2001	2002	2003	2004	2005	2006	2007	2008
Mark	9	0	1	2	3	4	5	6	7	8

Note (2) Production Month

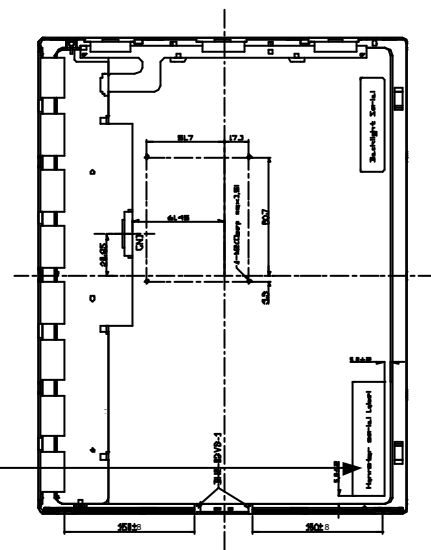
Month	Jan.	Feb.	Mar.	Apr.	May.	Jun.	Jul.	Aug.	Sep.	Oct.	Nov.	Dec.
Mark	1	2	3	4	5	6	7	8	9	A	B	C

9.2 Location of Lot Mark

- (1) The label is attached to the backside of the LCD module.
- (2) This is subject to change without prior notice.



Lot mark



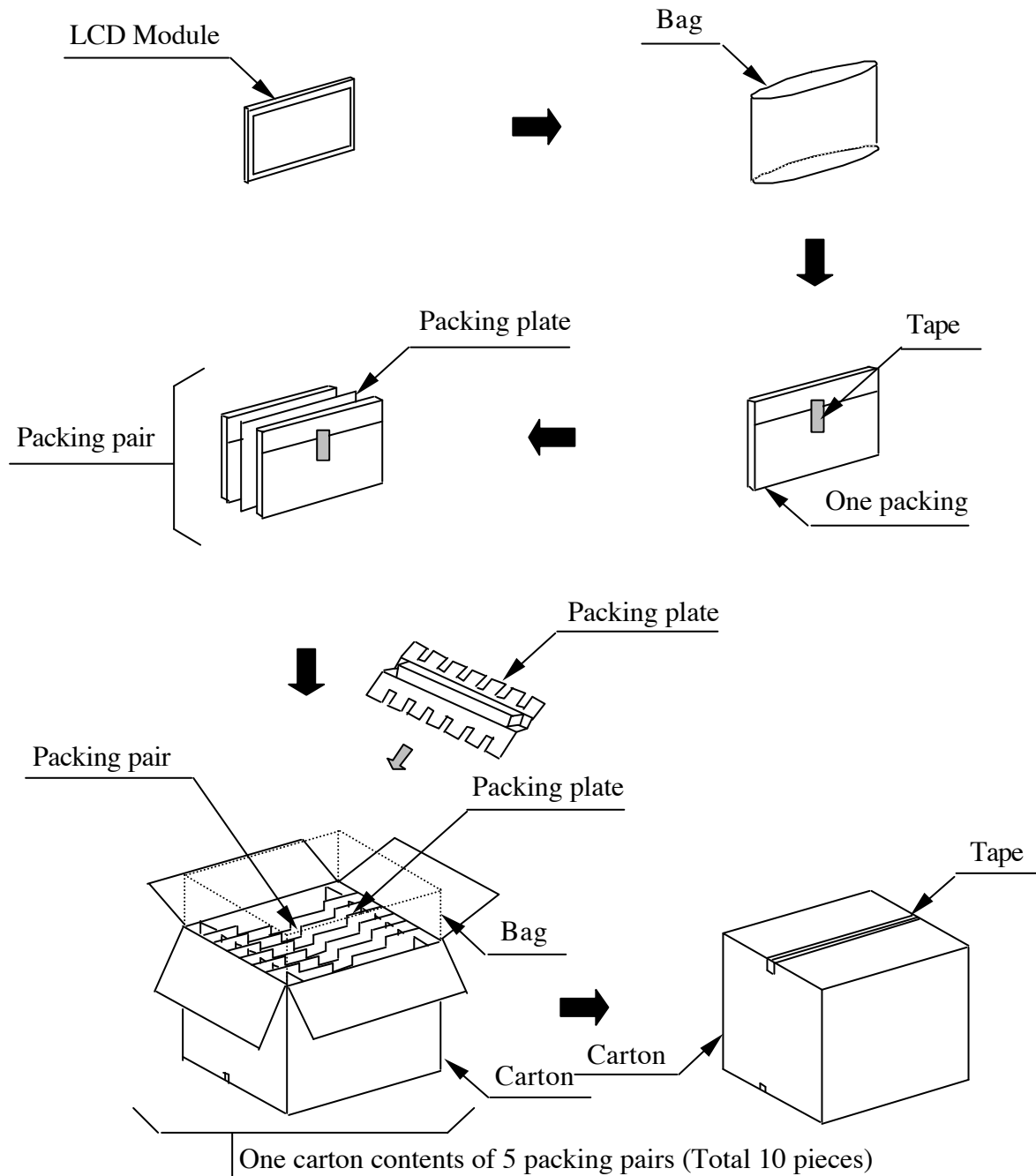
Document Title	HSD150MX15- B Product Information	Page No.	26 / 29
Document No.		Revision	1.0

10.0 PACKAGE SPECIFICATION

10.1 packing form

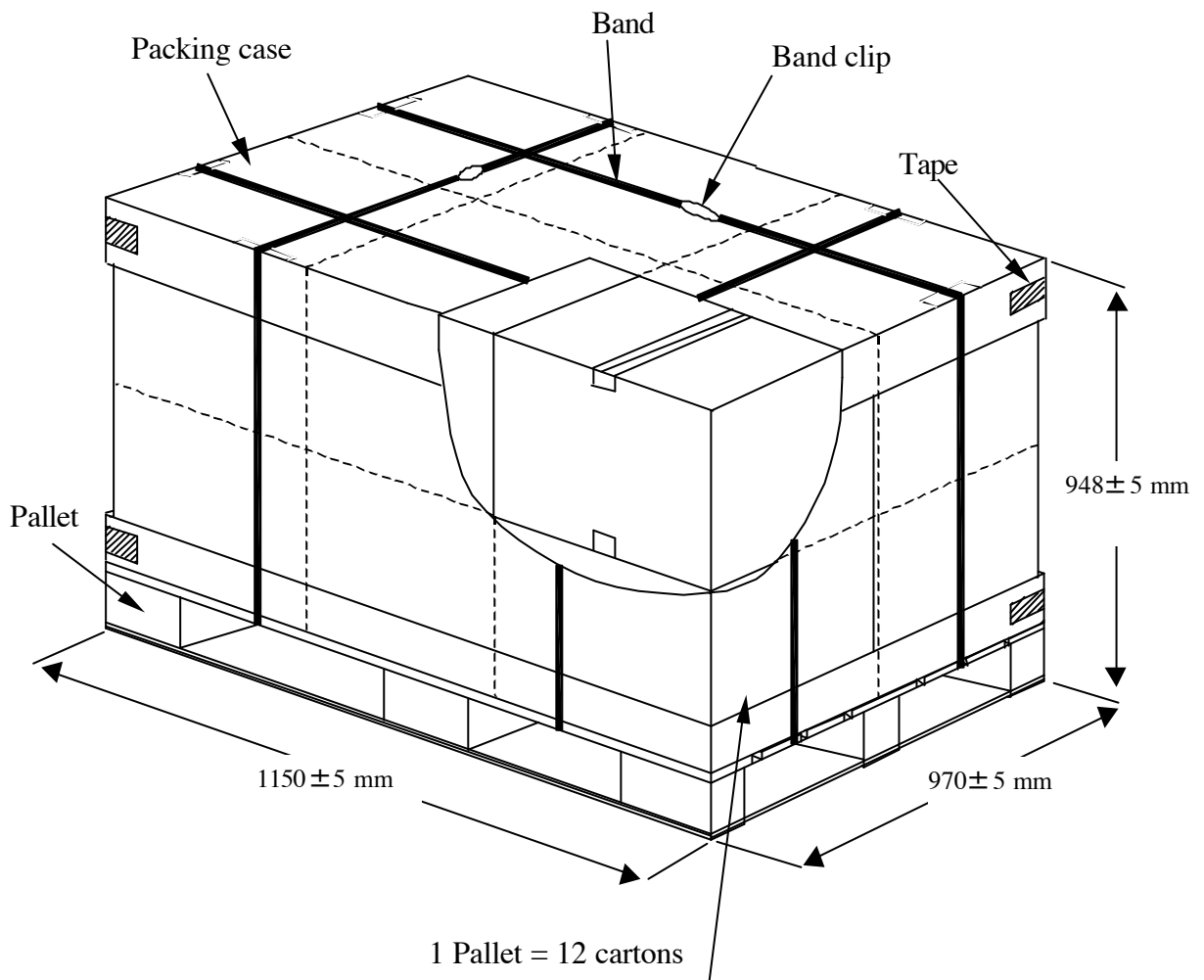
- (1) Package quantity in one carton: 10 pieces.
- (2) carton size: $453 \pm 3 \text{ mm} \times 360 \pm 3 \text{ mm} \times 403 \pm 3 \text{ mm}$.
- (3) For domestic transportation only.

10.2 packing assembly drawings



Document Title	HSD150MX15- B Product Information	Page No.	27 / 29
Document No.		Revision	1.0

10.3 Pallet transportation specification



Document Title	HSD150MX15- B Product Information	Page No.	28 / 29
Document No.		Revision	1.0

11.0 GENERAL PRECAUTION

11.1 Use Restriction

This product is not authorized for use in life supporting systems, aircraft navigation control systems, military systems and any other application where performance failure could be life threatening or otherwise catastrophic.

11.2 Disassembling or Modification

Do not disassemble or modify the module. It may damage sensitive parts inside LCD module, and may cause scratches or dust on the display. HannStar does not warrant the module, if customers disassemble or modify the module.

11.3 Breakage of LCD Panel

11.3.1 If LCD panel is broken and liquid crystal spills out, do not ingest or inhale liquid crystal, and do not contact liquid crystal with skin.

11.3.2 If liquid crystal contacts mouth or eyes, rinse out with water immediately.

11.3.3 If liquid crystal contacts skin or cloths, wash it off immediately with alcohol and rinse thoroughly with water.

11.3.4 Handle carefully with chips of glass that may cause injury, when the glass is broken.

11.4 Electric Shock

11.4.1 Disconnect power supply before handling LCD module.

11.4.2 Do not pull or fold the CCFL cable.

11.4.3 Do not touch the parts inside LCD modules and the fluorescent lamp's connector or cables in order to prevent electric shock.

11.5 Absolute Maximum Ratings and Power Protection Circuit

11.5.1 Do not exceed the absolute maximum rating values, such as the supply voltage variation, input voltage variation, variation in parts' parameters, environmental temperature, etc., otherwise LCD module may be damaged.

11.5.2 Please do not leave LCD module in the environment of high humidity and high temperature for a long time.

11.5.3 It's recommended employing protection circuit for power supply.

11.6 Operation

11.6.1 Do not touch, push or rub the polarizer with anything harder than HB pencil lead.

Use fingerstalls of soft gloves in order to keep clean display quality, when persons

11.6.2 handle the LCD module for incoming inspection or assembly.

11.6.3 When the surface is dusty, please wipe gently with absorbent cotton or other soft material.

11.6.4 Wipe off saliva or water drops as soon as possible. If saliva or water drops contact with polarizer for a long time, they may causes deformation or color fading.

11.6.5 When cleaning the adhesives, please use absorbent cotton wetted with a little petroleum benzene or other adequate solvent.

Document Title	HSD150MX15- B Product Information	Page No.	29 / 29
Document No.		Revision	1.0

11.7 Mechanism

Please mount LCD module by using mounting holes arranged in four corners tightly.

11.8 Static Electricity

11.8.1 Protection film must remove very slowly from the surface of LCD module to prevent from electrostatic occurrence.

11.8.2 Because LCD module uses CMOS-IC on circuit board and TFT-LCD panel, it is very weak to electrostatic discharge. Please be careful with electrostatic discharge.

11.8.3 Persons who handle the module should be grounded through adequate methods.

11.9 Strong Light Exposure

The module shall not be exposed under strong light such as direct sunlight. Otherwise, display characteristics may be changed.

11.10 Disposal

When disposing LCD module, obey the local environmental regulations.