

HITACHI

Displays, Hitachi, Ltd.

Date; May 10, 2001

TECHNICAL DATA

TX36D70VC1CAF

CONTENTS

No.	I t e m	Sheet No.	Page
—	COVER	3284TTD 1456-1	1-1/1
—	APPLICATIONS	3284TTD 1456-1	2-1/1
1	ABSOLUTE MAXIMUM RATING	3284TTD 1456-1	3-1/2~2/2
2	OPTICAL CHARACTERISTICS	3284TTD 1456-1	4-1/2~2/2
3	ELECTRICAL CHARACTERISTICS	3284TTD 1456-1	5-1/1
4	BLOCK DIAGRAM	3284TTD 1456-1	6-1/1
5	INTERFACE PIN CONNECTION	3284TTD 1456-1	7-1/3~3/3
6	INTERFACE TIMING FOR LVDS TRANSMITTER	3284TTD 1456-1	8-1/3~3/3
7	DIMENSIONAL OUTLINE	3284TTD 1456-1	9-1/1

Note : This specifications is still tentative under development of the module and it includes targert.

Then it may be revised without notice by review on the characteristics, etc.
Please check the latest specifications in using the module.

Hitachi, Ltd.	Sh. No.	3284TTD 1456-1	Page	1-1/1
---------------	------------	----------------	------	-------

APPLICATIONS

This specification is applied to the following TFT Liquid Crystal Display Module with Back-light unit and LVDS (Low Voltage Differential Signaling) Interface.

Note : Inverter device for Back-light is not built in so it should be prepared by yourself.

- Type name : **TX36D70VC1CAF**
- Display Area : H285.7×V214.3 [mm]
- Display Pixels : H1024×V768 [pixels]
(Display Dots) (H(1024×3)×V768 dots)
- Pixel Pitch : H 0.279×V 0.279 [mm]
- Color Pixel Arrangement : R·G·B Vertical Stripe
- Display Mode : Transmissive Mode
Normally White Mode
- Color Number : 262k Colors
- Interface : LVDS
- Front side Polarizer : Polarizer with Antiglare Coating
- Back-Light : A Cold Cathode Fluorescent Lamp
(Inverter is not included)
- Dimensions Outlines : H298.5×V226.95×t6.0MAX [mm]
- Weight : 435 (typ.) [g]
- Power Supply : 3.3V

1. ABSOLUTE MAXIMUM RATINGS

1.1 ENVIRONMENTAL ABSOLUTE MAXIMUM RATINGS

ITEM	OPERATING		STORAGE		UNIT	NOTE
	MIN.	MAX.	MIN.	MAX.		
Ambient Temperature	10	40	-20	60	°C	1)
Humidity	2)		2)		%RH	1)
Vibration	-	4.9 (0.5G)	-	19.6 (2G)	m/s ²	3)
Shock	-	29.4 (3G)	-	490 (50G)		4)
Corrosive Gas	NOT ACCEPTABLE		NOT ACCEPTABLE		-	
Illuminance of LCD surface	-	50,000	-	50,000	lx	

Note 1) Environmental temperature and humidity of this unit, not of system installed with this unit.
At low temperature the brightness of CFL drop and the life time of CFL become to be short.

2) Ambient temp $T_a \leq 40^\circ\text{C}$: 85%RH MAX. without condensation.
 $T_a > 40^\circ\text{C}$: Absolute humidity must be lower than the humidity of 85%RH at 40°C .

3) 20~50Hz, (Except resonance frequency)

4) 7ms

1.2 ELECTRICAL ABSOLUTE MAXIMUM RATINGS

(1) TFT LIQUID CRYSTAL DISPLAY MODULE

V_{SS}=0V

ITEM	SYMBOL	MIN.	MAX.	UNIT	NOTE
Power Supply Voltage	VDD	0	4.0	V	
Electrostatic Durability	VESD0	±100		V	1), 2)
	VESD1	± 8		kV	1), 3)

Note 1) 200pF-250Ω, 25°C-70%RH.

2) I/F Connector pins are subjected.

3) The Surface of Metal bezel and LCD are subjected.

(2) BACK-LIGHT UNIT

GND=0V

ITEM	SYMBOL	MIN.	MAX.	UNIT
Lamp Current	IL	0	7	mA _{RMS}
Lamp Voltage	VL	0	2000	V _{RMS}

1.3 Connection between PC Ground and Metal frame.

Metal frame of the module should be grounded with PC's ground in case that protection film is being peeled off while operating the module. Unless you connect between metal frame and PC's Ground. PC's system happens to shut down due to the influence of electrostatic discharge caused by peeling off the protection film.

2. OPTICAL CHARACTERISTICS

The following items are measured when the conditions of this unit (TFT panel and Back-light) and measuring systems are stable.

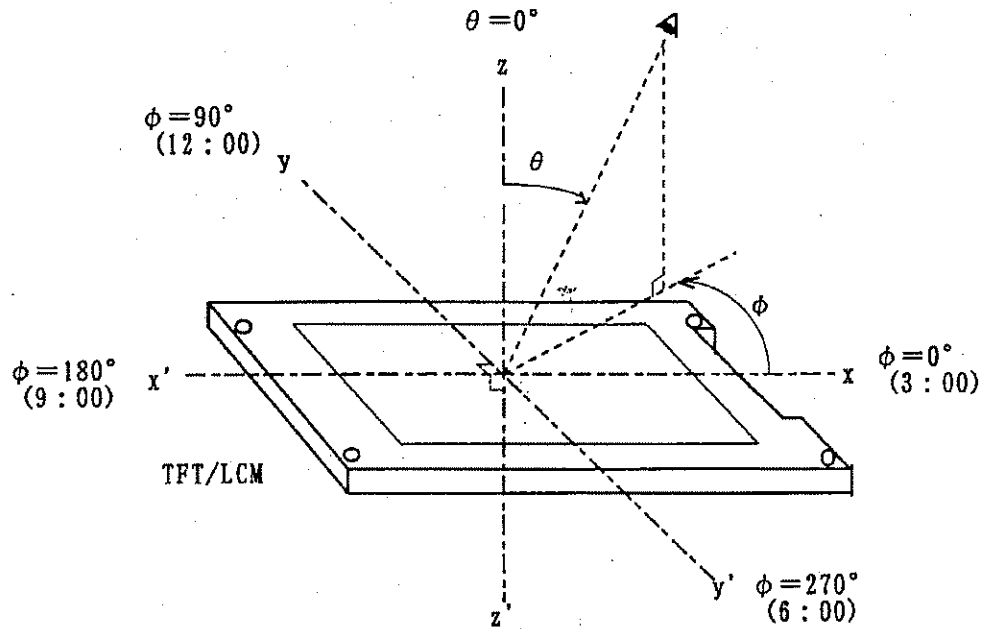
The ambient light excluding Back-light is nothing.

- Measuring equipment : TOPCON BM-7, Pritchard 1980A, or equivalent.
- Measuring point : Active area center

Temperature of LCD=25°C, VDD=3.3V, fv=60Hz, IL=6mA
Back-Light operation Frequency = (55)kHz

ITEM	SYMBOL	CONDITION	MIN.	TYP.	MAX.	UNIT	NOTE	
Contrast Ratio	CR	$\theta = 0^\circ$ Note 1)	100	150	—	—	2)	
Brightness (White)	Bwh		120	150	—	cd/m ²		
Color of CIE	Red		x	0.53	0.58	0.63	—	
			y	0.28	0.33	0.38		
	Green		x	0.25	0.30	0.35		
			y	0.51	0.56	0.61		
	Blue		x	0.09	0.14	0.19		
			y	0.08	0.13	0.18		
	White		x	0.28	0.33	0.38		
			y	0.29	0.34	0.39		

Note 1) Definition of Viewing Angle



Note 2) Definition of Contrast Ratio (CR)

$$CR = \frac{\text{Brightness when displaying White raster}}{\text{Brightness when displaying Black raster}}$$

3. ELECTRICAL CHARACTERISTICS

(1) TFT LIQUID CRYSTAL DISPLAY MODULE

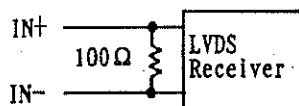
Ta=25°C, Vss=0V

ITEM	SYMBOL	MIN.	TYP.	MAX.	UNIT	NOTE
Power Supply Voltage	V _{DD}	3.0	3.3	3.6	V	
Differential Input Voltage for LVDS Receiver Threshold	Hi	V _{IH}	—	—	+100	mV 1)
	Lo	V _{IL}	-100	—	—	
Power Supply Current	I _{DD}	—	300	600	mA	2), 3)
Vsync Frequency	f _v	—	60	65	Hz	4)
Hsync Frequency	f _H	—	48.5	52.4	kHz	4)
DCLK Frequency	f _{CLK}	—	65	68	MHz	4)

Note 1) VCM=+1.25V

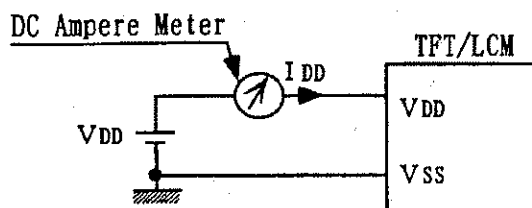
VCM is common mode voltage of LVDS transmitter/receiver.

The input terminal of LVDS transmitter is terminated with 100Ω.



2) f_v=60Hz, f_{CLK}=65MHz, V_{DD}=3.3V, DC Current.

Typ. value is measured when displaying Vertical-stripe (Black-Gray 7).



3) As this module contains 1.0A current fuse, prepare current source that is enough for cutting current fuse when a trouble happens.

4) For LVDS Transmitter Input

(2) BACK-LIGHT UNIT

Ta=25°C, GND=0V

ITEM	SYMBOL	MIN.	TYP.	MAX.	UNIT	NOTE
Lamp Current	I _L	3.5	5.0	6.0	mArms	1), 2)
Lamp Voltage	V _L	—	650	—	V _{rms}	
Frequency	f _L	50	—	70	kHz	3)
Starting Lamp Voltage	V _s	1100	—		V _{rms}	4)
		1250	—			4), 5)

Note 1) I_L is Current of GND side.

2) Higher I_L cause the short life time of CFL.

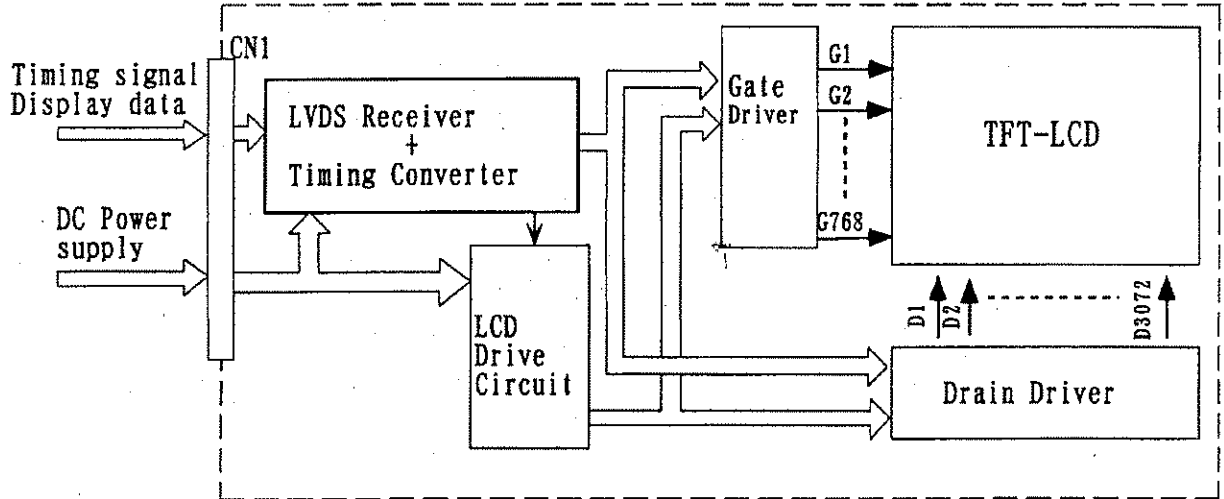
3) Lamp frequency may produce interference with Hsync frequency, causing beat or flicker on the display.

4) Starting Lamp Voltage is applied more than V_s(min).

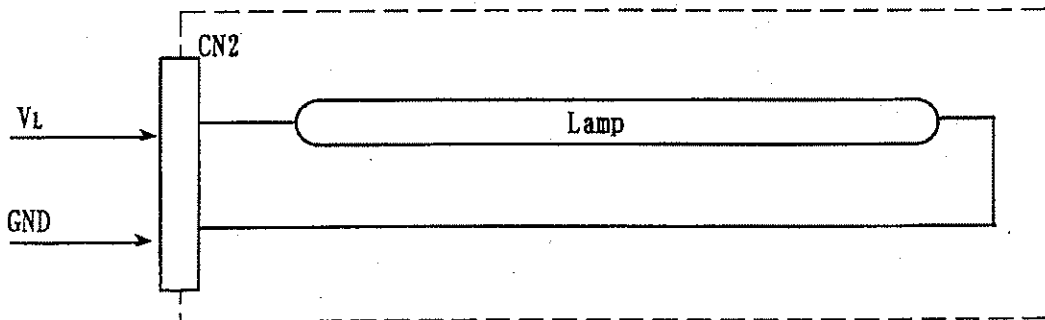
5) Ta=10°C

4. BLOCK DIAGRAM

(1) TFT LIQUID CRYSTAL DISPLAY MODULE



(2) BACK-LIGHT UNIT



5. INTERFACE PIN CONNECTION

(1) TFT LIQUID CRYSTAL DISPLAY MODULE

CN1 《JAE FI-SEB20P-HF13 or equivalent》

Pin No	SYMBOL	FUNCTION	NOTE
1	VDD	Power Supply 3.3V nominal	2)
2	VDD	Power Supply 3.3V nominal	2)
3	VSS	Ground	1)
4	VSS	Ground	1)
5	Rin0-	Receiver Signal (-)	
6	Rin0+	Receiver Signal (+)	
7	VSS	Ground	1)
8	Rin1-	Receiver Signal (-)	
9	Rin1+	Receiver Signal (+)	
10	VSS	Ground	1)
11	Rin2-	Receiver Signal (-)	
12	Rin2+	Receiver Signal (+)	
13	VSS	Ground	1)
14	CLK-	Clock Signal (-)	
15	CLK+	Clock Signal (+)	
16	VSS	Ground	1)
17	--	--	3)
18	--	--	3)
19	VSS	Ground	1)
20	VSS	Ground	1)

Note 1) All Vss pins should be connected to GND(0V).

Metal bezel is connected internally to Vss.

2) All Vdd pins should be connected to +3.3V.

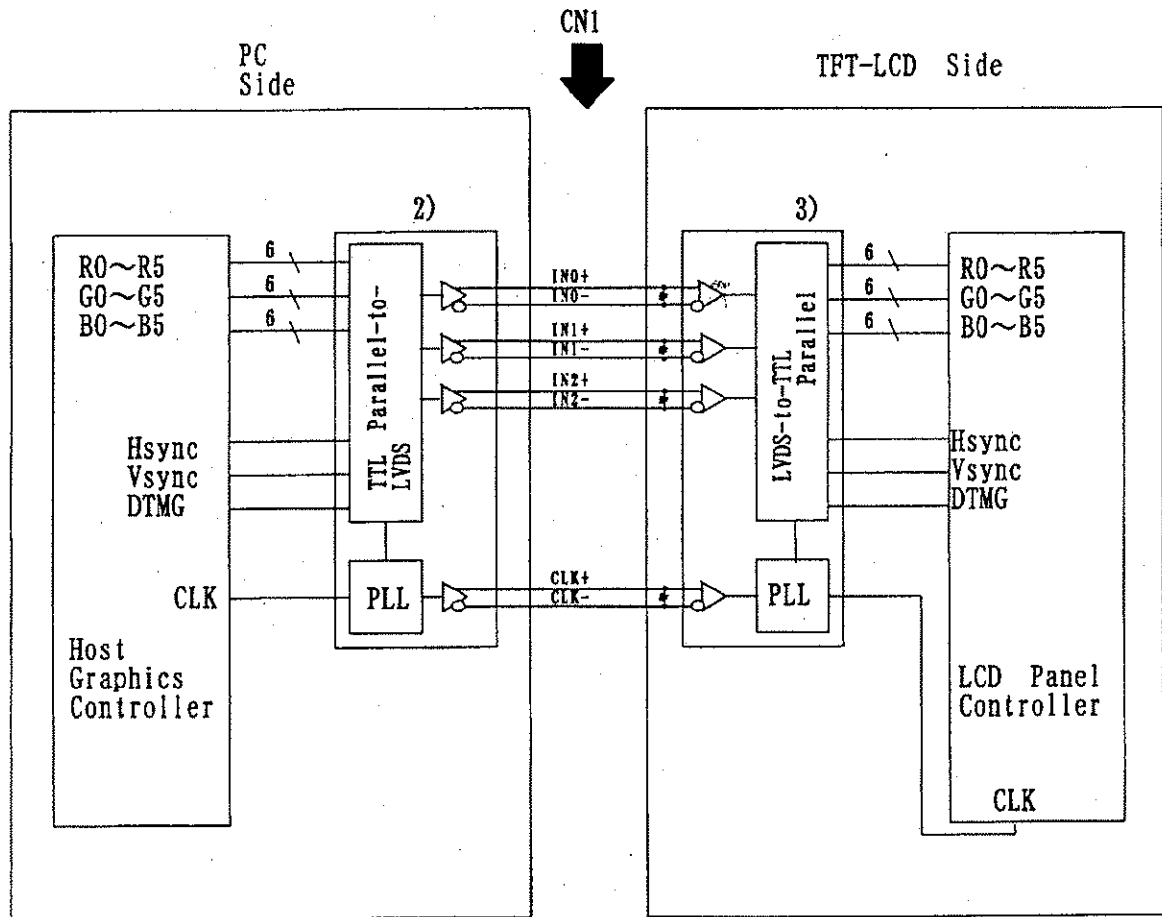
3) Keep Open. Using these pins is prohibited.

(2) BACK-LIGHT UNIT

CN2 《JST : BHSR-02VS-1》

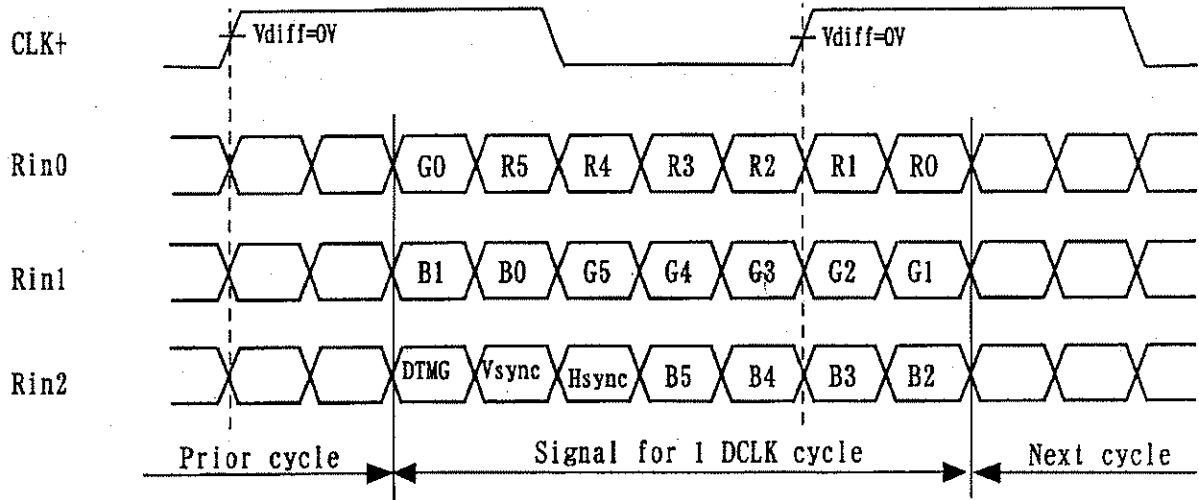
Pin No	SYMBOL	DESCRIPTION
1	V _L	Power Supply
2	GND	GND (0V)

LVDS INTERFACE



- NOTE: 1) LVDS cable impedance is 100 ohms per signal line when two are used differentially...
- 2) Transmitter : NS DS90CF363A, or equivalent.
Transmitter is not contained in Module.
- 3) Receiver : Thine THC63LVDD64A, or equivalent

LVDS Input Signal



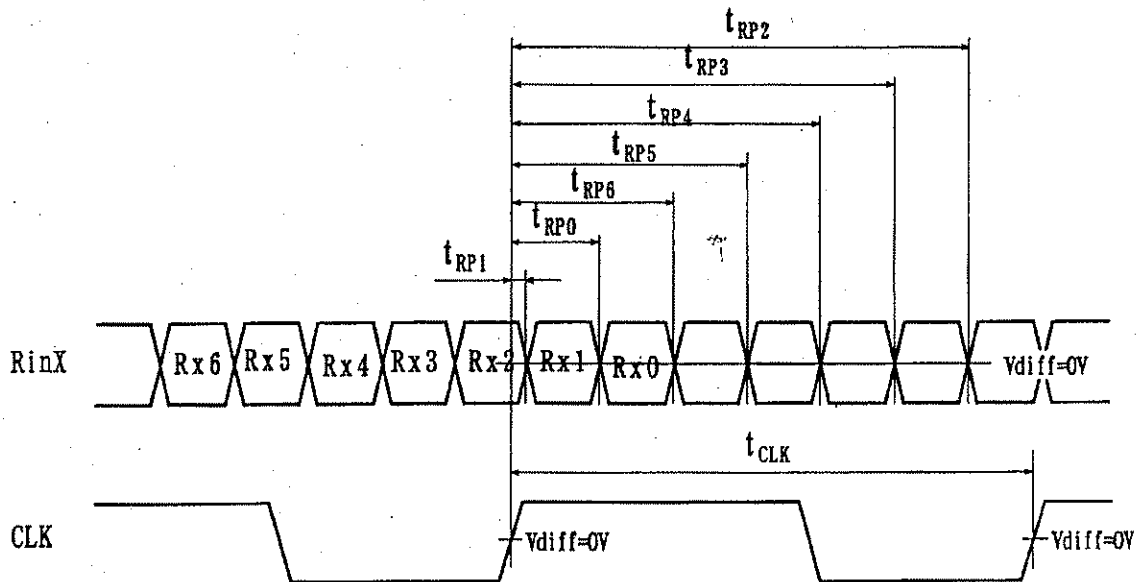
$CLK = (CLK+) - (CLK-)$
 $RinX = (RinX+) - (RinX-)$ (X=0, 1, 2)
 Pin connection in case of using
 NS DS90CF363A

Input signal	Transmitter
CLK	Tx CLK IN(26)
R0	Tx IN0(44)
R1	Tx IN1(45)
R2	Tx IN2(47)
R3	Tx IN3(48)
R4	Tx IN4(1)
R5	Tx IN5(3)
G0	Tx IN6(4)
G1	Tx IN7(6)
G2	Tx IN8(7)
G3	Tx IN9(9)
G4	Tx IN10(10)
G5	Tx IN11(12)
B0	Tx IN12(13)
B1	Tx IN13(15)
B2	Tx IN14(16)
B3	Tx IN15(18)
B4	Tx IN16(19)
B5	Tx IN17(20)
Hsync	Tx IN18(22)
Vsync	Tx IN19(23)
DTMG	Tx IN20(25)

1) () indicate pin NO (IC).

6. Interface timing

(1) LVDS receiver timing (Interface of TFT module)

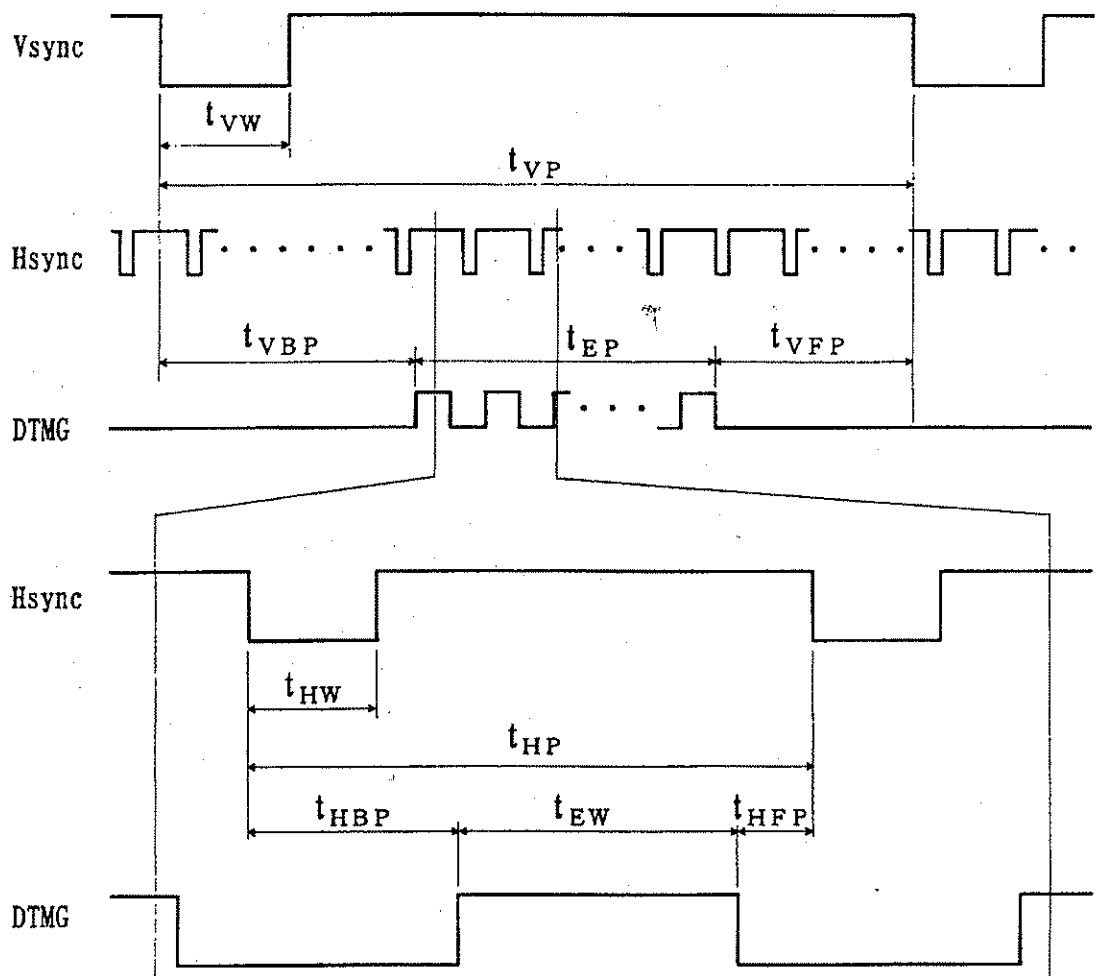


$$R_{inX} = (R_{inX+}) - (R_{inX-}) \quad (X=0, 1, 2)$$

$$CLK = (CLK+) - (CLK-)$$

ITEM	SIMBOL	MIN.	TYP.	MAX.	UNIT	NOTE
DCLK	FREQUENCY	$1/t_{CLK}$	60	65	68	MHz
R_{inX} ($X=0, 1, 2$)	0 data position	t_{RP1}	-0.50	0	+0.50	ns
	1st data position	t_{RP0}	$\frac{1}{7}t_{CLK}-0.50$	$\frac{1}{7}t_{CLK}$	$\frac{1}{7}t_{CLK}+0.50$	
	2nd data position	t_{RP6}	$\frac{2}{7}t_{CLK}-0.50$	$\frac{2}{7}t_{CLK}$	$\frac{2}{7}t_{CLK}+0.50$	
	3rd data position	t_{RP5}	$\frac{3}{7}t_{CLK}-0.50$	$\frac{3}{7}t_{CLK}$	$\frac{3}{7}t_{CLK}+0.50$	
	4th data position	t_{RP4}	$\frac{4}{7}t_{CLK}-0.50$	$\frac{4}{7}t_{CLK}$	$\frac{4}{7}t_{CLK}+0.50$	
	5th data position	t_{RP3}	$\frac{5}{7}t_{CLK}-0.50$	$\frac{5}{7}t_{CLK}$	$\frac{5}{7}t_{CLK}+0.50$	
	6th data position	t_{RP2}	$\frac{6}{7}t_{CLK}-0.50$	$\frac{6}{7}t_{CLK}$	$\frac{6}{7}t_{CLK}+0.50$	

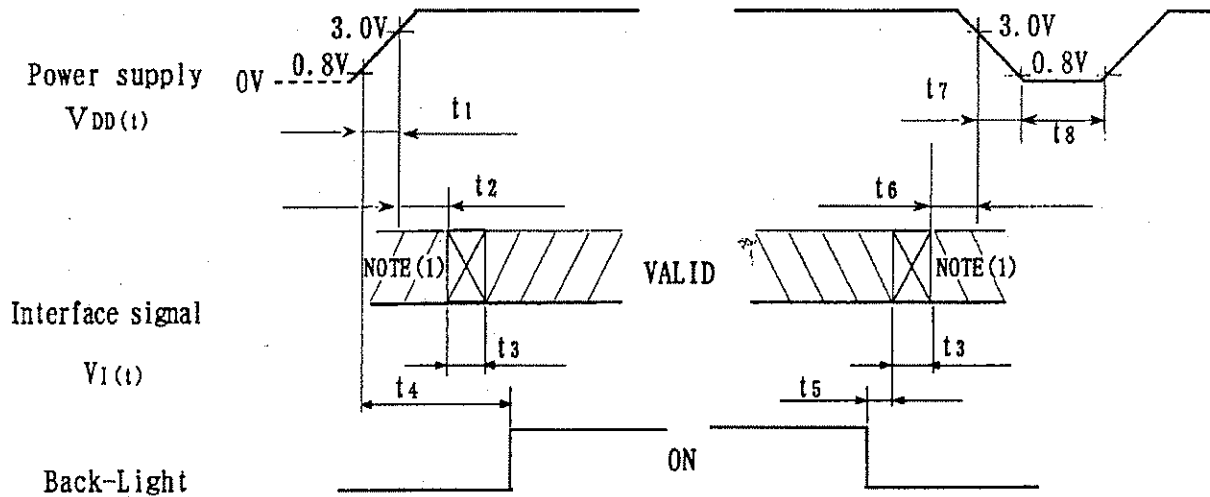
(2) Timing converter timing
(Input timing for transmitter)



Item		Symbol	Min.	Typ.	Max.	Unit	Note
Vsync	Period	t_{vp}	770	—	1000	t_{HP}	
	Width-Active	t_{vw}	1	—	120		
Hsync	Period	t_{hp}	1180	—	2400	t_{CLK}	
	Width-Active	t_{hw}	8	—	240		
DTMG	Period	t_{ep}	768	768	768	t_{HP}	
	Width-Active	t_{ew}	1024	1024	1024	t_{CLK}	
	Vertical Back Porch	t_{vbp}	0	—	—	t_{HP}	1)
	Vertical Front Porch	t_{vfp}	1	—	—		
	Horizontal Back Porch	t_{hbp}	32	—	416	t_{CLK}	
	Horizontal Front Porch	t_{hfp}	4	—	—		

NOTE 1) $t_{vbp} + t_{vfp} \geq 2$

(3) TIMING BETWEEN INTERFACE SIGNAL AND POWER SUPPLY



POWER ON
 $t_1 \leq 15\text{ms}$
 $0 < t_2 \leq 45\text{ms}$
 $0 \leq t_3 \leq 5\text{ms}$
 $0.1\text{s} \leq t_4$ NOTE (3)

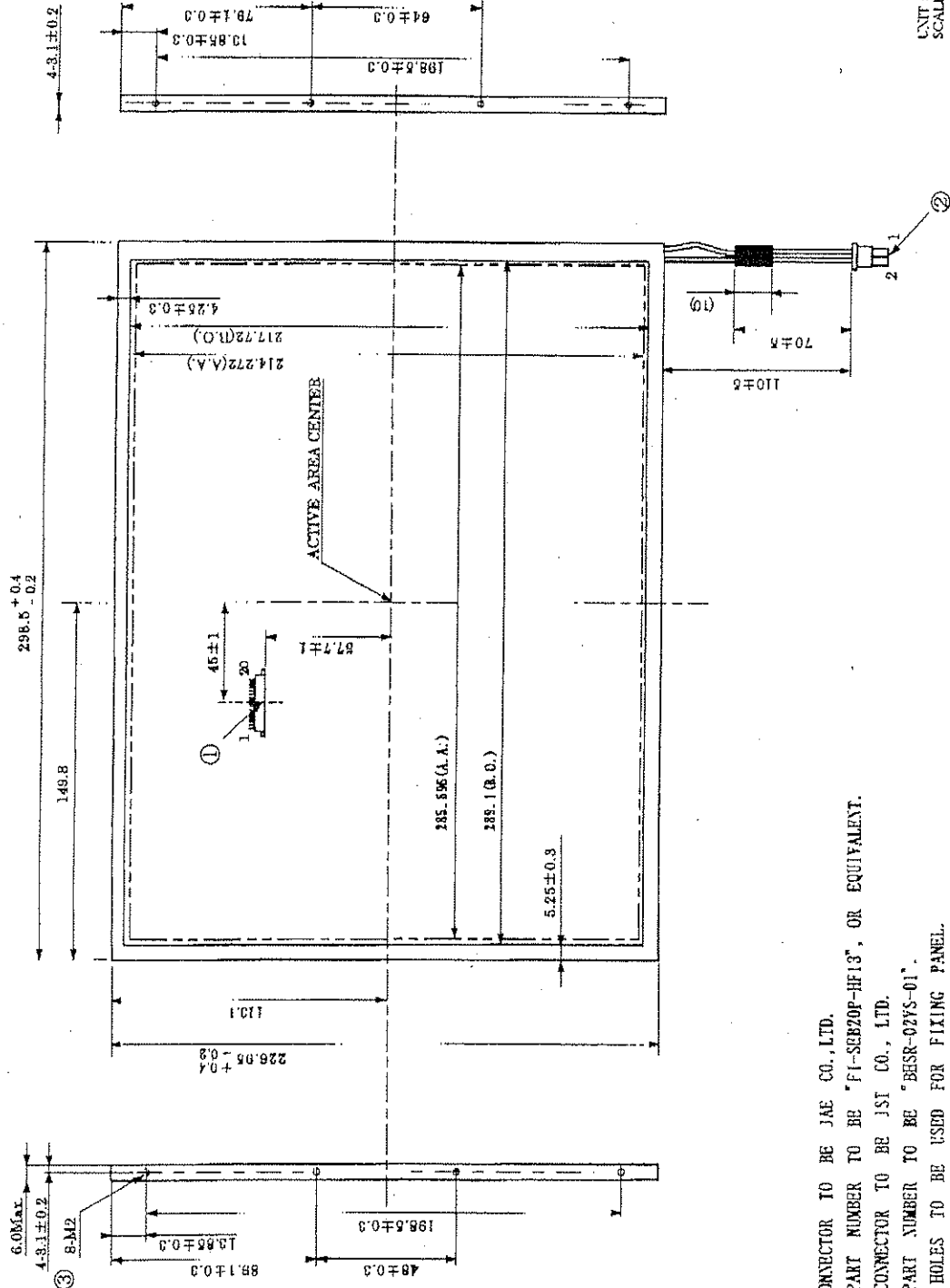
POWER OFF
 $5\text{ms} \leq t_5$
 $0 \leq t_6 \leq 45\text{ms}$
 $0 \leq t_7 \leq 20\text{ms}$
 $0.4\text{s} \leq t_8$

NOTE(1) t_2 : Hi-Z (Hi-impedance) state

(2) t_3 : Signal transition time from Hi-Z state to Valid state specified by 3(1), 6(1) and (2).

(3) Recommended value

7. DIMENSIONAL OUTLINE



UNIT: mm
SCALE: 1:1

NOTES

- ① I/F CONNECTOR TO BE JAE CO., LTD.
- ② THIS PART NUMBER TO BE "F1-SEB20P-HF13", OR EQUIVALENT.
- ③ LAMP CONNECTOR TO BE JST CO., LTD.
- ④ THIS PART NUMBER TO BE "BESR-02FS-01".
- ⑤ THESE HOLES TO BE USED FOR FIXING PANEL.
- ⑥ THE UNSPECIFIED TOLERANCE : ±0.5mm
- ⑦ MAXIMUM TORQUE FOR THE SCREW IN MOUNTING PANEL : 0.147N·m
- ⑧ MAXIMUM LENGTH OF SCREW FOR TFT MODULE MOUNTING : 2.2mm