



PROPRIETARY NOTE

THIS SPECIFICATION IS THE PROPERTY OF BOE HYDIS AND SHALL NOT BE REPRODUCED OR COPIED WITHOUT THE WRITTEN PERMISSION OF BOE HYDIS AND MUST BE RETURNED TO BOE HYDIS UPON ITS REQUEST

TITLE : : HT121WX2-103

Product Specification

Rev. B

BOE HYDIS TECHNOLOGY

SPEC. NUMBER
S864-1264

PRODUCT GROUP
TFT-LCD PRODUCTS

REV.
B

ISSUE DATE
2007. 04. 27

PAGE
1 / 27



PRODUCT GROUP

REV

ISSUE DATE

TFT-LCD PRODUCT

B

2007.04.27

REVISION HISTORY

| REV. | ECN NO. | DESCRIPTION OF CHANGES | DATE | PREPARED |
|------|------------|---|----------|-----------|
| 0 | | .Initial Release | 05.12.28 | C.Y.Cho |
| A | E0611-F022 | .Repositioning the Product Label (23P) : Left and down side → Center and down side | 06.12.26 | Joseph Ha |
| B | E0704-F016 | .Adding the Optical data (8P) : Minimum value of Viewing Angle & Contrast Ratio Maximum value of Response Time .Elimination of Product Label for BOE China (23P) | 07.04.27 | Joseph Ha |

SPEC. NUMBER
S864-1264

SPEC. TITLE
HT121WX2-103 Product Specification

PAGE
2 / 27



PRODUCT GROUP

REV

ISSUE DATE

TFT-LCD PRODUCT

B

2007.04.27

CONTENS

| NO. | ITEM | PAGE |
|------|---|------|
| 1.0 | General Description | 4 |
| 2.0 | Absolute Maximum ratings | 6 |
| 3.0 | Electrical specifications | 7 |
| 4.0 | Optical specifications | 8 |
| 5.0 | Interface Connection | 12 |
| 6.0 | Signal Timing Specification | 14 |
| 7.0 | Signal Timing waveforms of interface signal (DE mode) | 15 |
| 8.0 | Input Signals, Display Colors & Gray Scale of Colors | 16 |
| 9.0 | Power Sequence | 17 |
| 10.0 | Mechanical Characteristics | 18 |
| 11.0 | Reliability Test | 19 |
| 12.0 | Handling & Cautions | 20 |
| 13.0 | Packing | 21 |
| 14.0 | Environment & Safety | 22 |
| 15.0 | TFT-LCD Module Outline Dimensions | 24 |
| 16.0 | EDID data | 26 |

SPEC. NUMBER
S864-1264

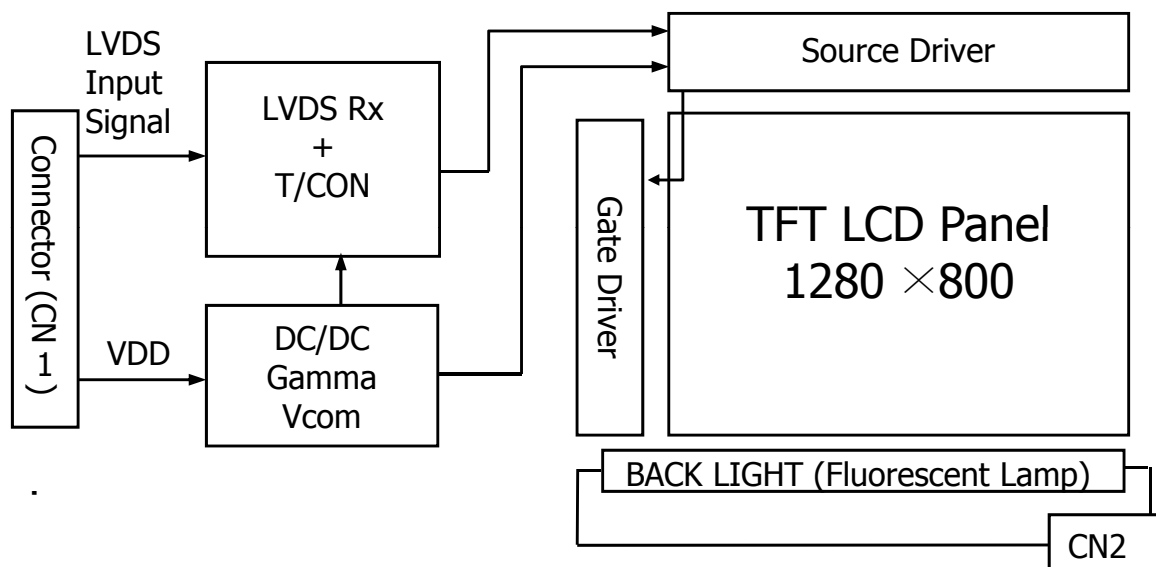
SPEC. TITLE
HT121WX2-103 Product Specification

PAGE
3 / 27

1.0 GENERAL DESCRIPTION

1.1 Introduction

HT121WX2-103 is a color active matrix TFT LCD module using amorphous silicon TFT's (Thin Film Transistors) as an active switching devices. This module has a 12.1 inch diagonally measured active area with WXGA resolutions (1280 horizontal by 800 vertical pixel array). Each pixel is divided into RED, GREEN, BLUE dots which are arranged in vertical stripe and this module can display 262,144 colors. The TFT-LCD panel used for this module is a low reflection and higher color type.



1.2 Features

- 1) Thin and light weight
- 2) 6-bit color depth, Display 262,144 colors
- 3) Low driving voltage and low power consumption
- 4) 1 Channel LVDS Interface (DE mode)
- 6) Single CCFL (Bottom side/Horizontal Direction)
- 7) Al Bezel
- 8) On Board EDID chip
- 9) Glare polarizer product
- 10) VESA V1 Compatible
- 11) RoHS Product

1.3 Application

Notebook PC



PRODUCT GROUP

REV

ISSUE DATE

TFT-LCD PRODUCT

B

2007.04.27

1.3 General Specifications

| PARAMETER | SPECIFICATION | UNIT | REMARK |
|---------------------|--|--------|--------|
| Active area | 261.12(H) × 163.20(V) | mm | |
| Number of pixels | 1280(H) × 800(V) | pixels | |
| Pixel pitch | 0.204(H) × 0.204(V) | mm | |
| Pixel arrangement | RGB Vertical stripe | | |
| Display colors | 262,144 | colors | |
| Display mode | Normally White | | |
| Dimensional outline | 275.8±0.5 (W) x 178.0±0.5 (V) Thickness : 4.9 Typ (5.2 Max) | mm | |
| Weight | 260 Typ. / 270 Max. | g | |
| Back-light | Top edge side 1-CCFL type (Cold Cathode Fluorescent Lamp) | | |
| Surface treatment | Anti-GlareReflection, 2H | | |

SPEC. NUMBER
S864-1264

SPEC. TITLE
HT121WX2-103 Product Specification

PAGE
5 / 27

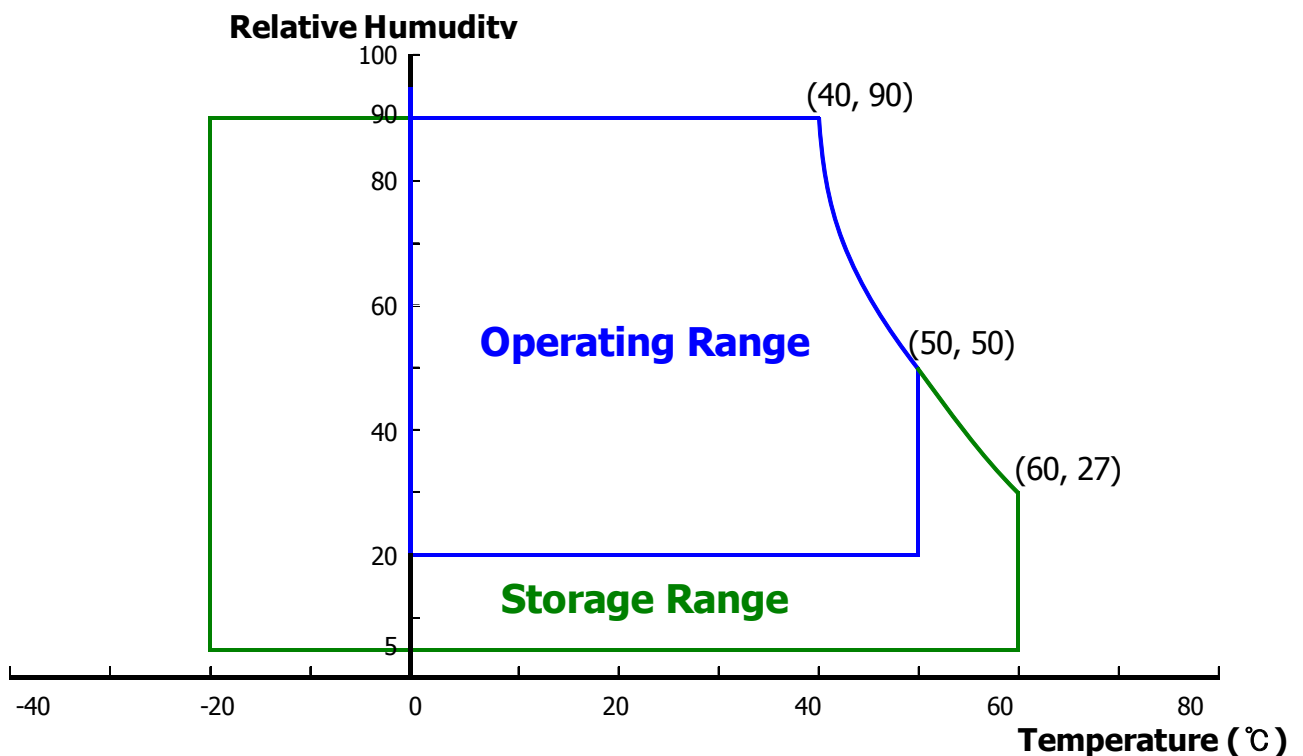
2.0 ABSOLUTE MAXIMUM RATINGS

The followings are maximum values which, if exceed, may cause faulty operation or damage to the unit.

| PARAMETER | SYMBOL | MIN. | MAX. | UNIT | REMARK |
|-------------------------|----------|---------|--------------|------|----------------|
| Logic Power Supply | V_{DD} | VSS-0.3 | 4.0 | V | Ta = 25 ± 2 °C |
| Logic Input Voltage | V_{IN} | VSS-0.3 | $V_{DD}+0.3$ | V | |
| Back-light Lamp Current | I_{BL} | 2.0 | 7.0 | mA | |
| Back-light Frequency | F_L | 45 | 80 | KHz | |
| Operating Temperature | T_{OP} | 0 | +50 | °C | Note 1 |
| Storage Temperature | T_{ST} | -20 | +60 | °C | |

Note 1. Temperature and relative humidity range are shown in the figure below.

- 90 [%] RH Max. ($40^{\circ}\text{C} \geq T_a$)
- Maximum wet-bulb temperature at 39 °C or less. ($T_a > 40^{\circ}\text{C}$) No condensation





PRODUCT GROUP

REV

ISSUE DATE

TFT-LCD PRODUCT

B

2007.04.27

3.0 ELECTRICAL SPECIFICATIONS

Ta = 25±2℃

| PARAMETER | | MIN. | TYP. | MAX. | UNIT | REMARK |
|--|--------------------|--------|--------|------|------------------|---------------------------------|
| Power Supply Voltage | V _{DD} | 3.0 | 3.3 | 3.6 | V | Note 1 |
| Power Supply Current | I _{DD} | - | 303 | - | mA | Note 1 |
| CCFL Ignition Time | t | - | - | 1 | Sec | |
| High Level Differential Input Signal Voltage | V _{IH} | - | - | +100 | mV | |
| Low Level Differential Input Signal Voltage | V _{IL} | -100 | - | - | mV | |
| Back-light Lamp Voltage | V _{BL} | 760 | 580 | 540 | V _{rms} | Note 2 |
| Back-light Lamp Current | I _{BL} | 2.0 | 5.0 | 7.0 | mA _{rm} | |
| Back-light Lamp operating Frequency | F _L | 45 | 55 | 80 | KHz | One Lamp, Note 3 |
| Lamp Start Voltage | | - | - | 1120 | V _{rms} | Ta = 25℃, Note 4 |
| | | - | - | 1350 | V _{rms} | Ta = 0℃, Note 4 |
| Lamp Life | | 10,000 | 15,000 | - | hrs | I _{BL} =7.0mA, Note 5 |
| Power Consumption | P _D | | 1.0 | | W | at Windows XP, |
| | P _{BL} | | 3.5 | 3.85 | W | I _{BL} = 6.0mA, Note 6 |
| | P _{total} | | 4.5 | | W | |

- Notes :
- The supply voltage is measured and specified at the interface connector of LCM.
The current draw and power consumption specified is for 3.3V at 25℃.
a) Typ. : Windows XP desktop Pattern b) Max. : V2 Skip Pattern
 - Reference value, which is measured with Samsung Electric SIC-180 Inverter.
(VBL Min is value at IBL Min and VBL Max is value at IBL Max)
 - The lamp frequency should be selected as different as possible from the horizontal synchronous frequency and its harmonics to avoid interference which may cause line flow on the display.
 - For starting the backlight unit, the output voltage of DC/AC's transformer should be larger than the minimum lamp starting voltage. (1120 Vrms at 25℃ & 1,350 Vrms at 0℃)
If an inverter has shutdown function it should keep its output for more than 1 second even if the lamp connector open. Otherwise the lamps may not to be turned on.
 - End of Life shall be determined by the time when any of the following is satisfied under continuous lighting at 25℃ and IBL = 7.0mA.
 - Intensity drops to 50% of the Initial Value.
 - Calculated value for reference (VBL × IBL)

SPEC. NUMBER
S864-1264

SPEC. TITLE
HT121WX2-103 Product Specification

PAGE
7 / 27

4.0 OPTICAL SPECIFICATION

The test of Optical specifications shall be measured in a dark room (ambient luminance ≤ 1 lux and temperature = $25 \pm 2^\circ\text{C}$) with the equipment of Luminance meter system (Goniometer system and TOPCONE BM-5) and test unit shall be located at an approximate distance 50cm from the LCD surface at a viewing angle of θ and Φ equal to 0° . We refer to $\theta_{\phi=0}$ ($=\theta_3$) as the 3 o'clock direction (the "right"), $\theta_{\phi=90}$ ($=\theta_{12}$) as the 12 o'clock direction ("upward"), $\theta_{\phi=180}$ ($=\theta_9$) as the 9 o'clock direction ("left") and $\theta_{\phi=270}$ ($=\theta_6$) as the 6 o'clock direction ("bottom"). While scanning θ and/or ϕ , the center of the measuring spot on the Display surface shall stay fixed. The backlight should be operating for 30 minutes prior to measurement... VDD shall be $3.3 \pm 0.3\text{V}$ at 25°C . Optimum viewing angle direction is 6 o'clock.

| PARAMETER | | SYMBOL | CONDITION | MIN. | TYP. | MAX. | UNIT | REMARK |
|----------------------------|-------------|-----------------|---|-------|-------|-------|-------------------|--------|
| Viewing Angle Range | Horizontal | θ_3 | CR > 10 | 40 | 45 | - | Deg. | Note 1 |
| | | θ_9 | | 40 | 45 | - | Deg. | |
| | Vertical | θ_{12} | | 15 | 20 | - | Deg. | |
| | | θ_6 | | 40 | 45 | - | Deg. | |
| Luminance Contrast ratio | | CR | $\theta = 0^\circ$ | 250 | 300 | - | | Note 2 |
| Luminance of White | 1 Points | Y_w | $\theta = 0^\circ$ IBL = 6mA | 170 | 200 | - | cd/m ² | Note 3 |
| White Luminance Uniformity | 5 Points | ΔY_5 | | 80 | 85 | - | % | Note 4 |
| | 13 Points | ΔY_{13} | | 65 | 75 | - | | |
| White Chromaticity | | x_w | $\theta = 0^\circ$ | 0.283 | 0.313 | 0.343 | | Note 5 |
| | | y_w | | 0.299 | 0.329 | 0.359 | | |
| Reproduction of Color | Red | x_R | $\theta = 0^\circ$ | 0.559 | 0.589 | 0.619 | | |
| | | y_R | | 0.301 | 0.331 | 0.361 | | |
| | Green | x_G | | 0.273 | 0.303 | 0.333 | | |
| | | y_G | | 0.510 | 0.540 | 0.570 | | |
| | Blue | x_B | | 0.117 | 0.147 | 0.177 | | |
| | | y_B | | 0.115 | 0.145 | 0.175 | | |
| Response Time | $T_r + T_d$ | | Ta = 25°C $\theta = 0^\circ$ | | 10 | 22.5 | ms | Note 6 |
| | T_d | | | | 15 | 27.5 | ms | |
| Cross Talk | | CT | $\theta = 0^\circ$ | | | 2.0 | % | Note 7 |



PRODUCT GROUP

REV

ISSUE DATE

TFT-LCD PRODUCT

B

2007.04.27

- Note :
1. Viewing angle is the angle at which the contrast ratio is greater than 10. The viewing are determined for the horizontal or 3, 9 o'clock direction and the vertical or 6, 12 o'clock direction with respect to the optical axis which is normal to the LCD surface . (see FIGURE 1)
 2. Contrast measurements shall be made at viewing angle of $\Theta = 0^\circ$ and at the center of the LCD surface. Luminance shall be measured with all pixels in the view field set first to white, then to the dark (black) state. (See FIGURE 1)
Luminance Contrast Ratio (CR) is defined mathematically.

$$CR = \frac{\text{Luminance when displaying a white raster}}{\text{Luminance when displaying a black raster}}$$

3. Center Luminance of white is defined as luminance values of 5 point average across the LCD surface. Luminance shall be measured with all pixels in the view field set first to white. This measurement shall be taken at the locations shown in FIGURE 2 for a total of the measurements per display.
4. The White luminance uniformity on LCD surface is then expressed. (See FIGURE 2)

$$\text{Uniformity } \Delta Y = \frac{\text{Minimum Luminance of 5(or 13) points}}{\text{Maximum Luminance of 5(or 13) points}} \times 100 (\%)$$

5. The color chromaticity coordinates specified in Table 4 shall be calculated from the spectral data measured with all pixels first in red, green, blue and white. Measurements shall be made at the center of the panel.
6. The electro-optical response time measurements shall be made as FIGURE 3 by switching the "data" input signal OFF and ON. The times needed for the luminance to change from 10% to 90% is T_r , and 90% to 10% is T_d .
7. Cross-Talk of one area of the LCD surface by another shall be measured by comparing the luminance (YA) of a 25mm diameter area, with all display pixels set to a gray level, to the luminance (YB) of that same area when any adjacent area is driven dark. (See FIGURE 4).

SPEC. NUMBER
S864-1264

SPEC. TITLE
HT121WX2-103 Product Specification

PAGE
9 / 27

Figure 1. Measurement Set Up

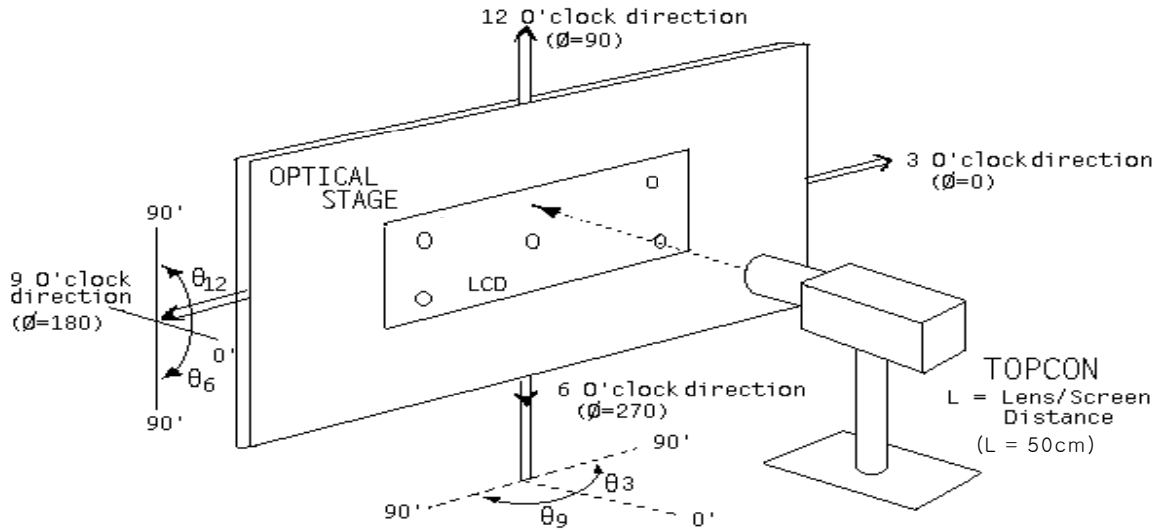


Figure 2. Average Luminance Measurement Locations & Uniformity Measurement Locations

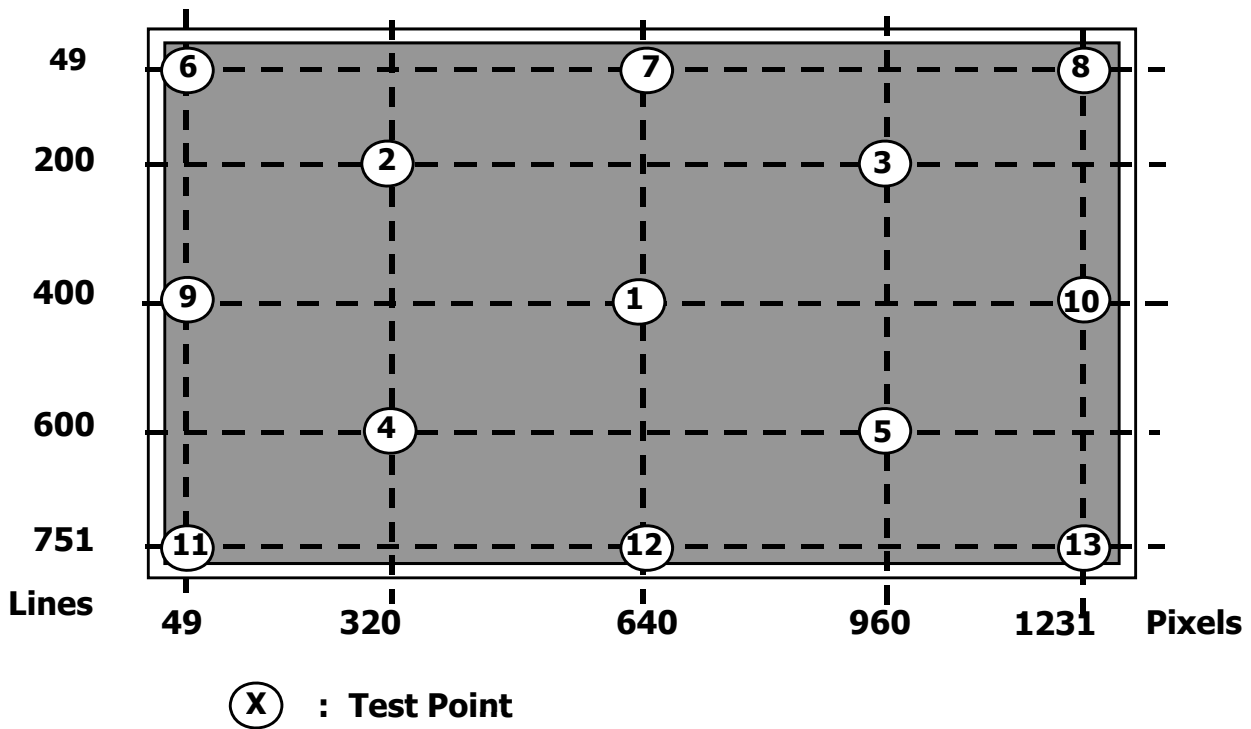


Figure 3. Response Time Testing

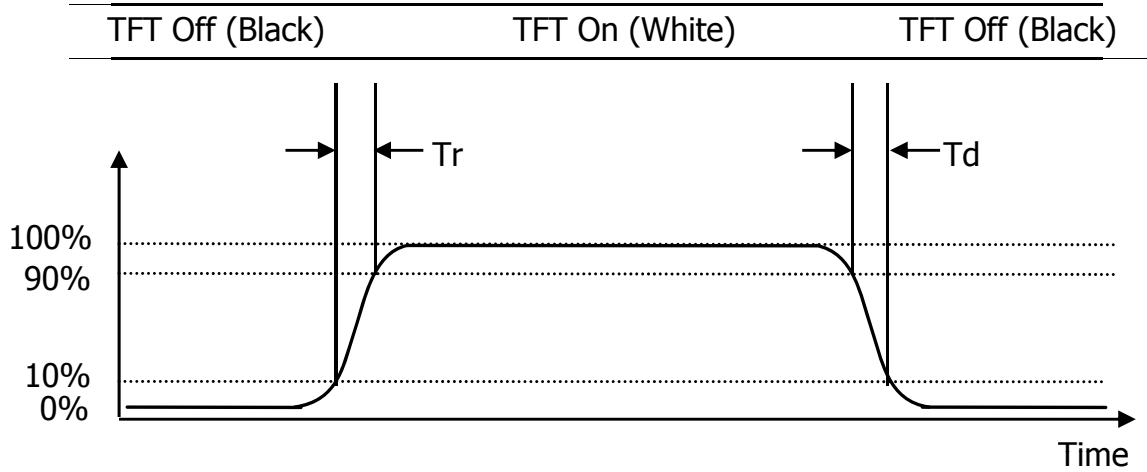
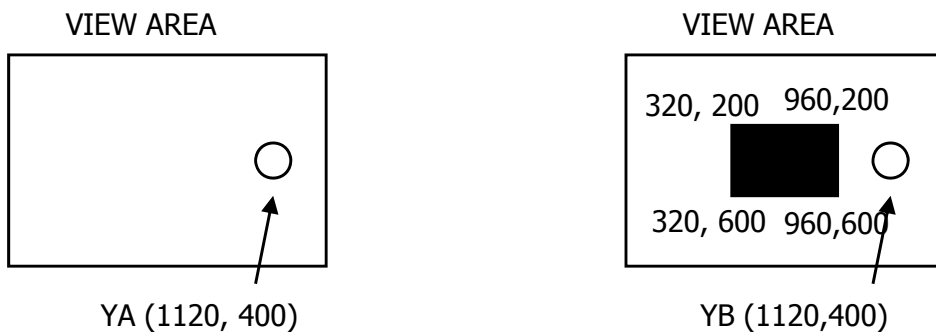


Figure 4. Cross Modulation Test Description



$$\text{Cross-Talk} = \frac{Y_B - Y_A}{Y_A} \times 100$$

Where: Y_A = Initial luminance of measured area (cd/m²)

Y_B = Subsequent luminance of measured area (cd/m²)

The location measured will be exactly the same in both patterns.



PRODUCT GROUP

REV

ISSUE DATE

TFT-LCD PRODUCT

B

2007.04.27

5.0 INTERFACE CONNECTION

5.1 Electrical Interface

| | | |
|-----|---------------------|-------------------------------------|
| CN1 | Interface Connector | DF19L-14P-1H (HIROSE) or equivalent |
| | User side Connector | DF19G-14S-1C (HIROSE) or equivalent |

| PIN NO. | SYMBOL | FUNCTION | REMARK |
|---------|----------|--------------------------------|-------------|
| 1 | VSS | Ground | |
| 2 | VDD1 | Power Supply: +3.3V | |
| 3 | VDD2 | Power Supply: +3.3V | |
| 4 | Vdd_EDID | EDID +3.3V | |
| 5 | NC | Reserved | |
| 6 | Clk_EDID | EDID Clk | |
| 7 | Clk_Data | EDID Data | |
| 8 | RIN0- | LVDS Negative data signal (-) | Tx pin # 48 |
| 9 | RIN0+ | LVDS Positive data signal (+) | Tx pin # 47 |
| 10 | VSS | Ground | Tx pin # 46 |
| 11 | RIN1- | LVDS Negative data signal (-) | Tx pin # 45 |
| 12 | RIN1+ | LVDS Positive data signal (+) | Tx pin # 42 |
| 13 | VSS | Ground | Tx pin # 41 |
| 14 | RIN2- | LVDS Negative data signal (-) | Tx pin # 40 |
| 15 | RIN2+ | LVDS Positive data signal (+) | Tx pin # 39 |
| 16 | VSS | Ground | |
| 17 | RCLKIN- | LVDS Negative clock signal (-) | |
| 18 | RCLKIN+ | LVDS Positive clock signal (+) | |
| 19 | VSS | Ground | |
| 20 | VSS | Ground | |

5.2 Back-light Interface

| | | |
|-----|---------------------|----------------------------------|
| CN1 | Interface Connector | BHSR-02VS-1 (JST) or equivalent |
| | User side Connector | SM02B-BHSS-1 (JST) or equivalent |

| PIN NO. | INPUT | FUNCTION | REMARK |
|---------|-------|--------------|--------|
| 1 | HOT | High voltage | Pink |
| 2 | COLD | Ground | Black |

SPEC. NUMBER
S864-1264

SPEC. TITLE
HT121WX2-103 Product Specification

PAGE
12 / 27

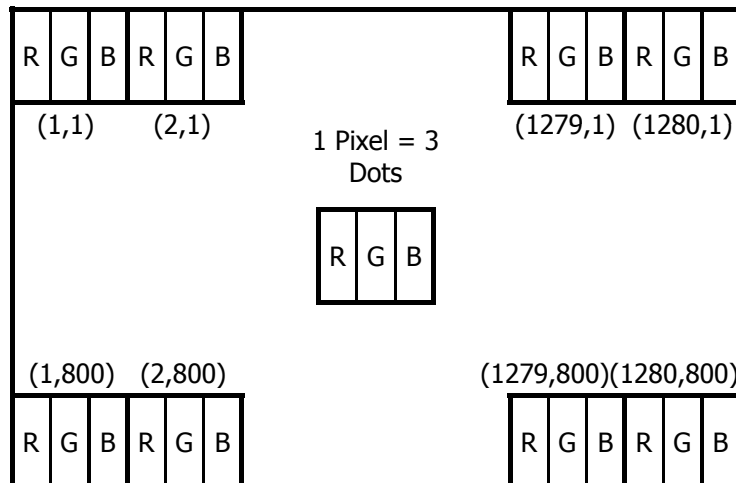
5.3 LVDS Interface

LVDS Transmitter : THC63LVDM83A or equivalent

| INPUT SIGNAL | TRANSMITTER | | INTERFACE | | DF19KR-20P-1H | REMARK |
|--------------|-------------|----------|----------------|--------------|---------------|--------|
| | PIN NO. | PIN NO. | SYSTEM (Tx) | TFT-LCD (Rx) | PIN NO. | |
| R0 | 51 | 48 47 | OUT0- OUT0+ | IN0- IN0+ | 5 6 | |
| R1 | 52 | | | | | |
| R2 | 54 | | | | | |
| R3 | 55 | | | | | |
| R4 | 56 | | | | | |
| R5 | 3 | | | | | |
| G0 | 4 | 46 45 | OUT1- OUT1+ | IN1- IN1+ | 8 9 | |
| G1 | 6 | | | | | |
| G2 | 7 | | | | | |
| G3 | 11 | | | | | |
| G4 | 12 | | | | | |
| G5 | 14 | | | | | |
| B0 | 15 | 42 41 | OUT2- OUT2+ | IN2- IN2+ | 11 12 | |
| B1 | 19 | | | | | |
| B2 | 20 | | | | | |
| B3 | 22 | | | | | |
| B4 | 23 | | | | | |
| B5 | 24 | | | | | |
| HSYNC | 27 | 40 | CLKOUT- | CLKIN- | 14 | |
| VSYNC | 28 | | | | | |
| DE | 30 | | | | | |
| MCLK | 31 | 39 | CLKOUT+ | CLKIN+ | 15 | |

5.4 Data Input Format

Display position of input data



6.0 SIGNAL TIMING SPECIFICATION

6.1 LVDS Transmitter Input

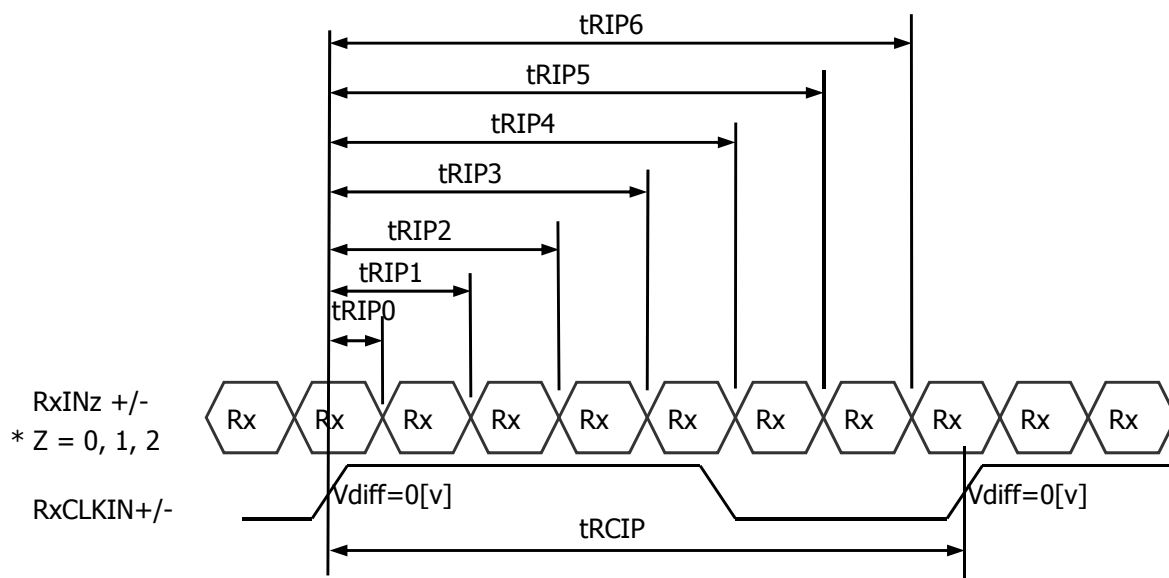
The 12.1" WXGA LCM is operated by the only DE (Data enable) mode.

| ITEM | SYMBOL | MIN | TYP | MAX | UNIT |
|---------------------------|--------|------|-------|-----|--------|
| Frame Period | T1 | 804 | 823 | - | lines |
| Vertical Display Period | T2 | - | 800 | - | lines |
| One Line Scanning Period | T3 | 1350 | 1440 | - | clocks |
| Horizontal Display Period | T4 | - | 1280 | - | clocks |
| Clock Frequency | 1/T5 | - | 71.11 | - | MHz |

6.2 LVDS Rx Interface Timing Parameter

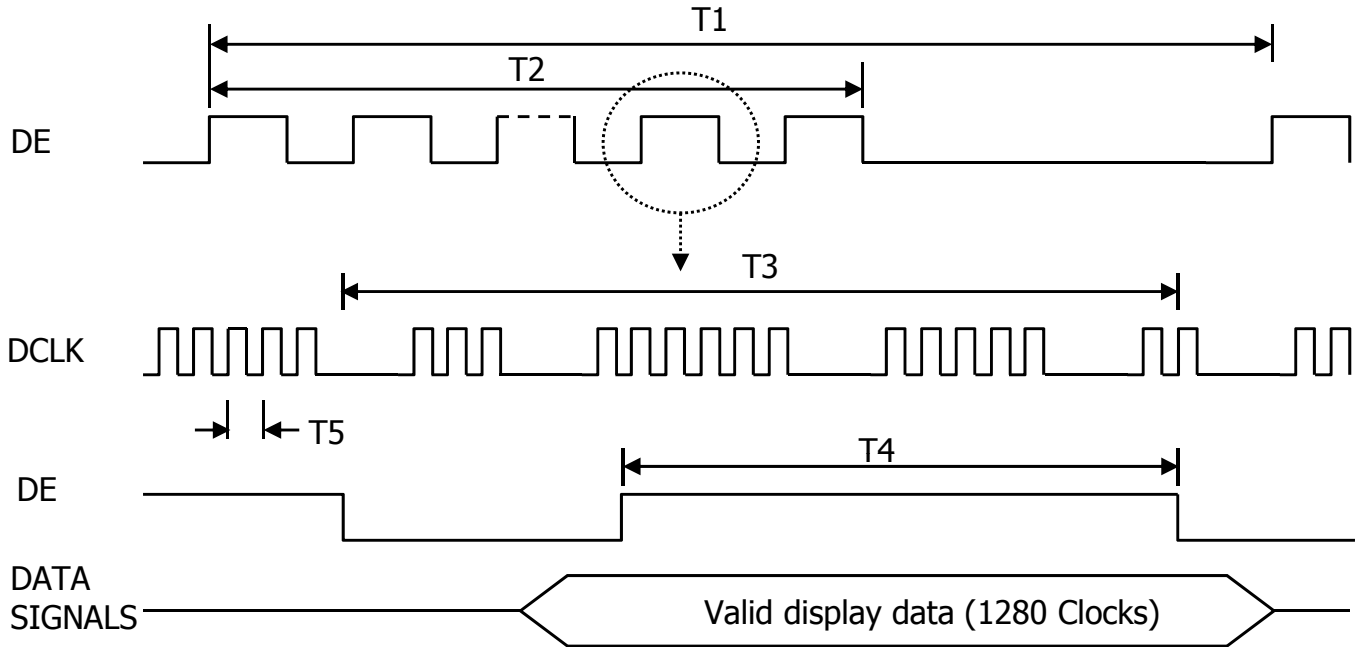
| ITEM | SYMBOL | MIN | TYP | MAX | UNIT | REMARK |
|--------------|--------|-----------------|-------------|-----------------|------|--------|
| CLKIN Period | tRCIP | 12.5 | 14.06 | 25.00 | nsec | |
| Input Data 0 | tRIP0 | -0.4 | 0.0 | +0.4 | nsec | |
| Input Data 1 | tRIP1 | tRCIP/7-0.4 | tRCIP/7 | tRCIP/7+0.4 | nsec | |
| Input Data 2 | tRIP2 | 2 × tRCIP/7-0.4 | 2 × tRCIP/7 | 2 × tRCIP/7+0.4 | nsec | |
| Input Data 3 | tRIP3 | 3 × tRCIP/7-0.4 | 3 × tRCIP/7 | 3 × tRCIP/7+0.4 | nsec | |
| Input Data 4 | tRIP4 | 4 × tRCIP/7-0.4 | 4 × tRCIP/7 | 4 × tRCIP/7+0.4 | nsec | |
| Input Data 5 | tRIP5 | 5 × tRCIP/7-0.4 | 5 × tRCIP/7 | 5 × tRCIP/7+0.4 | nsec | |
| Input Data 6 | tRIP6 | 6 × tRCIP/7-0.4 | 6 × tRCIP/7 | 6 × tRCIP/7+0.4 | nsec | |

* Vdiff = (RINz+)-(RINz-), (RCLKIN+)-(RCLKIN-)



7.0 SIGNAL TIMING WAVEFORMS OF INTERFACE SIGNAL (DE MODE)

7.1 Timing Waveforms of Interface Signal





PRODUCT GROUP

REV

ISSUE DATE

TFT-LCD PRODUCT

B

2007.04.27

8.0 INPUT SIGNALS, BASIC DISPLAY COLORS & GRAY SCALE OF COLORS

Each color is displayed in sixty-four gray scales from a 6 bit data signal input. A total of 262,144 colors are derived from the resultant 18 bit data.

| Colors & Gray Scale | | Red Data | | | | | | Green Data | | | | | | Blue Data | | | | | |
|-----------------------------|----------|----------|----|----|----|----|----|------------|----|----|----|----|----|-----------|----|----|----|----|----|
| | | R5 | R4 | R3 | R2 | R1 | R0 | G5 | G4 | G3 | G2 | G1 | G0 | B5 | B4 | B3 | B2 | B1 | B0 |
| Basic Colors | Black | 0 | 0 | 0 | 0 | 0 | 0 | 0 | 0 | 0 | 0 | 0 | 0 | 0 | 0 | 0 | 0 | 0 | 0 |
| | Blue | 0 | 0 | 0 | 0 | 0 | 0 | 0 | 0 | 0 | 0 | 0 | 0 | 1 | 1 | 1 | 1 | 1 | 1 |
| | Green | 0 | 0 | 0 | 0 | 0 | 0 | 1 | 1 | 1 | 1 | 1 | 1 | 0 | 0 | 0 | 0 | 0 | 0 |
| | Cyan | 0 | 0 | 0 | 0 | 0 | 0 | 1 | 1 | 1 | 1 | 1 | 1 | 1 | 1 | 1 | 1 | 1 | 1 |
| | Red | 1 | 1 | 1 | 1 | 1 | 1 | 0 | 0 | 0 | 0 | 0 | 0 | 0 | 0 | 0 | 0 | 0 | 0 |
| | Magenta | 1 | 1 | 1 | 1 | 1 | 1 | 0 | 0 | 0 | 0 | 0 | 0 | 1 | 1 | 1 | 1 | 1 | 1 |
| | Yellow | 1 | 1 | 1 | 1 | 1 | 1 | 1 | 1 | 1 | 1 | 1 | 1 | 0 | 0 | 0 | 0 | 0 | 0 |
| | White | 1 | 1 | 1 | 1 | 1 | 1 | 1 | 1 | 1 | 1 | 1 | 1 | 1 | 1 | 1 | 1 | 1 | 1 |
| Gray Scale Of Red | Black | 0 | 0 | 0 | 0 | 0 | 0 | 0 | 0 | 0 | 0 | 0 | 0 | 0 | 0 | 0 | 0 | 0 | 0 |
| | △ | 0 | 0 | 0 | 0 | 0 | 1 | 0 | 0 | 0 | 0 | 0 | 0 | 0 | 0 | 0 | 0 | 0 | 0 |
| | Darker | 0 | 0 | 0 | 0 | 1 | 0 | 0 | 0 | 0 | 0 | 0 | 0 | 0 | 0 | 0 | 0 | 0 | 0 |
| | △ | ↓ | | | | | | ↓ | | | | | | ↓ | | | | | |
| | ▽ | ↓ | | | | | | ↓ | | | | | | ↓ | | | | | |
| | Brighter | 1 | 1 | 1 | 1 | 0 | 1 | 0 | 0 | 0 | 0 | 0 | 0 | 0 | 0 | 0 | 0 | 0 | 0 |
| | ▽ | 1 | 1 | 1 | 1 | 1 | 0 | 0 | 0 | 0 | 0 | 0 | 0 | 0 | 0 | 0 | 0 | 0 | 0 |
| | Red | 1 | 1 | 1 | 1 | 1 | 1 | 0 | 0 | 0 | 0 | 0 | 0 | 0 | 0 | 0 | 0 | 0 | 0 |
| Gray Scale Of Green | Black | 0 | 0 | 0 | 0 | 0 | 0 | 0 | 0 | 0 | 0 | 0 | 0 | 0 | 0 | 0 | 0 | 0 | 0 |
| | △ | 0 | 0 | 0 | 0 | 0 | 0 | 0 | 0 | 0 | 0 | 0 | 1 | 0 | 0 | 0 | 0 | 0 | 0 |
| | Darker | 0 | 0 | 0 | 0 | 0 | 0 | 0 | 0 | 0 | 0 | 1 | 0 | 0 | 0 | 0 | 0 | 0 | 0 |
| | △ | ↓ | | | | | | ↓ | | | | | | ↓ | | | | | |
| | ▽ | ↓ | | | | | | ↓ | | | | | | ↓ | | | | | |
| | Brighter | 0 | 0 | 0 | 0 | 0 | 0 | 1 | 1 | 1 | 1 | 0 | 1 | 0 | 0 | 0 | 0 | 0 | 0 |
| | ▽ | 0 | 0 | 0 | 0 | 0 | 0 | 1 | 1 | 1 | 1 | 1 | 0 | 0 | 0 | 0 | 0 | 0 | 0 |
| | Green | 0 | 0 | 0 | 0 | 0 | 0 | 1 | 1 | 1 | 1 | 1 | 1 | 0 | 0 | 0 | 0 | 0 | 0 |
| Gray Scale Of Blue | Black | 0 | 0 | 0 | 0 | 0 | 0 | 0 | 0 | 0 | 0 | 0 | 0 | 0 | 0 | 0 | 0 | 0 | 0 |
| | △ | 0 | 0 | 0 | 0 | 0 | 0 | 0 | 0 | 0 | 0 | 0 | 0 | 0 | 0 | 0 | 0 | 0 | 1 |
| | Darker | 0 | 0 | 0 | 0 | 0 | 0 | 0 | 0 | 0 | 0 | 0 | 0 | 0 | 0 | 0 | 0 | 1 | 0 |
| | △ | ↓ | | | | | | ↓ | | | | | | ↓ | | | | | |
| | ▽ | ↓ | | | | | | ↓ | | | | | | ↓ | | | | | |
| | Brighter | 0 | 0 | 0 | 0 | 0 | 0 | 0 | 0 | 0 | 0 | 0 | 0 | 1 | 1 | 1 | 1 | 0 | 1 |
| | ▽ | 0 | 0 | 0 | 0 | 0 | 0 | 0 | 0 | 0 | 0 | 0 | 0 | 1 | 1 | 1 | 1 | 1 | 0 |
| | Blue | 0 | 0 | 0 | 0 | 0 | 0 | 0 | 0 | 0 | 0 | 0 | 0 | 1 | 1 | 1 | 1 | 1 | 1 |
| Gray Scale Of White & Black | Black | 0 | 0 | 0 | 0 | 0 | 0 | 0 | 0 | 0 | 0 | 0 | 0 | 0 | 0 | 0 | 0 | 0 | 0 |
| | △ | 0 | 0 | 0 | 0 | 0 | 1 | 0 | 0 | 0 | 0 | 0 | 1 | 0 | 0 | 0 | 0 | 0 | 1 |
| | Darker | 0 | 0 | 0 | 0 | 1 | 0 | 0 | 0 | 0 | 0 | 1 | 0 | 0 | 0 | 0 | 0 | 1 | 0 |
| | △ | ↓ | | | | | | ↓ | | | | | | ↓ | | | | | |
| | ▽ | ↓ | | | | | | ↓ | | | | | | ↓ | | | | | |
| | Brighter | 1 | 1 | 1 | 1 | 0 | 1 | 1 | 1 | 1 | 1 | 0 | 1 | 1 | 1 | 1 | 1 | 0 | 1 |
| | ▽ | 1 | 1 | 1 | 1 | 1 | 0 | 1 | 1 | 1 | 1 | 1 | 0 | 1 | 1 | 1 | 1 | 1 | 0 |
| | White | 1 | 1 | 1 | 1 | 1 | 1 | 1 | 1 | 1 | 1 | 1 | 1 | 1 | 1 | 1 | 1 | 1 | 1 |

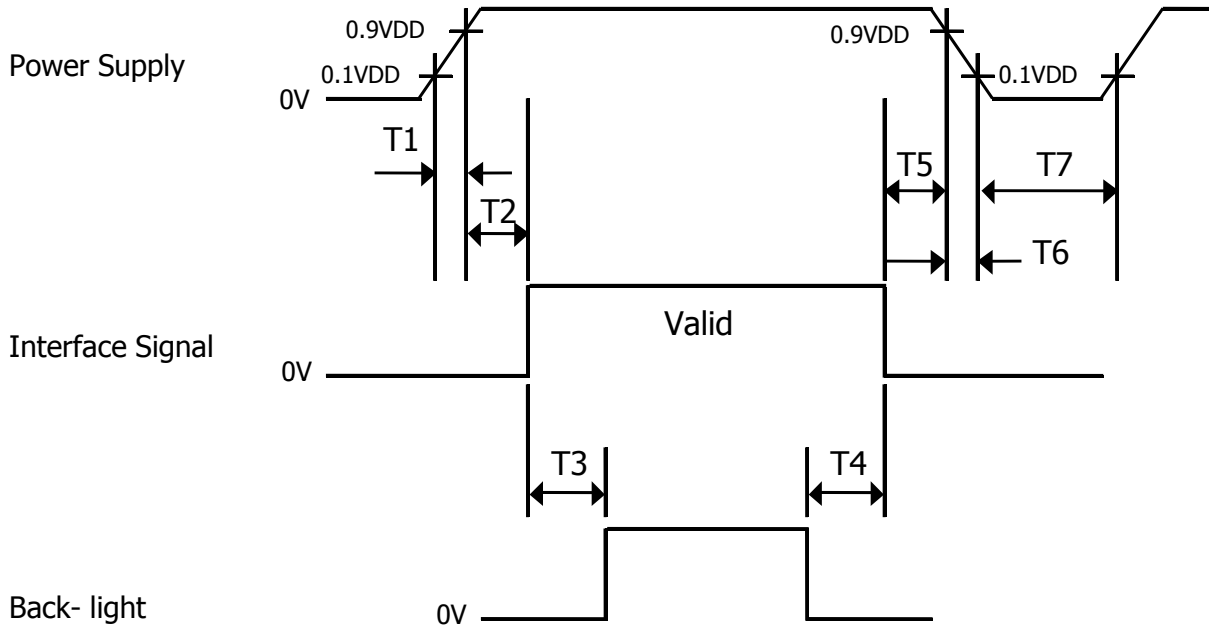
SPEC. NUMBER
S864-1264

SPEC. TITLE
HT121WX2-103 Product Specification

PAGE
146 ~~137~~

9.0 POWER SEQUENCE

To prevent a latch-up or DC operation of the LCD module, the power on/off sequence shall be as shown in below



- 1) $0 < T1 \leq 10 \text{ ms}$
- 2) $0 < T2 \leq 50 \text{ ms}$
- 3) $200 \text{ ms} \leq T3$
- 4) $200 \text{ ms} \leq T4$
- 5) $0 \leq T5 \leq 50 \text{ ms}$
- 6) $0 \leq T6 \leq 10 \text{ ms}$
- 7) $150 \text{ ms} \leq T7$

- Notes :
1. When the power supply VDD is 0V, Keep the level of input signals on the low or keep high impedance.
 2. Do not keep the interface signal high impedance when power is on.
 3. Back Light must be turn on after power for logic and interface signal are valid.



PRODUCT GROUP

REV

ISSUE DATE

TFT-LCD PRODUCT

B

2007.04.27

10.0 MECHANICAL CHARACTERISTICS

10.1 Dimensional Requirements

FIGURE 5, 6 shown in appendix shows mechanical outlines for the model.

| PARAMETER | SPECIFICATION | UNIT |
|---------------------|---|--------|
| Active area | 261.12 (H) × 163.20 (V) | mm |
| Number of pixels | 1280 (H) × 800 (V) (1 pixel = R + G + B dots) | pixels |
| Pixel pitch | 0.2055 (H) × 0.2055 (V) | mm |
| Pixel arrangement | RGB Vertical stripe | |
| Display colors | 262,144 | colors |
| Display mode | Normally White | |
| Dimensional outline | 275.8±0.5(W) x 178.0±0.5(V) x 4.9Typ.(D) (5.2Max) | mm |
| Weight | 260 Typ. / 270 Max. | g |
| Back-light | CCFL, horizontal-lamp type | |

10.2 Mounting

See FIGURE 5. (shown in Appendix)

10.3 Glare Polarizer

The surface of the LCD has an glare coating.

10.4 Light Leakage

There shall not be visible light from the back-lighting system around the edges of the screen as seen from a distance 50 cm from the screen with an overhead light level of 150lux. The manufacture shall furnish limit samples of the panel showing the light leakage acceptable.

SPEC. NUMBER
S864-1264

SPEC. TITLE
HT121WX2-103 Product Specification

PAGE
18 / 27



PRODUCT GROUP

REV

ISSUE DATE

TFT-LCD PRODUCT

B

2007.04.27

11.0 RELIABILITY TEST

| NO | TEST ITEM | CONDITIONS |
|----|--|---|
| 1 | High temperature storage test | Ta = 60 °C, 240 hrs |
| 2 | Low temperature storage test | Ta = -20 °C, 240 hrs |
| 3 | High temperature & high humidity operation test | Ta = 50 °C, 80%RH, 240hrs |
| 4 | High temperature operation test | Ta = 50 °C, 240 hrs |
| 5 | Low temperature operation test | Ta = 0 °C, 240 hrs |
| 6 | Thermal shock | Ta = -20 °C ↔ 60 °C (30 min), 100 cycle |
| 7 | Vibration test (non-operating) | Frequency : 10~500Hz Gravity/AMP : 1.5G Period : X,Y,Z 30min |
| 8 | Shock test (non-operating) | Gravity : 220G Pulse width : 2ms, half sine wave ±X, ±Y, ±Z Once for each direction |
| 9 | Electro-Static Discharge Test (non-operating) | Air : 150pF, 330ohm, 15KV Contact : 150pF, 330ohm, 8KV |

SPEC. NUMBER
S864-1264

SPEC. TITLE
HT121WX2-103 Product Specification

PAGE
19 / 27



12.0 HANDLING & CAUTIONS

12.1 Cautions when taking out the module

- 1) Pick the pouch only, when taking out module from a shipping package.

12.2 Cautions for handling the module

- 1) As the electrostatic discharges may break the LCD module, handle the LCD module with care. Peel a protection sheet off from the LCD panel surface as slowly as possible.
- 2) As the LCD panel and backlight element are made from fragile glass material, impulse and pressure to the LCD module should be avoided.
- 3) As the surface of the polarizer is very soft and easily scratched, use a soft dry cloth without chemicals for cleaning.
- 4) Do not pull the interface connector in or out while the LCD module is operating.
- 5) Put the module display side down on a flat horizontal plane.
- 6) Handle connectors and cables with care.

12.3 Cautions for the operation

- 1) When the module is operating, do not lose MCLK, DE signals. If any one of these signals were lost, the LCD panel would be damaged.
- 2) Obey the supply voltage sequence. If wrong sequence were applied, the module would be damaged.

12.4 Cautions for the atmosphere

- 1) Dewdrop atmosphere should be avoided.
- 2) Do not store and/or operate the LCD module in a high temperature and/or humidity atmosphere. Storage in an electro-conductive polymer-packing pouch and under relatively low temperature atmosphere is recommended.

12.5 Cautions for the module characteristics

- 1) Do not apply fixed pattern data signal to the LCD module at product aging.
- 2) Applying fixed pattern for a long time may cause image sticking.

12.6 Other cautions

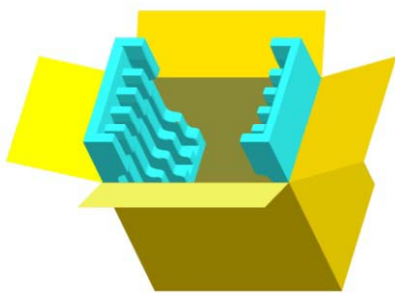
- 1) Do not disassemble and/or re-assemble LCD module.
- 2) Do not re-adjust variable resistor or switch etc.
- 3) When returning the module for repair or etc, please pack the module not to be broken.
- 4) We recommend using the original shipping packages.

13.0 PACKING

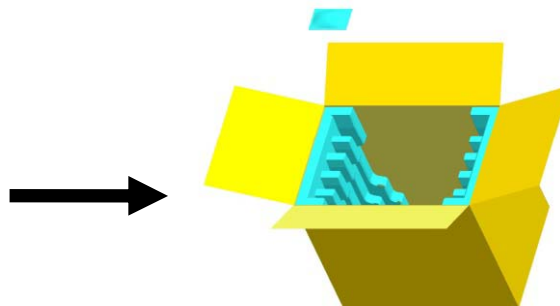
13.1 Packing Order

- Notes : 1. Box Dimension: 261mm(W) X 349mm(D) X 311mm(H)
 2. Package Quantity in one Box: 10pcs

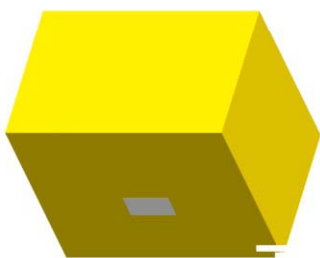
Put Pad into the box.



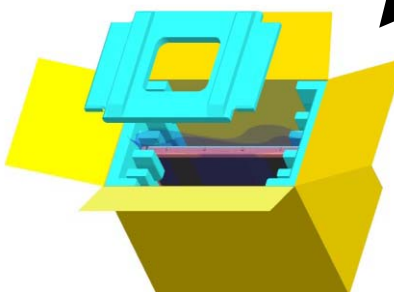
Put silica gels in the box.



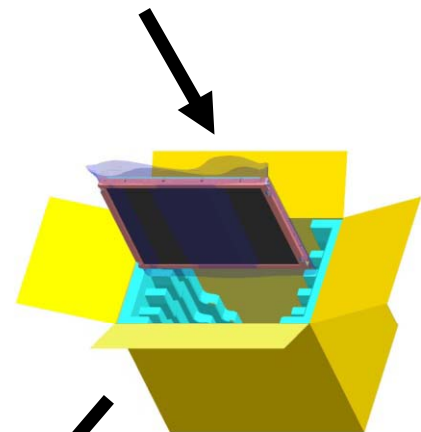
After sealing the box, attach Packing Label on the attach position sign area of the box.



Place a cover on the top of the box.



As shown in the figure, place the Modules bundled by shielding bag in the box.



14.0 Environment & Safety

14.1 Packing Label

1) Label Size: 108 mm (L) × 56 mm (W)

2) Contents

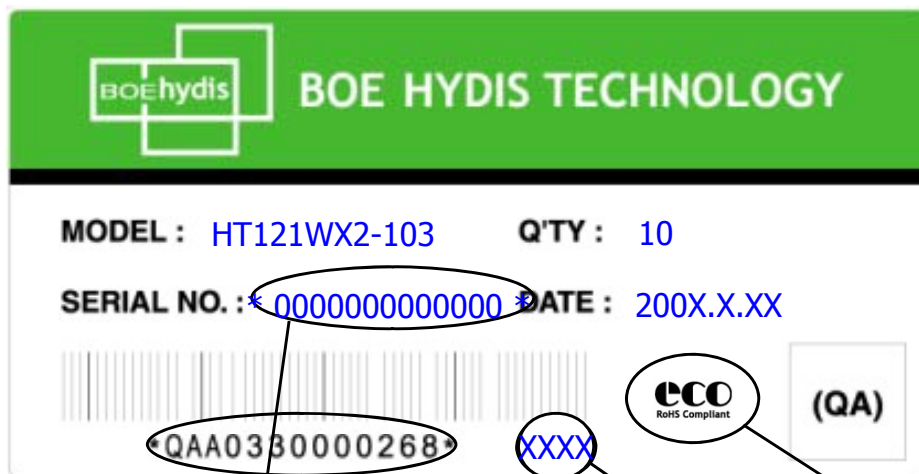
Model : HT121WX2-103

Q`ty : Module Q`ty in one box

Serial No. : Box Serial No. See next figure for detail description.

Date : Packing Date

FG Code : FG Code of Product




| | | | | | |
|------|-------|------|-------|-----------|-----------|
| 00 | 0 | 00 | 0 | 0 | 000000 |
| Type | Grade | Year | Month | ITEM-CODE | Serial_no |

FG CODE

RoHS Mark

14.2 Mercury disposal & High voltage caution

| | | |
|---|---|---|
|  | <p>HIGH VOLTAGE CAUTION</p> | <p>COLD CATHODE FLUORESCENT LAMP IN LCD PANEL CONTAINS A SMALL AMOUNT OF MERCURY. PLEASE FOLLOW LOCAL ORDINANCES OR REGULATIONS FOR DISPOSAL.</p> |
| | <p>RISK OF ELECTRIC SHOCK. DISCONNECT THE ELECTRIC POWER BEFORE SERVICING</p> | |

14.3 Product Label

1) Picture



Barcode

2) BOE HYDIS Barcode

No 1. Control Number

No 2. Rank / Grade

No 3. Line Classification (BOE HYDIS : H, LCM : L, BOE OT : A/B/C)

No 4. Year (5 : 2005, 6 : 2006, ...)

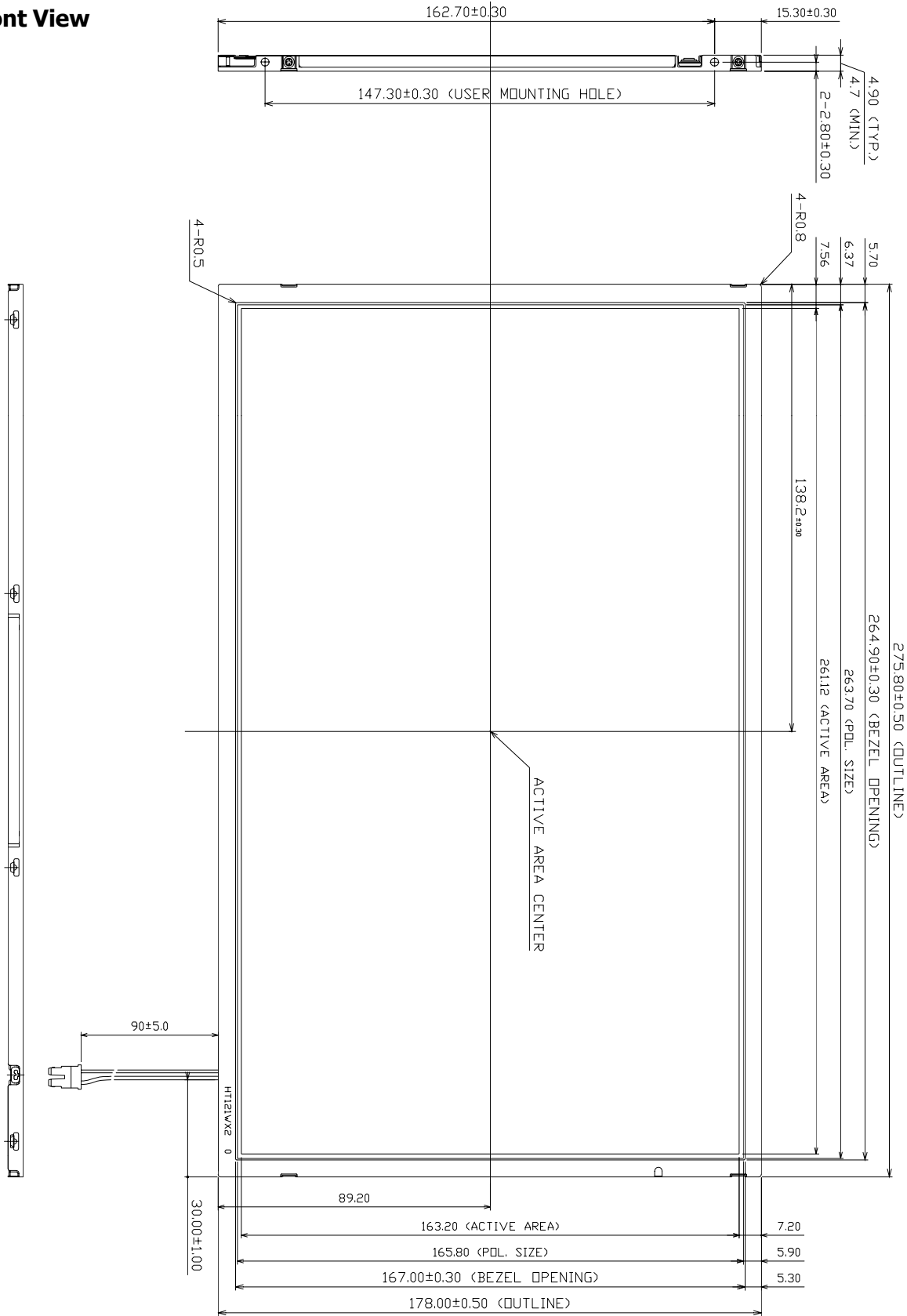
No 5. Month (1, 2, 3, ..., 9, X, Y, Z)

No 6. FG Code

No 7. Serial Number

15.0 TFT-LCD Module Outline Dimensions

15.1 Font View





PRODUCT GROUP

REV

ISSUE DATE

TFT-LCD PRODUCT

B

2007.04.27

15.0 EDID Data

| Add | Function | Hex | Input Value | Add | Function | Hex | Input Value |
|-----|------------------------|-----|-------------|-----|---|-----|---|
| 00 | Header | 00 | EDID | 20 | Blue y high bits | 25 | 0.145 |
| 01 | | FF | | 21 | White x high bits | 50 | 0.313 |
| 02 | | FF | | 22 | White y high bits | 54 | 0.329 |
| 03 | | FF | | 23 | Established timing 1 | 00 | |
| 04 | | FF | | 24 | Established timing 2 | 00 | |
| 05 | | FF | | 25 | Established timing 3 | 00 | |
| 06 | | FF | | 26 | Standard timing #1 | 01 | Not Used |
| 07 | | 00 | | 27 | | 01 | |
| 08 | ID Manufacturer Name | 09 | BOE | 28 | Standard timing #2 | 01 | Not Used |
| 09 | | E5 | | 29 | | 01 | |
| 0A | ID Product Code | B3 | 1203 | 2A | Standard timing #3 | 01 | Not Used |
| 0B | | 04 | | 2B | | 01 | |
| 0C | 32-bit serial No. | 00 | | 2C | Standard timing #4 | 01 | Not Used |
| 0D | | 00 | | 2D | | 01 | |
| 0E | | 00 | | 2E | Standard timing #5 | 01 | Not Used |
| 0F | | 00 | | 2F | | 01 | |
| 10 | Week of manufacture | 00 | 0 | 30 | Standard timing #6 | 01 | Not Used |
| 11 | Year of Manufacture | 0F | 2005 | 31 | | 01 | |
| 12 | EDID Structure Ver. | 01 | 1 | 32 | Standard timing #7 | 01 | Not Used |
| 13 | EDID revision # | 03 | 3 | 33 | | 01 | |
| 14 | Video input definition | 80 | | 34 | Standard timing #8 | 01 | Not Used |
| 15 | Max H image size | 1A | 26 | 35 | | 01 | |
| 16 | Max V image size | 10 | 16 | 36 | Detailed timing / monitor descriptor #1 | C6 | . Main clock : 71.1MHz . Hor. Active : 1280 . Hor. Blanking : 160 . 4 bits of Hor. Active + . 4 bits of Hor. Blanking . Ver. Active : 800 . Ver. Blanking : 23 . 4 bits of Ver. Active + . 4 bits of Ver. Blanking . Hor. Sync Offset : 48 . H sync Pulse Width : 32 . V sync Offset : 3 line . V Sync Pulse width : 6 line |
| 17 | Display Gamma | 78 | 2.2 | 37 | | 1B | |
| 18 | Feature support | 0A | RGB mode | 38 | | 00 | |
| 19 | Red/Green low bits | E8 | | 39 | | A0 | |
| 1A | Blue/White low bits | 80 | | 3A | | 50 | |
| 1B | Red x high bits | 96 | 0.589 | 3B | | 20 | |
| 1C | Red y high bits | 54 | 0.331 | 3C | | 17 | |
| 1D | Green x high bits | 4D | 0.303 | 3D | | 30 | |
| 1E | Green y high bits | 8A | 0.540 | 3E | 30 | | |
| 1F | Blue x high bits | 25 | 0.147 | 3F | 20 | | |

SPEC. NUMBER
S864-1264

SPEC. TITLE
HT121WX2-103 Product Specification

PAGE
26 / 27



PRODUCT GROUP

REV

ISSUE DATE

TFT-LCD PRODUCT

B

2007.04.27

| Add | Function | Hex | Input Value | Add | Function | Hex | Input Value |
|-----|---|-----|--|-----|---|-----|---------------------------|
| 40 | Detailed timing / monitor descriptor #1 | 36 | Horizontal Image Size : 261 mm (Low 8 bits) Vertical Image Size : 163 mm (Low 8 bits) 4 bits of Hor. Image Size + 4 bits of Ver. Image Size Hor. Border : 0 pixel Vertical Border : 0 line | 60 | Detailed timing / monitor descriptor #3 | 4F | Company name : BOE HYDIS |
| 41 | | 00 | | 61 | | 45 | |
| 42 | | 05 | | 62 | | 20 | |
| 43 | | A3 | | 63 | | 48 | |
| 44 | | 10 | | 64 | | 59 | |
| 45 | | 00 | | 65 | | 44 | |
| 46 | | 00 | | 66 | | 49 | |
| 47 | | 19 | | 67 | | 53 | |
| 48 | Detailed timing / monitor descriptor #2 | 00 | | 68 | Detailed timing / monitor descriptor #4 | 0A | Model nave : HT121WX2-102 |
| 49 | | 00 | | 69 | | 20 | |
| 4A | | 00 | | 6A | | 20 | |
| 4B | | FE | | 6B | | 20 | |
| 4C | | 00 | | 6C | | 00 | |
| 4D | | 0A | | 6D | | 00 | |
| 4E | | 20 | | 6E | | 00 | |
| 4F | | 20 | | 6F | | FE | |
| 50 | | 20 | | 70 | | 00 | |
| 51 | | 20 | | 71 | | 48 | |
| 52 | | 20 | | 72 | | 54 | |
| 53 | | 20 | | 73 | | 31 | |
| 54 | 20 | 74 | 32 | | | | |
| 55 | 20 | 75 | 31 | | | | |
| 56 | 20 | 76 | 57 | | | | |
| 57 | 20 | 77 | 58 | | | | |
| 58 | 20 | 78 | 32 | | | | |
| 59 | 20 | 79 | 2D | | | | |
| 5A | Detailed timing / monitor descriptor #3 | 00 | | 7A | Extension flag | 31 | |
| 5B | | 00 | | 7B | | 30 | |
| 5C | | 00 | | 7C | | 33 | |
| 5D | | FE | | 7D | | 0A | |
| 5E | | 00 | | 7E | | 00 | |
| 5F | | 42 | | 7F | | 2B | |
| | | | | | Checksum | | |

SPEC. NUMBER
S864-1264

SPEC. TITLE
HT121WX2-103 Product Specification

PAGE
27 / 27