



**PROPRIETARY NOTE**

THIS SPECIFICATION IS THE PROPERTY OF BOE-HYDIS AND SHALL NOT BE REPRODUCED OR COPIED WITHOUT THE WRITTEN PERMISSION OF BOE-HYDIS AND MUST BE RETURNED TO BOE-HYDIS UPON ITS REQUEST.

**TITLE: HT17E12-200 Product Specification  
(for Customer)**

Rev. A

**BOE-HYDIS TECHNOLOGY CO., LTD.**

<b>SPEC. NUMBER</b>	<b>PRODUCT GROUP</b>	<b>REV.</b>	<b>ISSUE DATE</b>	<b>PAGE</b>
S864-1118	TFT-LCD PRODUCT	A	2002.10.31	1 OF 24



**PRODUCT GROUP**

**REV.**

**ISSUE DATE**

TFT-LCD PRODUCT

A

2002.10.31

**REVISION HISTORY**

REV.	ECN NO.	DESCRIPTION OF CHANGES	DATE	PREPARED
0		Initial Release	02.10.12	S.S.YUN
A	E210-F005	Change the mechanical tolerance of user hole. Insert viewing angle spec when CR>5 . Change the CR typical value. Insert typical value of lamp start up voltage. Notice 6 bit FRC driving method.	02.10.31	Y.W.SON
<b>SPEC. NUMBER</b> S864-1118		<b>SPEC. TITLE</b> HT17E12-200 Product Specification		<b>PAGE</b> 2 OF 24

**PRODUCT GROUP****REV.****ISSUE DATE**

TFT-LCD PRODUCT

A

2002.10.31

**Contents**

No.	Item	Page
1.0	General Description	4
2.0	Absolute Maximum Ratings	6
3.0	Electrical Specifications	7
4.0	Optical Specifications	8
5.0	Interface Connection	10
6.0	Signal Timing Specifications	12
7.0	Signal Timing Waveforms of interface signal	14
8.0	Input Signals, Display Colors & Gray Scale of Colors	15
9.0	Power Sequence	16
10.0	Mechanical Characteristics	17
11.0	Reliability Test	18
12.0	Handling & Cautions	19
13.0	Product Serial Number	20
14.0	Appendix	21

**SPEC. NUMBER**

S864-1118

**SPEC. TITLE**

HT17E12-200 Product Specification

**PAGE**

3 OF 24



**PRODUCT GROUP**

**REV.**

**ISSUE DATE**

TFT-LCD PRODUCT

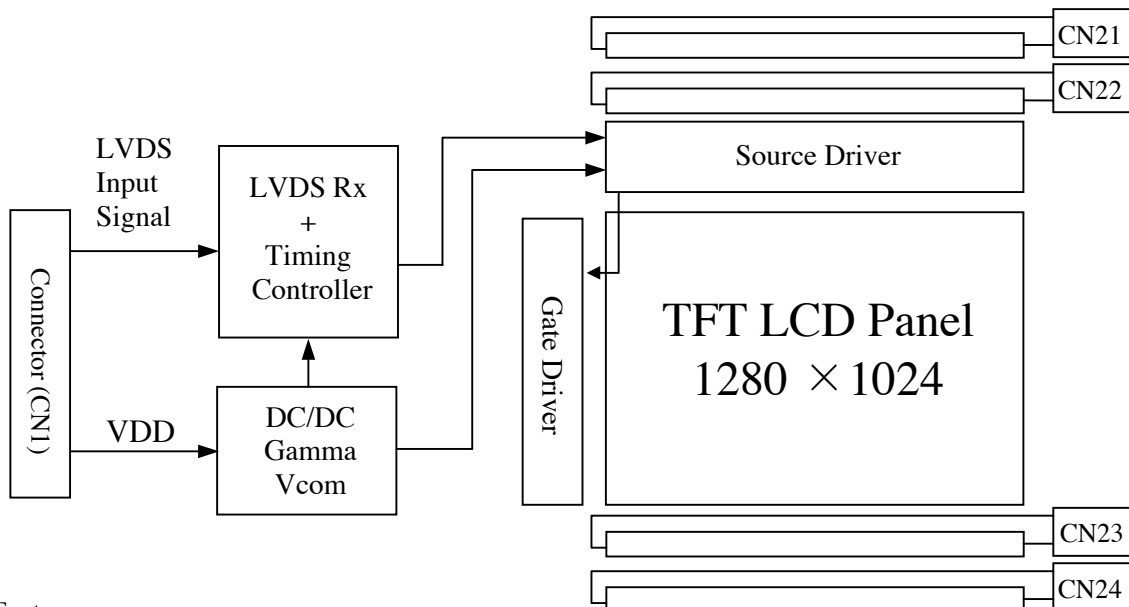
A

2002.10.31

**1.0 GENERAL DESCRIPTION**

**1.1 Introduction**

HT17E12-200 is a color active matrix TFT LCD module using amorphous silicon TFT's (Thin Film Transistors) as an active switching devices. This module has a 17.0 inch diagonally measured active area with SXGA resolutions (1280 horizontal by 1024 vertical pixel array). Each pixel is divided into RED, GREEN, BLUE dots which are arranged in vertical stripe and this module can display 16,194,227 colors. The TFT-LCD panel used for this module is adapted for a low reflection and higher color type.



**1.2 Features**

- LVDS Interface with 2 pixel / clock
- High-speed response
- Low power consumption
- 6-bit (FRC) color depth, display 16,194,227 colors
- Incorporated edge type back-light (Four lamps)
- High luminance and contrast ratio, low reflection and wide viewing angle
- DE (Data Enable) mode

**1.3 Applications**

- Desktop Type of PC & Workstation Use
- Slim-Size Display for Stand-alone Monitor
- Display Terminals for Control System
- Monitors for Process Controller

**SPEC. NUMBER**

S864-1118

**SPEC. TITLE**

HT17E12-200 Product Specification

**PAGE**

4 OF 24

**PRODUCT GROUP****REV.****ISSUE DATE**

TFT-LCD PRODUCT

A

2002.10.31

## 1.4 General Specifications

The followings are general specifications at the model HT17E12-200

&lt;Table 1. General Specifications&gt;

Parameter	Specification	Unit	Remarks
Active area	337.92 (H) × 270.336(V)	mm	
Number of pixels	1280(H) × 1024(V)	pixels	
Pixel pitch	0.264(H) × 0.264(V)	mm	
Pixel arrangement	RGB Vertical stripe		
Display colors	16,194,227	colors	
Display mode	Normally White		
Dimensional outline	358.5(H) × 296.5(V) × 17.0(D) typ.	mm	
Weight	1900 max.	gram	
Back-light	Top/Bottom edge side 4-CCFL type		Note 1

Note: 1. CCFL (Cold Cathode Fluorescent Lamp)

**SPEC. NUMBER**

S864-1118

**SPEC. TITLE**

HT17E12-200 Product Specification

**PAGE**

5 OF 24



**PRODUCT GROUP**

**REV.**

**ISSUE DATE**

TFT-LCD PRODUCT

A

2002.10.31

**2.0 ABSOLUTE MAXIMUM RATINGS**

The followings are maximum values which, if exceed, may cause faulty operation or damage to the unit. The operational and non-operational maximum voltage and current values are listed in Table 2.

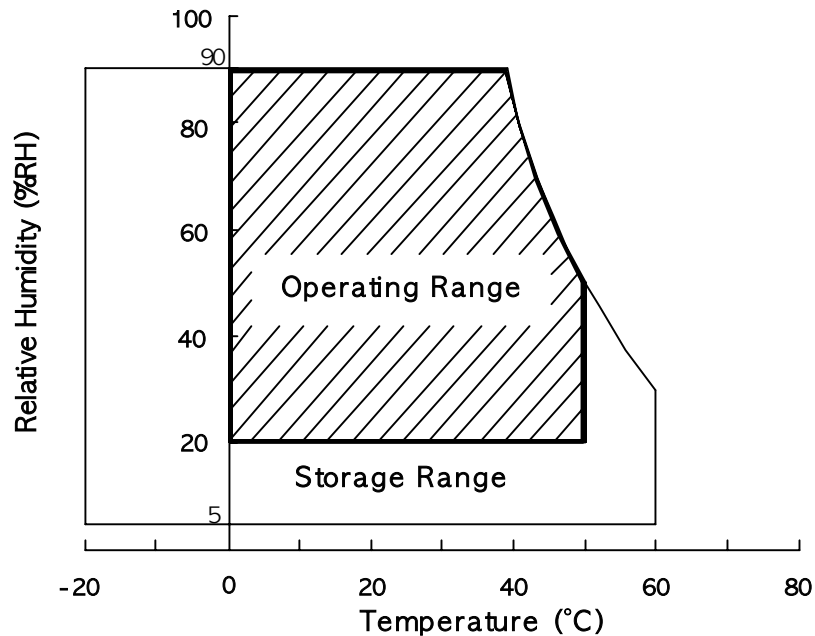
<Table 2. Absolute Maximum Ratings>

[VSS = GND =0V]

Parameter	Symbol	Min	Max	Unit	Remarks
Power Input Voltage	V <sub>DD</sub>	VSS-0.5	6.5	V	Ta = 25°C
Logic Input Voltage	V <sub>IN</sub>	VSS-0.3	V <sub>DD</sub> +0.3	V	
Back-light Lamp Current	I <sub>BL</sub>	3	7	mA	
Back-light lamp Frequency	F <sub>L</sub>	30	(80)	KHz	
Operating Temperature	T <sub>OP</sub>	0	+50	°C	1)
Storage Temperature	T <sub>ST</sub>	-20	+60	°C	1)

Notes :

- 1) Temperature and relative humidity range are shown in the figure below.  
Wet bulb temperature should be 39°C max. and no condensation of water.



**SPEC. NUMBER**

S864-1118

**SPEC. TITLE**

HT17E12-200 Product Specification

**PAGE**

6 OF 24



**PRODUCT GROUP**

**REV.**

**ISSUE DATE**

TFT-LCD PRODUCT

A

2002.10.31

**3.0 ELECTRICAL SPECIFICATIONS**

< Table 3. Electrical specifications >

[Ta = 25 ± 2°C ]

Parameter		Min	Typ	Max	Unit	Remarks
Power Supply Voltage	V <sub>DD</sub>	4.5	5.0	5.5	V	Note1
Power Supply Current	I <sub>DD</sub>	-	580	700	mA	
Permissible Input Ripple Voltage	V <sub>RF</sub>			100	mV	V <sub>DD</sub> = 5.0V
High Level Differential Input Threshold Voltage	V <sub>IH</sub>		-	+100	mV	V <sub>cm</sub> = 1.2V typ.
Low Level Differential Input Threshold Voltage	V <sub>IL</sub>	-100	-		mV	
Back-light Lamp Voltage	V <sub>BL</sub>	690	700	840	V <sub>rms</sub>	
Back-light Lamp Current	I <sub>BL</sub>	3.0	6.5	7.0	mA <sub>rms</sub>	
Back-light Lamp operating Frequency	F <sub>L</sub>	30	-	70	KHz	Note 2
Lamp Start Voltage			940	1170	V <sub>rms</sub>	25°C , Note 3
			1340	1570	V <sub>rms</sub>	0°C , Note 3
Lamp Life		40000	50000		hrs	I <sub>BL</sub> = 6.5mA
Power Consumption		P <sub>D</sub>	2.9		W	
		P <sub>BL</sub>	18.2		W	I <sub>BL</sub> = 6.5mA, Note 4
		P <sub>total</sub>	21.1		W	

Notes:

1. The supply voltage is measured and specified at the interface connector of LCM. The current draw and power consumption specified is for V<sub>DD</sub> = 5.0V, Frame rate= 75Hz and Clock frequency = 67.5MHz. Test Pattern of power supply current
  - a) Typ : Black pattern
  - b) Max : Dot pattern
2. The lamp frequency should be selected as different as possible from the horizontal synchronous frequency and its harmonics to avoid interference, which may cause line flow on the display
3. The voltage above this value should be applied to the lamps for more than 1 second to start-up. Otherwise the lamps may not be turned on.
4. Calculated value for reference (V<sub>BL</sub> × I<sub>BL</sub>) × 4 excluding inverter loss.

**SPEC. NUMBER**

S864-1118

**SPEC. TITLE**

HT17E12-200 Product Specification

**PAGE**

7 OF 24



**PRODUCT GROUP**

**REV.**

**ISSUE DATE**

TFT-LCD PRODUCT

A

2002.10.31

**4.0 OPTICAL SPECIFICATIONS**

4.1 Overview

The test of Optical specifications shall be measured in a dark room (ambient luminance  $\leq 1$  lux and temperature =  $25 \pm 2^\circ\text{C}$ ) with the equipment of Luminance meter system (Goniometer system and TOPCON BM-5) and test unit shall be located at an approximate distance 50cm from the LCD surface at a viewing angle of  $\theta$  and  $\phi$  equal to  $0^\circ$ . We refer to  $\theta_{\phi=0}$  ( $=\theta_3$ ) as the 3 o'clock direction (the "right"),  $\theta_{\phi=90}$  ( $=\theta_{12}$ ) as the 12 o'clock direction ("upward"),  $\theta_{\phi=180}$  ( $=\theta_9$ ) as the 9 o'clock direction ("left") and  $\theta_{\phi=270}$  ( $=\theta_6$ ) as the 6 o'clock direction ("bottom"). While scanning  $\theta$  and/or  $\phi$ , the center of the measuring spot on the display surface shall stay fixed. The measurement shall be executed after 30 minutes warm-up period. VDD shall be 5.0V +/- 10% at  $25^\circ\text{C}$ . Optimum viewing angle direction is 6 o'clock.

4.2 Optical Specifications

[VDD=5.0V, Frame rate=60Hz, Clock=54MHz,  $I_{BL} = 6.5\text{mA}$ ,  $T_a = 25 \pm 2^\circ\text{C}$  ]

Parameter		Symbol	Condition	Min	Typ	Max	Unit	Remark
Viewing Angle	Horizontal	$\theta_3$	CR > 10	75	80	-	Deg	Note 1
		$\theta_9$		75	80	-	Deg	
	Vertical	$\theta_{12}$		60	65	-	Deg	
		$\theta_6$		60	65	-	Deg	
	Horizontal	$\theta_3$	CR > 5	80	85	-	Deg	
		$\theta_9$		80	85	-	Deg	
	Vertical	$\theta_{12}$		70	75	-	Deg	
		$\theta_6$		70	75	-	Deg	
Luminance contrast ratio		CR		350	430	-		Note 2
Luminance of white		$Y_w$		200	250	-	$\text{cd/m}^2$	Note 3
White luminance uniformity		$\Delta Y$		-	-	1.2		Note 4
Reproduction of color	White	$W_x$	$\theta = 0^\circ$ (Center) Normal Viewing Angle	0.270	0.300	0.330		Note 5
		$W_y$		0.305	0.335	0.365		
	Red	$R_x$		0.599	0.629	0.659		
		$R_y$		0.324	0.354	0.384		
	Green	$G_x$		0.257	0.287	0.317		
		$G_y$		0.568	0.598	0.628		
	Blue	$B_x$		0.115	0.145	0.175		
		$B_y$		0.073	0.103	0.133		
Response time		Tr		-	5	30	msec	Note 6
		Td		-	15			
Cross talk		CT		-	-	2.0	%	Note 7

**SPEC. NUMBER**

S864-1118

**SPEC. TITLE**

HT17E12-200 Product Specification

**PAGE**

8 OF 24





**PRODUCT GROUP**

**REV.**

**ISSUE DATE**

TFT-LCD PRODUCT

A

2002.10.31

Note:

1. Viewing angle is the angle at which the contrast ratio is greater than 10. The viewing are determined for the horizontal or 3, 9 o'clock direction and the vertical or 6, 12 o'clock direction with respect to the optical axis which is normal to the LCD surface.
2. Contrast measurements shall be made at viewing angle of  $\theta = 0^\circ$  and at the center of the LCD surface. Luminance shall be measured with all pixels in the view field set first to white, then to the dark (black) state. (See FIGURE 1 shown in Appendix) Luminance Contrast Ratio (CR) is defined mathematically.

$$CR = \frac{\text{Luminance when displaying a white raster}}{\text{Luminance when displaying a black raster}}$$

3. Center Luminance of white is defined as the LCD surface. Luminance shall be measured with all pixels in the view field set first to white. This measurement shall be taken at the locations shown in FIGURE 2 for a total of the measurements per display.
4. The White luminance uniformity on LCD surface is then expressed as :  $\Delta Y = \text{Maximum Luminance of five points} / \text{Minimum Luminance of five points}$  (See FIGURE 2 shown in Appendix).
5. The color chromaticity coordinates specified in Table 4. shall be calculated from the spectral data measured with all pixels first in red, green, blue and white. Measurements shall be made at the center of the panel.
6. The electro-optical response time measurements shall be made as FIGURE 3 shown in Appendix by switching the "data" input signal ON and OFF. The times needed for the luminance to change from 10% to 90% is Td, and 90% to 10% is Tr.
7. Cross-Talk of one area of the LCD surface by another shall be measured by comparing the luminance ( $Y_A$ ) of a 25mm diameter area, with all display pixels set to a gray level, to the luminance ( $Y_B$ ) of that same area when any adjacent area is driven dark. (See FIGURE 4 shown in Appendix).

**SPEC. NUMBER**

S864-1118

**SPEC. TITLE**

HT17E12-200 Product Specification

**PAGE**

9 OF 24



**PRODUCT GROUP**

**REV.**

**ISSUE DATE**

TFT-LCD PRODUCT

A

2002.10.31

**5.0 INTERFACE CONNECTION**

5.1 Electrical Interface Connection

- CN11: Module Side Connector : FI-XB30S-HF (JAE) or Equivalent  
User Side Connector : FI-X30H-HF (JAE) or equivalent

Pin No	Symbol	Function	Remark
1	RX00-	LVDS ODD 0 – SIGNAL	
2	RX00+	LVDS ODD 0 + SIGNAL	
3	RX01-	LVDS ODD 1 – SIGNAL	
4	RX01+	LVDS ODD 1 + SIGNAL	
5	RX02-	LVDS ODD 2 – SIGNAL	
6	RX02+	LVDS ODD 2 + SIGNAL	
7	GND	GROUND	
8	RXOCLK-	LVDS ODD CLOCK – SIGNAL	
9	RXOCLK+	LVDS ODD CLCOK + SIGNAL	
10	RX03-	LVDS ODD 3 – SIGNAL	
11	RX03+	LVDS ODD 3 + SIGNAL	
12	RXE0-	LVDS EVEN 0 – SIGNAL	
13	RXE0+	LVDS EVEN 0 + SIGNAL	
14	GND	GROUND	
15	RXE1-	LVDS EVEN 1 – SIGNAL	
16	RXE1+	LVDS EVEN 1 + SIGNAL	
17	GND	GROUND	
18	RXE2-	LVDS EVEN 2 – SIGNAL	
19	RXE2+	LVDS EVEN 2 + SIGNAL	
20	RXECLK-	LVDS EVEN CLOCK – SIGNAL	
21	RXECLK+	LVDS EVEN CLOCK + SIGNAL	
22	RXE3-	LVDS EVEN 3 – SIGNAL	
23	RXE3+	LVDS EVEN 3 + SIGNAL	
24	GND	GROUND	
25	NC	NO CONECTION	
26	DE	NO CONECTION	
27	NC	NO CONECTION	
28	VDD	POWER SUPPLY (+5.0V)	
29	VDD		
30	VDD		

**SPEC. NUMBER**

S864-1118

**SPEC. TITLE**

HT17E12-200 Product Specification

**PAGE**

10 OF 24



**PRODUCT GROUP**

**REV.**

**ISSUE DATE**

TFT-LCD PRODUCT

A

2002.10.31

5.2 LVDS Interface (Tx : THC63LVDF83A or Equivalent)

	Input signal	Transmitter		Interface		FI-X30S-HF	Remark		
		Pin No	Pin No	System (Tx)	TFT-LCD (Rx)	Pin No.			
O D D  L V D S	OR0	51	48 47	OUT0- OUT0+	RXO0- RXO0+	1 2			
	OR1	52							
	OR2	54							
	OR3	55							
	OR4	56							
	OR5	3							
	OG0	4	46 45	OUT1- OUT1+	RXO1- RXO1+	3 4			
	OG1	6							
	OG2	7							
	OG3	11							
	OG4	12							
	OG5	14							
	OB0	15	42 41	OUT2- OUT2+	RXO2- RXO2+	5 6			
	OB1	19							
	OB2	20							
	OB3	22							
	OB4	23							
	OB5	24							
	HSYNC	27	40 39	CLKOUT- CLKOUT+	RXO CLK- RXO CLK+	8 9			
	VSYNC	28							
DE	30	38 37	OUT3+ OUT3-	RXO3- RXO3+	10 11				
MCLK	31								
OR6	50								
OR7	2								
OG6	8								
OG7	10								
OB6	16	42 41	OUT2- OUT2+	RXE2- RXE2+	18 19				
OB7	18								
RSVD	25								
E V E N  L V D S	ER0				51	48 47	OUT0- OUT0+	RXE0- RXE0+	12 13
	ER1				52				
	ER2				54				
	ER3	55							
	ER4	56							
	ER5	3							
	EG0	4	46 45	OUT1- OUT1+	RXE1- RXE1+	15 16			
	EG1	6							
	EG2	7							
	EG3	11							
	EG4	12							
	EG5	14							
	EB0	15	40 39	CLKOUT- CLKOUT+	RXE CLK- RXE CLK+	20 21			
	EB1	19							
	EB2	20							
	EB3	22							
	EB4	23							
	EB5	24							
	HSYNC	27	38 37	OUT3+ OUT3-	RXE3- RXE3+	22 23			
	VSYNC	28							
DE	30								
MCLK	31								
ER6	50								
ER7	2								
EG6	8								
EG7	10								
EB6	16								
EB7	18								
RSVD	25								

**SPEC. NUMBER**

S864-1118

**SPEC. TITLE**

HT17E12-200 Product Specification

**PAGE**

11 OF 24



**PRODUCT GROUP**

**REV.**

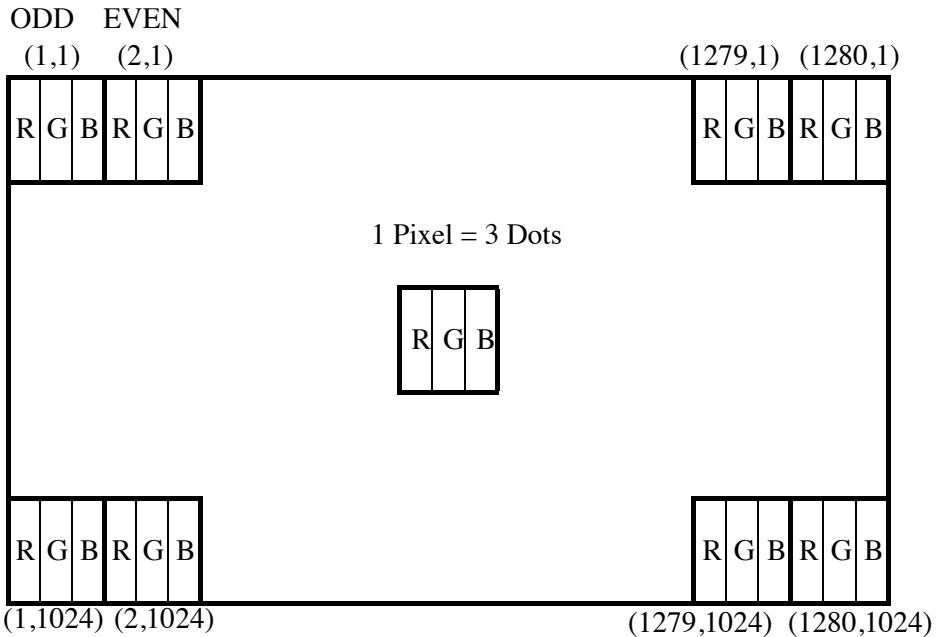
**ISSUE DATE**

TFT-LCD PRODUCT

A

2002.10.31

**5.3 Data Input Format**



Display Position of Input Data (V-H)

**5.4 Back-light Interface Connection**

- CN21, 22, 23, 24: Module side connector : BHSR-02VS-1 (JST)  
User side connector : SM02B-BHSS-1-TB (JST) or equivalent

Pin No	INPUT	Color	Function
1	HOT	Pink & White	High voltage
2	COLD	Black & White	Ground

**6.0 SIGNAL TIMING SPECIFICATIONS**

6.1 The HT17E12-200 is operated by the only DE (Data enable) mode (LVDS Transmitter Input)

Item	Symbols	Min	Typ	Max	Unit	
Clock	Frequency	1/Tc	40	54	68	MHz
	High Time	Tch	5	-	-	ns
	Low Time	Tcl	5	-	-	ns
Data	Setup Time	Tds	4	-	-	ns
	Hold Time	Tdh	4	-	-	ns
Data Enable Setup Time	Tes	4	-	-	ns	
Frame Period	Tv	1032	1066	1536	lines	
		13.33	16.67	-	msec	
Vertical Display Period	Tvd	-	1024	-	lines	
One Line Scanning Period	Th	672	844	1022	clocks	
Horizontal Display Period	Thd	640	640	640	clocks	

**SPEC. NUMBER**

**SPEC. TITLE**

**PAGE**

S864-1118

HT17E12-200 Product Specification

12 OF 24



**PRODUCT GROUP**

**REV.**

**ISSUE DATE**

TFT-LCD PRODUCT

A

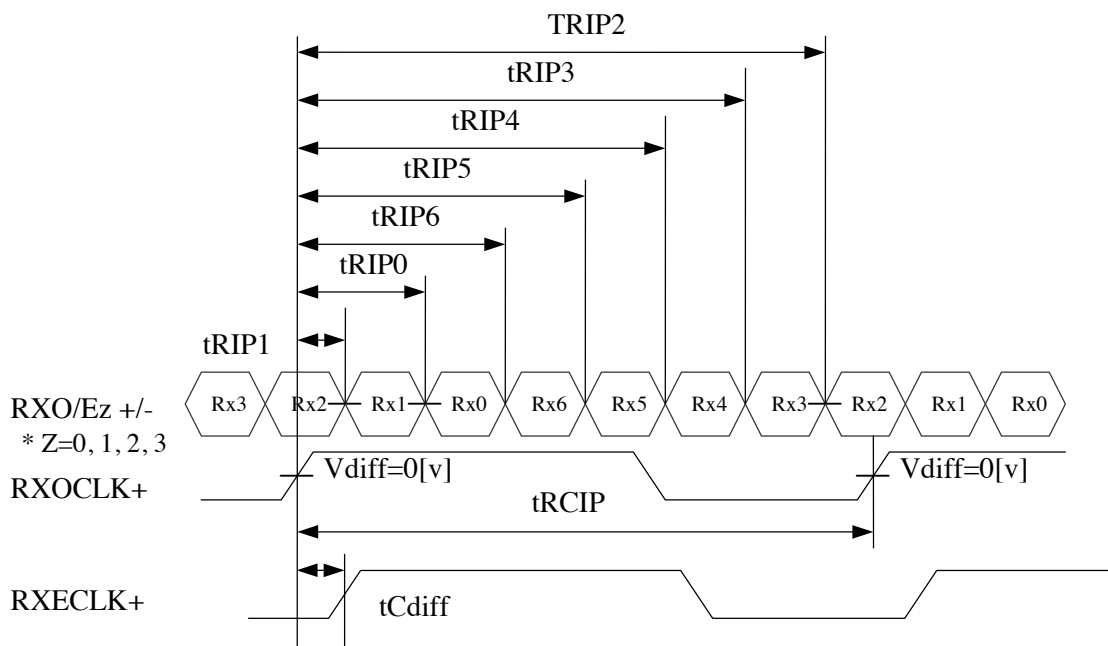
2002.10.31

6.2 LVDS Rx interface timing parameter

The specification of the LVDS Rx interface timing parameter is shown in Table 4.

< Table 4. LVDS Rx Interface Timing Specification >

Item	Symbol	Min	Typ	Max	Unit	Remark
CLKIN Period	tRCIP	14.7	18.5	-	nsec	
CLK Difference	tCdiff	-tRCIP*(3/7)	0	+tRCIP*(3/7)	nsec	
Input Data 0	tRIP1	-0.4	0	+0.4	nsec	
Input Data 1	tRIP0	1*tRCIP/7-0.4	1*tRCIP/7	1*tRCIP/7+0.4	nsec	
Input Data 2	tRIP6	2*tRCIP/7-0.4	2*tRCIP/7	2*tRCIP/7+0.4	nsec	
Input Data 3	tRIP5	3*tRCIP/7-0.4	3*tRCIP/7	3*tRCIP/7+0.4	nsec	
Input Data 4	tRIP4	4*tRCIP/7-0.4	4*tRCIP/7	4*tRCIP/7+0.4	nsec	
Input Data 5	tRIP3	5*tRCIP/7-0.4	5*tRCIP/7	5*tRCIP/7+0.4	nsec	
Input Data 6	tRIP2	6*tRCIP/7-0.4	6*tRCIP/7	6*tRCIP/7+0.4	nsec	



\*  $V_{diff} = (RXO/Ez+) - (RXO/Ez-), \dots, (RXO/ECLK+) - (RXO/ECLK-)$

**SPEC. NUMBER**

S864-1118

**SPEC. TITLE**

HT17E12-200 Product Specification

**PAGE**

13 OF 24



**PRODUCT GROUP**

**REV.**

**ISSUE DATE**

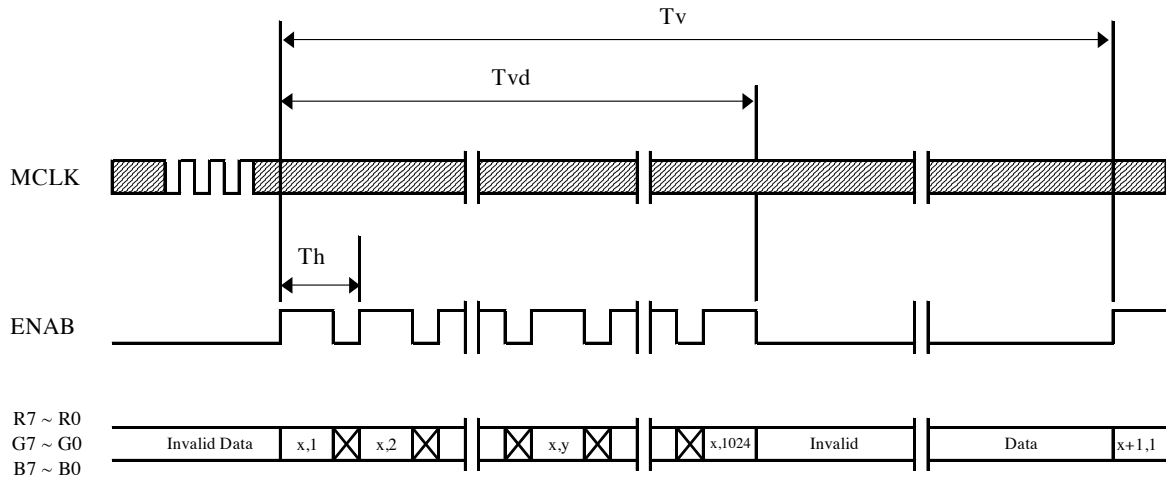
TFT-LCD PRODUCT

A

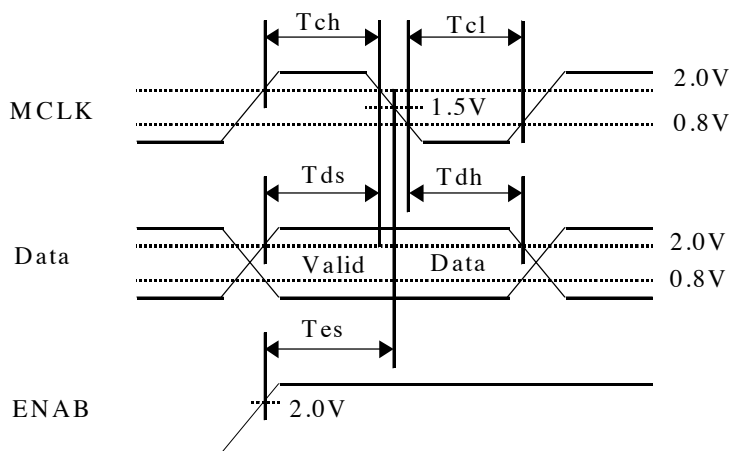
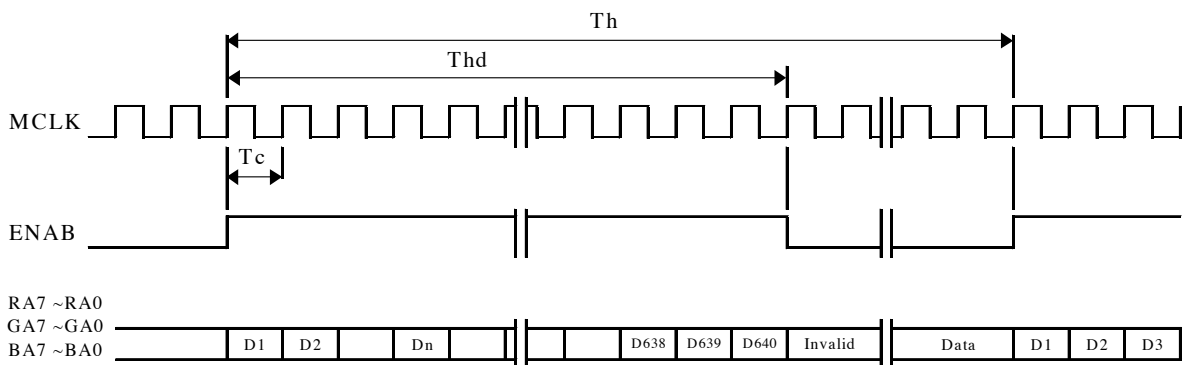
2002.10.31

**7.0 SIGNAL TIMING WAVEFORMS OF INTERFACE SIGNAL**

**7.1 Vertical Timing Waveforms**



**7.2 Horizontal Timing Waveforms**



**SPEC. NUMBER**

S864-1118

**SPEC. TITLE**

HT17E12-200 Product Specification

**PAGE**

14 OF 24



**PRODUCT GROUP**

**REV.**

**ISSUE DATE**

TFT-LCD PRODUCT

A

2002.10.31

**8.0 INPUT SIGNALS, BASIC DISPLAY COLORS & GRAY SCALE OF COLORS**

Colors & Gray Scale		Red data								Green data								Blue data							
		R7	R6	R5	R4	R3	R2	R1	R0	G7	G6	G5	G4	G3	G2	G1	G0	B7	B6	B5	B4	B3	B2	B1	B0
Basic Colors	Black	0	0	0	0	0	0	0	0	0	0	0	0	0	0	0	0	0	0	0	0	0	0	0	0
	Blue	0	0	0	0	0	0	0	0	0	0	0	0	0	0	0	0	1	1	1	1	1	1	1	1
	Green	0	0	0	0	0	0	0	0	1	1	1	1	1	1	1	1	0	0	0	0	0	0	0	0
	Cyan	0	0	0	0	0	0	0	0	1	1	1	1	1	1	1	1	1	1	1	1	1	1	1	1
	Red	1	1	1	1	1	1	1	1	0	0	0	0	0	0	0	0	0	0	0	0	0	0	0	0
	Magenta	1	1	1	1	1	1	1	1	0	0	0	0	0	0	0	0	0	0	1	1	1	1	1	1
	Yellow	1	1	1	1	1	1	1	1	1	1	1	1	1	1	1	1	0	0	0	0	0	0	0	0
	White	1	1	1	1	1	1	1	1	1	1	1	1	1	1	1	1	1	1	1	1	1	1	1	1
Gray Scale Of Red	Black	0	0	0	0	0	0	0	0	0	0	0	0	0	0	0	0	0	0	0	0	0	0	0	
	△	0	0	0	0	0	0	1	0	0	0	0	0	0	0	0	0	0	0	0	0	0	0	0	
	Darker	0	0	0	0	0	0	1	0	0	0	0	0	0	0	0	0	0	0	0	0	0	0	0	
	△	↑								↑								↑							
	▽	↓								↓								↓							
	Brighter	1	1	1	1	1	1	0	1	0	0	0	0	0	0	0	0	0	0	0	0	0	0	0	
▽	1	1	1	1	1	1	0	0	0	0	0	0	0	0	0	0	0	0	0	0	0	0	0		
Red	1	1	1	1	1	1	1	0	0	0	0	0	0	0	0	0	0	0	0	0	0	0	0		
Gray Scale Of Green	Black	0	0	0	0	0	0	0	0	0	0	0	0	0	0	0	0	0	0	0	0	0	0	0	
	△	0	0	0	0	0	0	0	0	0	0	0	0	0	0	1	0	0	0	0	0	0	0		
	Darker	0	0	0	0	0	0	0	0	0	0	0	0	0	1	0	0	0	0	0	0	0	0		
	△	↑								↑								↑							
	▽	↓								↓								↓							
	Brighter	0	0	0	0	0	0	0	1	1	1	1	1	1	0	1	0	0	0	0	0	0	0		
▽	0	0	0	0	0	0	0	1	1	1	1	1	1	0	0	0	0	0	0	0	0	0			
Green	0	0	0	0	0	0	0	1	1	1	1	1	1	1	0	0	0	0	0	0	0	0			
Gray Scale Of Blue	Black	0	0	0	0	0	0	0	0	0	0	0	0	0	0	0	0	0	0	0	0	0	0		
	△	0	0	0	0	0	0	0	0	0	0	0	0	0	0	0	0	0	0	0	0	0	1		
	Darker	0	0	0	0	0	0	0	0	0	0	0	0	0	0	0	0	0	0	0	0	0	1		
	△	↑								↑								↑							
	▽	↓								↓								↓							
	Brighter	0	0	0	0	0	0	0	0	0	0	0	0	0	0	1	1	1	1	1	1	1	0		
▽	0	0	0	0	0	0	0	0	0	0	0	0	0	0	0	1	1	1	1	1	1	0			
Blue	0	0	0	0	0	0	0	0	0	0	0	0	0	0	1	1	1	1	1	1	1	1			
Gray Scale Of White & Black	Black	0	0	0	0	0	0	0	0	0	0	0	0	0	0	0	0	0	0	0	0	0	0		
	△	0	0	0	0	0	0	1	0	0	0	0	0	0	1	0	0	0	0	0	0	0			
	Darker	0	0	0	0	0	0	1	0	0	0	0	0	0	1	0	0	0	0	0	0	1			
	△	↑								↑								↑							
	▽	↓								↓								↓							
	Brighter	1	1	1	1	1	1	0	1	1	1	1	1	1	0	1	1	1	1	1	1	0	1		
▽	1	1	1	1	1	1	0	1	1	1	1	1	1	0	1	1	1	1	1	1	1	0			
White	1	1	1	1	1	1	1	1	1	1	1	1	1	1	1	1	1	1	1	1	1	1			

**SPEC. NUMBER**

S864-1118

**SPEC. TITLE**

HT17E12-200 Product Specification

**PAGE**

15 OF 24



**PRODUCT GROUP**

**REV.**

**ISSUE DATE**

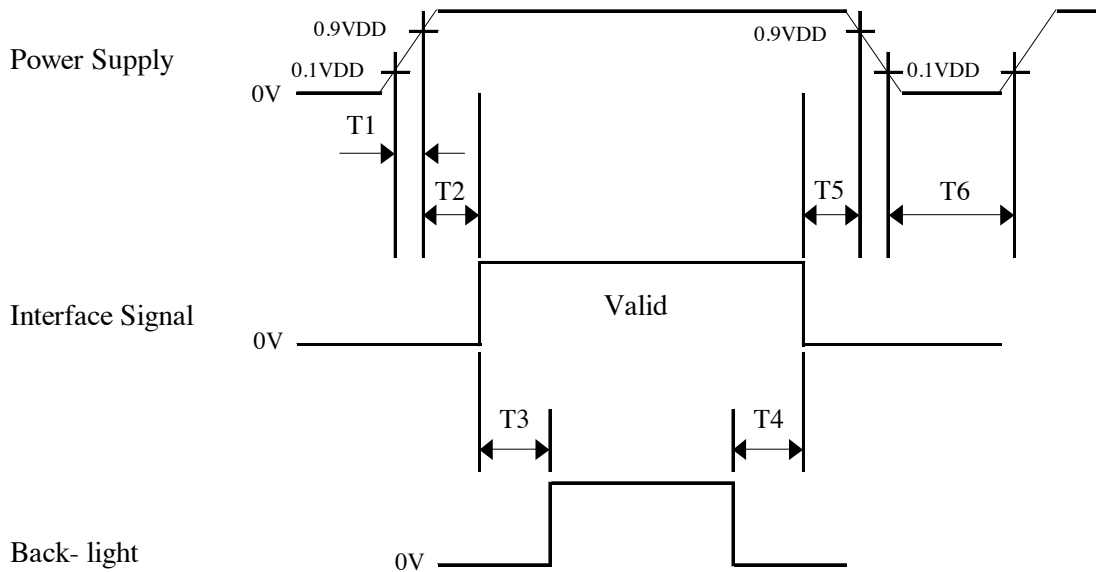
TFT-LCD PRODUCT

A

2002.10.31

**9.0 POWER SEQUENCE**

To prevent a latch-up or DC operation of the LCD module, the power on/off sequence should be as shown in below



- $0 < T1 \leq 10 \text{ ms}$
- $20 \text{ ms} < T2 \leq 50 \text{ ms}$
- $500 \text{ ms} \leq T3$
- $100 \text{ ms} \leq T4$
- $0 < T5 \leq 50 \text{ ms}$
- $1 \text{ sec} \leq T6$

Notes:

1. When the power supply VDD is 0V, Keep the level of input signals on the low or keep high impedance.
2. Do not keep the interface signal high impedance when power is on.
3. Back Light must be turn on after power for logic and interface signal are valid.

**SPEC. NUMBER**

S864-1118

**SPEC. TITLE**

HT17E12-200 Product Specification

**PAGE**

16 OF 24



**PRODUCT GROUP****REV.****ISSUE DATE**

TFT-LCD PRODUCT

A

2002.10.31

**10.0 MECHANICAL CHARACTERISTICS**

## 10.1 Dimensional Requirements

FIGURE 6 shown in appendix shows mechanical outlines for the model HT17E12-200. Other parameters are shown in Table 5.

&lt;Table 5. Dimensional Parameters&gt;

Parameter	Specification	Unit
Dimensional outline		
Horizontal	358.5 ±0.5	mm
Vertical	296.5 ±0.5	
Thickness	17.0 ±0.5	
Weight	1900 max.	gram
Active area	337.92 (H) × 270.336(V)	mm
Pixel pitch	0.264(H) × 0.264(V)	mm
Number of pixels	1280(H) × 1024(V) (1 pixel = R + G + B dot)	pixels
Back-light	Top / Bottom edge side 4-CCFL type	

## 10.2 Mounting

See FIGURE 5 shown in appendix

## 10.3 Anti-Glare and Polarizer Hardness.

The surface of the LCD has an anti-glare coating to minimize reflection and a coating to reduce scratching.

## 10.4 Light Leakage

There shall not be visible light from the back-lighting system around the edges of the screen as seen from a distance 50[cm] from the screen with an overhead light level of 350[lux].

The manufacture shall furnish limit samples of the panel showing the lightest leakage acceptable.

**SPEC. NUMBER**

S864-1118

**SPEC. TITLE**

HT17E12-200 Product Specification

**PAGE**

17 OF 24

**PRODUCT GROUP****REV.****ISSUE DATE**

TFT-LCD PRODUCT

A

2002.10.31

**11.0 RELIABILITY TEST**

The Reliability test items and its conditions are shown in below.

&lt;Table 6. Reliability Test Parameters&gt;

No	Test Items	Conditions
1	High temperature storage test	Ta = 60 °C, 240 hrs
2	Low temperature storage test	Ta = -20 °C, 240 hrs
3	High temperature & high humidity operation test	Ta = 50 °C, 80 %RH, 240 hrs
4	High temperature operation test	Ta = 50 °C, 240 hrs
5	Low temperature operation test	Ta = 0 °C, 240 hrs
6	Thermal shock	Ta = -20 °C ↔ 60 °C (30 min), 100 cycle
7	Vibration test (non-operating)	Frequency : 10 ~ 300 Hz, Sweep rate 30min Gravity/AMP : 1.5G Period : ±X, ±Y, ±Z 30min
8	Shock test (non-operating)	Gravity : 70G Pulse width : 11ms, sine wave ±X, ±Y, ±Z Once for each direction
9	Electrostatic discharge test	Air : 150 pF, 330 Ω, 15KV Contact : 150 pF, 330 Ω, 8KV

**SPEC. NUMBER**

S864-1118

**SPEC. TITLE**

HT17E12-200 Product Specification

**PAGE**

18 OF 24

**PRODUCT GROUP****REV.****ISSUE DATE**

TFT-LCD PRODUCT

A

2002.10.31

**12.0 HANDLING & CAUTIONS**

## 12.1 Cautions when taking out the module

- Pick the pouch only, when taking out module from a shipping package.

## 12.2 Cautions for handling the module

- As the electrostatic discharges may break the LCD module, handle the LCD module with care. Peel a protection sheet off from the LCD panel surface as slowly as possible.
- As the LCD panel and back-light element are made from fragile glass material, impulse and pressure to the LCD module should be avoided.
- As the surface of the polarizer is very soft and easily scratched, use a soft dry-cloth without chemicals for cleaning.
- Do not pull the interface connector in or out while the LCD module is operating.
- Put the module display side down on a flat horizontal plane.
- Handle connectors and cables with care.

## 12.3 Cautions for the operation

- When the module is operating, do not lose LVDS signals. If any one of these signals were lost, the LCD panel would be damaged.
- Obey the supply voltage sequence. If the wrong sequences were applied, the module would be damaged.

## 12.4 Cautions for the atmosphere

- Dewdrop atmosphere should be avoided.
- Do not store and/or operate the LCD module in a high temperature and/or humidity atmosphere. Storage in an electro-conductive polymer-packing pouch and under relatively low temperature atmosphere is recommended.

## 12.5 Cautions for the module characteristics

- Do not apply fixed pattern data signal to the LCD module at aging time.
- Applying fixed pattern for a long time may cause image sticking.

## 12.6 Other cautions

- Do not disassemble and/or re-assemble LCD module.
- Do not re-adjust variable resistor or switch etc.
- When returning the module for repair or etc, please pack the module not to be broken. We recommend on using the original shipping packages.

**SPEC. NUMBER**

S864-1118

**SPEC. TITLE**

HT17E12-200 Product Specification

**PAGE**

19 OF 24



**PRODUCT GROUP**

**REV.**

**ISSUE DATE**

TFT-LCD PRODUCT

A

2002.10.31

**13.0 PRODUCT SERIAL NUMBER**



1            2            3            4                            5                            6

X	X	X	X	X	2	0	0	-	X	X	X	X	X	X	X	X
---	---	---	---	---	---	---	---	---	---	---	---	---	---	---	---	---

**Type designation**

**No 1. Control Number**

**No 2. Rank / Grade**

**No 3. Year (01 : 2001, 02 : 2002, ...)**

**No 4. Month (1, 2, 3, ..., 9, X, Y, Z)**

**No 5. Product Identification**

**No 6. Serial Number**

**SPEC. NUMBER**

S864-1118

**SPEC. TITLE**

HT17E12-200 Product Specification

**PAGE**

20 OF 24



**PRODUCT GROUP**

**REV.**

**ISSUE DATE**

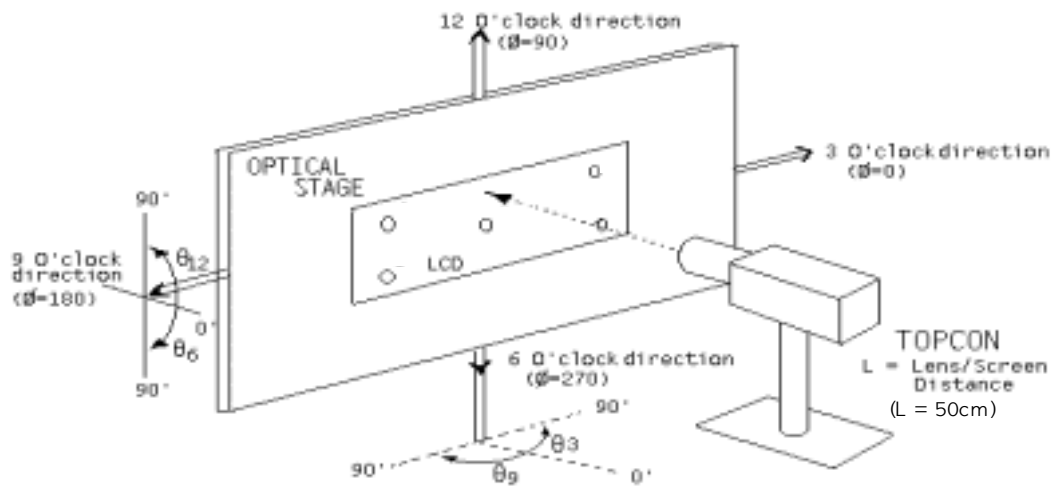
TFT-LCD PRODUCT

A

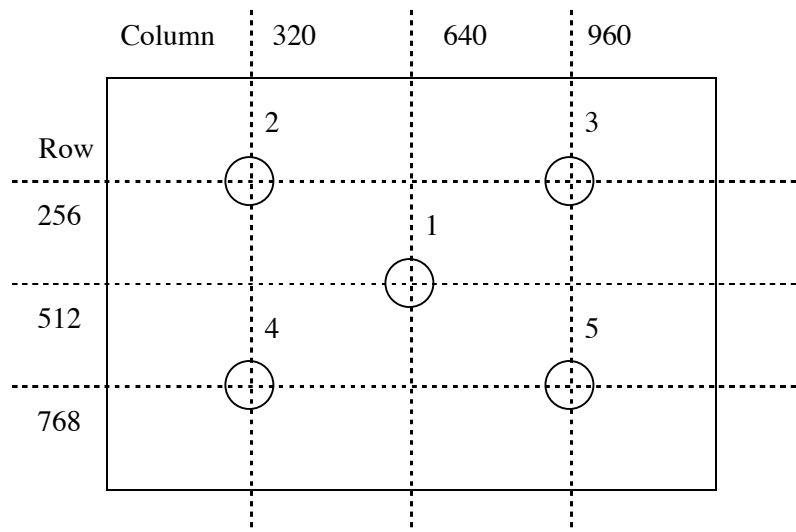
2002.10.31

**14.0 APPENDIX**

**Figure 1. Measurement Set Up**



**Figure 2. Average Luminance Measurement Locations & Uniformity Measurement Locations**



**SPEC. NUMBER**

S864-1118

**SPEC. TITLE**

HT17E12-200 Product Specification

**PAGE**

21 OF 24



**PRODUCT GROUP**

**REV.**

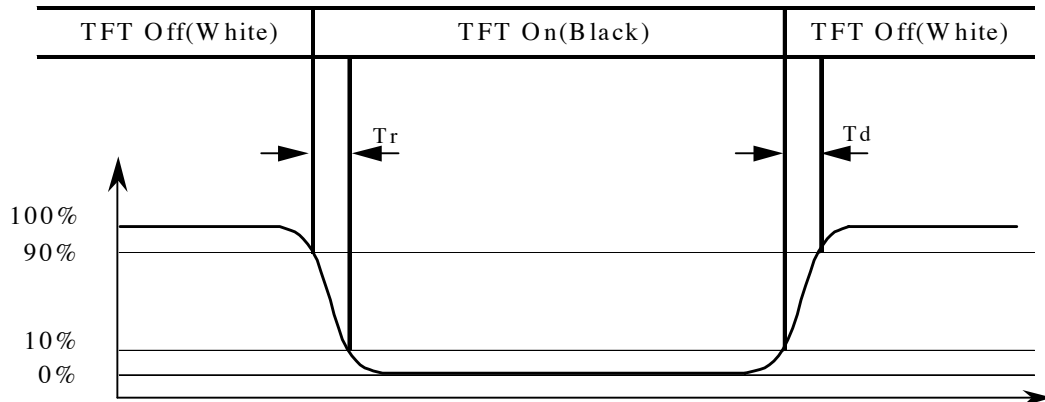
**ISSUE DATE**

TFT-LCD PRODUCT

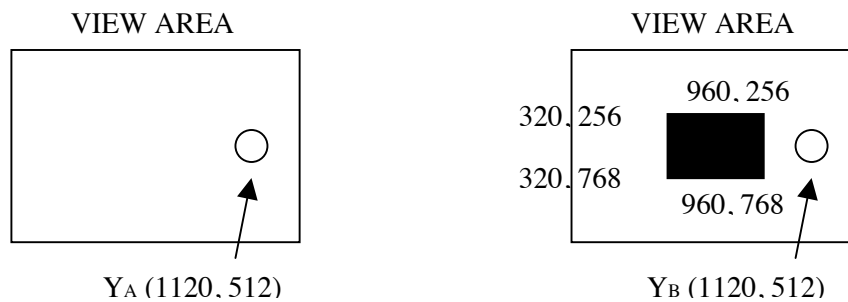
A

2002.10.31

**Figure 3. Response Time Testing**



**Figure 4. Cross Modulation Test Description**



$$\text{Cross-Talk} = \left| \frac{Y_B - Y_A}{Y_A} \right| \times 100$$

Where:

$Y_A$  = Initial luminance of measured area ( $\text{cd/m}^2$ )

$Y_B$  = Subsequent luminance of measured area ( $\text{cd/m}^2$ )

The location measured will be exactly the same in both patterns.

**SPEC. NUMBER**

S864-1118

**SPEC. TITLE**

HT17E12-200 Product Specification

**PAGE**

22 OF 24



PRODUCT GROUP

REV.

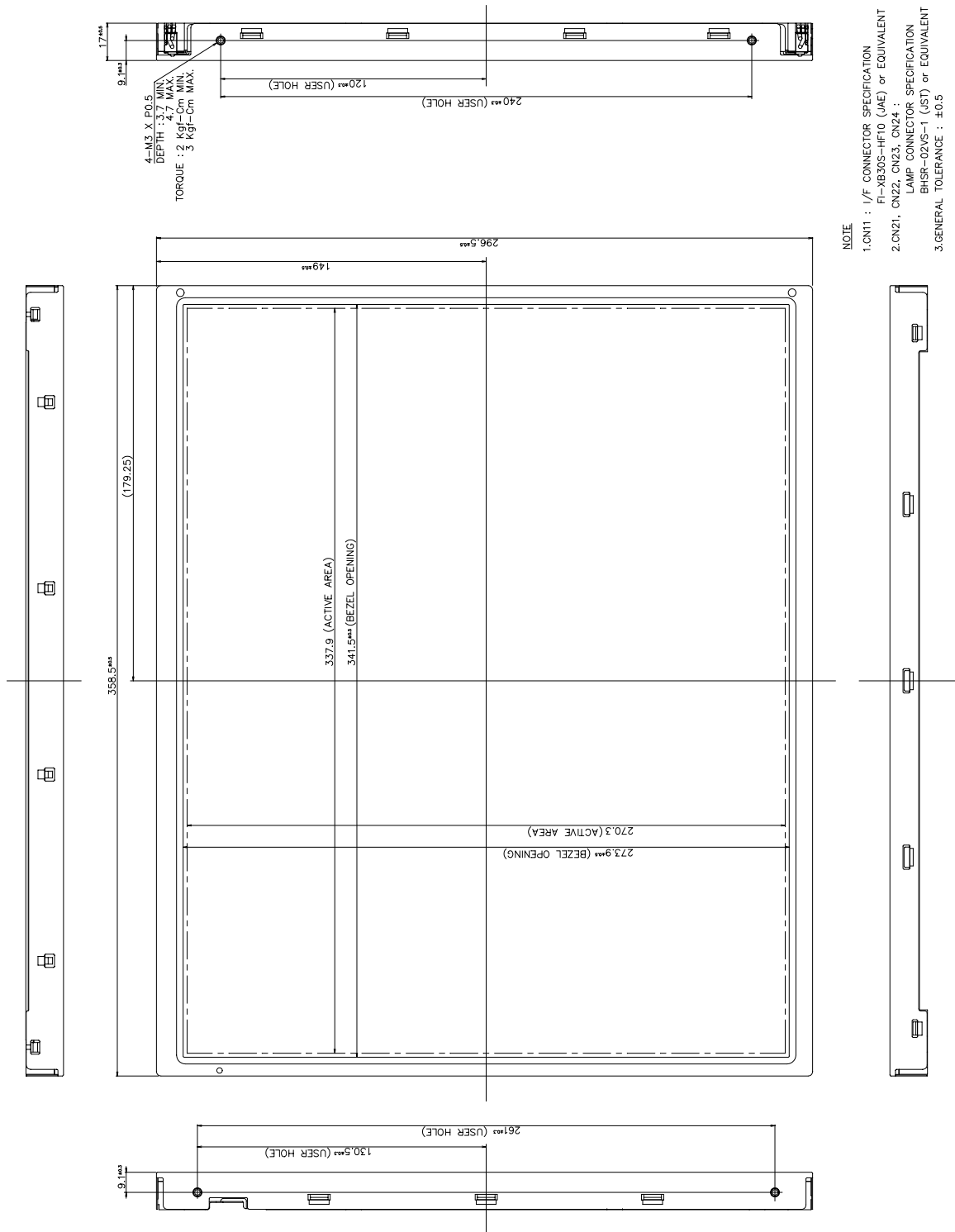
ISSUE DATE

TFT-LCD PRODUCT

A

2002.10.31

Figure 5. TFT-LCD Module Outline Dimensions (Front view)



SPEC. NUMBER

S864-1118

SPEC. TITLE

HT17E12-200 Product Specification

PAGE

23 OF 24



PRODUCT GROUP

REV.

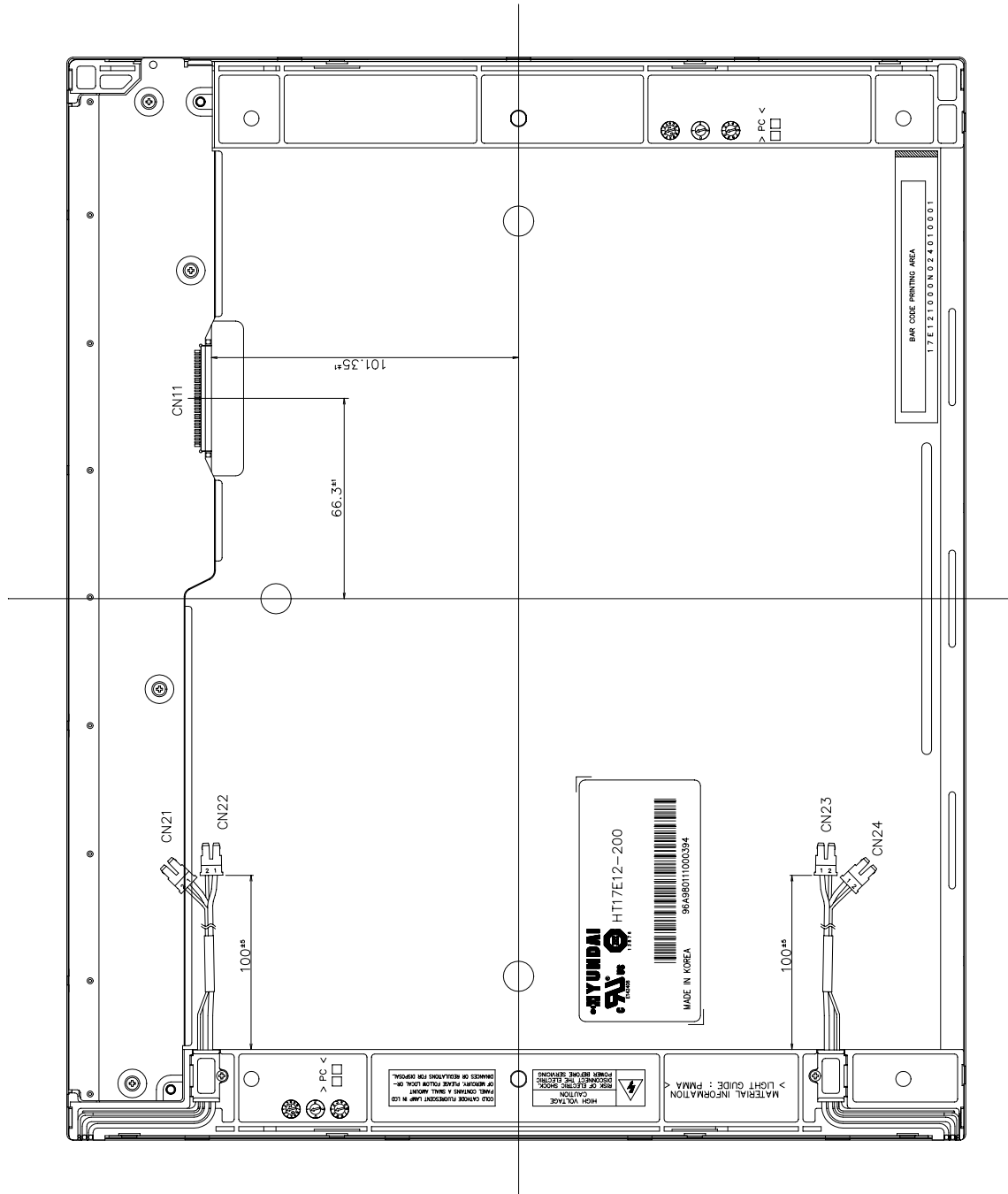
ISSUE DATE

TFT-LCD PRODUCT

A

2002.10.31

Figure 6. TFT-LCD Module Outline Dimensions (Rear view)



SPEC. NUMBER

S864-1118

SPEC. TITLE

HT17E12-200 Product Specification

PAGE

24 OF 24