

INNOLUX DISPLAY CORPORATION

LCD MODULE

SPECIFICATION

Customer: _____
Model Name: AT080TN52
SPEC NO.: A080-52-TT-02
Date: 2008/03/17
Version: 02

- Preliminary Specification
 Final Specification

For Customer's Acceptance

Approved by	Comment

Approved by	Reviewed by	Prepared by
Joe Lin 2008/03/27	Jack Huang 2008/03/26	Kevin Chen 2008/03/26

Record of Revision

Version	Revise Date	Page	Content
Pre-Spec.01	2008/03/04		Initial Release.
02	2008/03/17	2	Modify PIN Assignment
		11	Modify Data Input Format
		19	Modify Mechanical Drawing

Contents

- 1. General Specifications 1
- 2. Pin Assignment 2
 - 2.1. TFT LCD Panel Driving Section 2
 - 2.2. Backlight Unit Section 5
- 3. Operation Specifications 6
 - 3.1. Absolute Maximum Rating 6
 - 3.1.1. Typical Operation Conditions 7
 - 3.1.2. Current Consumption 8
 - 3.1.3. Backlight Driving Conditions 8
 - 3.2. Power Sequence 9
 - 3.3. Timing Characteristics 10
 - 3.3.1. AC Electrical Characteristics 10
 - 3.3.2. Data Input Format 11
 - 3.3.3. Timing 12
- 4. Optical Specifications 13
- 5. Reliability Test Items 17
- 6. General Precautions 18
 - 6.1. Safety 18
 - 6.2. Handling 18
 - 6.3. Static Electricity 18
 - 6.4. Storage 18
 - 6.5. Cleaning 18
- 7. Mechanical Drawing 19
- 8. Package Drawing 20
 - 8.1. Packaging Material Table 20
 - 8.2. Packaging Quantity 20
 - 8.3. Packaging Drawing 21

1. General Specifications

No.	Item	Specification	Remark
1	LCD size	8.0 inch(Diagonal)	
2	Driver element	a-Si TFT active matrix	
3	Resolution	800X3(RGB)X600	
4	Display mode	Normally White, Transmissive	
5	Dot pitch	0.0675(W)X0.2025(H) mm	
6	Active area	162(W)X121.5(H) mm	
7	Module size	183(W)X141(H)X6.3(D) mm	Note 1
8	Surface treatment	Anti-Glare	
9	Color arrangement	RGB-stripe	
10	Interface	Digital	
11	Backlight power consumption	TBD	
12	Panel power consumption	TBD	
13	Weight	TBD	

Note 1: Refer to Mechanical Drawing.

2. Pin Assignment

2.1. TFT LCD Panel Driving Section

1. FPC Connector is used for the module electronics interface. The recommended model is FH12A-50S-0.5SH manufactured by P-TWO.
2. LED Light Bar Connector is used for the integral backlight system. The recommended model is BHSR-02VS-1 manufactured by JST.

Pin No.	Symbol	I/O	Function	Remark
1	NC		No connection	
2	NC		No connection	
3	NC		No connection	
4	NC		No connection	
5	GND	P	Power ground	
6	V _{COM}	I	Common voltage	
7	V _{CC}	P	Power supply for digital circuit	
8	MODE	I	DE/SYNC mode select	Note3
9	DE	I	Data Input Enable	
10	VS	I	Vertical Sync Input	
11	HS	I	Horizontal Sync Input	
12	B7	I	Blue data	
13	B6	I	Blue data	
14	B5	I	Blue data	
15	B4	I	Blue data	
16	B3	I	Blue data	
17	B2	I	Blue data	
18	B1	I	Blue data	
19	B0	I	Blue data	
20	G7	I	Green data	
21	G6	I	Green data	
22	G5	I	Green data	
23	G4	I	Green data	
24	G3	I	Green data	
25	G2	I	Green data	
26	G1	I	Green data	
27	G0	I	Green data	
28	R7	I	Red data	
29	R6	I	Red data	
30	R5	I	Red data	

31	R4	I	Red data	
32	R3	I	Red data	
33	R2	I	Red data	
34	R1	I	Red data	
35	R0	I	Red data	
36	GND	P	Power ground	
37	DCLK	I	Sample clock	
38	GND	P	Power ground	
39	L/R	I	Right/ left selection	Note2,5
40	U/D	I	Up/down selection	Note2,5
41	V _{GH}	P	Gate ON voltage	
42	V _{GL}	P	Gate OFF voltage	
43	AV _{DD}	I	Voltage for analog circuit	
44	RESET	I	Global reset pin.	Note1
45	NC		No connection	
46	V _{COM}	I	Common voltage	
47	DITHB	I	Dithering function	Note 4
48	GND	P	Power ground	
49	NC		No connection	
50	NC		No connection	

I: input, O: output, P: Power

Note 1: Global reset pin. Active Low to enter Reset State. Suggest to connecting with an RC reset circuit for stability. Normally pull high.

Note 2: Selection of scanning mode

Setting of scan control input		Scanning direction
U/D	R/L	
GND	V _{CC}	Up to down, left to right
V _{CC}	GND	Down to up, right to left
GND	GND	Up to down, right to left
V _{CC}	V _{CC}	Down to up, left to right

Note 3: DE/SYNC mode select, Normally pull high.

H: DE mode.

L: HS/VS mode.

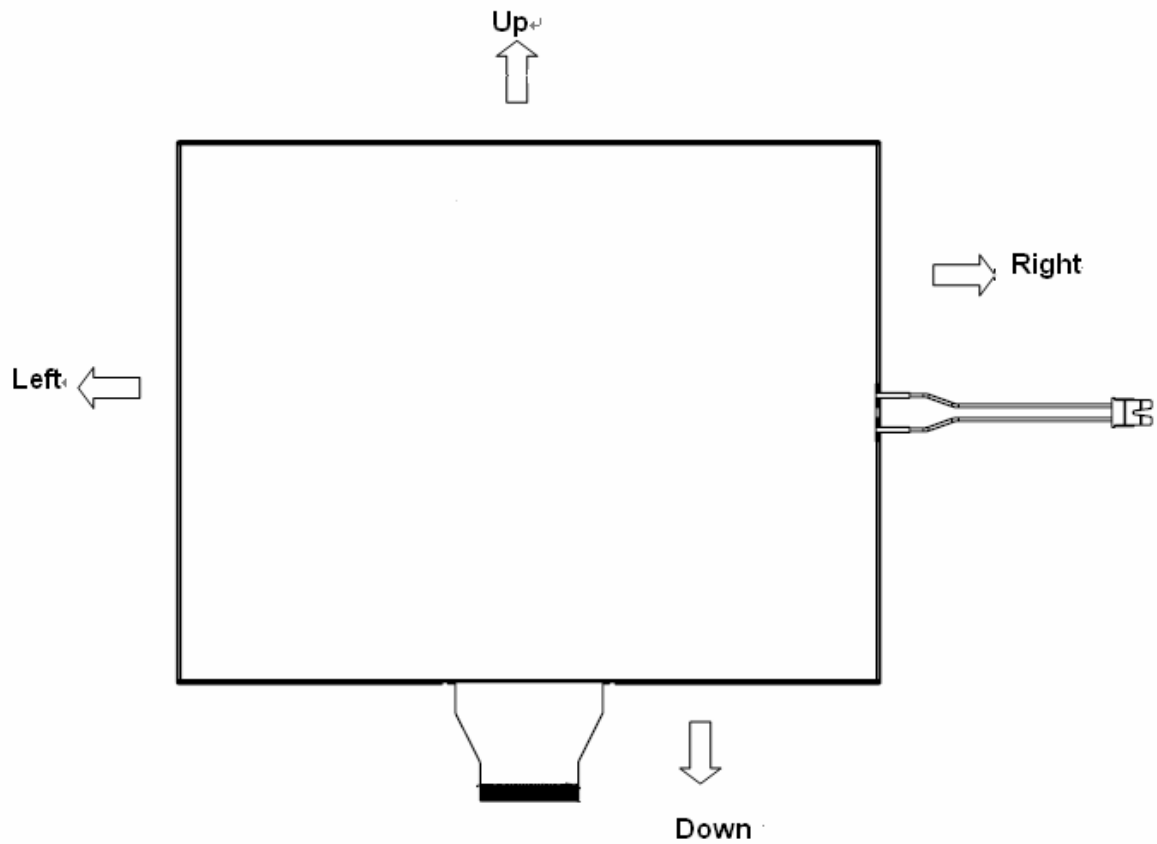
Note4: Dithering function enable control. Normally pull high.

DITHB="1", Disable internal dithering function.

DITHB="0", Enable internal dithering function,

版權屬於研創所有，禁止任何未經授權的使用

Note 5: Definition of scanning direction.
Refer to the figure as below:



2.2. Backlight Unit Section

Pin No.	Symbol	I/O	Function	Remark
1	HI	P	Power supply for backlight unit(High voltage)	Pink
2	GND	P	Ground for backlight unit	White

INNOLUX
Confidential

3. Operation Specifications

3.1. Absolute Maximum Rating

(GND=AV_{SS}=0V, Note 1)

Item	Symbol	Values		Unit	Remark
		Min.	Max.		
Power voltage	V _{CC}	-0.3	5.0	V	
	AV _{DD}	-0.5	13.5	V	
	V _{GH}	13.0	19.0	V	
	V _{GL}	-12.0	-2.0	V	
	V _{GH} -V _{GL}	-	31.0	V	
Operation Temperature Storage Temperature	T _{OP}	-20	70	°C	
	T _{ST}	-30	80	°C	
LED Reverse Voltage	V _R	-	1.2	V	each LED Note 2
LED Forward Current	I _F	-	25	mA	each LED

Note 1: The absolute maximum rating values of this product are not allowed to be exceeded at any times. Should a module be used with any of the absolute maximum ratings exceeded, the characteristics of the module may not be recovered, or in an extreme case, the module may be permanently destroyed.

Note 2: V_R Conditions: Zener Diode 20mA

3.1.1. Typical Operation Conditions

(GND=AV_{SS}=0V, Note 1)

Item	Symbol	Values			Unit	Remark
		Min.	Typ.	Max.		
Power voltage	V _{CC}	3.0	3.3	3.6	V	Note 2
	AV _{DD}	10.4	10.4	10.6	V	
	V _{GH}	15.3	16.0	16.7	V	
	V _{GL}	-7.7	-7.0	-6.3	V	
Input signal voltage	V _{COM}	(4.10)	(4.15)	(4.20)	V	
Input logic high voltage	V _{IH}	0.7V _{CC}	-	V _{CC}	V	Note 3
Input logic low voltage	V _{IL}	0	-	0.3V _{CC}	V	

Note 1: Be sure to apply V_{CC} and V_{GL} to the LCD first, and then apply V_{GH}.

Note 2: V_{CC} setting should match the signals output voltage (refer to Note 3) of customer's system board .

Note 3: DCLK,HS,VS,RSTB,UPDN,STLR,MODE,DITHB.

3.1.2. Current Consumption

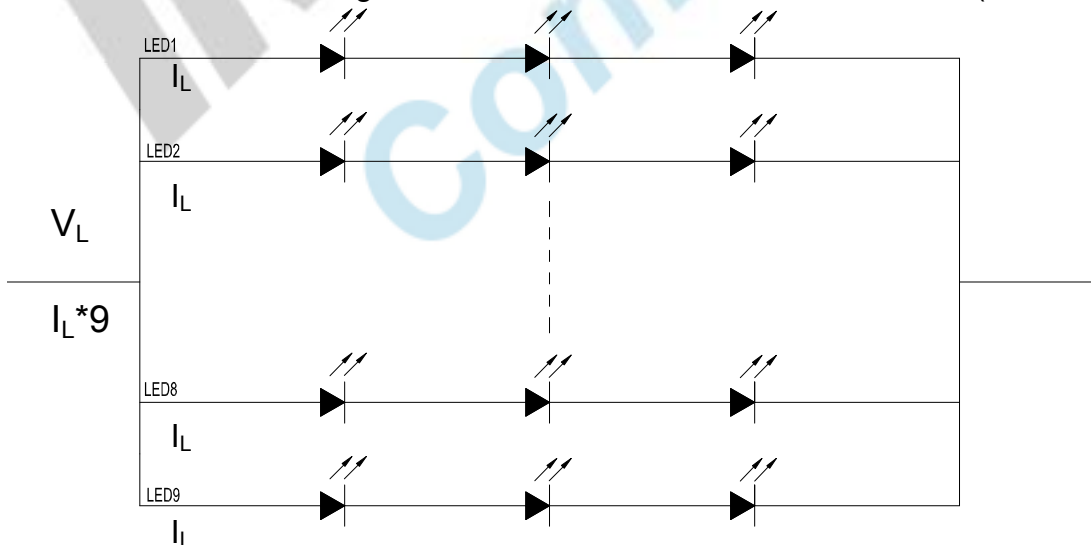
(GND=AV_{SS}=0V)

Item	Symbol	Values			Unit	Remark
		Min.	Typ.	Max.		
Current for Driver	I _{GH}	-	0.2	0.5	mA	V _{GH} =16.0V
	I _{GL}	-	0.2	1.0	mA	V _{GL} = -7.0V
	I _{CC}	-	5.5	10.0	mA	V _{CC} =3.3V
	I _{AV_{DD}}	-	32.0	50.0	mA	AV _{DD} =10.0V

3.1.3. Backlight Driving Conditions

Item	Symbol	Values			Unit	Remark
		Min.	Typ.	Max.		
LED voltage	V _L	9.3	9.9	10.5	V	Note 1,3
LED current	I _L	18	20	22	mA	Note 1
LED life time	-	20,000	-	-	Hr	Note 2

Note 1: The LED driving condition is defined for each LED module (3 LED Serial).

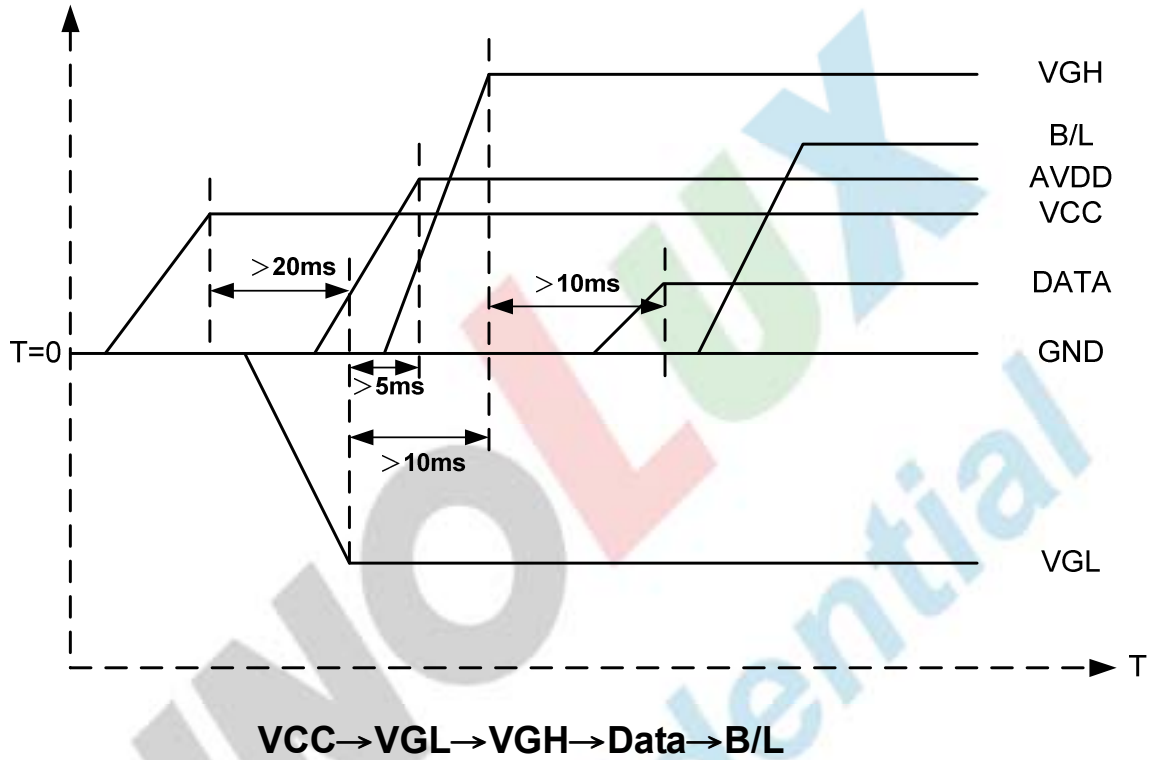


Note 2: The “LED life time” is defined as the module brightness decrease to 50% original brightness at Ta=25°C and I_L =20mA. The LED lifetime could be decreased if operating I_L is larger than 20 mA.

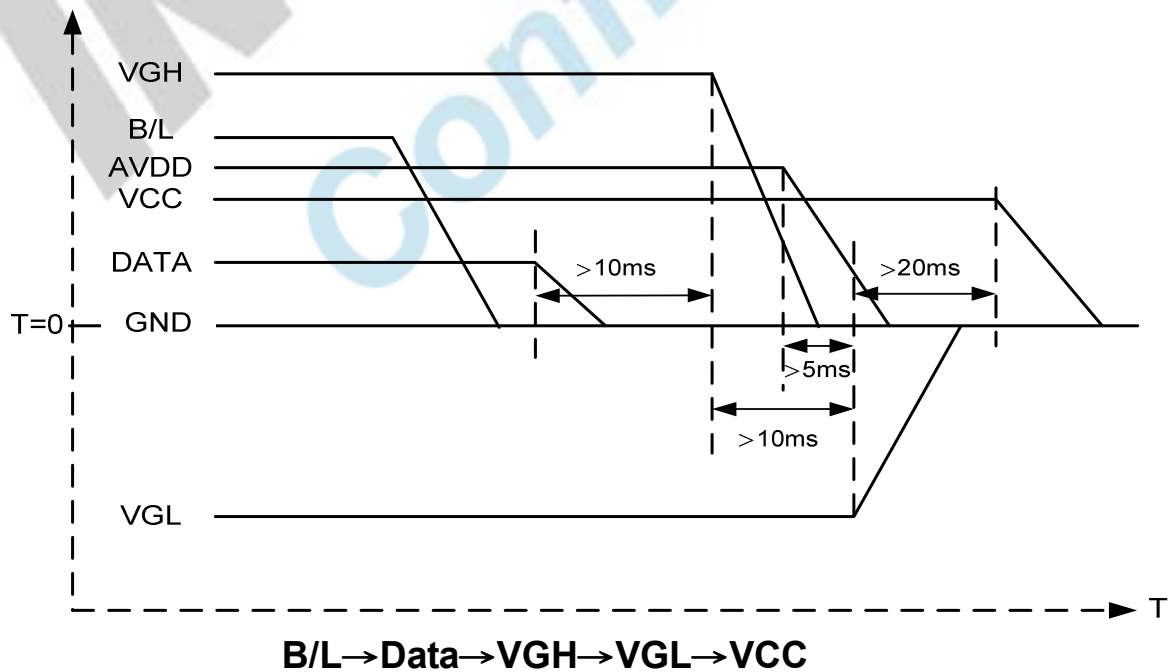
Note 3: The LED Supply Voltage is defined by the number of LED at Ta=25°C and I_L =20mA. In the case of 3pcs LED , V_L=3.3*3=9.9V

3.2. Power Sequence

3.2.1. Power on:



3.2.2. Power off:



Note: Data include R0~R5, B0~B5, GO~G5, STLR,UPDN, DCLK, HS,VS,DE.

版權屬於群創所有。禁止任何未經授權的使用

The copyright belongs to InnoLux. Any unauthorized use is prohibited.

3.3. Timing Characteristics

3.3.1. AC Electrical Characteristics

Item	Symbol	Values			Unit	Remark
		Min.	Typ.	Max.		
HS setup time	T_{hst}	8	-	-	Ns	
HS hold time	T_{hhd}	8	-	-	Ns	
VS setup time	T_{vst}	8	-	-	Ns	
VS hold time	T_{vhd}	8	-	-	Ns	
Data setup time	T_{dsu}	8	-	-	Ns	
Data hole time	T_{dhd}	8	-	-	Ns	
DE setup time	T_{esu}	8	-	-	Ns	
DE hole time	T_{ehd}	8	-	-	Ns	
VDD Power On Slew rate	T_{POR}	-	-	20	ms	
RSTB pulse width	T_{Rst}	10	-	-	us	
CLKIN cycle time	T_{coh}	20	-	-	Ns	
CLKIN pulse duty	T_{cwh}	40	50	60	%	
Output stable time	T_{sst}	-	-	6	us	

3.3.2. Data Input Format

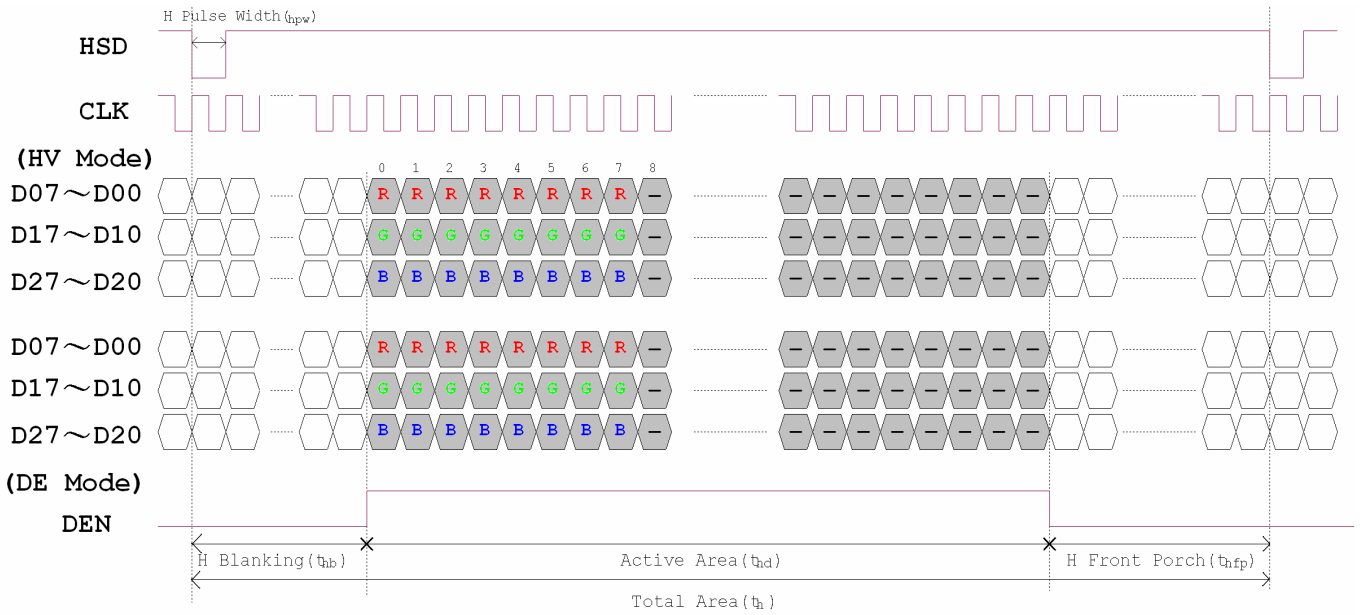


Figure 3. 1 Horizontal input timing diagram.

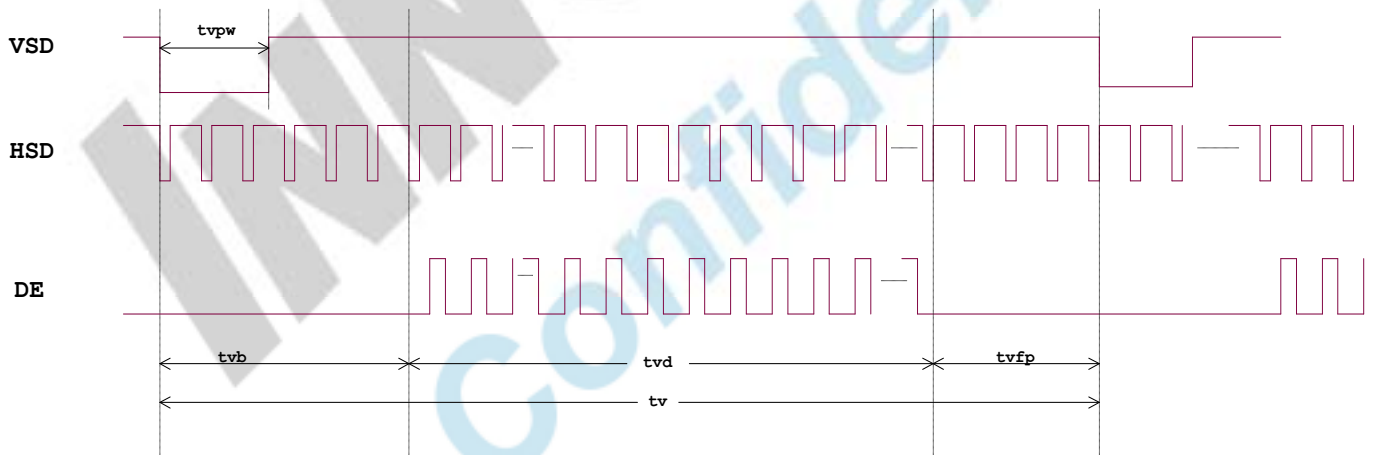


Figure 3. 2 Vertical input timing diagram.

3.3.3. Timing

Item	Symbol	Values			Unit	Remark
		Min.	Typ.	Max.		
Horizontal Display Area	thd	-	800	-	DCLK	
DCLK Frequency	fclk	-	40	50	MHz	
One Horizontal Line	th	862	1056	1200	DCLK	
HS pulse width	thpw	1	-	40	DCLK	
HS Back Porch(Blanking)	thb	46	46	46	DCLK	
HS Front Porch	thfp	16	210	354	DCLK	

Item	Symbol	Values			Unit	Remark
		Min.	Typ.	Max.		
Vertical Display Area	tvd	-	600	-	TH	
VS period time	tv	624	635	700	TH	
VS pulse width	tvpw	1	-	20	TH	
VS Back Porch(Blanking)	tvb	23	23	23	TH	
VS Front Porch	tvfp	1	12	77	TH	

4. Optical Specifications

Item	Symbol	Condition	Values			Unit	Remark
			Min.	Typ.	Max.		
Viewing angle (CR≥ 10)	θ_L	$\Phi=180^\circ$ (9 o'clock)	60	70	-	degree	Note 1
	θ_R	$\Phi=0^\circ$ (3 o'clock)	60	70	-		
	θ_T	$\Phi=90^\circ$ (12 o'clock)	40	50	-		
	θ_B	$\Phi=270^\circ$ (6 o'clock)	60	70	-		
Response time	T_{ON}	Normal $\theta=\Phi=0^\circ$	-	10	20	msec	Note 3
	T_{OFF}		-	15	30	msec	Note 3
Contrast ratio	CR		400	500	-	-	Note 4
Color chromaticity	W_X		0.26	0.31	0.36	-	Note 2 Note 5
	W_Y		0.28	0.33	0.38	-	Note 6
Luminance	L		200	250	-	cd/m ²	Note 6
Luminance uniformity	Y_U		70	75	-	%	Note 7

Test Conditions:

1. $V_{CC}=3.3V$, $I_L=20mA$ (Backlight current), the ambient temperature is $25^\circ C$.
2. The test systems refer to Note 2.

Note 1: Definition of viewing angle range

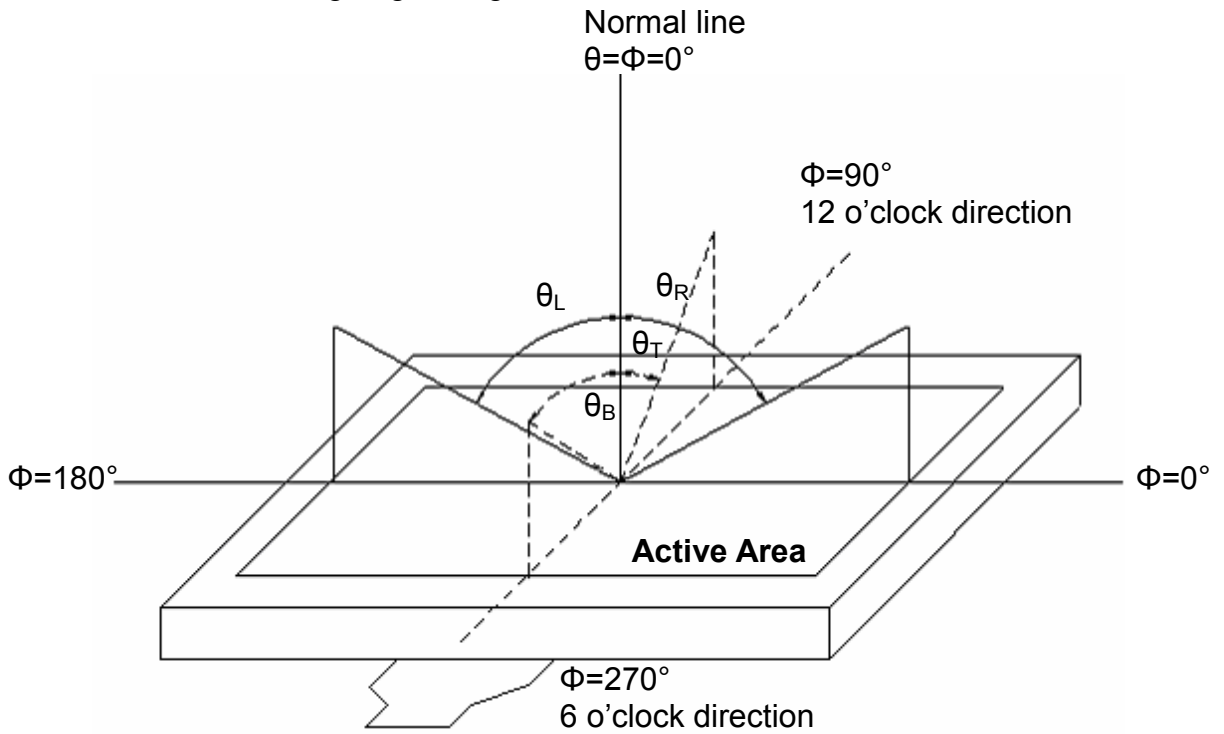


Fig. 4-1 Definition of viewing angle

Note 2: Definition of optical measurement system.

The optical characteristics should be measured in dark room. After 30 minutes operation, the optical properties are measured at the center point of the LCD screen. (Response time is measured by Photo detector TOPCON BM-7, other items are measured by BM-5A/Field of view: 1° /Height: 500mm.)

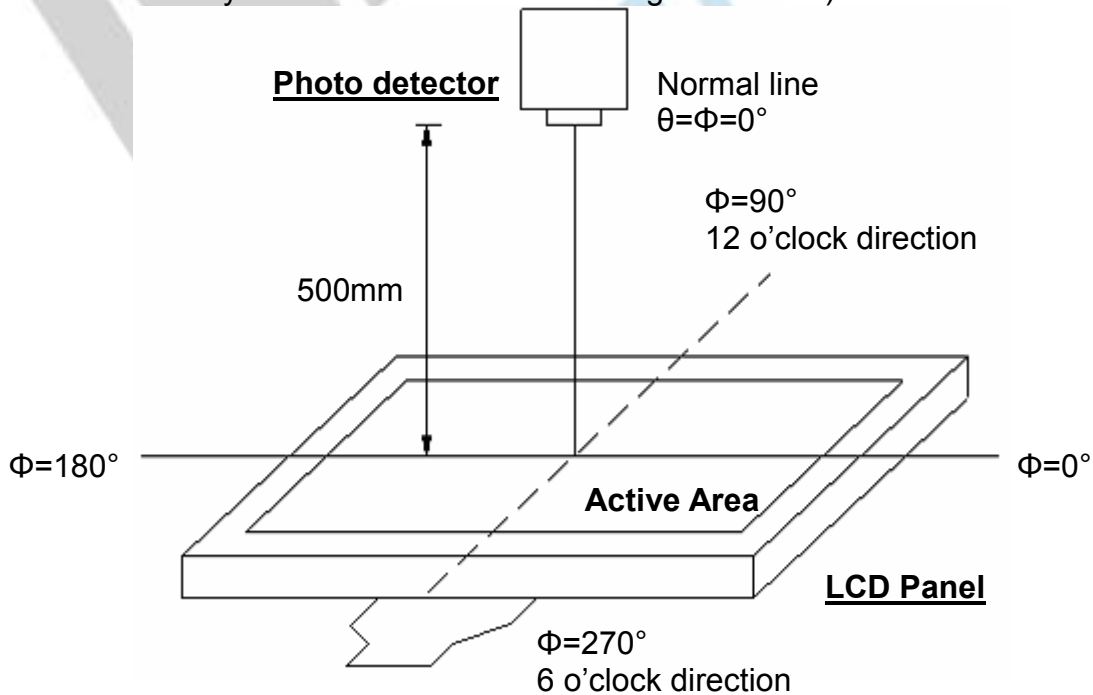


Fig. 4-2 Optical measurement system setup

Note 3: Definition of Response time

The response time is defined as the LCD optical switching time interval between "White" state and "Black" state. Rise time (T_{ON}) is the time between photo detector output intensity changed from 90% to 10%. And fall time (T_{OFF}) is the time between photo detector output intensity changed from 10% to 90%.

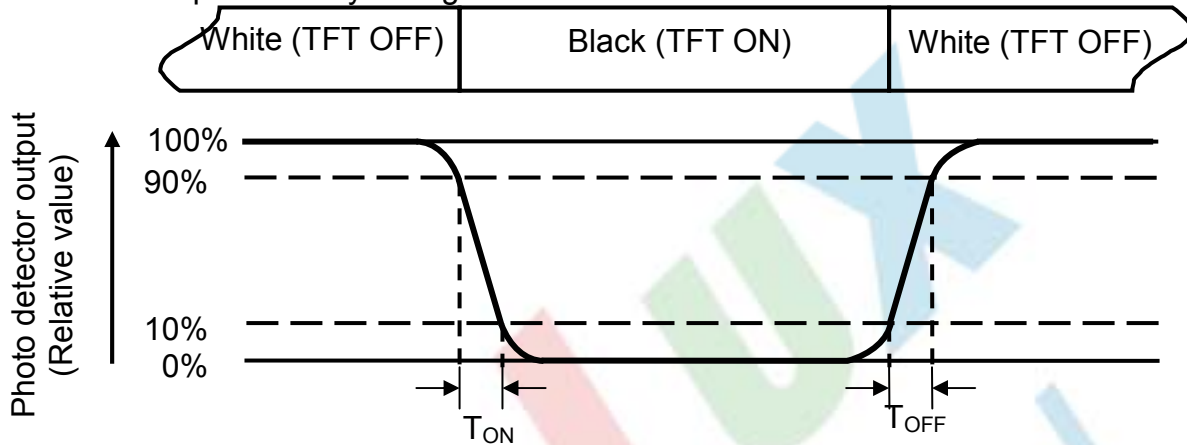


Fig. 4-3 Definition of response time

Note 4: Definition of contrast ratio

$$\text{Contrast ratio (CR)} = \frac{\text{Luminance measured when LCD on the "White" state}}{\text{Luminance measured when LCD on the "Black" state}}$$

Note 5: Definition of color chromaticity (CIE1931)

Color coordinates measured at center point of LCD.

Note 6: All input terminals LCD panel must be ground while measuring the center area of the panel. The LED driving condition is $I_L=20\text{mA}$ of which each LED module is 3 LED serial.

Note 7: Definition of Luminance Uniformity

Active area is divided into 9 measuring areas (Refer to Fig. 4-4).Every measuring point is placed at the center of each measuring area.

$$\text{Luminance Uniformity (Yu)} = \frac{B_{min}}{B_{max}}$$

L-----Active area length W----- Active area width

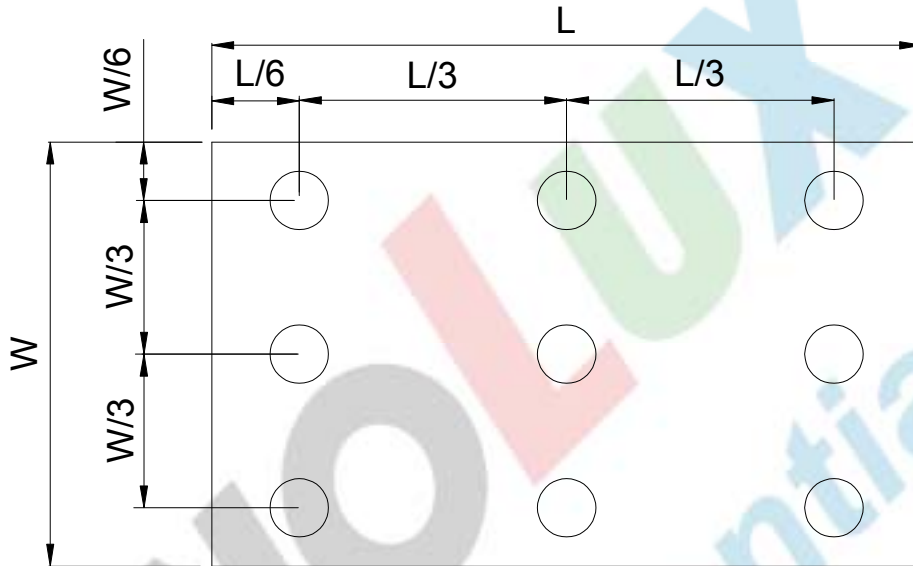


Fig. 4-4 Definition of measuring points

- B_{max}**: The measured maximum luminance of all measurement position.
- B_{min}**: The measured minimum luminance of all measurement position.

6. General Precautions

6.1. Safety

Liquid crystal is poisonous. Do not put it in your mouth. If liquid crystal touches your skin or clothes, wash it off immediately by using soap and water.

6.2. Handling

1. The LCD panel is plate glass. Do not subject the panel to mechanical shock or to excessive force on its surface.
2. The polarizer attached to the display is easily damaged. Please handle it carefully to avoid scratch or other damages.
3. To avoid contamination on the display surface, do not touch the module surface with bare hands.
4. Keep a space so that the LCD panels do not touch other components.
5. Put cover board such as acrylic board on the surface of LCD panel to protect panel from damages.
6. Transparent electrodes may be disconnected if you use the LCD panel under environmental conditions where the condensation of dew occurs.
7. Do not leave module in direct sunlight to avoid malfunction of the ICs.

6.3. Static Electricity

1. Be sure to ground module before turning on power or operating module.
2. Do not apply voltage which exceeds the absolute maximum rating value.

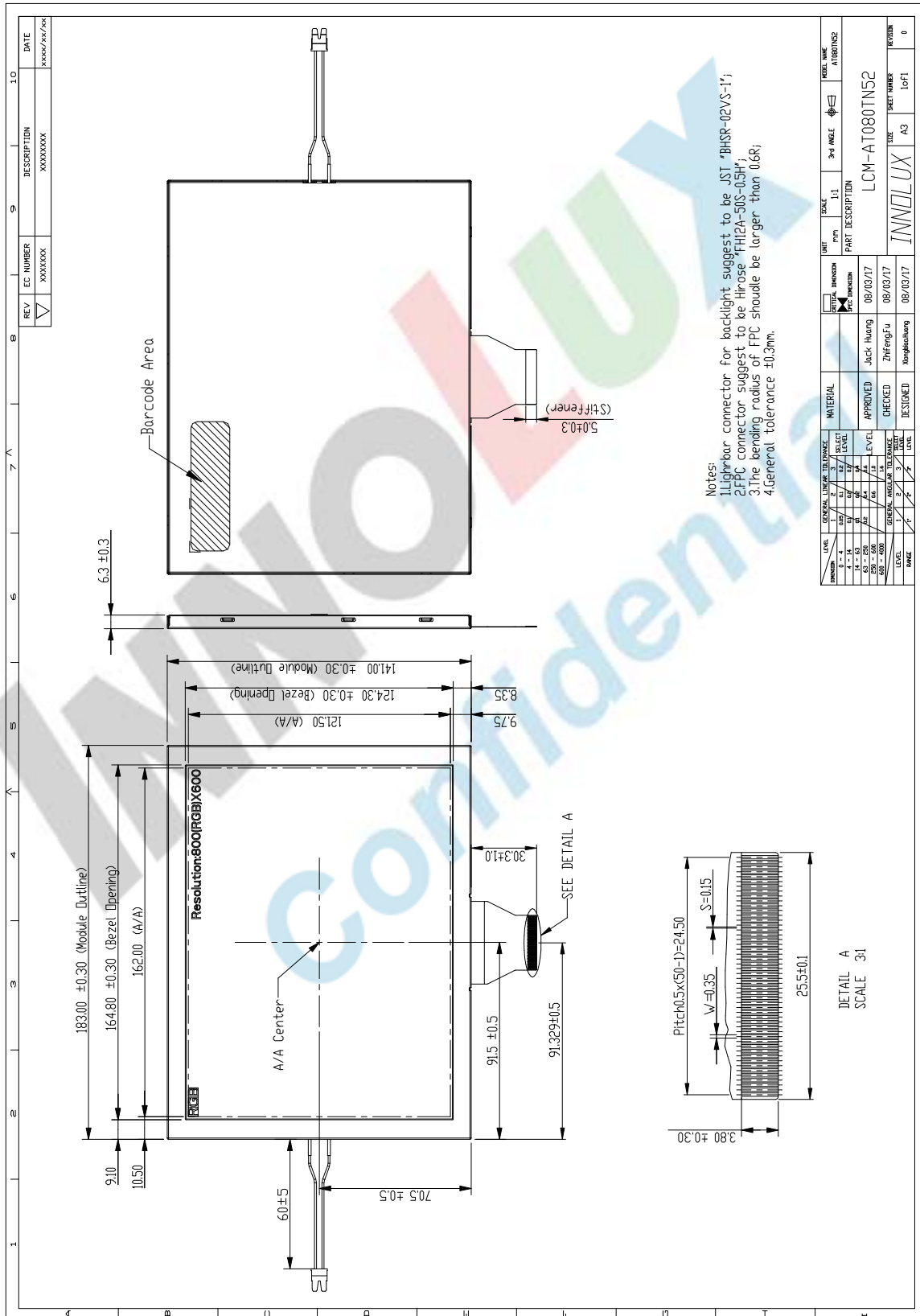
6.4. Storage

1. Store the module in a dark room where must keep at $25\pm 10^{\circ}\text{C}$ and 65%RH or less.
2. Do not store the module in surroundings containing organic solvent or corrosive gas.
3. Store the module in an anti-electrostatic container or bag.

6.5. Cleaning

1. Do not wipe the polarizer with dry cloth. It might cause scratch.
2. Only use a soft sloth with IPA to wipe the polarizer, other chemicals might permanent damage to the polarizer.

7. Mechanical Drawing



Notes:
 1.Lightbar connector for backlight suggest to be JST "BHR-02VS-1";
 2.FPC connector suggest to be Hirose "FH2A-50S-0.5H";
 3.The bending radius of FPC should be larger than 0.6R;
 4.General tolerance ±0.3mm.

REV	EC NUMBER	DESCRIPTION	DATE
XXXXXX	XXXXXX	XXXXXX	XXXX/XX/XX

GENERAL LINE	1	2	3	4	5	6	7	8	9	10
LINE	1	2	3	4	5	6	7	8	9	10
DESCRIPTION	1	2	3	4	5	6	7	8	9	10
DATE	1	2	3	4	5	6	7	8	9	10
BY	1	2	3	4	5	6	7	8	9	10
CHECKED	1	2	3	4	5	6	7	8	9	10
DESIGNED	1	2	3	4	5	6	7	8	9	10
DATE	1	2	3	4	5	6	7	8	9	10
BY	1	2	3	4	5	6	7	8	9	10
CHECKED	1	2	3	4	5	6	7	8	9	10
DESIGNED	1	2	3	4	5	6	7	8	9	10
DATE	1	2	3	4	5	6	7	8	9	10
BY	1	2	3	4	5	6	7	8	9	10
CHECKED	1	2	3	4	5	6	7	8	9	10
DESIGNED	1	2	3	4	5	6	7	8	9	10
DATE	1	2	3	4	5	6	7	8	9	10
BY	1	2	3	4	5	6	7	8	9	10
CHECKED	1	2	3	4	5	6	7	8	9	10
DESIGNED	1	2	3	4	5	6	7	8	9	10
DATE	1	2	3	4	5	6	7	8	9	10
BY	1	2	3	4	5	6	7	8	9	10
CHECKED	1	2	3	4	5	6	7	8	9	10
DESIGNED	1	2	3	4	5	6	7	8	9	10
DATE	1	2	3	4	5	6	7	8	9	10
BY	1	2	3	4	5	6	7	8	9	10
CHECKED	1	2	3	4	5	6	7	8	9	10
DESIGNED	1	2	3	4	5	6	7	8	9	10
DATE	1	2	3	4	5	6	7	8	9	10
BY	1	2	3	4	5	6	7	8	9	10
CHECKED	1	2	3	4	5	6	7	8	9	10
DESIGNED	1	2	3	4	5	6	7	8	9	10
DATE	1	2	3	4	5	6	7	8	9	10
BY	1	2	3	4	5	6	7	8	9	10
CHECKED	1	2	3	4	5	6	7	8	9	10
DESIGNED	1	2	3	4	5	6	7	8	9	10
DATE	1	2	3	4	5	6	7	8	9	10
BY	1	2	3	4	5	6	7	8	9	10
CHECKED	1	2	3	4	5	6	7	8	9	10
DESIGNED	1	2	3	4	5	6	7	8	9	10
DATE	1	2	3	4	5	6	7	8	9	10
BY	1	2	3	4	5	6	7	8	9	10
CHECKED	1	2	3	4	5	6	7	8	9	10
DESIGNED	1	2	3	4	5	6	7	8	9	10
DATE	1	2	3	4	5	6	7	8	9	10
BY	1	2	3	4	5	6	7	8	9	10
CHECKED	1	2	3	4	5	6	7	8	9	10
DESIGNED	1	2	3	4	5	6	7	8	9	10
DATE	1	2	3	4	5	6	7	8	9	10
BY	1	2	3	4	5	6	7	8	9	10
CHECKED	1	2	3	4	5	6	7	8	9	10
DESIGNED	1	2	3	4	5	6	7	8	9	10
DATE	1	2	3	4	5	6	7	8	9	10
BY	1	2	3	4	5	6	7	8	9	10
CHECKED	1	2	3	4	5	6	7	8	9	10
DESIGNED	1	2	3	4	5	6	7	8	9	10
DATE	1	2	3	4	5	6	7	8	9	10
BY	1	2	3	4	5	6	7	8	9	10
CHECKED	1	2	3	4	5	6	7	8	9	10
DESIGNED	1	2	3	4	5	6	7	8	9	10
DATE	1	2	3	4	5	6	7	8	9	10
BY	1	2	3	4	5	6	7	8	9	10
CHECKED	1	2	3	4	5	6	7	8	9	10
DESIGNED	1	2	3	4	5	6	7	8	9	10
DATE	1	2	3	4	5	6	7	8	9	10
BY	1	2	3	4	5	6	7	8	9	10
CHECKED	1	2	3	4	5	6	7	8	9	10
DESIGNED	1	2	3	4	5	6	7	8	9	10
DATE	1	2	3	4	5	6	7	8	9	10
BY	1	2	3	4	5	6	7	8	9	10
CHECKED	1	2	3	4	5	6	7	8	9	10
DESIGNED	1	2	3	4	5	6	7	8	9	10
DATE	1	2	3	4	5	6	7	8	9	10
BY	1	2	3	4	5	6	7	8	9	10
CHECKED	1	2	3	4	5	6	7	8	9	10
DESIGNED	1	2	3	4	5	6	7	8	9	10
DATE	1	2	3	4	5	6	7	8	9	10
BY	1	2	3	4	5	6	7	8	9	10
CHECKED	1	2	3	4	5	6	7	8	9	10
DESIGNED	1	2	3	4	5	6	7	8	9	10
DATE	1	2	3	4	5	6	7	8	9	10
BY	1	2	3	4	5	6	7	8	9	10
CHECKED	1	2	3	4	5	6	7	8	9	10
DESIGNED	1	2	3	4	5	6	7	8	9	10
DATE	1	2	3	4	5	6	7	8	9	10
BY	1	2	3	4	5	6	7	8	9	10
CHECKED	1	2	3	4	5	6	7	8	9	10
DESIGNED	1	2	3	4	5	6	7	8	9	10
DATE	1	2	3	4	5	6	7	8	9	10
BY	1	2	3	4	5	6	7	8	9	10
CHECKED	1	2	3	4	5	6	7	8	9	10
DESIGNED	1	2	3	4	5	6	7	8	9	10
DATE	1	2	3	4	5	6	7	8	9	10
BY	1	2	3	4	5	6	7	8	9	10
CHECKED	1	2	3	4	5	6	7	8	9	10
DESIGNED	1	2	3	4	5	6	7	8	9	10
DATE	1	2	3	4	5	6	7	8	9	10
BY	1	2	3	4	5	6	7	8	9	10
CHECKED	1	2	3	4	5	6	7	8	9	10
DESIGNED	1	2	3	4	5	6	7	8	9	10
DATE	1	2	3	4	5	6	7	8	9	10
BY	1	2	3	4	5	6	7	8	9	10
CHECKED	1	2	3	4	5	6	7	8	9	10
DESIGNED	1	2	3	4	5	6	7	8	9	10
DATE	1	2	3	4	5	6	7	8	9	10
BY	1	2	3	4	5	6	7	8	9	10
CHECKED	1	2	3	4	5	6	7	8	9	10
DESIGNED	1	2	3	4	5	6	7	8	9	10
DATE	1	2	3	4	5	6	7	8	9	10
BY	1	2	3	4	5	6	7	8	9	10
CHECKED	1	2	3	4	5	6	7	8	9	10
DESIGNED	1	2	3	4	5	6	7	8	9	10
DATE	1	2	3	4	5	6	7	8	9	10
BY	1	2	3	4	5	6	7	8	9	10
CHECKED	1	2	3	4	5	6	7	8	9	10
DESIGNED	1	2	3	4	5	6	7	8	9	10
DATE	1	2	3	4	5	6	7	8	9	10
BY	1	2	3	4	5	6	7	8	9	10
CHECKED	1	2	3	4	5	6	7	8	9	10
DESIGNED	1	2	3	4	5	6	7	8	9	10
DATE	1	2	3	4	5	6	7	8	9	10
BY	1	2	3	4	5	6	7	8	9	10
CHECKED	1	2	3	4	5	6	7	8	9	10
DESIGNED	1	2	3	4	5	6	7	8	9	10
DATE	1	2	3	4	5	6	7	8	9	10
BY	1	2	3	4	5	6	7	8	9	10
CHECKED	1	2	3	4	5	6	7	8	9	10
DESIGNED	1	2	3	4	5	6	7	8	9	10
DATE	1	2	3	4	5	6	7	8	9	10
BY	1	2	3	4	5	6	7	8	9	10
CHECKED	1	2	3	4	5	6	7	8	9	10
DESIGNED	1	2	3	4	5	6	7	8	9	10
DATE	1	2	3	4	5	6	7	8	9	10
BY	1	2	3	4	5	6	7	8	9	10
CHECKED	1	2	3	4	5	6	7	8	9	10
DESIGNED	1	2	3	4	5	6	7	8	9	10
DATE	1	2	3	4	5	6	7	8	9	10
BY	1	2	3	4	5	6	7	8		

8. Package Drawing

8.1 Packaging Material Table

No.	Item	Model (Material)	Dimensions(mm)	Unit Weight (kg)	Quantity	Remark
1	LCM Module	AT080TN52	183.0 X 141.0X 6.3	TBD	30pcs	
2	Partition	BC Corrugated paper	512 X 349 X 226	1.184	1set	
3	Corrugated Bar	B Corrugated paper	349 X 186 X 38	0.155	4pcs	
4	Dust-Proof Bag	PE	700 X 530	0.060	1pcs	
5	A/S Bag	PE	220.0 X 200.0 X 0.2	0.003	30pcs	
6	Carton	Corrugated paper	530 X 355 X 255	1.100	1pcs	
7	Total weight	TBD				

8.2 Packaging Quantity

Total LCM quantity in Carton: no. of Partition 2 Rows X quantity per Row 15 = 30
--

8.3 Packaging Drawing

TBD

INNOLUX
Confidential