

SPEC

| | |
|----------|-----------------------|
| Spec No. | TQ3C-8EAS0-E1DAM33-00 |
| Date | August 8, 2007 |

TYPE : KG057QVLCD-G020

< 5.7 inch QVGA transmissive blue mode monochrome STN
with LED backlight >

CONTENTS

1. Application
2. Construction and outline
3. Mechanical specifications
4. Absolute maximum ratings
5. Electrical characteristics
6. Optical characteristics
7. Circuit block diagram
8. Interface signals
9. Interface timing chart
10. Input timing characteristics
11. Supply voltage sequence condition
12. Backlight characteristics
13. Lot number identification
14. Warranty
15. Precautions for use
16. Reliability test data
17. Outline drawing



KYOCERA CORPORATION
KAGOSHIMA HAYATO PLANT
LCD DIVISION

This specification is subject to change without notice.
Consult Kyocera before ordering.

| Original Issue Date | Designed by: Engineering dept. | | | Confirmed by: QA dept. | |
|---------------------|--------------------------------|--------------------|---------------------|------------------------|----------------|
| | Prepared | Checked | Approved | Checked | Approved |
| August 8, 2007 | <i>Y. Asano</i> | <i>T. Takemura</i> | <i>G. MATSUMOTO</i> | <i>J. Sakaguchi</i> | <i>S. Imai</i> |

| | | |
|-----------------------------------|-----------------------------|-----------|
| Spec No. TQ3C-8EAS0-E1DAM33-00 | Part No. KG057QVLCD-G020 | Page - |
|-----------------------------------|-----------------------------|-----------|

Warning

1. This Kyocera LCD module has been specifically designed for use only in electronic devices and industrial machines in the area of audio control, office automation, industrial control home appliances, etc. The module should not be used in applications where the highest level of safety and reliability are required and module failure or malfunction of such module results in physical harm or loss of life, as well as enormous damage or loss. Such fields of applications include, without limitation, medical, aerospace, communications infrastructure, atomic energy control. Kyocera expressly disclaims any and all liability resulting in any way to the use of the module in such applications.

2. Customer agrees to indemnify, defend and hold Kyocera harmless from and against any and all actions, claims, damages, liabilities, awards, costs, and expenses, including legal expenses, resulting from or arising out of Customer's use, or sale for use, or Kyocera modules in applications.

Caution

1. Kyocera shall have the right, which Customer hereby acknowledges, to immediately scrap or destroy tooling for Kyocera modules for which no Purchase Orders have been received from the Customer in a two-year period.

| | | |
|-----------------------------------|-----------------------------|-----------|
| Spec No. TQ3C-8EAS0-E1DAM33-00 | Part No. KG057QVLCD-G020 | Page - |
|-----------------------------------|-----------------------------|-----------|

Revision record

| Date | | Designed by : Engineering dept. | | | Confirmed by : QA dept. | |
|---------|------|---------------------------------|--------------|----------|-------------------------|----------|
| | | Prepared | Checked | Approved | Checked | Approved |
| | | | | | | |
| Rev.No. | Date | Page | Descriptions | | | |
| | | | | | | |

1. Application

This document defines the specification of KG057QVLCD-G020. (RoHS Compliant)

2. Construction and outline

| | |
|--------------------|---|
| LCD | : Transmissive blue mode monochrome dot matrix type STN |
| Duty ratio | : 1/240 duty |
| Backlight system | : LED |
| Polarizer | : Glare treatment |
| Additional circuit | : Bias voltage circuit, Randomizing circuit, DC/DC converter circuit, Temperature compensation circuit |

3. Mechanical specifications

| Item | Specification | Unit |
|------------------------|--|------|
| Outline dimensions | 144 (W) × (104.8) (H) × 12.7 (D) | mm |
| Active area | 115.18 (W) × 86.38 (H) (14.4cm / 5.7 inch (Diagonal)) | mm |
| Effective viewing area | 117.2 (W) × 88.4 (H) | mm |
| Dot format | 320 (W) × 240 (H) | dot |
| Dot size | 0.34 (W) × 0.34 (H) | mm |
| Dot pitch | 0.36 (W) × 0.36 (H) | mm |
| Base color *1 | Normally Blue | - |
| Mass | 175 | g |

*1 Due to the characteristics of the LCD material, the color varies with environmental temperature.

4. Absolute maximum ratings

4-1. Electrical absolute maximum ratings

| Item | Symbol | Min. | Max. | Unit |
|--------------------------------|-------------------|------|-----------------|------|
| Supply voltage for logic | V _{DD} | 0 | 6.0 | V |
| Supply voltage for LCD driving | V _{CONT} | 0 | V _{DD} | V |
| Input signal voltage *1 | V _{IN} | 0 | V _{DD} | V |
| FRM frequency | f _{FRM} | - | 150 | Hz |
| LED forward current *2 | I _F | - | 27 | mA |
| Reversed voltage *2 | VR | - | 5 | V |

*1 Input signal : FRM, LOAD, CP, DISP, D0~D3

*2 For each "AN1-CA1", "AN2-CA2" and "AN3-CA3"

4-2. Environmental absolute maximum ratings

| Item | Symbol | Min. | Max. | Unit |
|--------------------------|------------------|------|------|------|
| Operating temperature *1 | T _{OP} | 0 | 60 | °C |
| Storage temperature *2 | T _{STO} | -20 | 60 | °C |
| Operating humidity *3 | H _{OP} | 10 | *4 | %RH |
| Storage humidity *3 | H _{STO} | 10 | *4 | %RH |
| Vibration | - | *5 | *5 | - |
| Shock | - | *6 | *6 | - |

*1 Operating temperature means a temperature which operation shall be guaranteed. Since display performance is evaluated at 25°C, another temperature range should be confirmed.

*2 Temp. = -20°C < 48h , Temp. = 60°C < 168h

Store LCD panels at normal temperature/humidity. Keep them free from vibration and shock. An LCD panel that is kept at a low or a high temperature for a long time can be defective due to other conditions, even if the low or high temperature satisfies the standard.

(Please refer to "Precautions for Use" for details.)

*3 Non-condensing

*4 Temp. ≤ 40°C, 85%RH Max.

Temp. > 40°C, Absolute humidity shall be less than 85%RH at 40°C.

*5

| | | |
|-----------------|-------------|---|
| Frequency | 10~55 Hz | Acceleration value (0.3~9 m/s ²) |
| Vibration width | 0.15mm | |
| Interval | 10-55-10 Hz | 1 minutes |

2 hours in each direction X, Y, Z (6 hours total)

EIAJ ED-2531

*6 Acceleration: 490 m/s², Pulse width: 11 ms

3 times in each direction: ±X, ±Y, ±Z

EIAJ ED-2531

6. Optical characteristics

Measuring spot = ϕ 6.0mm, Temp. = 25°C

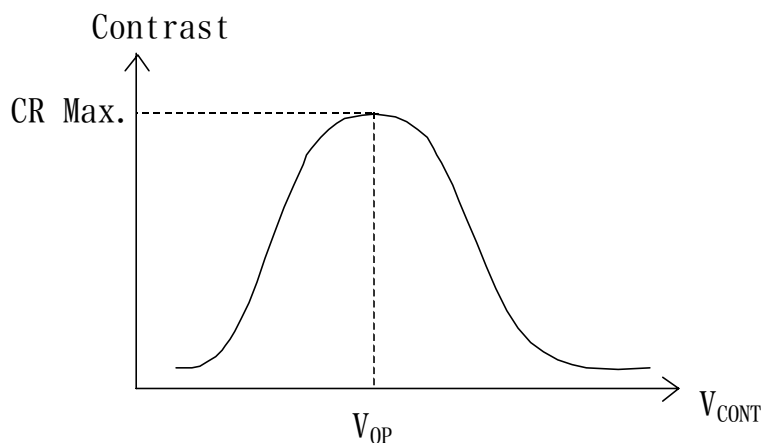
| Item | | Symbol | Condition | Min. | Typ. | Max. | Unit |
|--------------------------|------------------|-------------|---------------------------|-------|-------|------|-------------------|
| Response time | Rise | τ_r | $\theta = \phi = 0^\circ$ | - | 380 | 480 | ms |
| | Down | τ_d | $\theta = \phi = 0^\circ$ | - | 120 | 220 | ms |
| Viewing angle range | θ_{UPPER} | $CR \geq 2$ | $\theta = \phi = 0^\circ$ | - | 20 | - | deg. |
| | θ_{LOWER} | | | - | 40 | - | |
| | ϕ_{LEFT} | | | - | 45 | - | deg. |
| | ϕ_{RIGHT} | | | - | 45 | - | |
| Contrast ratio | | CR | $\theta = \phi = 0^\circ$ | 2.0 | 4.0 | - | - |
| Brightness | | L | IF=25mA/Line | (200) | (350) | - | cd/m ² |
| Chromaticity coordinates | White | x | $\theta = \phi = 0^\circ$ | TBD | TBD | TBD | - |
| | | y | | TBD | TBD | TBD | |
| | Black | x | $\theta = \phi = 0^\circ$ | TBD | TBD | TBD | |
| | | y | | TBD | TBD | TBD | |

Optimum contrast is obtained by adjusting the LCD driving voltage (V_{OP}) while at the viewing angle of $\theta = \phi = 0^\circ$.

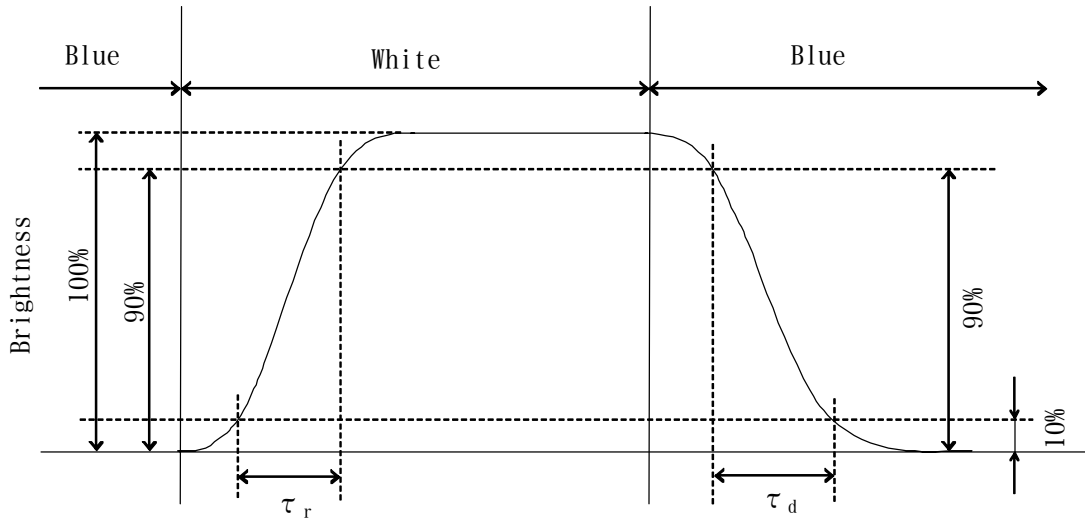
6-1. Definition of contrast ratio

$$CR(\text{Contrast ratio}) = \frac{\text{Brightness with all pixels "White"}}{\text{Brightness with all pixels "Black"}}$$

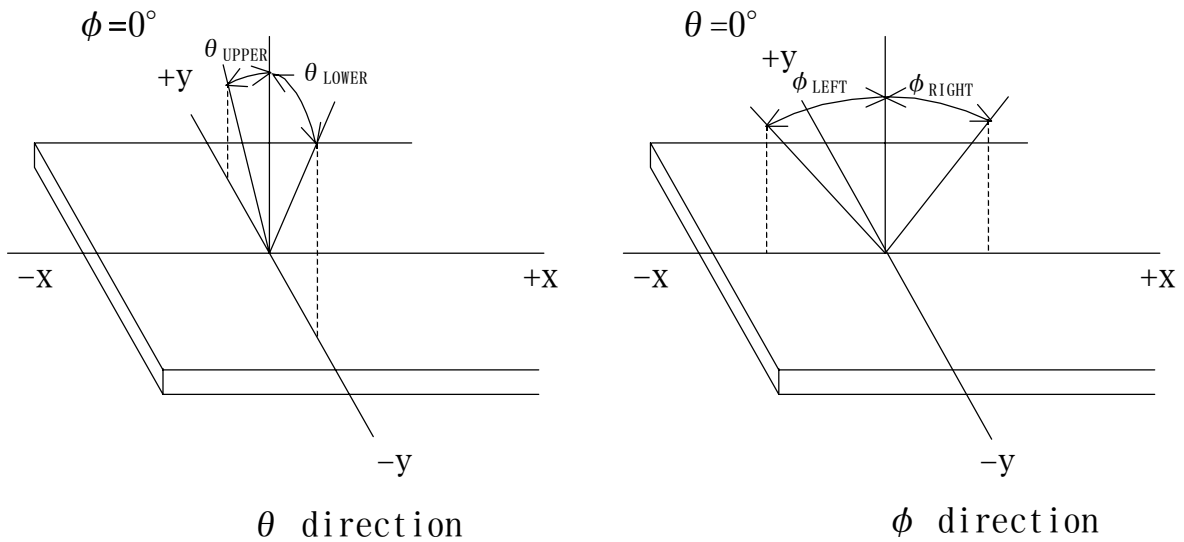
6-2. Definition of V_{OP}



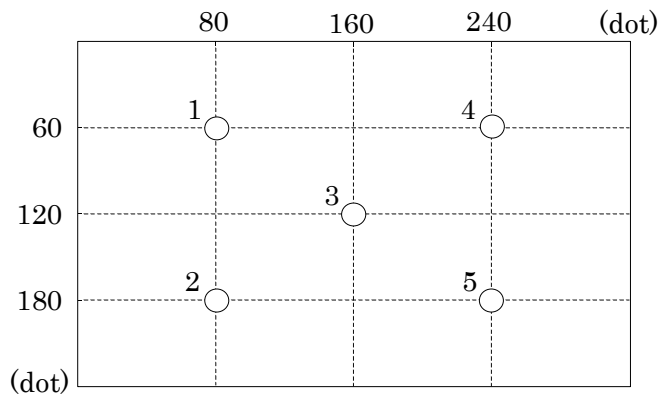
6-3. Definition of response time



6-4. Definition of viewing angle

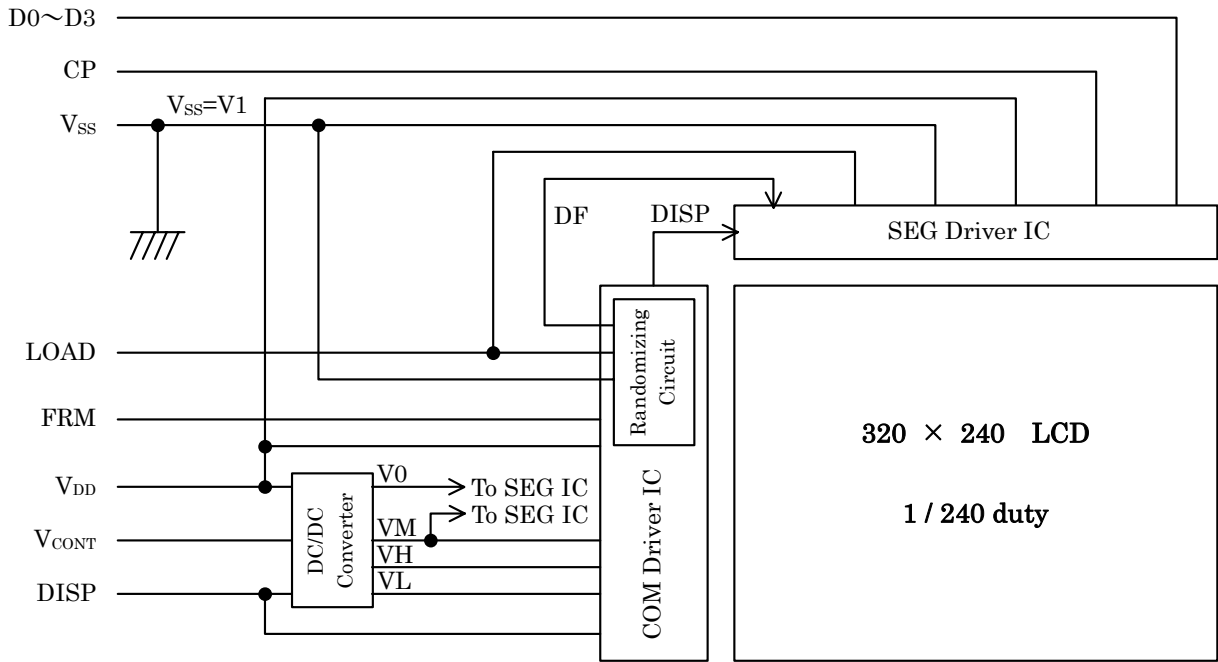


6-5. Brightness measuring points

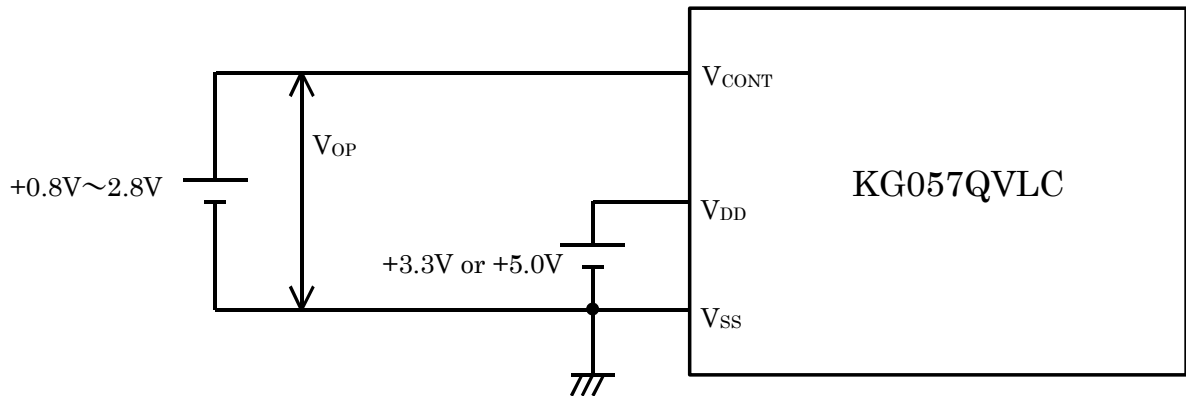


- 1) Rating is defined on the average in the viewing area.
- 2) Measured 30 minutes after the LED is powered on. (Ambient temp. = 25°C)
- 3) Backlight : IF=25mA / 1 LED line

7. Circuit block diagram



7-1. Power supply



8. Interface signals

8-1. Pin assignment of LCD panel

| No. | Symbol | Description | Level |
|-----|-------------------|--|--------------|
| 1 | FRM | Synchronous signal for driving scanning line | H |
| 2 | LOAD | Data signal latch clock | H → L |
| 3 | CP | Data signal shift clock | H → L |
| 4 | DISP | Display control signal | H(ON),L(OFF) |
| 5 | V _{DD} | Power supply for logic | - |
| 6 | V _{SS} | GND | - |
| 7 | V _{CONT} | LCD adjust voltage | - |
| 8 | N.C. | No connect | - |
| 9 | N.C. | | |
| 10 | N.C. | | |
| 11 | N.C. | | |
| 12 | D3 | Display data | H(ON),L(OFF) |
| 13 | D2 | | |
| 14 | D1 | | |
| 15 | D0 | | |
| 16 | V _{DD} | Power supply for logic | - |
| 17 | V _{DD} | | |
| 18 | V _{SS} | GND | - |
| 19 | V _{SS} | | |
| 20 | V _{SS} | | |

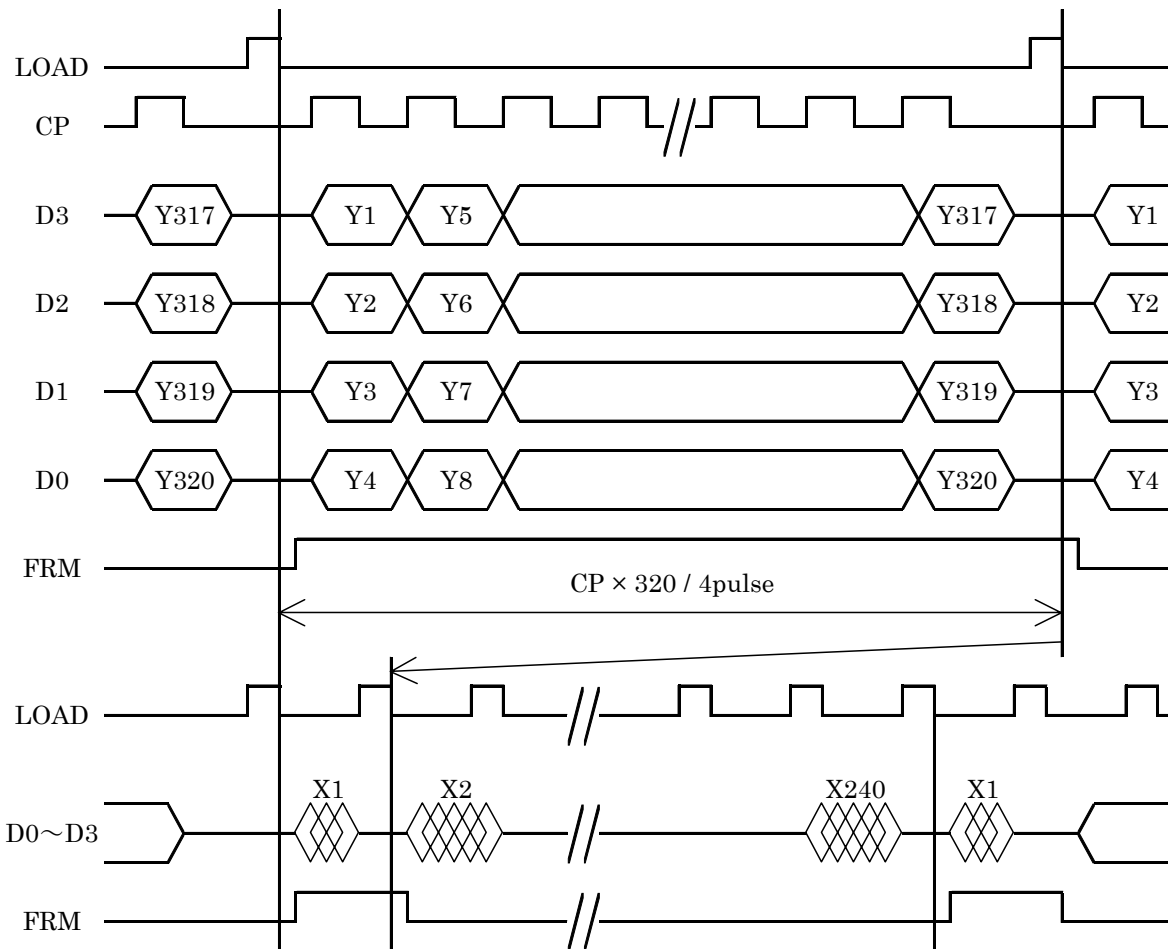
LCD connector : 08-6210-020-340-800+ (ELCO)
 Recommended matching FFC or FPC : 0.5mm pitch

8-2. Pin assignment of LED

| No. | Symbol | Description |
|-----|--------|-------------|
| 1 | AN1 | Anode 1 |
| 2 | AN2 | Anode 2 |
| 3 | AN3 | Anode 3 |
| 4 | CA1 | Cathode 1 |
| 5 | CA2 | Cathode 2 |
| 6 | CA3 | Cathode 3 |

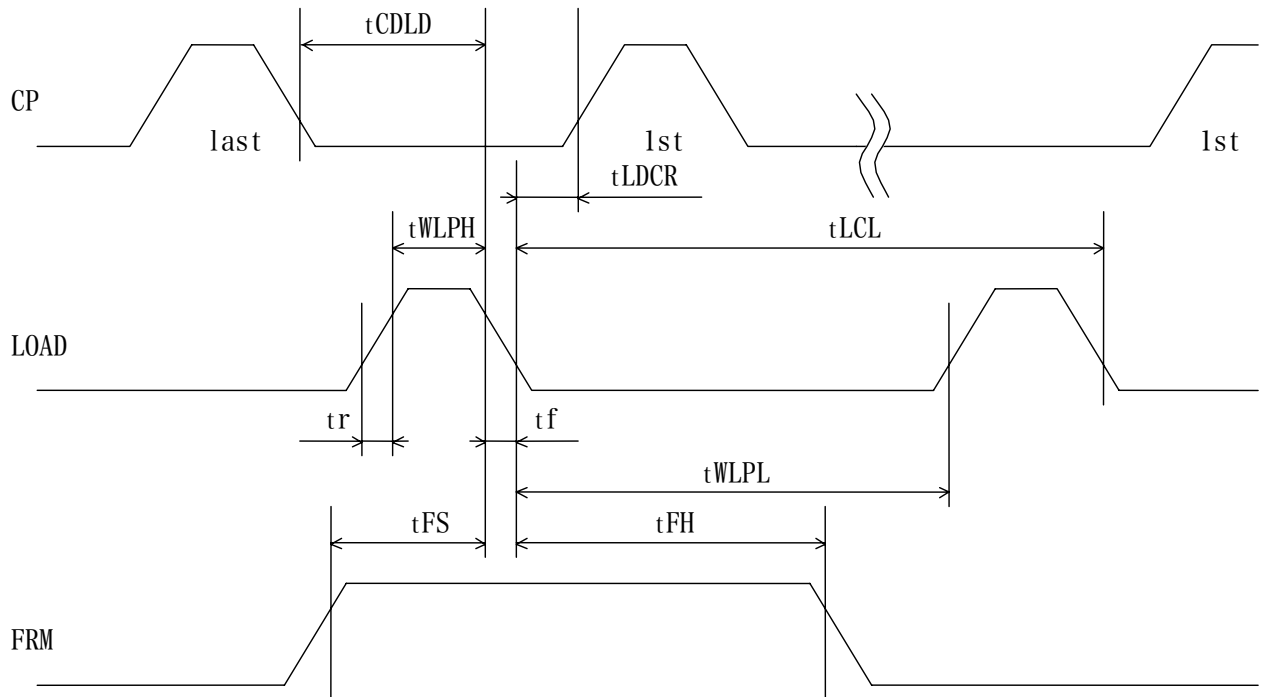
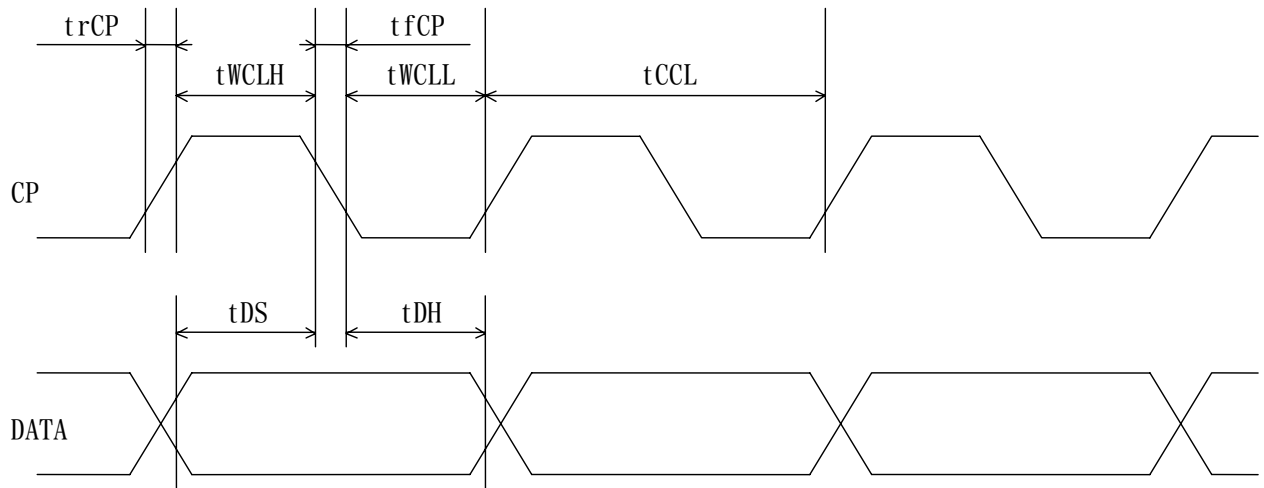
LCD side connector : SHLP-06V-S-B (JST)
 Recommended matching connector : SM06B-SHLS-TF (JST)
 : SM06B-SHLS-TF(LF)(SN) (JST)···(RoHS Compliant)

9. Interface timing chart



- * The cycle of the **LOAD** signal should be stable and continuously applied without interruption.
- * The above-mentioned timing chart is a reference to set up a LCD module, not an electrical rating.

10. Input timing characteristics



10-1. Switching characteristics ($V_{DD} = 5.0V$)Input characteristics : $V_{DD} = +5.0V \pm 5\%$, Temp. = $0 \sim 60^{\circ}C$

| Item | Symbol | Min. | Max. | Unit |
|-----------------------------|--------|------|------|------|
| CP cycle *1 | tCCL | 100 | - | ns |
| CP "H" pulse width | tWCLH | 30 | - | ns |
| CP "L" pulse width | tWCLL | 30 | - | ns |
| CP rise up time | trCP | - | 15 | ns |
| CP fall down time | tfCP | - | 15 | ns |
| Data set up time | tDS | 25 | - | ns |
| Data hold time | tDH | 25 | - | ns |
| LOAD "H" pulse width | tWLPH | 40 | - | ns |
| LOAD "L" pulse width | tWLPL | 400 | - | ns |
| LOAD cycle *2 | tLCL | 500 | - | ns |
| CP → LOAD delay time | tCDLD | 60 | - | ns |
| LOAD → CP delay time | tLDCR | 60 | - | ns |
| Input signal rise up time | tr | - | 20 | ns |
| Input signal fall down time | tf | - | 20 | ns |
| FRM data set up time | tFS | 120 | - | ns |
| FRM data hold time | tFH | 30 | - | ns |

*1 CP cycle is adjusted so that FRM signal is 75Hz.

*2 LOAD cycle is constant.

10-2. Switching characteristics ($V_{DD} = 3.3V$)Input characteristics : $V_{DD} = +3.3V \pm 0.3V$, Temp. = $0 \sim 60^{\circ}C$

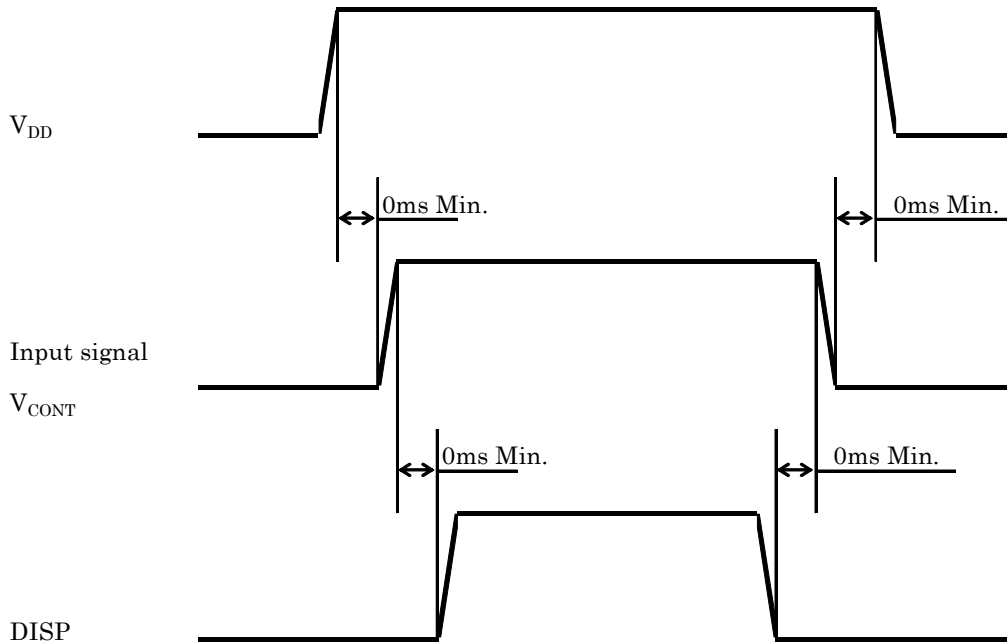
| Item | Symbol | Min. | Max. | Unit |
|-----------------------------|--------|------|------|------|
| CP cycle *1 | tCCL | 100 | - | ns |
| CP "H" pulse width | tWCLH | 40 | - | ns |
| CP "L" pulse width | tWCLL | 40 | - | ns |
| CP rise up time | trCP | - | 20 | ns |
| CP fall down time | tfCP | - | 20 | ns |
| Data set up time | tDS | 35 | - | ns |
| Data hold time | tDH | 35 | - | ns |
| LOAD "H" pulse width | tWLPH | 50 | - | ns |
| LOAD "L" pulse width | tWLPL | 400 | - | ns |
| LOAD cycle *2 | tLCL | 500 | - | ns |
| CP → LOAD delay time | tCDLD | 60 | - | ns |
| LOAD → CP delay time | tLDCR | 80 | - | ns |
| Input signal rise up time | tr | - | 20 | ns |
| Input signal fall down time | tf | - | 20 | ns |
| FRM data set up time | tFS | 120 | - | ns |
| FRM data hold time | tFH | 30 | - | ns |

*1 CP cycle is adjusted so that FRM signal is 75Hz.

*2 LOAD cycle is constant.

11. Supply voltage sequence condition

In normal operation, logic within the LCD module reverses the polarity of the drive voltage every few lines to prevent DC damage to the liquid crystal material. But when a voltage is present on V_{CONT} outside of the time when the V_{DD} logic voltage is stable, a drive voltage is applied to the liquid crystal material without the polarity reversals. This sometimes result in a deterioration of display quality and a reduction in life time.



* Input signal: FRM, LOAD, CP, D0~D3

* The above sequence should be designed as to maintain each normal voltage when the liquid crystal module load is applied to your system.

* Control the supply voltage sequence to not float any signal line when the LCD panel is being driven.

12. Backlight characteristics

LED ratings

| Item | Symbol | Min. | Typ. | Max. | Unit | Note |
|----------------------------|--------|------|----------|------|------|------------------|
| Forward current *1 | IF | - | 25 | - | mA | Ta=0~60°C |
| Forward voltage *1 | VF | - | 23.8 | 26.6 | V | IF=25mA, Ta=0°C |
| | | - | 23.1 | 25.9 | V | IF=25mA, Ta=25°C |
| | | - | 22.3 | 25.1 | V | IF=25mA, Ta=60°C |
| Operating life time *2, *3 | T | - | (50,000) | - | h | IF=25mA, Ta=25°C |

*1 For each “AN1-CA1”, “AN2-CA2” and “AN3-CA3”

*2 When brightness decrease 50% of initial brightness.

*3 Life time is estimated data.

* An input current below 8.0mA may reduce the brightness uniformity of the LED backlight. This is because the amount of light from each LED chip is different. Therefore, please evaluate carefully before finalizing the input current.

13. Lot number identification

The lot number shall be indicated on the back of the backlight case of each LCD.

KG057QVLCD-G020 - □□ - □□ - □ MADE IN □□□□□

↓ ↓ ↓ ↓ ↓ ↓
1 2 3 4 5

No1. - No5. above indicate

1. Year code
2. Month code
3. Date
4. Version Number
5. Country of origin (Japan or China)

| | | | | | | |
|------|------|------|------|------|------|------|
| Year | 2007 | 2008 | 2009 | 2010 | 2011 | 2012 |
| Code | 7 | 8 | 9 | 0 | 1 | 2 |

| | | | | | | |
|-------|------|------|------|------|-----|------|
| Month | Jan. | Feb. | Mar. | Apr. | May | Jun. |
| Code | 1 | 2 | 3 | 4 | 5 | 6 |

| | | | | | | |
|-------|------|------|------|------|------|------|
| Month | Jul. | Aug. | Sep. | Oct. | Nov. | Dec. |
| Code | 7 | 8 | 9 | X | Y | Z |

14. Warranty

14-1. Incoming inspection

Please inspect the LCD within one month after your receipt.

14-2. Production warranty

Kyocera warrants its LCD's for a period of 12 months from the ship date. Kyocera shall, by mutual agreement, replace or re-work defective LCD's that are shown to be Kyocera's responsibility.

15. Precautions for use

15-1. Installation of the LCD

- 1) The LCD module has a grounding hole. Please ground the module to prevent noise and to stabilize its performance as circumstances demand.
- 2) A transparent protection plate shall be added to protect the LCD and its polarizer.
- 3) The LCD shall be installed so that there is no pressure on the LSI chips.
- 4) The LCD shall be installed flat, without twisting or bending.
- 5) The display window size should be the same as the effective viewing area.
- 6) Please refer to the following our recommendable value of Clamp-down torque when installing.
Clamp-down torque : $0.32 \pm 0.03 \text{N} \cdot \text{m}$
Please set up 'SPEED-LOW', 'SOFT START-SLOW' when using electric driver.
Recommendable screw JIS tapping screw two types nominal dia.3.0mm installing boss hole depth $3.5 \pm 0.5 \text{mm}$
Please be careful not to use high torque which may damage LCD module in installation.
- 7) A transparent protection sheet is attached to the polarizer. Please remove the protection film slowly before use, paying attention to static electricity.

15-2. Static electricity

- 1) Since CMOS ICs are mounted directly onto the LCD glass, protection from static electricity is required.
- 2) Workers should use body grounding. Operator should wear ground straps.

15-3. LCD operation

- 1) The LCD shall be operated within the limits specified. Operation at values outside of these limits may shorten life, and/or harm display images.
- 2) Adjust the "Supply voltage for LCD driving (V_{CONT})" to obtain optimum viewing angle and contrast ratio.

15-4. Storage

- 1) The LCD shall be stored within the temperature and humidity limits specified.
Store in a dark area, and protect the LCD from direct sunlight or fluorescent light.
- 2) Always store the LCD so that it is free from external pressure onto it.

15-5. Usage

- 1) **DO NOT** store in a high humidity environment for extended periods. Polarizer degradation bubbles, and/or peeling off of the polarizer may result.
- 2) The front polarizer is easily scratched or damaged. Prevent touching it with any hard material, and from being pushed or rubbed.
- 3) The LCD screen may be cleaned by wiping the screen surface with a soft cloth or cotton pad using a little Ethanol.
- 4) Water may cause damage or discoloration of the polarizer. Clean condensation or moisture from any source immediately.
- 5) Always keep the LCD free from condensation during testing. Condensation may permanently spot or stain the polarizer.
- 6) Do not pull the LED lead wires and do not bend the root of the wires. Housing should be designed to protect LED lead wires from external stress.
- 7) Do not disassemble LCD module because it will result in damage.
- 8) This Kyocera LCD module has been specifically designed for use in general electronic devices, but not for use in a special environment such as usage in an active gas. Hence, when the LCD is supposed to be used in a special environment, evaluate the LCD thoroughly beforehand and do not expose the LCD to chemicals such as an active gas.
- 9) Please do not use solid-base image pattern for long hours because a temporary afterimage may appear. We recommend using screen saver etc. in cases where a solid-base image pattern must be used.
- 10) Liquid crystal may leak when the module is broken. Be careful not to let the fluid go into your eyes and mouth. In the case the fluid touches your body; rinse it off right away with water and soap.

16. Reliability test data

| Test item | Test condition | Test time | Judgement |
|--------------------------------|--------------------------------------|-----------|--|
| High temp. atmosphere | 60°C | 240h | Display function : No defect Display quality : No defect Current consumption : No defect |
| Low temp. atmosphere | -20°C | 240h | Display function : No defect Display quality : No defect Current consumption : No defect |
| High temp. humidity atmosphere | 40°C 90% RH | 240h | Display function : No defect Display quality : No defect Current consumption : No defect |
| Temp. cycle | -20°C 0.5h R.T. 0.5h 60°C 0.5h | 10cycles | Display function : No defect Display quality : No defect Current consumption : No defect |
| High temp. operation | 60°C | 500h | Display function : No defect Display quality : No defect Current consumption : No defect |

* Each test item uses a test LCD only once. The tested LCD is not used in any other tests.

* The LCD is tested in circumstances in which there is no condensation.

* The reliability test is not an out-going inspection.

* The result of the reliability test is for your reference purpose only.

The reliability test is conducted only to examine the LCD's capability.

| | |
|----------|-----------------------|
| Spec No. | TQ3C-8EAS0-E2DAM30-00 |
| Date | August 8, 2007 |

KYOCERA INSPECTION STANDARD

TYPE : KG057QVLCD-G020

KYOCERA CORPORATION
KAGOSHIMA HAYATO PLANT
LCD DIVISION

| Original Issue Date | Designed by : Engineering dept. | | | Confirmed by : QA dept. | |
|---------------------|---------------------------------|--------------------|---------------------|-------------------------|----------------|
| | Prepared | Checked | Approved | Checked | Approved |
| August 8, 2007 | <i>Y. Asano</i> | <i>T. Takemura</i> | <i>Y. MATSUMOTO</i> | <i>J. Sakaguchi</i> | <i>K. Imai</i> |

| | | |
|-----------------------------------|-----------------------------|-----------|
| Spec No. TQ3C-8EAS0-E2DAM30-00 | Part No. KG057QVLCD-G020 | Page - |
|-----------------------------------|-----------------------------|-----------|

Revision record

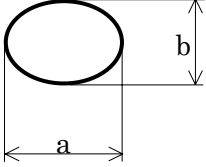
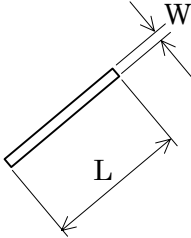
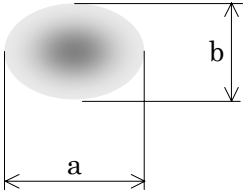
| Date | | Designed by : Engineering dept. | | | Confirmed by : QA dept. | |
|---------|------|---------------------------------|--------------|----------|-------------------------|----------|
| | | Prepared | Checked | Approved | Checked | Approved |
| | | | | | | |
| Rev.No. | Date | Page | Descriptions | | | |
| | | | | | | |

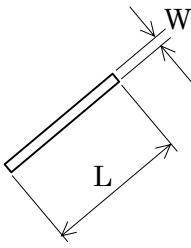
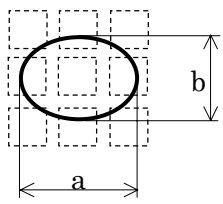
Visuals specification

1) Note

| Item | Note | | | | | | |
|--------------------------------------|--|--|--|--------------------|---|--------------------------------------|--|
| General | <p>1. When defects specified in this Inspection Standards are inspected, operating voltage (V_{OP}) shall be set at the level where optimized contrast is available. Display quality is applied up to effective viewing area. (Bi-level INSPECTION)</p> <p>2. This inspection standard about the image quality shall be applied to any defect within the effective viewing area and shall not be applicable to outside of the area.</p> <p>3. Should any defects which are not specified in this standard happen, additional standard shall be determined by mutual agreement between customer and Kyocera.</p> <p>4. Inspection conditions</p> <p style="margin-left: 40px;">Luminance : 500 Lux minimum.</p> <p style="margin-left: 40px;">Inspection distance : 300 mm (from the sample)</p> <p style="margin-left: 40px;">Temperature : $25 \pm 5^{\circ}\text{C}$</p> <p style="margin-left: 40px;">Direction : right above</p> | | | | | | |
| Definition of inspection item | <table border="1" style="width: 100%; border-collapse: collapse;"> <tr> <td style="width: 60%;">Pinhole, Bright spot Black spot, Scratch Foreign particle</td> <td style="width: 40%;">The color of a small area is different from the remainder. The phenomenon does not change with voltage.</td> </tr> <tr> <td>Contrast variation</td> <td>The color of a small area is different from the remainder. The phenomenon change with voltage.</td> </tr> <tr> <td>Polarizer (Scratch, Bubble, Dent)</td> <td>Scratch, Bubble and Dent in the polarizer which can be observed in on / off state.</td> </tr> </table> | Pinhole, Bright spot Black spot, Scratch Foreign particle | The color of a small area is different from the remainder. The phenomenon does not change with voltage. | Contrast variation | The color of a small area is different from the remainder. The phenomenon change with voltage. | Polarizer (Scratch, Bubble, Dent) | Scratch, Bubble and Dent in the polarizer which can be observed in on / off state. |
| | Pinhole, Bright spot Black spot, Scratch Foreign particle | The color of a small area is different from the remainder. The phenomenon does not change with voltage. | | | | | |
| | Contrast variation | The color of a small area is different from the remainder. The phenomenon change with voltage. | | | | | |
| Polarizer (Scratch, Bubble, Dent) | Scratch, Bubble and Dent in the polarizer which can be observed in on / off state. | | | | | | |
| | | | | | | | |

2)Standard

| Inspection item | Judgement standard | | | | | | | | | | | | | | | | | | | | | | | |
|---|---|--------------------|-------------------------|-------------------|-------------------|--------------|---------------|---|--------------------|---|----------------------|--------------------|-----------|---|--------------------|---|---|--|-----------|---|---|------------|---|-------------------------|
| Pinhole, Bright spot, Black spot, Foreign particle |  $d = (a + b) / 2$ <table border="1" data-bbox="608 573 1417 775"> <thead> <tr> <th>Category</th> <th>Size(mm)</th> <th>Acceptable number</th> </tr> </thead> <tbody> <tr> <td>A</td> <td>$d \leq 0.2$</td> <td>Neglected</td> </tr> <tr> <td>B</td> <td>$0.2 < d \leq 0.3$</td> <td>5</td> </tr> <tr> <td>C</td> <td>$0.3 < d \leq 0.5$</td> <td>3</td> </tr> <tr> <td>D</td> <td>$0.5 < d$</td> <td>0</td> </tr> </tbody> </table> | Category | Size(mm) | Acceptable number | A | $d \leq 0.2$ | Neglected | B | $0.2 < d \leq 0.3$ | 5 | C | $0.3 < d \leq 0.5$ | 3 | D | $0.5 < d$ | 0 | | | | | | | | |
| Category | Size(mm) | Acceptable number | | | | | | | | | | | | | | | | | | | | | | |
| A | $d \leq 0.2$ | Neglected | | | | | | | | | | | | | | | | | | | | | | |
| B | $0.2 < d \leq 0.3$ | 5 | | | | | | | | | | | | | | | | | | | | | | |
| C | $0.3 < d \leq 0.5$ | 3 | | | | | | | | | | | | | | | | | | | | | | |
| D | $0.5 < d$ | 0 | | | | | | | | | | | | | | | | | | | | | | |
| Scratch, Foreign particle |  <table border="1" data-bbox="608 1149 1417 1473"> <thead> <tr> <th></th> <th>Width (mm)</th> <th>Length (mm)</th> <th>Acceptable number</th> </tr> </thead> <tbody> <tr> <td>A</td> <td>$W \leq 0.03$</td> <td>-</td> <td>Neglected</td> </tr> <tr> <td>B</td> <td rowspan="2">$0.03 < W \leq 0.10$</td> <td>$L \leq 2.0$</td> <td>Neglected</td> </tr> <tr> <td>C</td> <td>$2.0 < L \leq 4.0$</td> <td>3</td> </tr> <tr> <td>D</td> <td></td> <td>$4.0 < L$</td> <td>0</td> </tr> <tr> <td>E</td> <td>$0.10 < W$</td> <td>-</td> <td>According to 'Circular'</td> </tr> </tbody> </table> | | Width (mm) | Length (mm) | Acceptable number | A | $W \leq 0.03$ | - | Neglected | B | $0.03 < W \leq 0.10$ | $L \leq 2.0$ | Neglected | C | $2.0 < L \leq 4.0$ | 3 | D | | $4.0 < L$ | 0 | E | $0.10 < W$ | - | According to 'Circular' |
| | Width (mm) | Length (mm) | Acceptable number | | | | | | | | | | | | | | | | | | | | | |
| A | $W \leq 0.03$ | - | Neglected | | | | | | | | | | | | | | | | | | | | | |
| B | $0.03 < W \leq 0.10$ | $L \leq 2.0$ | Neglected | | | | | | | | | | | | | | | | | | | | | |
| C | | $2.0 < L \leq 4.0$ | 3 | | | | | | | | | | | | | | | | | | | | | |
| D | | $4.0 < L$ | 0 | | | | | | | | | | | | | | | | | | | | | |
| E | $0.10 < W$ | - | According to 'Circular' | | | | | | | | | | | | | | | | | | | | | |
| Contrast variation |  $d = (a + b) / 2$ <table border="1" data-bbox="608 1785 1417 1951"> <thead> <tr> <th>Category</th> <th>Size (mm)</th> <th>Acceptable number</th> </tr> </thead> <tbody> <tr> <td>A</td> <td>$d \leq 0.5$</td> <td>Neglected</td> </tr> <tr> <td>B</td> <td>$0.5 < d \leq 0.7$</td> <td>3</td> </tr> <tr> <td>C</td> <td>$0.7 < d$</td> <td>0</td> </tr> </tbody> </table> | Category | Size (mm) | Acceptable number | A | $d \leq 0.5$ | Neglected | B | $0.5 < d \leq 0.7$ | 3 | C | $0.7 < d$ | 0 | | | | | | | | | | | |
| Category | Size (mm) | Acceptable number | | | | | | | | | | | | | | | | | | | | | | |
| A | $d \leq 0.5$ | Neglected | | | | | | | | | | | | | | | | | | | | | | |
| B | $0.5 < d \leq 0.7$ | 3 | | | | | | | | | | | | | | | | | | | | | | |
| C | $0.7 < d$ | 0 | | | | | | | | | | | | | | | | | | | | | | |

| Inspection item | Judgement standard | | | | | | | | | | | | | | | | | | | |
|---|--|-------------------|-------------------|----------------|----------------|-----------|--------------|--------------------|-----------|---|--------------------|--------------|-----------|-----------|-----------|---|---|-----------|---|---|
| Polarizer (Scratch, Bubble, Dent) | <p>(1) Scratch</p>  <table border="1" data-bbox="608 728 1417 1014"> <thead> <tr> <th></th> <th>Width (mm)</th> <th>Length (mm)</th> <th>Acceptable No.</th> </tr> </thead> <tbody> <tr> <td>A</td> <td>$W \leq 0.1$</td> <td>-</td> <td>Neglected</td> </tr> <tr> <td>B</td> <td rowspan="2">$0.1 < W \leq 0.3$</td> <td>$L \leq 5.0$</td> <td>Neglected</td> </tr> <tr> <td>C</td> <td>$5.0 < L$</td> <td>0</td> </tr> <tr> <td>D</td> <td>$0.3 < W$</td> <td>-</td> <td>0</td> </tr> </tbody> </table> | | Width (mm) | Length (mm) | Acceptable No. | A | $W \leq 0.1$ | - | Neglected | B | $0.1 < W \leq 0.3$ | $L \leq 5.0$ | Neglected | C | $5.0 < L$ | 0 | D | $0.3 < W$ | - | 0 |
| | | Width (mm) | Length (mm) | Acceptable No. | | | | | | | | | | | | | | | | |
| A | $W \leq 0.1$ | - | Neglected | | | | | | | | | | | | | | | | | |
| B | $0.1 < W \leq 0.3$ | $L \leq 5.0$ | Neglected | | | | | | | | | | | | | | | | | |
| C | | $5.0 < L$ | 0 | | | | | | | | | | | | | | | | | |
| D | $0.3 < W$ | - | 0 | | | | | | | | | | | | | | | | | |
| <p>(2) Bubble (dent)</p>  $d = (a + b) / 2$ <table border="1" data-bbox="608 1574 1417 1843"> <thead> <tr> <th>Category</th> <th>Size (mm)</th> <th>Acceptable number</th> </tr> </thead> <tbody> <tr> <td>A</td> <td>$d \leq 0.2$</td> <td>Neglected</td> </tr> <tr> <td>B</td> <td>$0.2 < d \leq 0.3$</td> <td>5</td> </tr> <tr> <td>C</td> <td>$0.3 < d \leq 0.5$</td> <td>3</td> </tr> <tr> <td>D</td> <td>$0.5 < d$</td> <td>0</td> </tr> </tbody> </table> | Category | Size (mm) | Acceptable number | A | $d \leq 0.2$ | Neglected | B | $0.2 < d \leq 0.3$ | 5 | C | $0.3 < d \leq 0.5$ | 3 | D | $0.5 < d$ | 0 | | | | | |
| Category | Size (mm) | Acceptable number | | | | | | | | | | | | | | | | | | |
| A | $d \leq 0.2$ | Neglected | | | | | | | | | | | | | | | | | | |
| B | $0.2 < d \leq 0.3$ | 5 | | | | | | | | | | | | | | | | | | |
| C | $0.3 < d \leq 0.5$ | 3 | | | | | | | | | | | | | | | | | | |
| D | $0.5 < d$ | 0 | | | | | | | | | | | | | | | | | | |