

LB040Q03-TD01-B11 (S6FS201)
< General Spec >

CIRCUIT DESIGN 4TEAM
JUNG TAE WOO



(2005 / 09 /04)

GENERAL DESCRIPTION



➤ Description

- 1> Transmissive Landscape Type color AM TFT LCD (a:Si)
- 2> TFT LCD Module, FPC, Back Light Unit

➤ Feature

- 1> Transmissive and LED B/L with Six LEDs
- 2> TN Mode
- 3> Line Inversion mode with Stripe Type
- 4> 18Bit RGB I/F + Serial Peripheral Interface (SPI) → D-IC : S6FS201 (SS) 2 Chip + GIP
- 5> Sync (Vsync, Hsync, Dotclk) mode

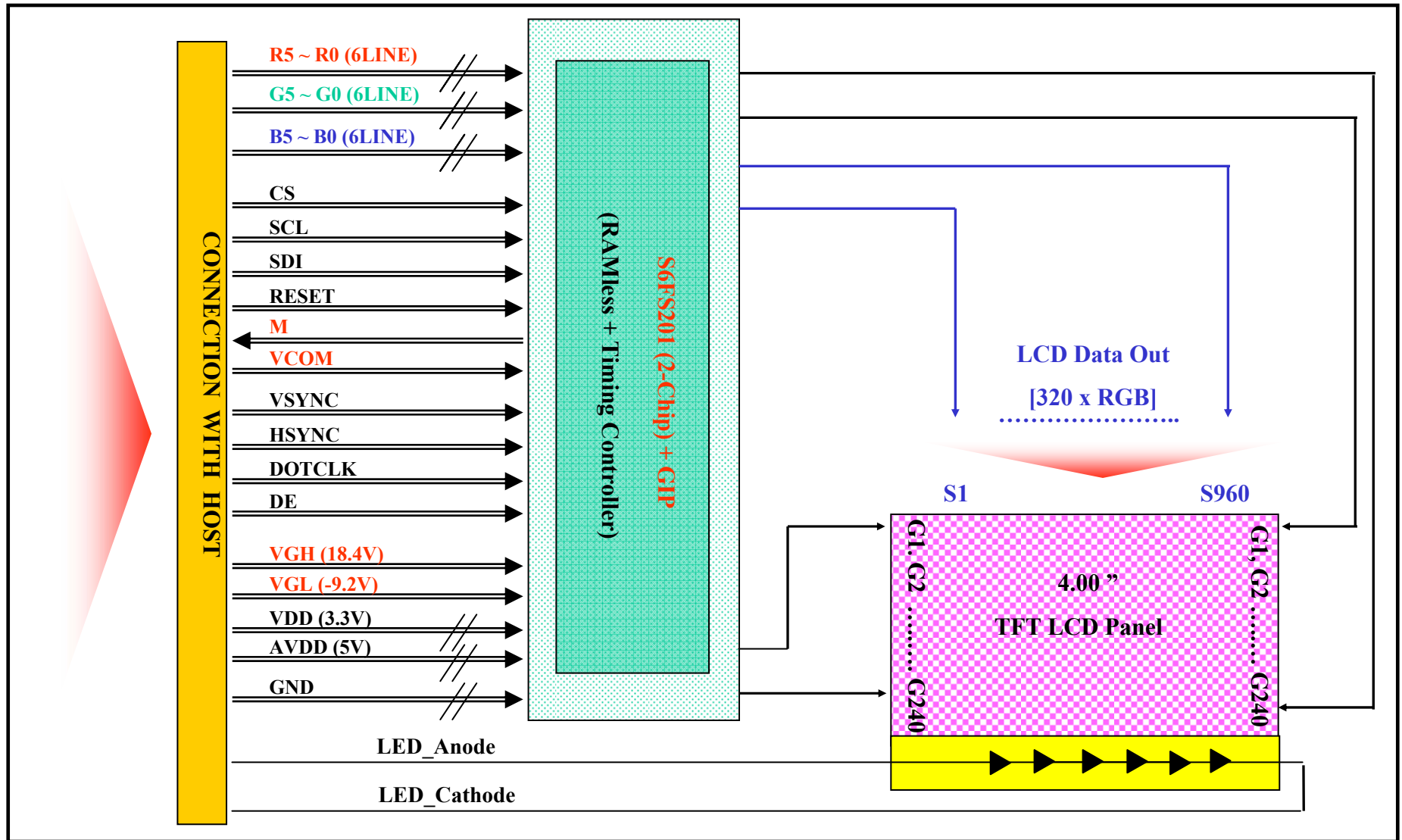
➤ Application

- 1> VoIP Phone , PMP (Portable Multimedia Player)

➤ General Information

Items	Specification	Unit	Note
Display Area	81.6(H) X 61.2(V)	mm	
Driver Element	A-Si TFT Active Matrix	-	
Display Colors	260K	Colors	
Number of Pixels	320 RGB (H) x 240 (V)	Dot	
Pixel Arrangement	Stripe Type	-	
Pixel Pitch	0.255mm x 0.255mm	mm	
Display Mode	Normally White	-	
Viewing Angle	6	O'clock	

CONCEPT (Circuit Block Diagram)

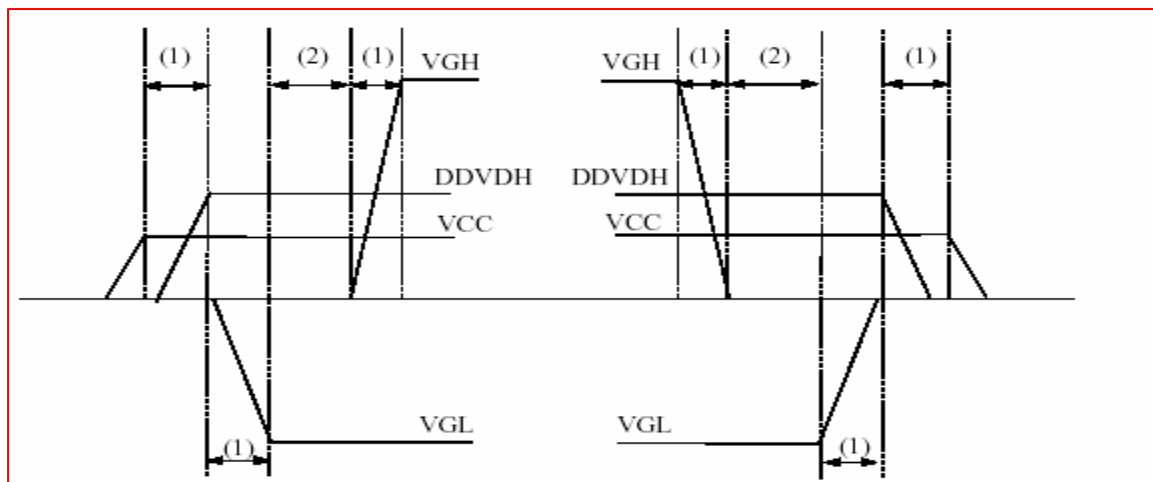


➤ Characteristics

Items	Symbol	Typ.	Unit
Digital Supply Voltage	VDD	3.3	V
Analog Supply Voltage	AVDD	4.9	V
Gate On Voltage	VGH	18.2	V
Gate Off Voltage	VGL	-9.2	V
Frame Frequency	fFrame	65	Hz
Dot CLK	DOTCLK	6.5	Mhz
Serial CLK	SCL	16 (Max)	Mhz

Note | $|VGH-Vgoff|_{max.} < 25V$

➤ Power Sequence



GENERAL SPEC



Item		LB040Q03	Remark
General Spec	Active Area	81.6 (H) x 61.2 (V)	[mm x mm]
	Pixel Pitch	0.255 x 0.255	[mm x mm]
	Outline Dimension	96.0(H) x 75.6 (V) x 3.49 (T)	Not Include FPC
	Resolution	320 x RGB x 240	
	Mode	TN	Normally White
	Power Consumption	600	mW [Max.]
	Viewing Angle	6 [15/35/45/45]	O'clock [U/D/L/R], >CR10
	Color Depth	6 / 6 / 6	Bit (RGB)
	Weight	60	g [Max.]
Electro-Optical Characteristic	Luminance	200	nit [Typ.]
	Contrast Ratio	300:1	[Typ.]
	Response Time	30 [Tr+Tf]	msec [Typ.]
	Color Gamut	40	%
Electric Characteristic	Interface	RGB + SPI I/F	Sync Mode [DE 대응 可]
	Input Voltage	VDD(3.3) / AVDD(4.9)	V / V