

SPECIFICATION FOR APPROVAL

- (◆) Preliminary Specification
 () Final Specification

Title	12.1" SVGA TFT LCD
-------	--------------------

Customer	
MODEL	

SUPPLIER	LG Display Co., Ltd.
*MODEL	LB121S03
Suffix	TL03

*When you obtain standard approval,
 please use the above model name without suffix

APPROVED BY	SIGNATURE
/	_____
/	_____
/	_____

Please return 1 copy for your confirmation with your signature and comments.

APPROVED BY	SIGNATURE
_____	_____
REVIEWED BY	
_____	_____
PREPARED BY	
_____	_____

Products Engineering Dept.
 LG Display Co., Ltd

Contents

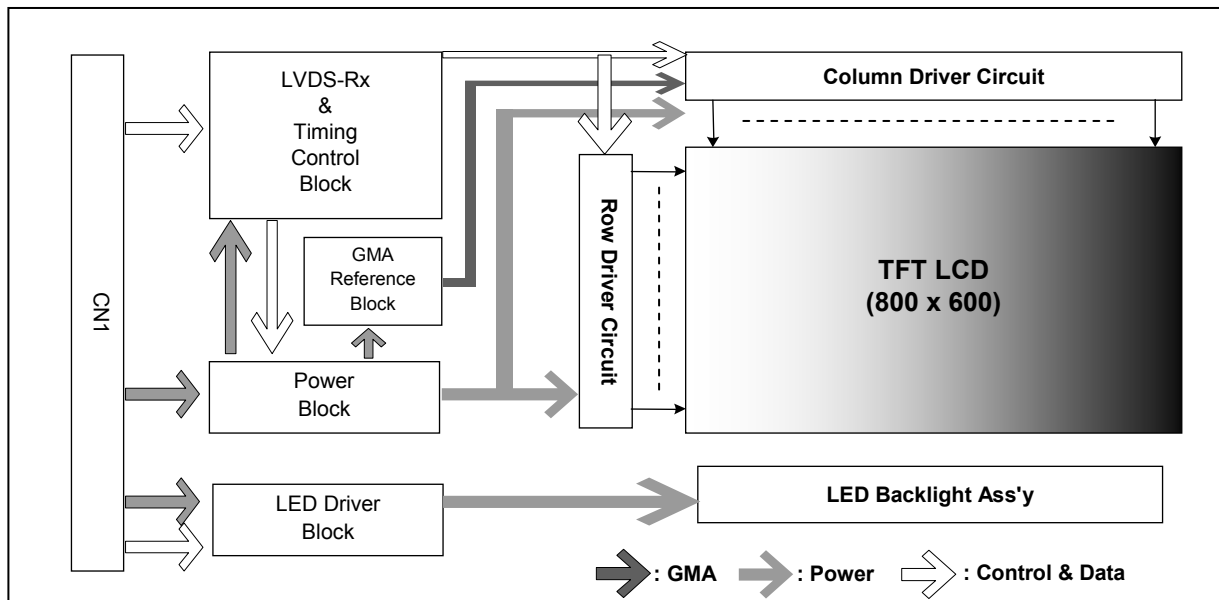
No	ITEM	Page
	COVER	1
	CONTENTS	2
	RECORD OF REVISIONS	3
1	GENERAL DESCRIPTION	4
2	ABSOLUTE MAXIMUM RATINGS	5
3	ELECTRICAL SPECIFICATIONS	
3-1	ELECTRICAL CHARACTERISTICS	6
3-2	INTERFACE CONNECTIONS	7
3-3	LVDS SIGNAL TIMING SPECIFICATIONS	8
3-4	SIGNAL TIMING SPECIFICATION	10
3-5	COLOR DEPTH AND SYSTEM DESIGN	11
3-6	POWER SEQUENCE	16
4	OPTICAL SPECIFICATIONS	18
5	MECHANICAL CHARACTERISTICS	22
6	RELIABILITY	24
7	INTERNATIONAL STANDARDS	
7-1	SAFETY	26
7-2	Environmental	26
7-3	EMC	26
8	PACKING	
8-1	DESIGNATION OF LOT MARK	27
8-2	PACKING FORM	27
9	PRECAUTIONS	28

1. General Description

The LB121S03-TL03 is a Color Active Matrix Liquid Crystal Display with an integral LED backlight system. The matrix employs a-Si Thin Film Transistor as the active element. It is a transmissive type display operating in the normally white mode. This TFT-LCD has 12.1 inches diagonally measured active display area with SVGA resolution(800 horizontal by 600 vertical pixel array). Each pixel is divided into Red, Green and Blue sub-pixels or dots which are arranged in vertical stripes. Gray scale or the brightness of the sub-pixel color is determined with a 8-bit(or 6-bit) gray scale signal for each dot, thus, presenting a palette of more than 16,777,216(or 262,144) colors.

The LB121S03-TL03 has been designed to apply the interface method that enables low power, high speed, low EMI.

The LB121S03-TL03 is intended to support applications where thin thickness, low power are critical factors and graphic displays are important. In combination with the vertical arrangement of the sub-pixels, the LB121S03-TL03 characteristics provide an excellent flat display for office automation products such as PC or etc.



General Features

Active Screen Size	12.1 inches(30.75cm) diagonal
Outline Dimension	276(H) × 209(V) × 9(D) mm (Typ.)
Pixel Pitch	0.3075 mm × 0.3075 mm
Pixel Format	800 horiz. By 600 vert. Pixels RGB strip arrangement
Color Depth	16,777,216 colors (A-FRC) @ 8-bit input 262,144 colors @ 6-bit input
Luminance, White	450 cd/m ² (Typ.)
Power Consumption	Total 6.81 Watt(Typ.) @ LCM circuit 0.69 Watt(Typ.), B/L input 6.12 Watt(Typ.)
Weight	509g (Typ) 514g(Max)
Display Operating Mode	Transmissive mode, normally white
Surface Treatment	Anti-glare
RoHS Comply	Yes

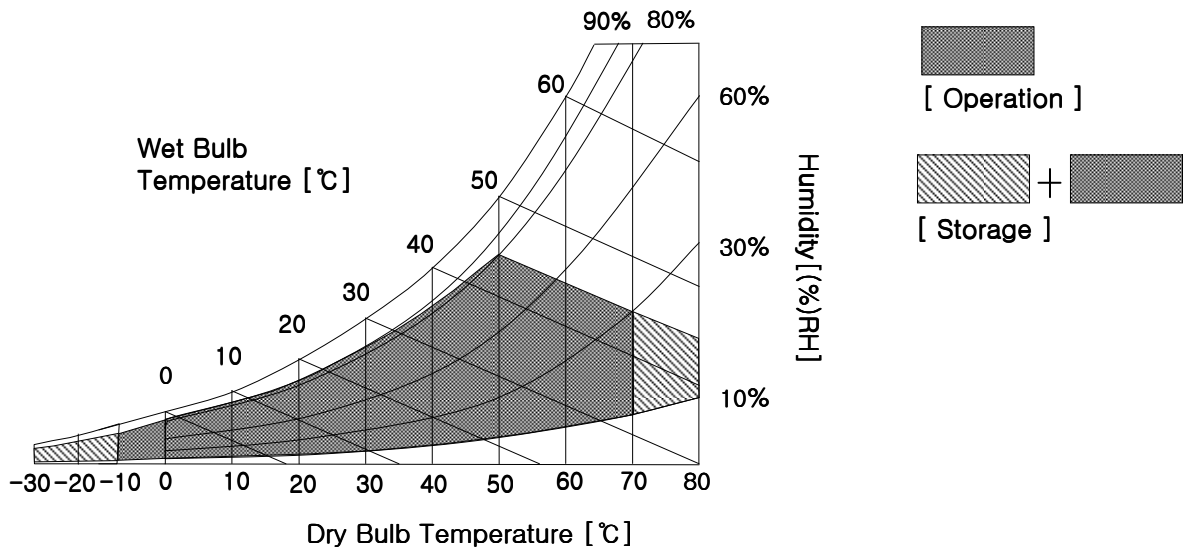
2. Absolute Maximum Ratings

The following are maximum values which, if exceeded, may cause faulty operation or damage to the unit.

Table 1. ABSOLUTE MAXIMUM RATINGS

Parameter		Symbol	Values		Units	Notes	
			Min	Max			
Power Input Voltage	LCD circuit	VCC	-0.3	4.0	Vdc	at 25 ± 5°C	
	LED circuit	V _{LED}	-0.3	15	Vdc		
Driver Control Voltage	LCD circuit	V _{BIT_SEL}	-0.3	4.0	Vdc		
	LED circuit	V _{PWM}	-0.3	6	Vdc		
		V _{LED_EN}	-0.3	15	Vdc		
Operating Temperature		T _{OP}	-20	70	°C		1
Storage Temperature		T _{ST}	-30	80	°C		1
Operating Ambient Humidity		H _{OP}	10	90	%RH		1
Storage Humidity		H _{ST}	10	90	%RH	1	

Note : 1. Temperature and relative humidity range are shown in the figure below.
 Wet bulb temperature should be 44°C Max, and no condensation of water.



3. Electrical Specifications

3-1. Electrical Characteristics

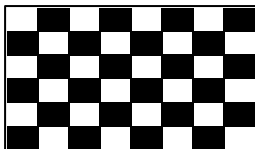
The LB121S03-TL03 requires two power inputs. One is employed to power the LCD electronics and to drive the TFT array and liquid crystal. The second input which powers the LED Backlight.

Table 2. ELECTRICAL CHARACTERISTICS

Parameter	Symbol	Values			Unit	Notes
		Min	Typ	Max		
MODULE :						
Power Supply Input Voltage	VCC	3.0	3.3	3.6	V _{DC}	
Power Supply Input Current	I _{CC}	-	210	270	mA	1
Power Consumption	P _c	-	0.69	0.89	Watt	1
LED Backlight (With LED Driver) :						
LED Power Input Voltage	V _{LED}	10.8	12	12.6	V	2
LED Power Input Current	I _{LED}	-	0.51	0.6	mA	3
LED Power Consumption	P _{LED}	-	6.12	7.2	Watt	3
PWM Duty Ratio		10		100	%	4
PWM Frequency	F _{PWM}	-	1	-	KHz	5
PWM High Level Voltage	V _{PWM,H}	3	3.3	5	V	
PWM Low Level Voltage	V _{PWM,L}	0		0.5	V	
LED_EN High Voltage	V _{LED_EN,H}	3	3.3	V _{LED}	V	
LED_EN Low Voltage	V _{LED_EN,L}	0		0.5	V	
Life Time		50,000	-	-	Hrs	6

Note)

1. The specified current and power consumption are under the V_{cc} = 3.3V , 25°C , f_v = 60Hz condition whereas Mosaic pattern(8x6) is displayed and f_v is the frame frequency.



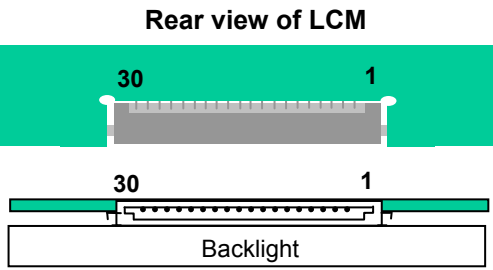
2. The measuring position is the connector of LCM and the test conditions are under 25°C.
3. The current and power consumption with LED Driver are under the V_{LED} = 12.0V , 25°C , Dimming of max luminance whereas white pattern is displayed.
4. The operation of LED Driver below minimum dimming ratio may cause flickering or reliability issue.
5. This Spec. is not effective at 100% dimming ratio as an exception because it has DC level equivalent to 0Hz. In spite of acceptable range as defined, the PWM frequency should be fixed and stable for more consistent brightness control at any specific level desired.
6. The life time is determined as the time at which brightness of LED is 50% compare to that of initial value at the typical LED current.

Product Specification

3-2. Interface Connections

The electronics interface connector is a model IS100-L30R-C23 manufactured by UJU.

Table 3. MODULE CONNECTOR PIN CONFIGURATION (CN1)

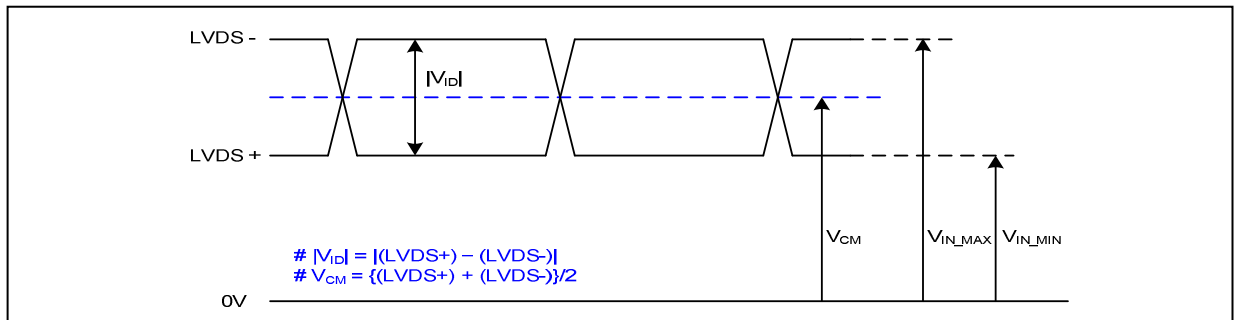
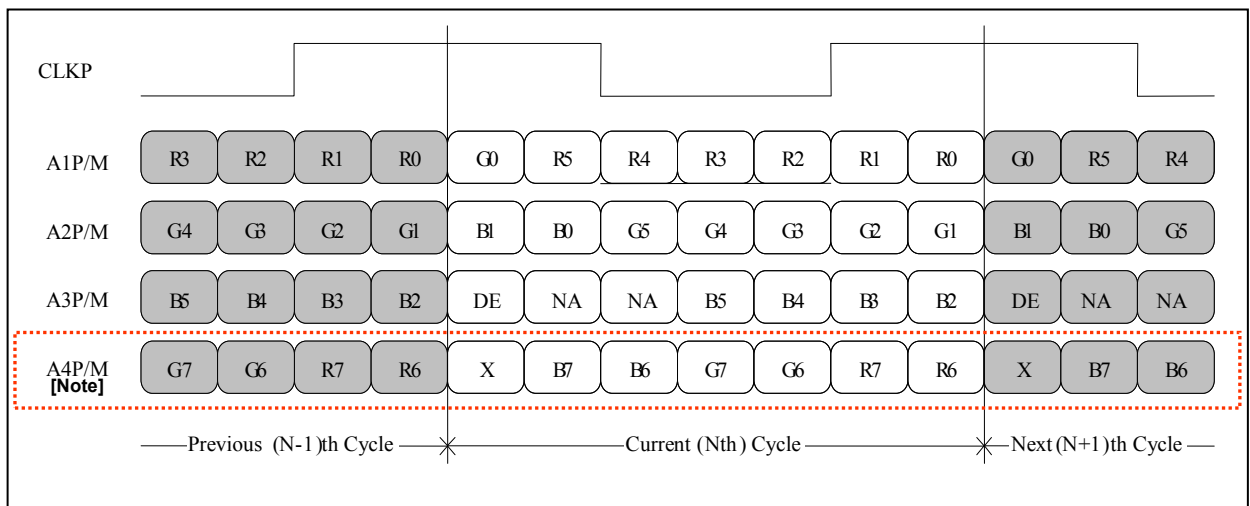
Pin	Symbol	Description	Notes
1	VCC	Power Supply for module, 3.3V Typ.	1, Interface chips 1.1 LCD : THine, KE5M6U2730WFP(LCD Controller) including LVDS Receiver 1.2 System : THC63LVDM83R or Equivalent 2, Connector 2.1 LCD : IS100-L30R-C23, UJU or Equivalent 2.2 Mating : FI-X30H and FI-X30HL (Manufactured by JAE) or Equivalent 
2	VCC	Power Supply for module, 3.3V Typ.	
3	GND	Ground	
4	Bit_SEL	Bit Selection, High(3.3V)/NC : 8 Bit, Low : 6 Bit	
5	A1M	Negative LVDS differential data input	
6	A1P	Positive LVDS differential data input	
7	GND	Ground	
8	A2M	Negative LVDS differential data input	
9	A2P	Positive LVDS differential data input	
10	GND	Ground	
11	A3M	Negative LVDS differential data input	
12	A3P	Positive LVDS differential data input	
13	GND	Ground	
14	CLKM	Negative LVDS differential clock input	
15	CLKP	Positive LVDS differential clock input	
16	GND	GND	
17	A4M	Negative LVDS differential data input(for 8 bit)	
18	A4P	Positive LVDS differential data input(for 8 bit)	
19	NC	Used only LGD internal test. Please treat it as NC.	
20	NC	Used only LGD internal test. Please treat it as NC.	
21	GND	Ground	
22	GND	Ground	
23	GND	Ground	
24	GND	Ground	
25	PWM	System PWM input for dimming control	
26	LED_EN	High(Typ.3.3V): Backlight On, Low(0V): Backlight Off	
27	GND	GND	
28	VLED	Power Supply, 12V Typ.	
29	VLED	Power Supply, 12V Typ.	
30	VLED	Power Supply, 12V Typ.	

- Notes : 1. All GND(ground) pins should be connected together and the LCD's metal frame.
 2. All V_{CC}(power input) pins should be connected together.

Product Specification

3-3. LVDS Signal Timing Specifications
3-3-1. DC specification

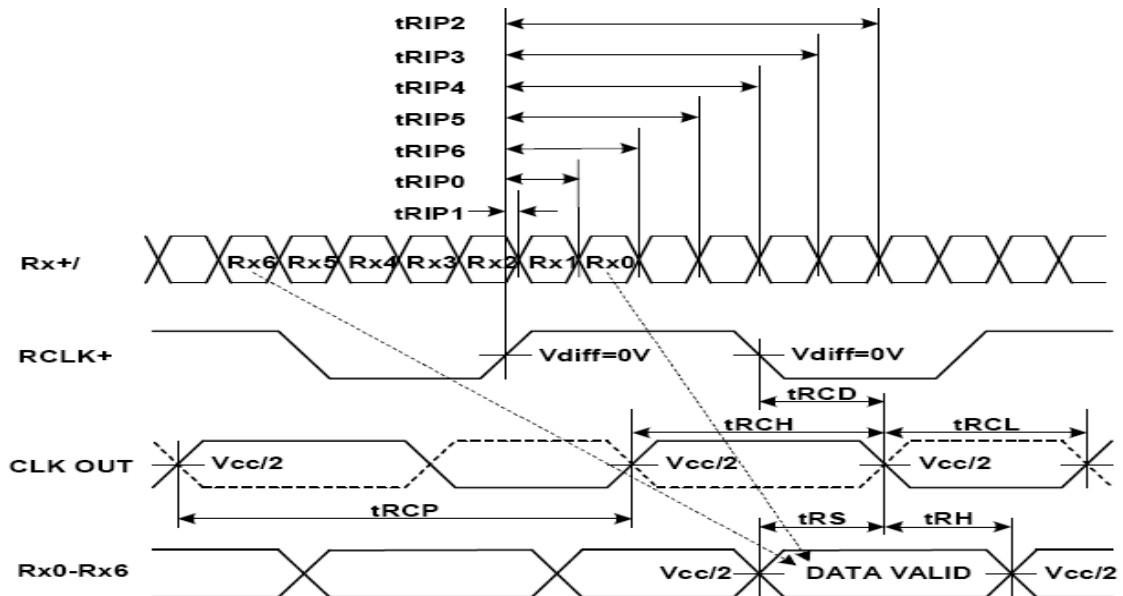
Description	Symbol	Min	Max	Unit	Notes
LVDS Differential Voltage	$ V_{ID} $	100	600	mV	-
LVDS Common mode Voltage	V_{CM}	0.6	1.8	V	-
LVDS Input Voltage Range	V_{IN}	0.3	2.1	V	-


3-3-2. Data format


Note : When input condition of 'Bit SEL' is low for 6bit operation(262,144 colors), A4 P/M is excluded among the pairs

3-3.3. AC specification

Symbol	Parameter	Min	Typ	Max	Unit
tCLK	LVDS CLK Period	25	25.9	27	ns
tRCH	CLK OUT High Time	-	4T/7	-	ns
tRCL	CLK OUT Low Time	-	3T/7	-	ns
tRS	Data Setup to CLK OUT	3T/7-2.5			ns
TRH	Data Hold from CLK OUT	4T/7-3.5	-	-	ns
tRIP1	Input Data Position 0	-0.4	0.0	0.4	ns
tRIP0	Input Data Position 1	T/7-0.4	T/7	T/7+0.4	ns
tRIP6	Input Data Position 2	2T/7-0.4	2T/7	2T/7+0.4	ns
tRIP5	Input Data Position 3	3T/7-0.4	3T/7	3T/7+0.4	ns
tRIP4	Input Data Position 4	4T/7-0.4	4T/7	4T/7+0.4	ns
tRIP3	Input Data Position 5	5T/7-0.4	5T/7	5T/7+0.4	ns
tRIP2	Input Data Position 6	6T/7-0.4	6T/7	6T/7+0.4	ns



< AC Timing Diagram >

Product Specification

3-4. Signal Timing Specification

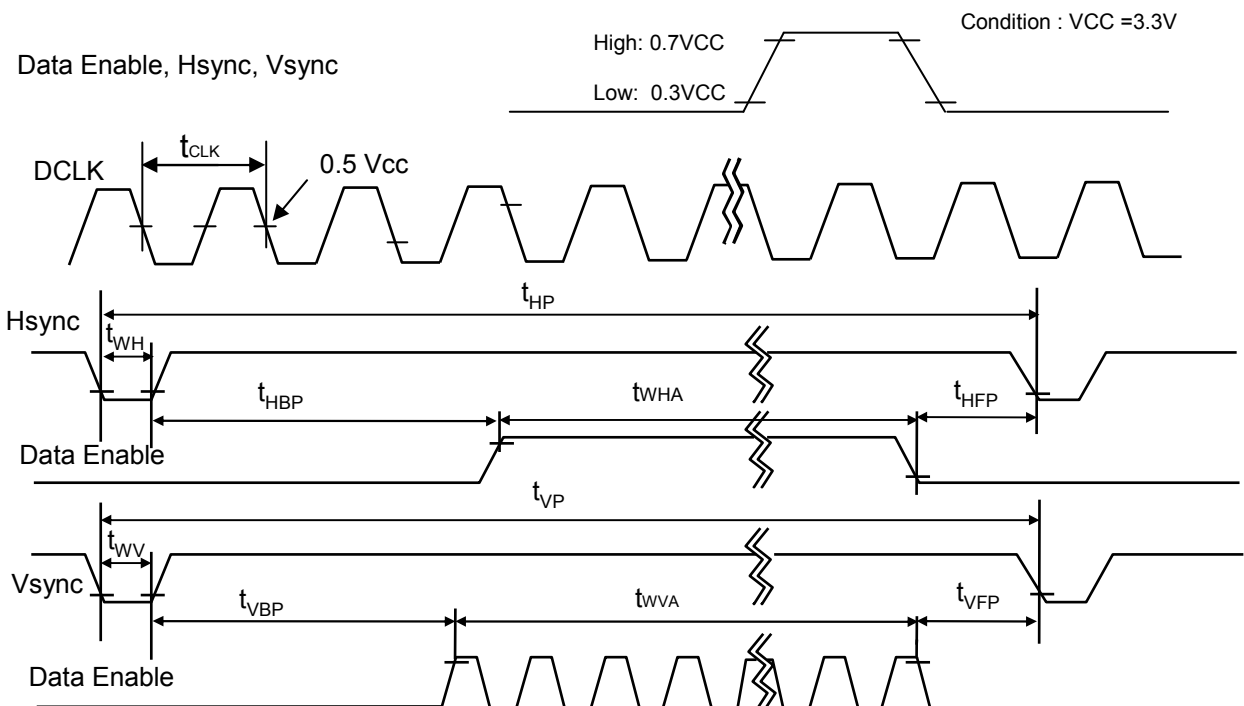
This is the signal timing required at the input of the CNT1. All of the interface signal timing should be satisfied with the following specifications and specifications of LVDS Tx/Rx for its proper operation.

Table 5. Timing Table

ITEM	Symbol	Min	Typ	Max	Unit	Note
DCLK	Frequency	f _{CLK}	37.0	38.5	40.0	MHz
Hsync	Period	t _{HP}	990	1024	1100	t _{CLK}
	Width	t _{WH}	12	64	120	
Vsync	Period	t _{VP}	606	625	730	t _{HP}
	Width	t _{WV}	1	6	24	
Data Enable	Horizontal back porch	t _{HBP}	32	88	120	t _{CLK}
	Horizontal front porch	t _{HFP}	32	72	80	
	Horizontal Active	t _{WHA}	800	800	800	
	Vertical back porch	t _{VBP}	2	15	22	t _{HP}
	Vertical front porch	t _{VFP}	3	4	5	
	Vertical Active	t _{WVA}	600	600	600	

Notes

1. DE Only mode operation.
2. No variation of the total number of Hsync and DE in a frame is required for normal operation.
3. No variation of the total number of clock in a Hsync period for t_{VBP} is required for normal operation.

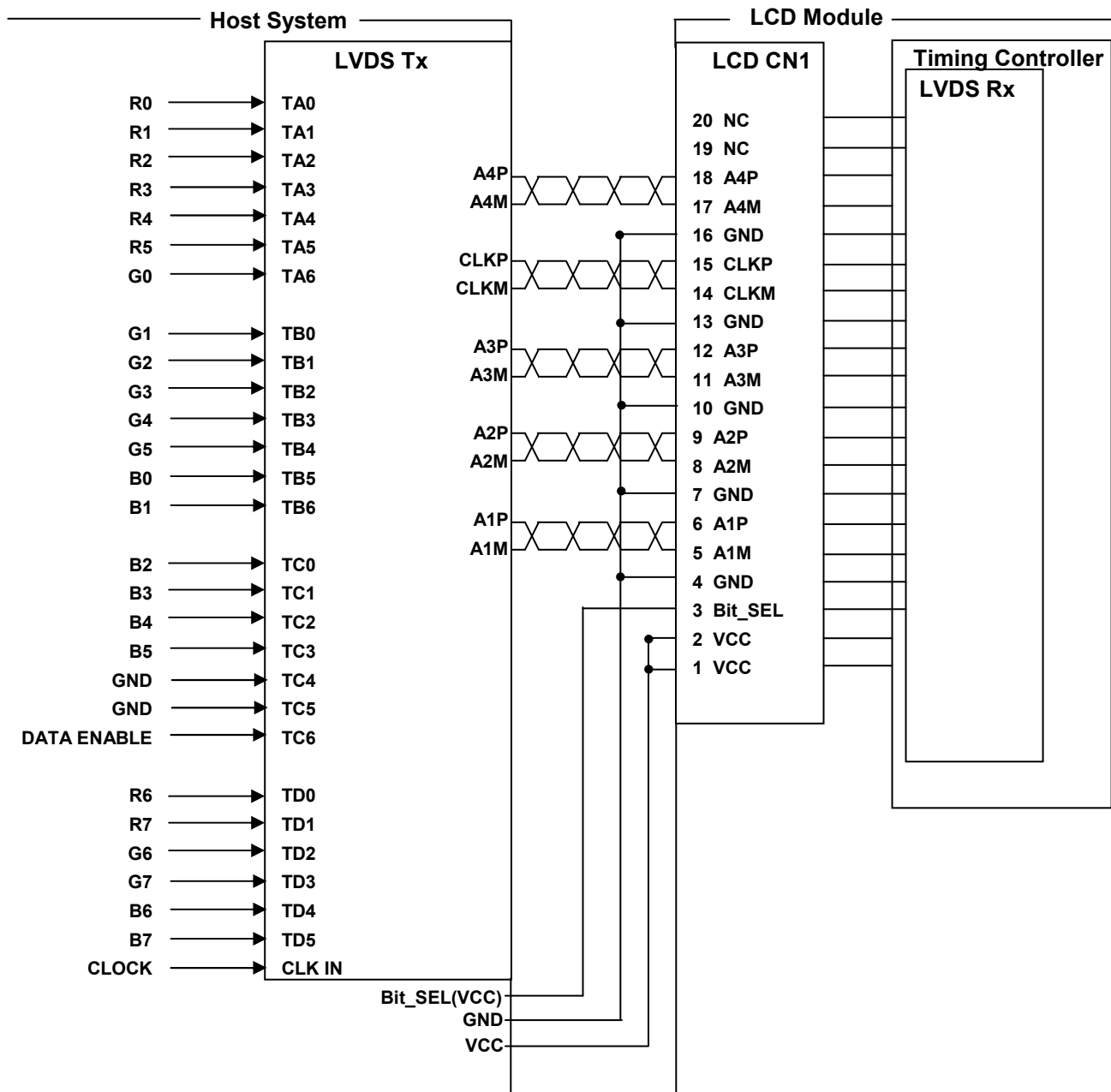


3-5. Color Depth and System Design

This is system design guide for 6bit and 8bit operation. The LVDS Tx design and connection with LCD should be satisfied with the 3-5-1 and 3-5-2 section.

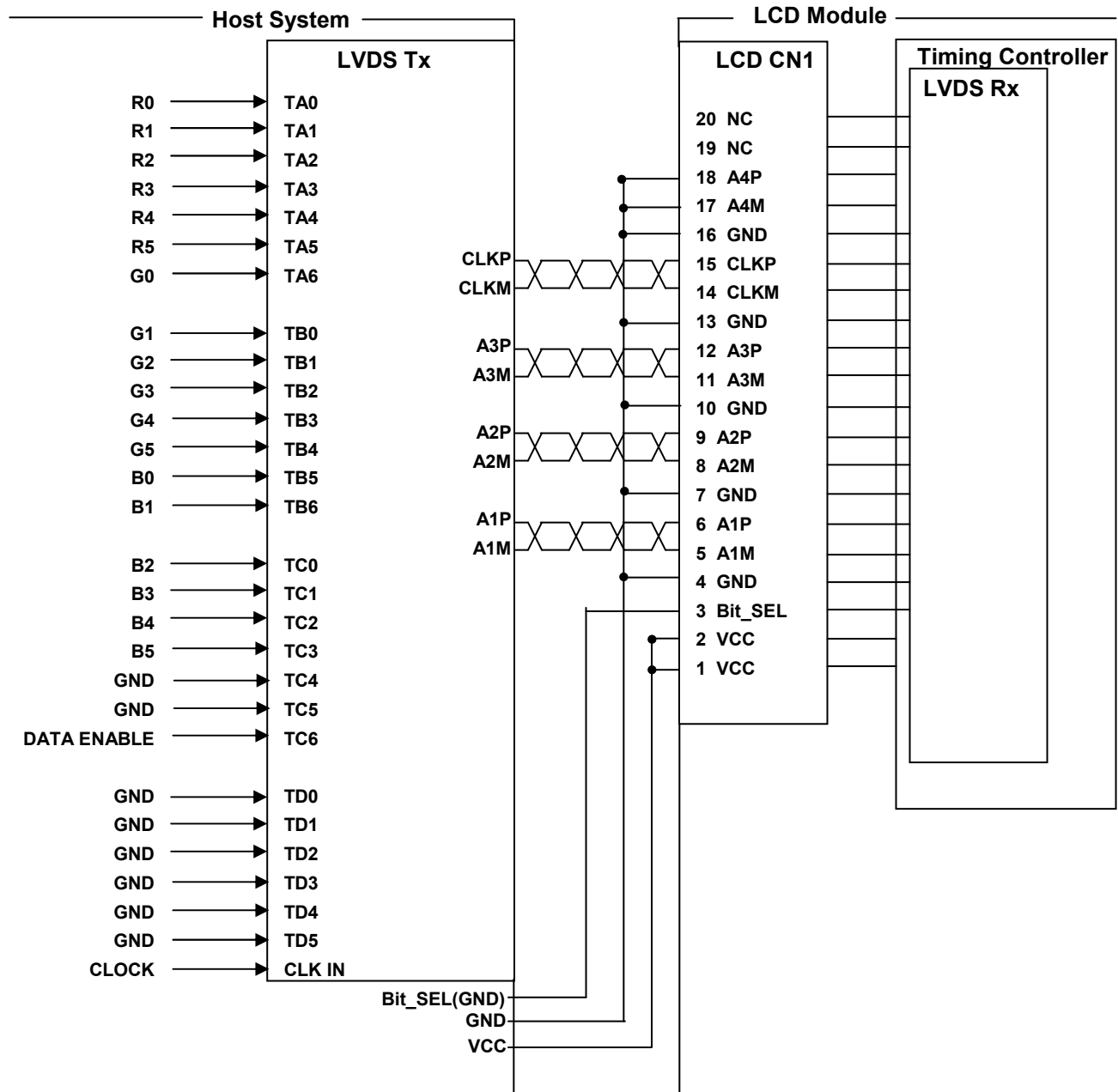
3-5-1. 8bit operation

Fig 1. Required signal assignment for LVDS Tx(THC63LVDM83R) @ 8bit



3-5-2 6bit operation

Fig 2. Required signal assignment for LVDS Tx(THC63LVDM83R) @ 6bit



Product Specification

Table 6. Input pin map of LVDS Tx for 8bit and 6bit

TTL Data		LVDS Tx input Pin (Pin #)	TTL Data		LVDS Tx input Pin (Pin #)	Note
8bit			6Bit			
LSB	R0	TA0 (51)	-	-	-	
	R1	TA1 (52)	-	-	-	
	R2	TA2 (54)	LSB	R0	TA0 (51)	
	R3	TA3 (55)		R1	TA1 (52)	
	R4	TA4 (56)		R2	TA2 (54)	
	R5	TA5 (3)		R3	TA3 (55)	
	R6	TD0 (50)		R4	TA4 (56)	
MSB	R7	TD1 (2)	MSB	R5	TA5 (3)	
LSB	G0	TA6 (4)	-	-	-	
	G1	TB0 (6)	-	-	-	
	G2	TB1 (7)	LSB	G0	TA6 (4)	
	G3	TB2 (11)		G1	TB0 (6)	
	G4	TB3 (12)		G2	TB1 (7)	
	G5	TB4 (14)		G3	TB2 (11)	
	G6	TD2 (8)		G4	TB3 (12)	
MSB	G7	TD3 (10)	MSB	G5	TB4 (14)	
LSB	B0	TB5 (15)	-	-	-	
	B1	TB6 (19)	-	-	-	
	B2	TC0 (20)	LSB	B0	TB5 (15)	
	B3	TC1 (22)		B1	TB6 (19)	
	B4	TC2 (23)		B2	TC0 (20)	
	B5	TC3 (24)		B3	TC1 (22)	
	B6	TD4 (16)		B4	TC2 (23)	
MSB	B7	TD5 (18)	MSB	B5	TC3 (24)	
Data Enable		TC6 (30)	Data Enable		TC6 (30)	
CLOCK		CLKIN (31)	CLOCK		CLKIN (31)	

Note 1. LVDS Tx - THC63LVDM83R(Thine) or equivalent.

Note 2. LSB of 8bit and 6bit is not same signal. [ex. R0(8bit) ≠ R0(6bit)]

3-5-3. Color Input Data Reference(16,777,216 color)

The brightness of each primary color (red, green and blue) is based on the 8-bit gray scale data input for the color ; the higher the binary input, the brighter the color. The table below provides a reference for color versus data input.

Table 8-1. COLOR DATA REFERENCE

Color		Input Color Data																							
		RED								GREEN								BLUE							
		MSB				LSB				MSB				LSB				MSB				LSB			
		R7	R6	R5	R4	R3	R2	R1	R0	G7	G6	G5	G4	G3	G2	G1	G0	B7	B6	B5	B4	B3	B2	B1	B0
Basic Color	Black	0	0	0	0	0	0	0	0	0	0	0	0	0	0	0	0	0	0	0	0	0	0	0	0
	Red	1	1	1	1	1	1	1	1	0	0	0	0	0	0	0	0	0	0	0	0	0	0	0	0
	Green	0	0	0	0	0	0	0	0	1	1	1	1	1	1	1	1	0	0	0	0	0	0	0	0
	Blue	0	0	0	0	0	0	0	0	0	0	0	0	0	0	0	0	1	1	1	1	1	1	1	1
	Cyan	0	0	0	0	0	0	0	0	1	1	1	1	1	1	1	1	1	1	1	1	1	1	1	1
	Magenta	1	1	1	1	1	1	1	1	0	0	0	0	0	0	0	0	1	1	1	1	1	1	1	1
	Yellow	1	1	1	1	1	1	1	1	1	1	1	1	1	1	1	1	0	0	0	0	0	0	0	0
	White	1	1	1	1	1	1	1	1	1	1	1	1	1	1	1	1	1	1	1	1	1	1	1	1
RED	RED (000)	0	0	0	0	0	0	0	0	0	0	0	0	0	0	0	0	0	0	0	0	0	0	0	0
	RED (001)	0	0	0	0	0	0	0	1	0	0	0	0	0	0	0	0	0	0	0	0	0	0	0	0
							
	RED (255)	1	1	1	1	1	1	1	0	0	0	0	0	0	0	0	0	0	0	0	0	0	0	0	0
	RED (255)	1	1	1	1	1	1	1	1	0	0	0	0	0	0	0	0	0	0	0	0	0	0	0	0
GREEN	GREEN (000)	0	0	0	0	0	0	0	0	0	0	0	0	0	0	0	0	0	0	0	0	0	0	0	0
	GREEN (001)	0	0	0	0	0	0	0	0	0	0	0	0	0	0	0	1	0	0	0	0	0	0	0	0
							
	GREEN (255)	0	0	0	0	0	0	0	0	1	1	1	1	1	1	1	0	0	0	0	0	0	0	0	0
	GREEN (255)	0	0	0	0	0	0	0	0	1	1	1	1	1	1	1	1	0	0	0	0	0	0	0	0
BLUE	BLUE (000)	0	0	0	0	0	0	0	0	0	0	0	0	0	0	0	0	0	0	0	0	0	0	0	0
	BLUE (001)	0	0	0	0	0	0	0	0	0	0	0	0	0	0	0	0	0	0	0	0	0	0	0	1
							
	BLUE (254)	0	0	0	0	0	0	0	0	0	0	0	0	0	0	0	0	1	1	1	1	1	1	1	0
	BLUE (255)	0	0	0	0	0	0	0	0	0	0	0	0	0	0	0	0	1	1	1	1	1	1	1	1

3-5-4. Color Input Data Reference(262,144 color)

The brightness of each primary color (red, green and blue) is based on the 6-bit gray scale data input for the color ; the higher the binary input, the brighter the color. The table below provides a reference for color versus data input.

Table 8-2. COLOR DATA REFERENCE

Color		Input Color Data																					
		RED						GREEN						BLUE									
		MSB						LSB		MSB						LSB		MSB					
		R5	R4	R3	R2	R1	R0	G5	G4	G3	G2	G1	G0	B5	B4	B3	B2	B1	B0				
Basic Color	Black	0	0	0	0	0	0	0	0	0	0	0	0	0	0	0	0	0	0				
	Red	1	1	1	1	1	1	0	0	0	0	0	0	0	0	0	0	0	0				
	Green	0	0	0	0	0	0	1	1	1	1	1	1	0	0	0	0	0	0				
	Blue	0	0	0	0	0	0	0	0	0	0	0	0	1	1	1	1	1	1				
	Cyan	0	0	0	0	0	0	1	1	1	1	1	1	1	1	1	1	1	1				
	Magenta	1	1	1	1	1	1	0	0	0	0	0	0	1	1	1	1	1	1				
	Yellow	1	1	1	1	1	1	1	1	1	1	1	1	0	0	0	0	0	0				
	White	1	1	1	1	1	1	1	1	1	1	1	1	1	1	1	1	1	1				
RED	RED (00)	0	0	0	0	0	0	0	0	0	0	0	0	0	0	0	0	0	0				
	RED (01)	0	0	0	0	0	1	0	0	0	0	0	0	0	0	0	0	0	0				
									
	RED (62)	1	1	1	1	1	0	0	0	0	0	0	0	0	0	0	0	0	0				
	RED (63)	1	1	1	1	1	1	0	0	0	0	0	0	0	0	0	0	0	0				
GREEN	GREEN (00)	0	0	0	0	0	0	0	0	0	0	0	0	0	0	0	0	0	0				
	GREEN (01)	0	0	0	0	0	0	0	0	0	0	0	1	0	0	0	0	0	0				
									
	GREEN (62)	0	0	0	0	0	0	1	1	1	1	1	0	0	0	0	0	0	0				
	GREEN (63)	0	0	0	0	0	0	1	1	1	1	1	1	0	0	0	0	0	0				
BLUE	BLUE (00)	0	0	0	0	0	0	0	0	0	0	0	0	0	0	0	0	0	0				
	BLUE (01)	0	0	0	0	0	0	0	0	0	0	0	0	0	0	0	0	0	1				
									
	BLUE (62)	0	0	0	0	0	0	0	0	0	0	0	0	1	1	1	1	1	0				
	BLUE (63)	0	0	0	0	0	0	0	0	0	0	0	0	1	1	1	1	1	1				

3-6. Power Sequence

3-6-1. LCD driving circuit

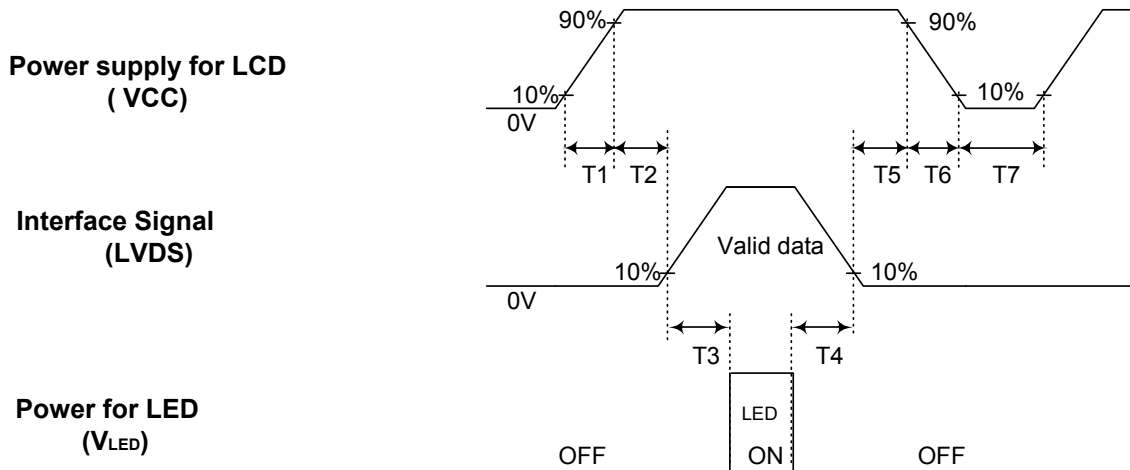
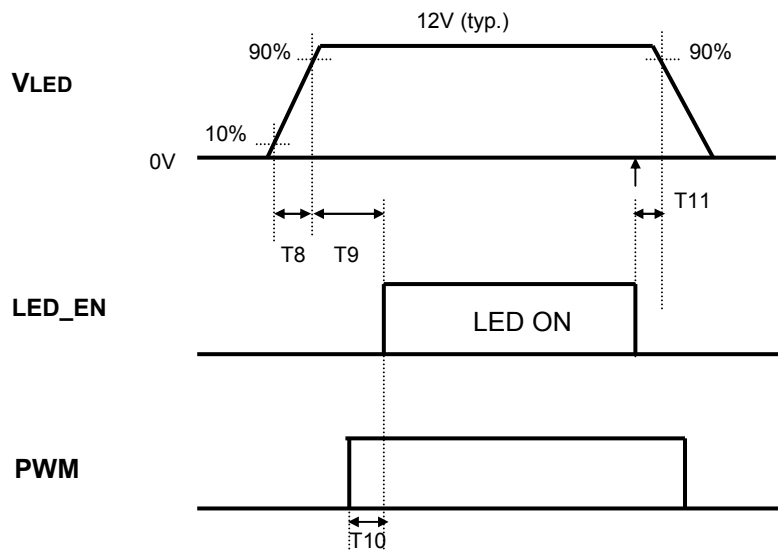


Table 9. POWER SEQUENCE TABLE

Parameter	Value			Units
	Min.	Typ.	Max.	
T ₁	-	-	10	ms
T ₂	10	-	50	ms
T ₃	200	-	-	ms
T ₄	200	-	-	ms
T ₅	0	-	50	ms
T ₆	-	-	10	ms
T ₇	2	-	-	s

Note)

1. Please avoid floating state of interface signal at invalid period.
2. When the interface signal is invalid, be sure to pull down the power supply for LCD VCC to 0V.
3. Lamp power must be turn on after power supply for LCD and interface signal are valid.

3-6-2. LED Backlight driving circuit


Parameter	Value			Units
	Min.	Typ.	Max.	
T ₈	20	-	-	ms
T ₉	500	-	-	ms
T ₁₀	0	-	-	ms
T ₁₁	10	-	-	ms

Notes : 1. T₈ describes rising time of 0V to 12V and this parameter does not applied at restarting time.
 Even though T₈ is over the specified value, there is no problem if I²T spec of fuse is satisfied.

4. Optical Specification

Optical characteristics are determined after the unit has been 'ON' and stable for approximately 30 minutes in a dark environment at 25°C. The values specified are at an approximate distance 50cm from the LCD surface at a viewing angle of Φ and Θ equal to 0°.

FIG. 3 presents additional information concerning the measurement equipment and method.

FIG. 3 Optical Characteristic Measurement Equipment and Method

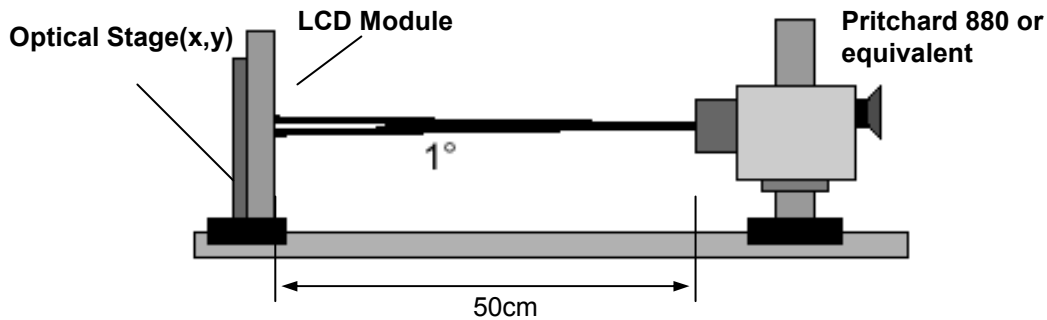


Table 10. OPTICAL CHARACTERISTICS

$T_a=25^\circ\text{C}$, $V_{CC}=3.3\text{V}$, $f_v=60\text{Hz}$, $D_{clk}=38.5\text{MHz}$, $\text{LED PWM}=100\%$

Parameter	Symbol	Values			Units	Notes
		Min	Typ	Max		
Contrast Ratio	CR	500	600	-		1
Surface Luminance, white		360	450		cd/m ²	2
Luminance Variation	δ_{WHITE}	-	1.25	1.45		3
Response Time						4
Rise Time	T_{rR}	-	10	20	ms	
Decay Time	T_{rD}	-	20	30	ms	
Color Coordinates						
WHITE	Wx	0.285	0.315	0.345		
	Wy	0.308	0.338	0.368		
RED	Rx	0.555	0.585	0.615		
	Ry	0.335	0.365	0.395		
GREEN	Gx	0.325	0.355	0.385		
	Gy	0.524	0.554	0.584		
BLUE	Bx	0.125	0.155	0.185		
	By	0.120	0.150	0.180		
Viewing Angle						5
x axis, right ($\Phi=0^\circ$)	Θ_r	65	70	-	degree	
x axis, left ($\Phi=180^\circ$)	Θ_l	65	70	-	degree	
y axis, up ($\Phi=90^\circ$)	Θ_u	50	55	-	degree	
y axis, down ($\Phi=270^\circ$)	Θ_d	60	65	-	degree	

Product Specification

Note)

1. Contrast Ratio(CR) is defined mathematically as

$$\text{Contrast Ratio} = \frac{\text{Surface Luminance with all white pixels}}{\text{Surface Luminance with all black pixels}}$$

2. Surface luminance is the center point across the LCD surface 50cm from the surface with all pixels displaying white. For more information see FIG 3.

 3. The variation in surface luminance, The Panel total variation (δ_{WHITE}) is determined by measuring L_N at each test position 1 through 5, and then dividing the maximum L_N of 5 points luminance by minimum L_N of 5 points luminance. For more information see FIG 4.

$$\delta_{\text{WHITE}} = \text{Maximum}(L_1, L_2, \dots, L_5) / \text{Minimum}(L_1, L_2, \dots, L_5)$$

 4. Response time is the time required for the display to transition from white to black (rise time, T_{R}) and from black to white(Decay Time, T_{D}). For additional information see FIG 5.

5. Viewing angle is the angle at which the contrast ratio is greater than 10. The angles are determined for the horizontal or x axis and the vertical or y axis with respect to the z axis which is normal to the LCD surface. For more information see FIG 6.

6. Gray scale specification

 * $f_V=60\text{Hz}$

Gray Level	Luminance [%] (Typ)
L0	0.2
L31	0.8
L63	4.0
L95	10.5
L127	19.5
L159	33.0
L191	52.0
L223	75.0
L255	100

FIG. 4 Luminance

<measuring point for surface luminance & measuring point for luminance variation>

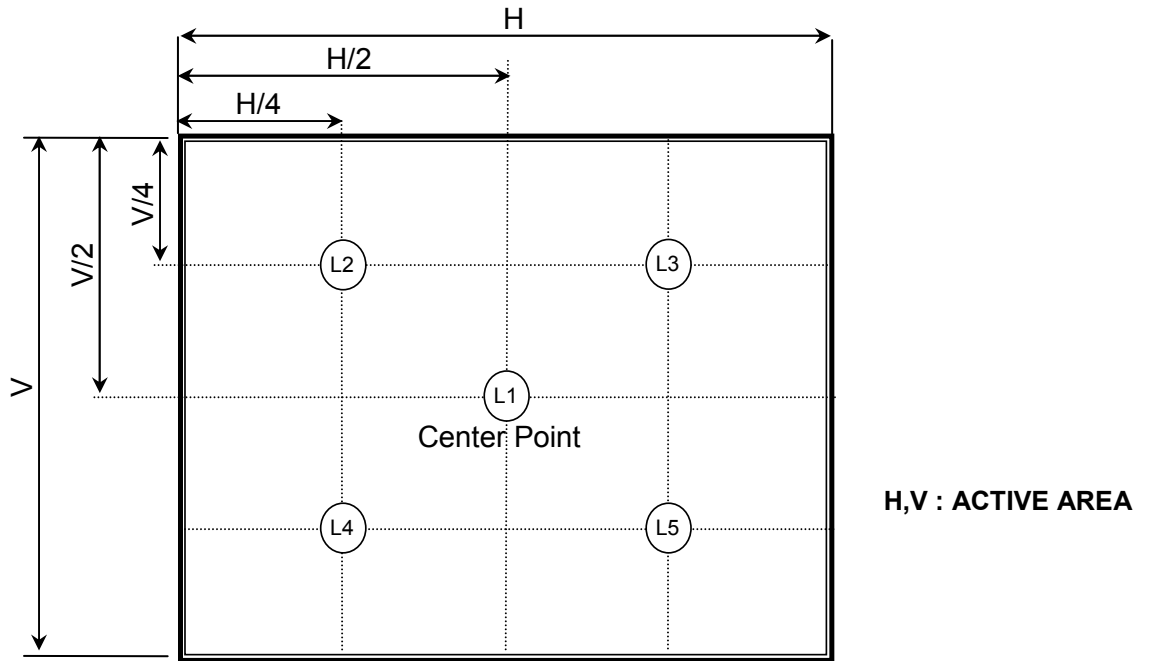


FIG. 5 Response Time

The response time is defined as the following figure and shall be measured by switching the input signal for "black" and "white".

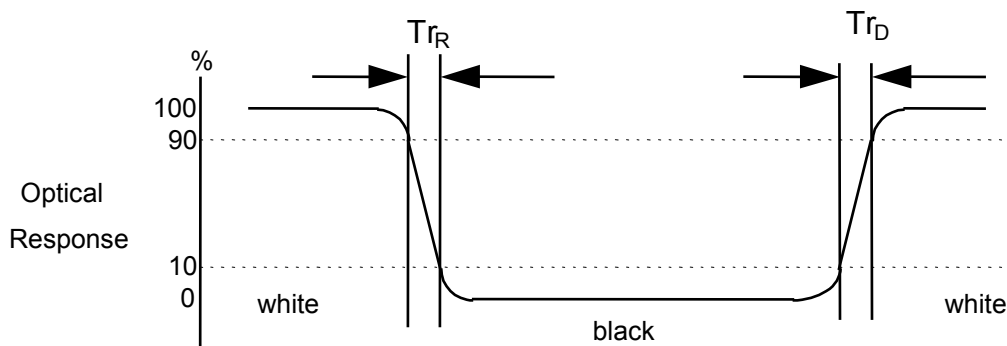
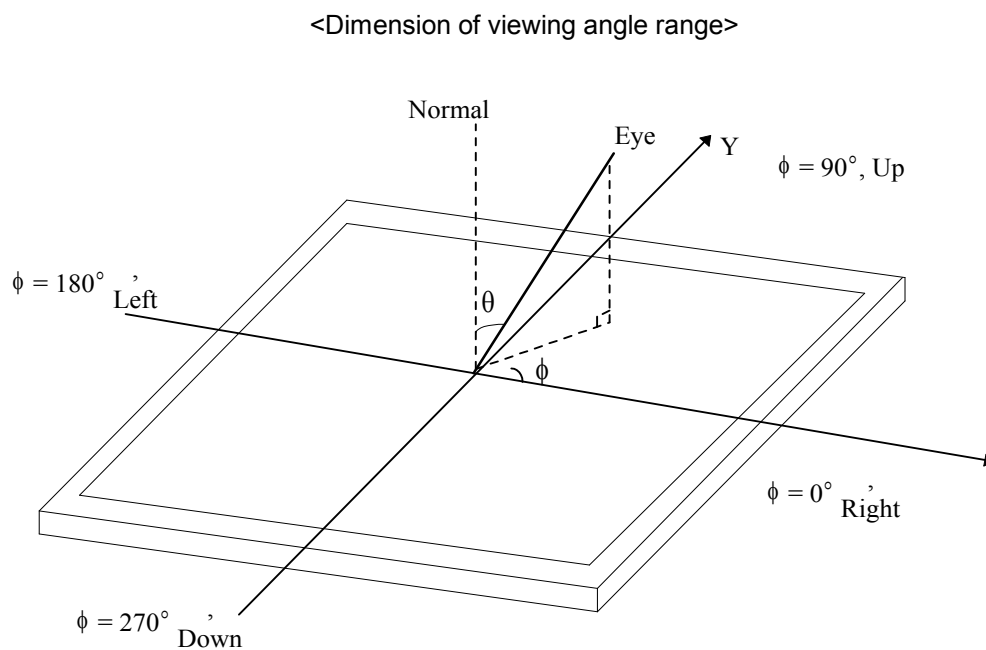


FIG. 6 Viewing angle



5. Mechanical Characteristics

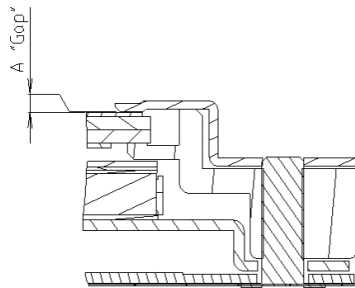
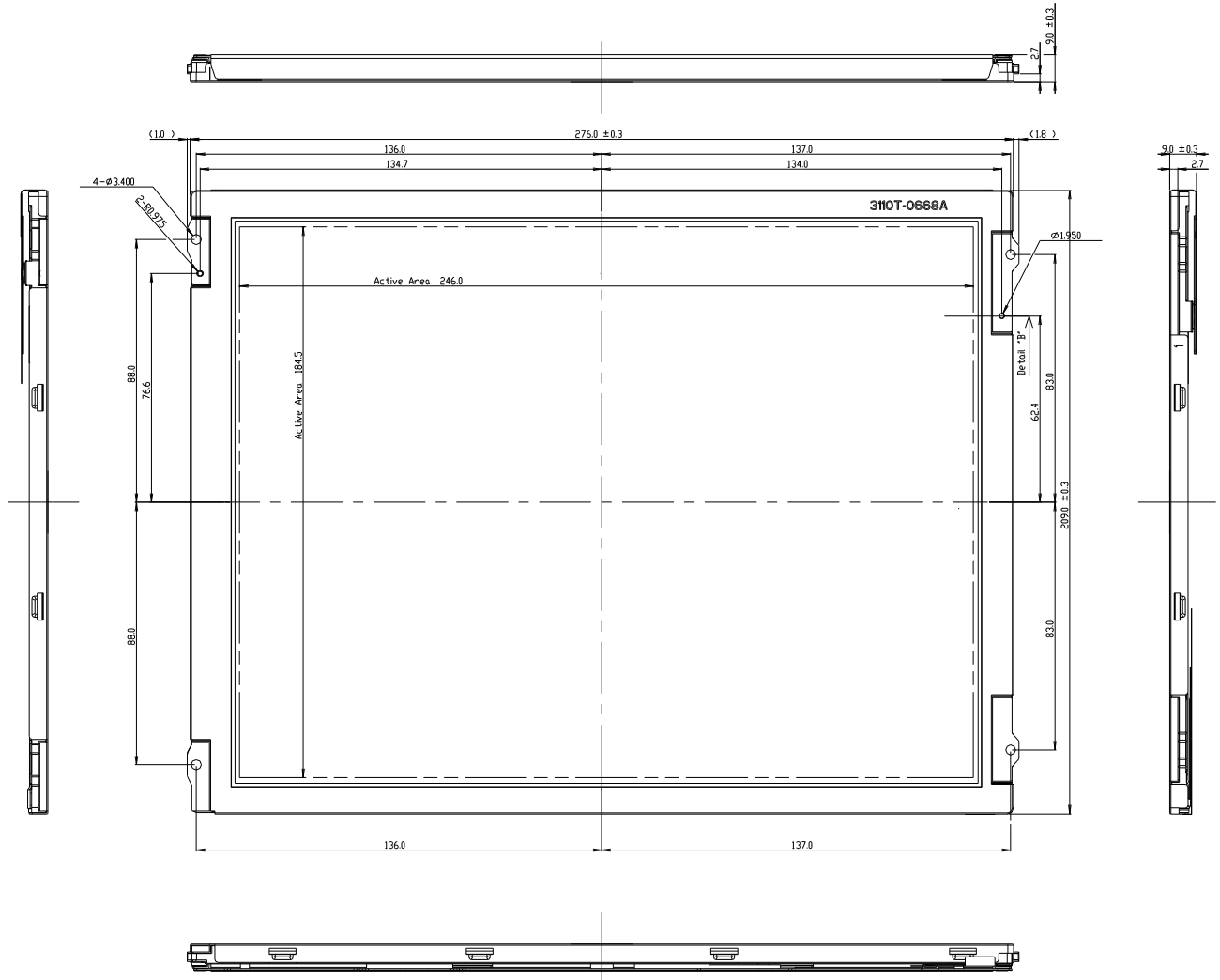
The contents provide general mechanical characteristics for the model LB121S03-TL03. In addition the figures in the next page are detailed mechanical drawing of the LCD.

PARAMETER	SPECIFICATION	
Outline Dimension	Horizontal	276.0 ± 0.5mm
	Vertical	209.0 ± 0.5mm
	Depth	9 (Typ)
Active Display Area	Horizontal	246.0 mm
	Vertical	184.5 mm
Weight	509g (Typ) 514g(Max)	
Surface Treatment	Anti-glare treatment	

Product Specification

<FRONT VIEW>

Note) Unit:[mm], General tolerance: ± 0.5mm

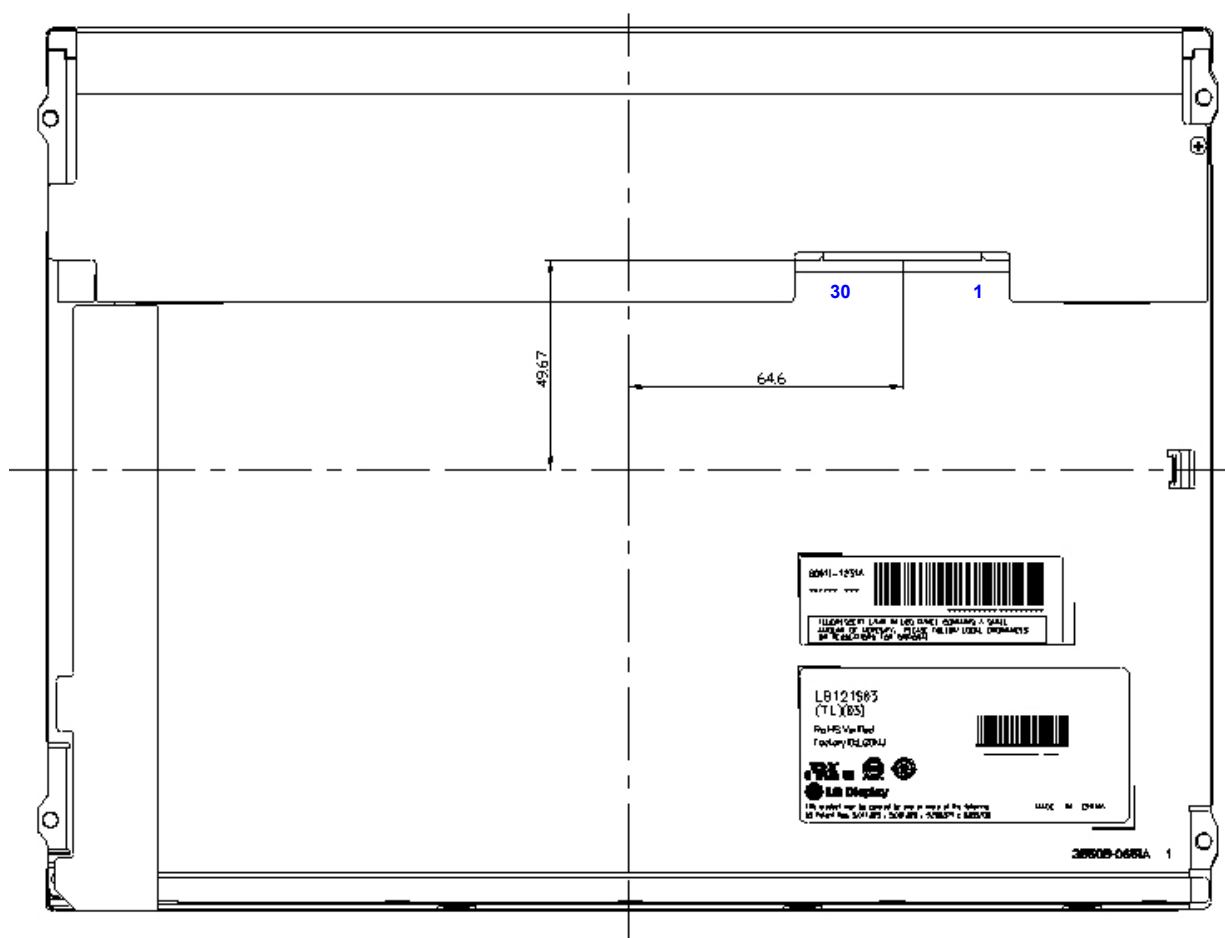


Detail B
Scale 4/1
Screw Torque Max 2.5kgf.cm
A : Case top ~ Upper pol Gap 0.7 Max

Product Specification

<REAR VIEW>

Note) Unit:[mm], General tolerance: ± 0.5mm



Product Specification

6. Reliability

Environment test condition

No.	Test Item	Conditions
1	High temperature storage test	Ta= 80°C, 240h
2	Low temperature storage test	Ta= -30°C, 240h
3	High temperature operation test	Ta= 70°C, 240h
4	Low temperature operation test	Ta= -20°C, 240h
5	Vibration test (non-operating)	Random, 10 ~ 300Hz, 1Grms,3 axis, 30min/axis
6	Shock test (non-operating)	Half sine wave, 120G, 2ms one shock of each six faces(I.e. run 180G 6ms for all six faces)
7	Altitude operating storage / shipment	0 ~ 10,000 feet (3,048m) 24Hr 0 ~ 40,000 feet (12,192m) 24Hr

{ Result Evaluation Criteria }

1. Evaluation should be tested after storage at room temperature for 24 hours.
2. There should be no change which might affect the practical display function when the display test quality test is conducted under normal operating condition.

7. International Standards

7-1. Safety

- a) UL 60950-1, Second Edition, Underwriters Laboratories Inc.
Information Technology Equipment - Safety - Part 1 : General Requirements.
- b) CAN/CSA C22.2 No.60950-1-07, Second Edition, Canadian Standards Association.
Information Technology Equipment - Safety - Part 1 : General Requirements.
- c) EN 60950-1:2006 + A11:2009, European Committee for Electrotechnical Standardization (CENELEC).
Information Technology Equipment - Safety - Part 1 : General Requirements.

7-2. Environment

- a) RoHS, Directive 2002/95/EC of the European Parliament and of the council of 27 January 2003

7-3. EMC

- a) ANSI C63.4 "Methods of Measurement of Radio-Noise Emissions from Low-Voltage Electrical and Electrical Equipment in the Range of 9kHz to 40GHz. "American National Standards Institute(ANSI), 1992
- b) C.I.S.P.R "Limits and Methods of Measurement of Radio Interface Characteristics of Information Technology Equipment." International Special Committee on Radio Interference.
- c) EN 55022 "Limits and Methods of Measurement of Radio Interface Characteristics of Information Technology Equipment." European Committee for Electro technical Standardization.(CENELEC), 1998

8. Packing

8-1. Designation of Lot Mark

a) Lot Mark

A	B	C	D	E	F	G	H	I	J	K	L	M
---	---	---	---	---	---	---	---	---	---	---	---	---

A,B,C : SIZE(INCH)

E : MONTH

N~Q: INTERNAL CODE(NO DIGIT)

D : YEAR

F ~ M : SERIAL NO.

Note

1. YEAR

Year	2001 2011	2002 2012	2003 2013	2004 2014	2005 2015	2006 2016	2007 2017	2008 2018	2009 2019	2010 2020
Mark	1	2	3	4	5	6	7	8	9	0

2. MONTH

Month	Jan	Feb	Mar	Apr	May	Jun	Jul	Aug	Sep	Oct	Nov	Dec
Mark	1	2	3	4	5	6	7	8	9	A	B	C

b) Location of Lot Mark

Serial No. is printed on the label. The label is attached to the backside of the LCD module.
 This is subject to change without prior notice.

8-2. Packing Form

a) Package quantity in one box : 16 pcs

b) Box Size : 425mm × 328mm × 350mm

9. PRECAUTIONS

Please pay attention to the followings when you use this TFT LCD module.

9-1. MOUNTING PRECAUTIONS

- (1) You must mount a module using holes arranged in four corners or four sides.
- (2) You should consider the mounting structure so that uneven force (ex. Twisted stress) is not applied to the module. And the case on which a module is mounted should have sufficient strength so that external force is not transmitted directly to the module.
- (3) Please attach the surface transparent protective plate to the surface in order to protect the polarizer. Transparent protective plate should have sufficient strength in order to resist external force.
- (4) You should adopt radiation structure to satisfy the temperature specification.
- (5) Acetic acid type and chlorine type materials for the cover case are not desirable because the former generates corrosive gas of attacking the polarizer at high temperature and the latter causes circuit break by electro-chemical reaction.
- (6) Do not touch, push or rub the exposed polarizers with glass, tweezers or anything harder than HB pencil lead. And please do not rub with dust clothes with chemical treatment. Do not touch the surface of polarizer for bare hand or greasy cloth. (Some cosmetics are detrimental to the polarizer.)
- (7) When the surface becomes dusty, please wipe gently with absorbent cotton or other soft materials like chamois soaks with petroleum benzene. Normal-hexane is recommended for cleaning the adhesives used to attach front / rear polarizers. Do not use acetone, toluene and alcohol because they cause chemical damage to the polarizer.
- (8) Wipe off saliva or water drops as soon as possible. Their long time contact with polarizer causes deformations and color fading.
- (9) Do not open the case because inside circuits do not have sufficient strength.

9-2. OPERATING PRECAUTIONS

- (1) The spike noise causes the mis-operation of circuits. It should be lower than following voltage :
 $V = \pm 200\text{mV}$ (Over and under shoot voltage)
- (2) Response time depends on the temperature. (In lower temperature, it becomes longer.)
- (3) Brightness depends on the temperature. (In lower temperature, it becomes lower.)
And in lower temperature, response time (required time that brightness is stable after turned on) becomes longer.
- (4) Be careful for condensation at sudden temperature change. Condensation makes damage to polarizer or electrical contacted parts. And after fading condensation, smear or spot will occur.
- (5) When fixed patterns are displayed for a long time, remnant image is likely to occur.
- (6) Module has high frequency circuits. Sufficient suppression to the electromagnetic interference shall be done by system manufacturers. Grounding and shielding methods may be important to minimize the interference.

※ If Customer supply incorrect Signal/Power, LGD cannot guarantee the Quality of LCM.

9-3. ELECTROSTATIC DISCHARGE CONTROL

Since a module is composed of electronic circuits, it is not strong to electrostatic discharge. Make certain that treatment persons are connected to ground through wrist band etc. And don't touch interface pin directly.

9-4. PRECAUTIONS FOR STRONG LIGHT EXPOSURE

Strong light exposure causes degradation of polarizer and color filter.

9-5. STORAGE

When storing modules as spares for a long time, the following precautions are necessary.

- (1) Store them in a dark place. Do not expose the module to sunlight or fluorescent light. Keep the temperature between 5°C and 35°C at normal humidity.
- (2) The polarizer surface should not come in contact with any other object.
It is recommended that they be stored in the container in which they were shipped.

9-6. HANDLING PRECAUTIONS FOR PROTECTION FILM

- (1) When the protection film is peeled off, static electricity is generated between the film and polarizer.
This should be peeled off slowly and carefully by people who are electrically grounded and with well ion-blown equipment or in such a condition, etc.
- (2) The protection film is attached to the polarizer with a small amount of glue. If some stress is applied to rub the protection film against the polarizer during the time you peel off the film, the glue is apt to remain on the polarizer.
Please carefully peel off the protection film without rubbing it against the polarizer.
- (3) When the module with protection film attached is stored for a long time, sometimes there remains a very small amount of glue still on the polarizer after the protection film is peeled off.
- (4) You can remove the glue easily. When the glue remains on the polarizer surface or its vestige is recognized, please wipe them off with absorbent cotton waste or other soft material like chamois soaked with normal-hexane.