

Product Specification

SPECIFICATION FOR APPROVAL

(◆) Preliminary Specification
() Final Specification

| | |
|-------|--------------------------|
| Title | 30" WQXGA TFT LCD |
|-------|--------------------------|

| | |
|-------|--|
| BUYER | |
| MODEL | |

| | |
|----------|-----------------------------|
| SUPPLIER | LG Display CO., Ltd. |
| *MODEL | LM300WQ6 |
| SUFFIX | SLA1 |

*When you obtain standard approval,
please use the above model name without suffix

| SIGNATURE | DATE |
|-----------|-------|
| / | _____ |
| / | _____ |
| / | _____ |

Please return 1 copy for your confirmation with your signature and comments.

| APPROVED BY | SIGNATURE | DATE |
|---------------------------|-----------|-------|
| B. C. KIM / G.Manager | _____ | _____ |
| REVIEWED BY | | |
| S. H. HAN / Manager [C] | _____ | _____ |
| Y. H. HWANG / Manager [M] | _____ | _____ |
| M. S. KANG / Manager [P] | _____ | _____ |
| E. S. KIM / Manager [O] | _____ | _____ |
| PREPARED BY | | |
| D. K. HEO / Engineer | _____ | _____ |

**IT/Mobile Development Division 1.
LG Display Co., Ltd**

Product Specification

CONTENTS

| NO. | ITEM | Page |
|-----|------------------------------|------|
| - | COVER | 1 |
| - | CONTENTS | 2 |
| - | RECORD OF REVISIONS | 3 |
| 1 | GENERAL DESCRIPTION | 4 |
| 2 | ABSOLUTE MAXIMUM RATINGS | 5 |
| 3 | ELECTRICAL SPECIFICATIONS | 6 |
| 3-1 | ELECTRICAL CHARACTERISTICS | 6 |
| 3-2 | INTERFACE CONNECTIONS | 9 |
| 3-3 | LVDS CHARACTERISTICS | 12 |
| 3-4 | SIGNAL TIMING SPECIFICATIONS | 14 |
| 3-5 | SIGNAL TIMING WAVE FORMS | 15 |
| 3-6 | COLOR INPUT DATA REFERANCE | 16 |
| 3-7 | POWER SEQUENCE FOR PANEL | 17 |
| 3-8 | POWER SEQUENCE FOR INVERTER | 18 |
| 4 | OPTICAL SPECIFICATIONS | 19 |
| 5 | MECHANICAL CHARACTERISTICS | 25 |
| 6 | RELIABILITY | 28 |
| 7 | INTERNATIONAL STANDARDS | 29 |
| 7-1 | SAFETY | 29 |
| 7-2 | EMC | 29 |
| 8 | PACKING | 30 |
| 8-1 | DESIGNATION OF LOT MARK | 30 |
| 8-2 | PACKING FORM | 30 |
| 9 | PRECAUTIONS | 31 |

Product Specification

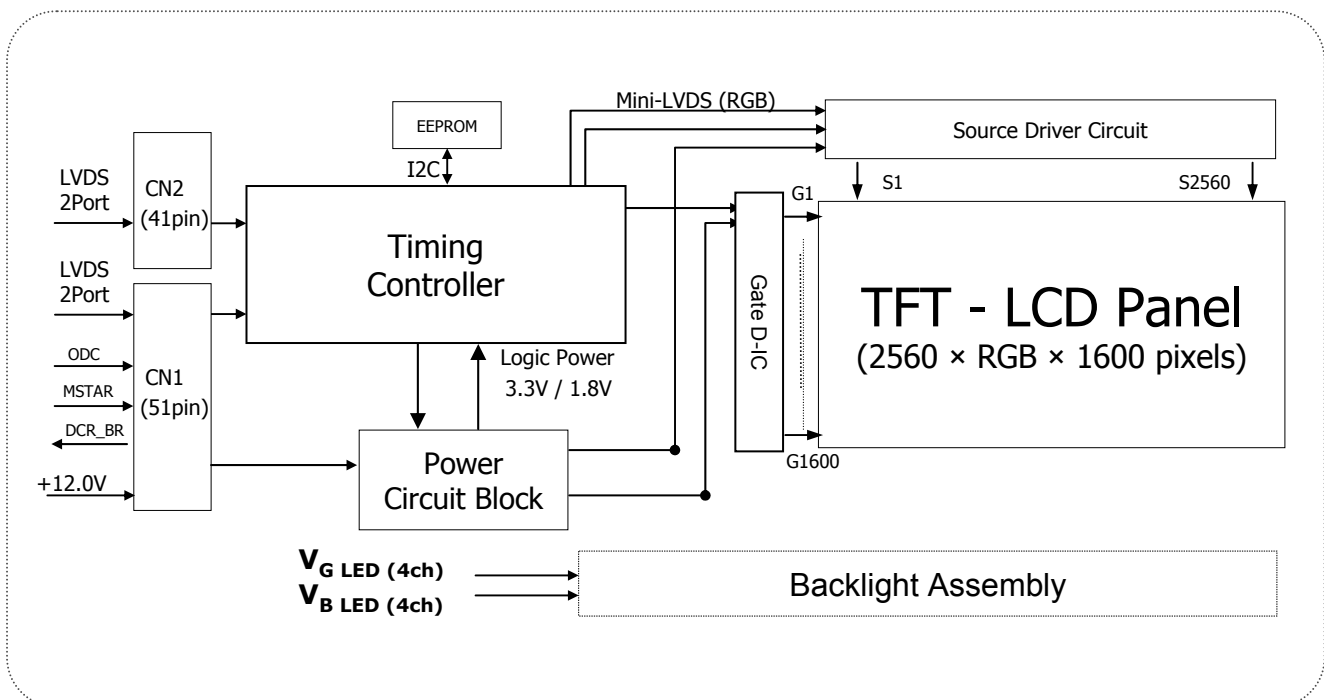
RECORD OF REVISIONS

| Revision No | Date | Page | Description |
|-------------|---------------|-------|---|
| Ver. 0.0 | JUL. 30. 2012 | - | Preliminary specification |
| Ver. 0.1 | Sep. 11. 2012 | 4 | General Feature (1Point AVG →Center 1point) |
| | | 8 | Update LED Bar ELECTRICAL CHARACTERISTICS (TBD Items) |
| | | 19 | Update Color Coordinates (R,G,B) & Response time (Tr, Tf : Avg) |
| | | 21 | Correct Active area. |
| | | 24 | Correct Gray Scale spec (Relative Luminance [%]) |
| | | 26,27 | Updated Mechanic drawing |
| | | 30 | Updated Packing form |
| | | | |
| | | | |
| | | | |
| | | | |
| | | | |
| | | | |
| | | | |
| | | | |
| | | | |
| | | | |
| | | | |
| | | | |
| | | | |
| | | | |
| | | | |
| | | | |
| | | | |
| | | | |
| | | | |
| | | | |
| | | | |
| | | | |

Product Specification

1. General Description

The LM300WQ6 LCD is a Color Active Matrix Liquid Crystal Display with Light Emitting Diode (GB LED). The matrix employs a-Si Thin Film Transistor as the active element. It is a transmissive type display operating in the normally black mode. This TFT-LCD has a 30.0 inch diagonally measured active display area with WQXGA resolution(2560 vertical by 1600 horizontal pixel array). Each pixel is divided into Red, Green and Blue sub-pixels or dots which are arranged in vertical stripes. Gray scale or the luminance of the sub-pixel color is determined with a 10-bit gray scale signal for each dot, thus, presenting a palette of more than 1,073,741,824 colors. The LM300WQ6 has been designed to apply the 10bit 4port LVDS interface.



General Features

| | |
|------------------------|---|
| Active screen size | 30.0 inches (756.228mm) diagonal |
| Outline Dimension | 677.30(H) x 436.80(V) x 18.0(D) mm(Typ.) |
| Pixel Pitch | 0.2505 mm x 0.2505 mm |
| Pixel Format | 2560 horizontal By 1600 vertical Pixels. RGB stripe arrangement |
| Color Depth | 10-bit, 1,073,741,824 color |
| Luminance, White | 350 cd/m ² (Center 1 point) |
| Viewing Angle(CR>10) | Viewing Angle Free(R/L 178(Typ.), U/D 178(Typ.)) |
| Power Consumption | Total (60.44) Watt(Typ.), ((14.04) Watt @V _{LCD} , (46.4W) @350cd) |
| Weight | 4,150 g (typ.) |
| Display Operating Mode | Transmissive mode, Normally Black |
| Surface Treatments | Hard coating (3H), Anti-glare treatment of the front polarizer |

Product Specification

2. Absolute Maximum Ratings

The following are maximum values which, if exceeded, may cause faulty operation or damage to the unit.

Table 1. Absolute Maximum Ratings

| Parameter | Symbol | Values | | Units | Notes |
|----------------------------|----------------------|--------|-----|-------|-------------|
| | | Min | Max | | |
| Power Input Voltage | VLCD | 8 | 14 | Vdc | at 25 ± 2°C |
| Operating Temperature | T _{OP} | 0 | 50 | °C | 1, 2, 3 |
| Storage Temperature | T _{ST} | -20 | 60 | °C | |
| Operating Ambient Humidity | H _{OP} | 10 | 90 | %RH | |
| Storage Humidity | H _{ST} | 10 | 90 | %RH | |
| LCM Surface Temperature | T _{Surface} | 0 | 65 | °C | 1, 4 |

Note : 1. Temperature and relative humidity range are shown in the figure below.

Wet bulb temperature should be 39 °C Max, and no condensation of water.

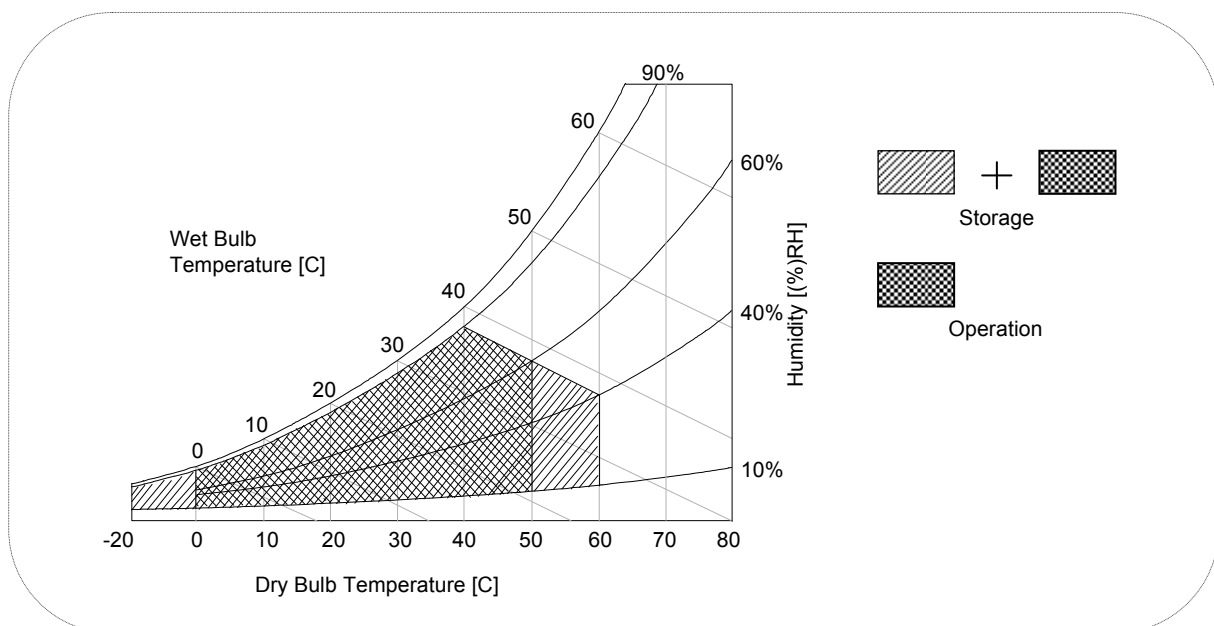
Note : 2. Maximum Storage Humidity is up to 40°C, 70% RH only for 4 corner light leakage Mura.

Note : 3. Storage condition is guaranteed under packing condition.

Note : 4. LCM surface temperature should be Min 0°C and Max 65°C under the VLCD=12.0V.

fV=60Hz, 25°C ambient temperature no humidity control and LED string current is typical value.

FIG. 1 Temperature and relative humidity



Product Specification

3. Electrical Specifications

3-1. Electrical Characteristics

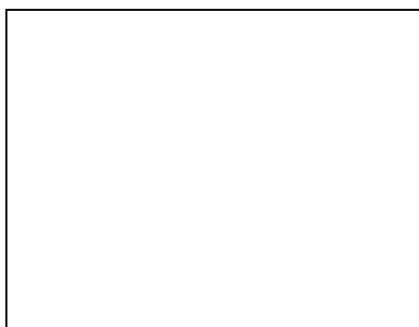
It requires two power inputs. One is employed to power the LCD electronics and to drive the TFT array and liquid crystal. The second input power for the CCFL, is typically generated by an inverter. The inverter is an external unit to the LCDs.

Table 2-1. Electrical Characteristics

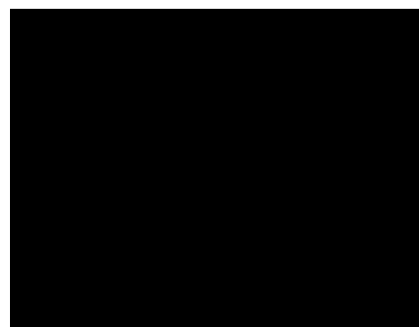
| Parameter | Symbol | Values | | | Unit | Notes |
|-------------------------------|-------------------|--------|---------|---------|-------------------|-------|
| | | Min | Typ | Max | | |
| MODULE : | | | | | | |
| Power Supply Input Voltage | V _{LCD} | 11.4 | 12.0 | 12.6 | Vdc | |
| Permissive Power Input Ripple | V _{RF} | | | TBD | mV _{p-p} | 1 |
| Power Supply Input Current | I _{LCD} | - | (1170) | (1350) | mA | 2 |
| | | - | (1830) | (2105) | mA | 3 |
| Power Consumption | PLCD TYP | - | (14.04) | (16.15) | Watt | 2 |
| | PLCD MAX | - | (21.96) | (25.25) | Watt | 2 |
| Rush current | I _{RUSH} | - | - | 4.0 | A | 4 |

Note :

1. Permissive power ripple should be measured under V_{LCD}=12.0V, 25 ± 2°C, f_V=60Hz condition and At that time, we recommend the bandwidth configuration of oscilloscope is to be under 20Mhz.
2. The specified current and power consumption are under the V_{LCD}=12.0V, 25 ± 2°C, f_V=60Hz condition whereas mosaic pattern(8 x 6) is displayed and f_V is the frame frequency.
3. The current is specified at the maximum current pattern.
4. The duration of rush current is about 2ms and rising time of power Input is 1ms(min.).



White Pattern

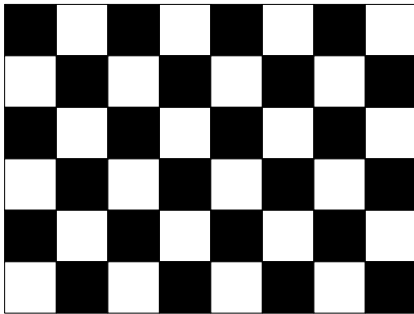


Black Pattern

< **Permissive Power Input Ripple** (V_{LCD}=12.0V, 25 ± 2°C, f_V=60Hz) >

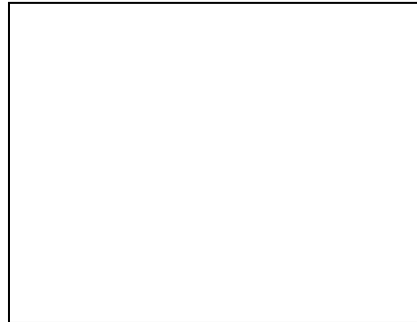
Product Specification

Typical current pattern
(White : 255Gray, Black : 0Gray)



Mosaic Pattern(8 x 6)

Maximum current pattern



White Pattern

< **Power consumption** ($V_{LCD}=12.0V$, $25 \pm 2^{\circ}C$, $f_V=60Hz$) >

Product Specification

Table 3. LED Bar ELECTRICAL CHARACTERISTICS

| Parameter | Symbol | Values | | | Unit | Notes |
|--------------------|----------|--------|--------|--------|------|------------|
| | | Min. | Typ. | Max. | | |
| LED String Current | I_Green | | 105 | 110 | mA | 1, 2, 7 |
| | I_Blue | | 65 | 68 | mA | |
| Blue current Ratio | IB / IG | 60.0 | 61.9 | 63.8 | % | 1,2,7,8 |
| LED String Voltage | Vs_Green | (63.8) | (68.2) | (72.6) | V | 1, 3, 7 |
| | Vs_Blue | (63.8) | (68.2) | (72.6) | V | |
| Power Consumption | PBar | | (46.4) | (49.4) | Watt | 1, 4, 6, 7 |
| LED Life Time | LED_LT | 30,000 | | | Hrs | 5, 7 |

LED driver design guide

- 1) The design of the LED driver must have specifications for the LED in LCD Assembly.
The performance of the LED in LCM, for example life time or brightness, is extremely influenced by the characteristics of the LED driver.
So all the parameters of an LED driver should be carefully designed and output current should be Constant current control. Please control feedback current of each string individually to compensate the current variation among the strings of LEDs.
When you design or order the LED driver, please make sure unwanted lighting caused by the mismatch of the LED and the LED driver (no lighting, flicker, etc) never occurs.
When you confirm it, the LCD module should be operated in the same condition as installed in your instrument.
- 2) LGD recommend that Dimming Control Signal (PWM Signal) is synchronized with Frame Frequency for Wavy Noise Free.

1. Specified values are for a single LED bar.
2. The specified current is defined as the input current for a single LED string with 100% duty cycle
3. The specified voltage is input LED string and Bar voltage at typical Current 100% duty current.
4. The specified power consumption is input LED bar power consumption at typical Current 100% duty current.
5. The life is determined as the time at which luminance of the LED is 50% compared to that of initial value at the typical LED current on condition of continuous operating at 25 ± 2°C.
6. The power consumption shown above does not include loss of external driver.
The used LED bar current is the LED typical current.
The typical power consumption is calculated as

$$P_{Bar} = V_s(\text{Typ.}) \times (I_{green}(\text{Typ.}) + I_{blue}(\text{Typ.})) \times \text{No. of strings.}$$
The maximum power consumption is calculated as

$$P_{Bar} = V_s(\text{Max.}) \times (I_{green}(\text{Typ.}) + I_{blue}(\text{Typ.})) \times \text{No. of strings}$$
7. LED operating DC Forward Current must not exceed LED Max Ratings at 25±2 °C
8. Blue current Ratio is calculated with $I_B(\text{typ.})/I_G(\text{typ.})$ after 30min. aging time at 25 ± 2 °C.
It means the Blue current portion comparing with Green current at 100% duty typical current.

Product Specification

3-2. Interface Connections

This LCD module employs two kinds of interface connection, 51-pin and 41-pin connectors are used for the module electronics and 14-pin connectors are used for the integral backlight system.

3-2-1. Signal Interface

LCD Connector(CN1): IS050-C51B-C39-A(manufactured by UJU) or FI-RE51S-HF(manufactured by JAE) or compatible. Refer to below and next Page table.

- Mating Connector : FI-RE51HL(JAE) or compatible

Table 3-1. MODULE CONNECTOR(CN1) PIN CONFIGURATION

| No | Symbol | Description | No | Symbol | Description |
|----|--------------|--|----|----------|--------------------------------------|
| 1 | GND | Ground | 27 | NC | No Connection |
| 2 | NC | No Connection | 28 | R2AN | SECOND LVDS Receiver Signal (A-) |
| 3 | NC | No Connection | 29 | R2AP | SECOND LVDS Receiver Signal (A+) |
| 4 | NC | No Connection | 30 | R2BN | SECOND LVDS Receiver Signal (B-) |
| 5 | NC | No Connection | 31 | R2BP | SECOND LVDS Receiver Signal (B+) |
| 6 | ODC Select | 'H' or NC = Enable , 'L' = Disable | 32 | R2CN | SECOND LVDS Receiver Signal (C-) |
| 7 | MSTAR Select | 'H'= MSTAR Concept , 'L'=normal | 33 | R2CP | SECOND LVDS Receiver Signal (C+) |
| 8 | DCR_BR | Brightness voltage output for DCR function | 34 | GND | Ground |
| 9 | NC | No Connection | 35 | R2CLKN | SECOND LVDS Receiver Clock Signal(-) |
| 10 | NC | No Connection | 36 | R2CLKP | SECOND LVDS Receiver Clock Signal(+) |
| 11 | GND | Ground | 37 | GND | Ground |
| 12 | R1AN | FIRST LVDS Receiver Signal (A-) | 38 | R2DN | SECOND LVDS Receiver Signal (D-) |
| 13 | R1AP | FIRST LVDS Receiver Signal (A+) | 39 | R2DP | SECOND LVDS Receiver Signal (D+) |
| 14 | R1BN | FIRST LVDS Receiver Signal (B-) | 40 | R2EN | SECOND LVDS Receiver Signal (E-) |
| 15 | R1BP | FIRST LVDS Receiver Signal (B+) | 41 | R2EP | SECOND LVDS Receiver Signal (E+) |
| 16 | R1CN | FIRST LVDS Receiver Signal (C-) | 42 | Reserved | No connection or GND |
| 17 | R1CP | FIRST LVDS Receiver Signal (C+) | 43 | Reserved | No connection or GND |
| 18 | GND | Ground | 44 | GND | Ground |
| 19 | R1CLKN | FIRST LVDS Receiver Clock Signal(-) | 45 | GND | Ground |
| 20 | R1CLKP | FIRST LVDS Receiver Clock Signal(+) | 46 | GND | Ground |
| 21 | GND | Ground | 47 | NC | No connection |
| 22 | R1DN | FIRST LVDS Receiver Signal (D-) | 48 | VLCD | Power Supply +12.0V |
| 23 | R1DP | FIRST LVDS Receiver Signal (D+) | 49 | VLCD | Power Supply +12.0V |
| 24 | R1EN | FIRST LVDS Receiver Signal (E-) | 50 | VLCD | Power Supply +12.0V |
| 25 | R1EP | FIRST LVDS Receiver Signal (E+) | 51 | VLCD | Power Supply +12.0V |
| 26 | Reserved | No connection or GND | - | - | - |

- Notes :
1. All GND(ground) pins should be connected together to the LCD module's metal frame.
 2. All VLCD (power input) pins should be connected together.
 3. All Input levels of LVDS signals are based on the EIA 644 Standard.
 4. Specific pins(pin No. #2~#6) are used for internal data process of the LCD module.
If not used, these pins are no connection.
 5. Specific pin No. #44 is used for "No signal detection" of system signal interface.
It should be GND for NSB(No Signal Black) during the system interface signal is not.
If this pin is "H", LCD Module displays AGP(Auto Generation Pattern).

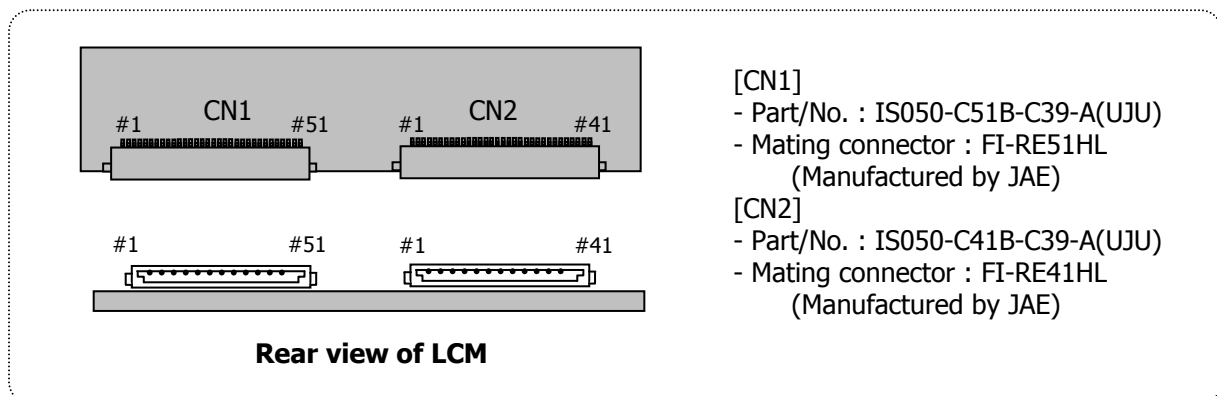
Product Specification

- LCD Connector(CN2): IS050-C41B-C39-A(manufactured by UJU) or FI-RE41S-HF(manufactured by JAE) or compatible. Refer to below table.
- Mating Connector : FI-RE41HL or compatible.

Table 3-2. MODULE CONNECTOR(CN2) PIN CONFIGURATION

| No | Symbol | Description | No | Symbol | Description |
|----|--------|-------------------------------------|----|--------|-------------------------------------|
| 1 | NC | No connection(Reserved) | 22 | R3EN | THIRD LVDS Receiver Signal (E-) |
| 2 | NC | No connection | 23 | R3EP | THIRD LVDS Receiver Signal (E+) |
| 3 | NC | No connection | 24 | GND | Ground |
| 4 | NC | No connection | 25 | GND | Ground |
| 5 | NC | No connection | 26 | R4AN | FORTH LVDS Receiver Signal (A-) |
| 6 | NC | No connection | 27 | R4AP | FORTH LVDS Receiver Signal (A+) |
| 7 | NC | No connection | 28 | R4BN | FORTH LVDS Receiver Signal (B-) |
| 8 | NC | No connection | 29 | R4BP | FORTH LVDS Receiver Signal (B+) |
| 9 | GND | Ground | 30 | R4CN | FORTH LVDS Receiver Signal (C-) |
| 10 | R3AN | THIRD LVDS Receiver Signal (A-) | 31 | R4CP | FORTH LVDS Receiver Signal (C+) |
| 11 | R3AP | THIRD LVDS Receiver Signal (A+) | 32 | GND | Ground |
| 12 | R3BN | THIRD LVDS Receiver Signal (B-) | 33 | R4CLKN | FORTH LVDS Receiver Clock Signal(-) |
| 13 | R3BP | THIRD LVDS Receiver Signal (B+) | 34 | R4CLKP | FORTH LVDS Receiver Clock Signal(+) |
| 14 | R3CN | THIRD LVDS Receiver Signal (C-) | 35 | GND | Ground |
| 15 | R3CP | THIRD LVDS Receiver Signal (C+) | 36 | R4DN | FORTH LVDS Receiver Signal (D-) |
| 16 | GND | Ground | 37 | R4DP | FORTH LVDS Receiver Signal (D+) |
| 17 | R3CLKN | THIRD LVDS Receiver Clock Signal(-) | 38 | R4EN | FORTH LVDS Receiver Signal (E-) |
| 18 | R3CLKP | THIRD LVDS Receiver Clock Signal(+) | 39 | R4EP | FORTH LVDS Receiver Signal (E+) |
| 19 | GND | Ground | 40 | GND | Ground |
| 20 | R3DN | THIRD LVDS Receiver Signal (D-) | 41 | GND | Ground |
| 21 | R3DP | THIRD LVDS Receiver Signal (D+) | - | | |

Notes : 1. All GND(ground) pins should be connected together to the LCD module's metal frame.



Product Specification

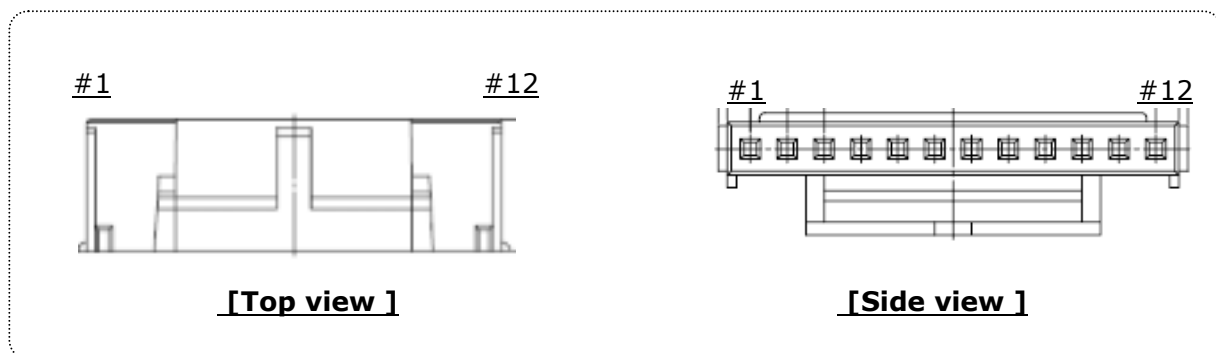
3-2-2. Backlight Interface

- LED Connector : H401K-D12N-12B (Manufactured by E&T)
- Mating Connector : 4530K-F12N-01R (Manufactured by E&T) or Equivalent.

Table 5. LED CONNECTOR PIN CONFIGURATION

| Pin No. | Symbol | Description | Note |
|---------|--------|-----------------------------|------|
| 1 | G_1- | Green LED channel 1 Cathode | |
| 2 | G_2- | Green LED channel 2 Cathode | |
| 3 | G_+ | Green Common Anode | |
| 4 | B_+ | Blue Common Anode | |
| 5 | B_1- | Blue LED channel 1 Cathode | |
| 6 | B_2- | Blue LED channel 2 Cathode | |
| 7 | B_3- | Blue LED channel 3 Cathode | |
| 8 | B_4- | Blue LED channel 4 Cathode | |
| 9 | B_+ | Blue Common Anode | |
| 10 | G_+ | Green Common Anode | |
| 11 | G_3- | Green LED channel 3 Cathode | |
| 12 | G_4- | Green LED channel 4 Cathode | |

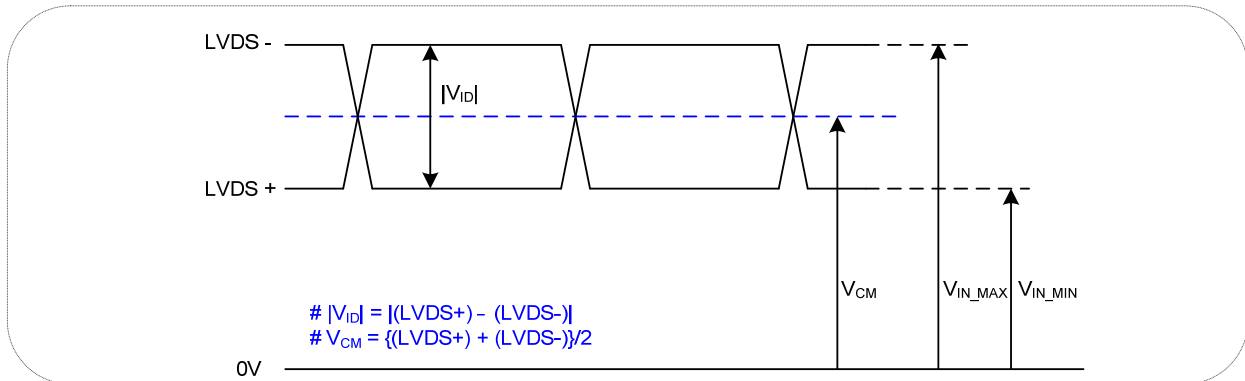
- Notes :
1. Green Common Anode Pin. No. 3 & 10 must be connected electrically for stable operation.
 2. Blue Common Anode Pin. No. 4 & 9 must be connected electrically for stable operation.



Product Specification

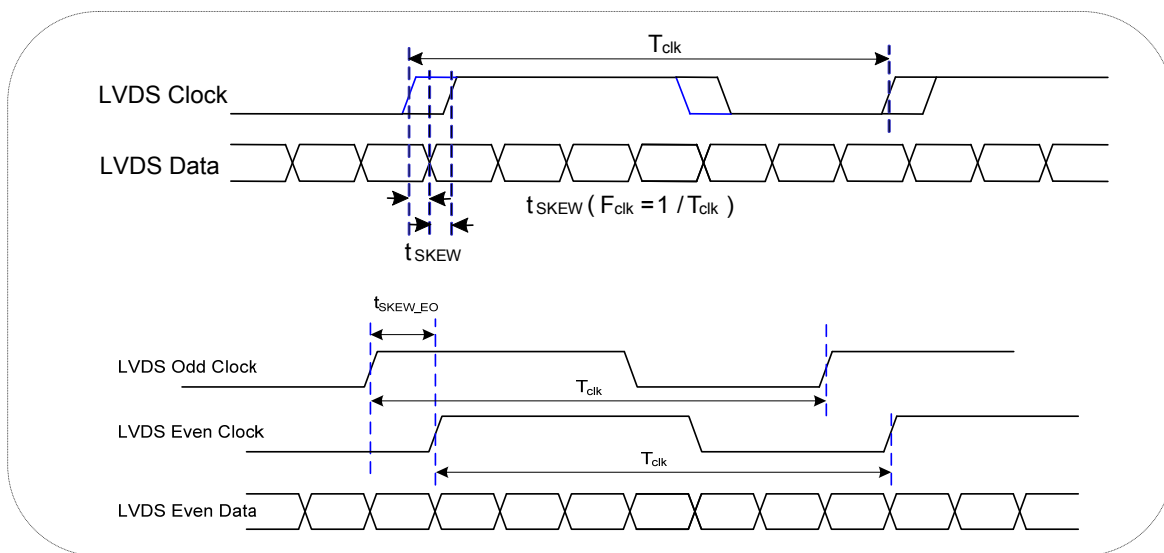
3-3. LVDS characteristics

3-3-1. DC Specification



| Description | Symbol | Min | Max | Unit | Notes |
|-------------------------------|------------------|-----|-----|------|-------|
| LVDS Differential Voltage | V _{ID} | 200 | 600 | mV | - |
| LVDS Common mode Voltage | V _{CM} | 1.0 | 1.5 | V | - |
| LVDS Input Voltage Range | V _{IN} | 0.7 | 1.8 | V | - |
| Change in common mode Voltage | ΔV _{CM} | - | 250 | mV | - |

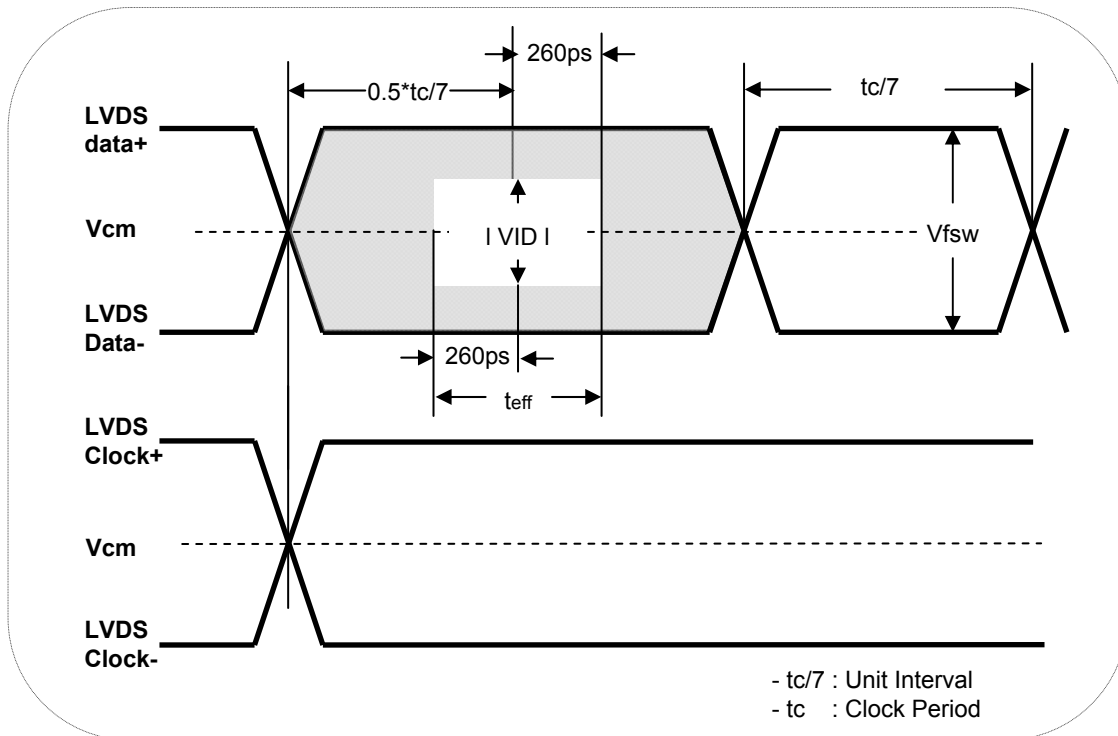
3-3-2. AC Specification



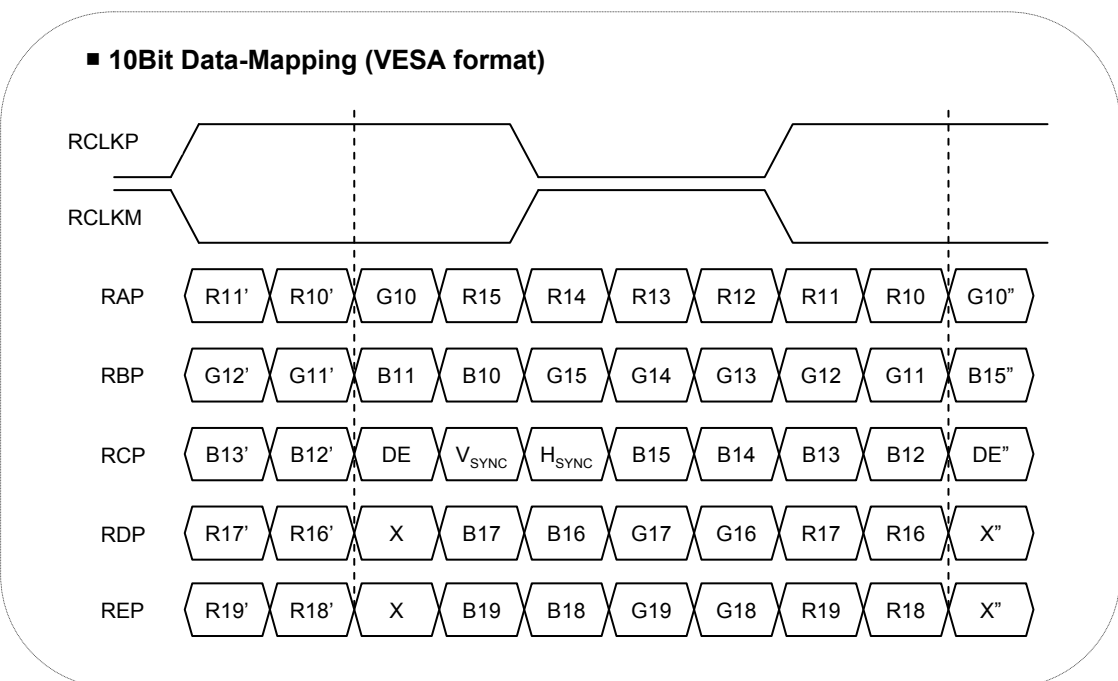
| Description | Symbol | Min | Max | Unit | Notes |
|---------------------------------|----------------------|------------------------------|------------------------------|------------------|-------|
| LVDS Clock to Data Skew Margin | t _{SKEW} | - (0.25*t _{CLK})/7 | + (0.25*t _{CLK})/7 | ps | |
| LVDS Clock to Clock Skew Margin | t _{SKEW_EO} | - 1/7 | + 1/7 | T _{clk} | - |
| Effective time of LVDS | t _{eff} | 520 | | ps | - |

Product Specification

- LVDS Effective Period



3-3-3. LVDS Data format



Product Specification

3-4. Signal Timing Specifications

This is the signal timing required at the input of the LVDS Transmitter. All of the interface signal timing should be satisfied with the following specifications for its proper operation.

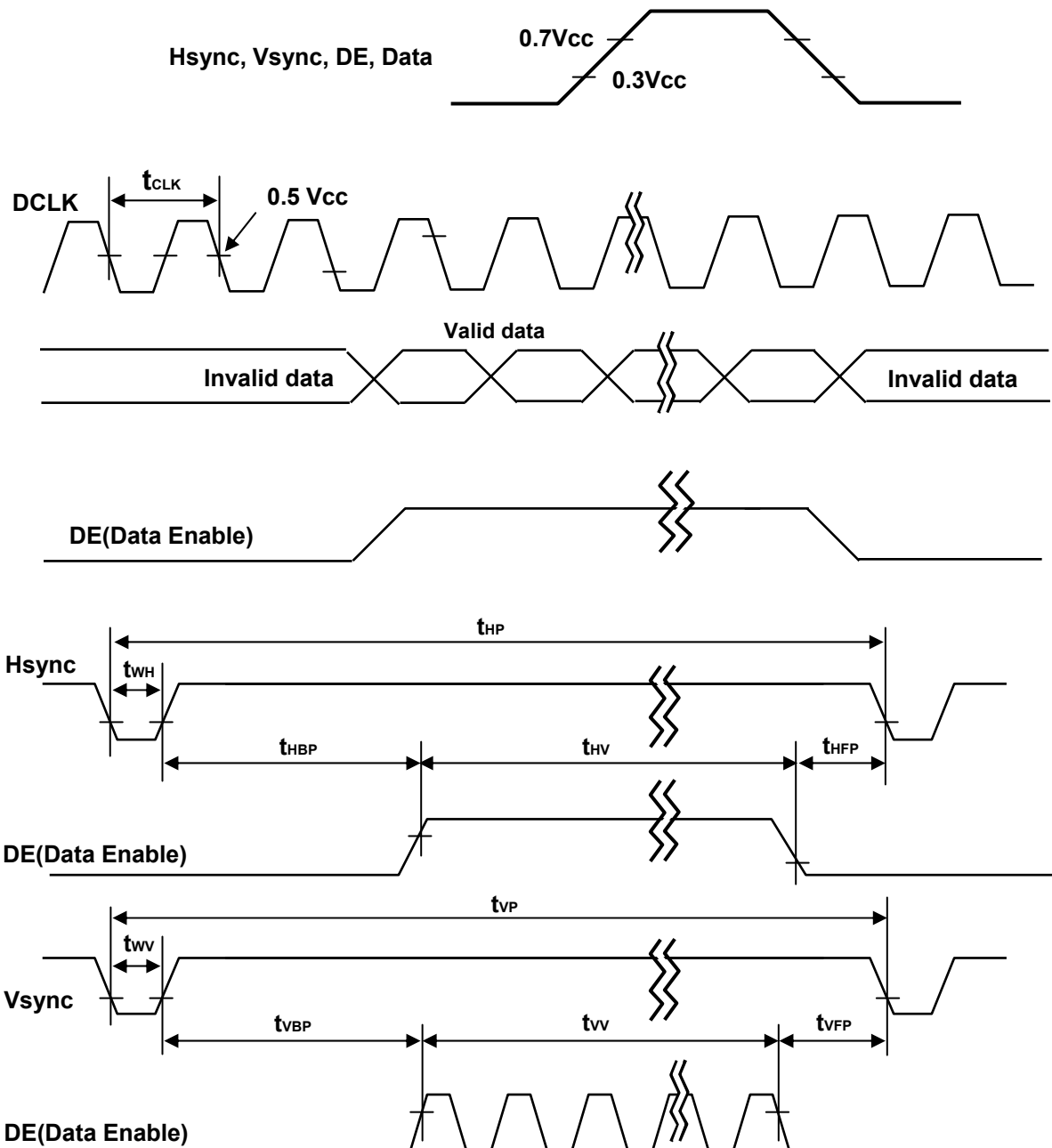
Table 6. TIMING TABLE (Resolution : 2560x1600)

| Parameter | | Symbol | Min. | Typ. | Max. | Unit | Notes |
|-------------|------------------------|--------|-------|--------|-------|------|-----------------------------------|
| DCLK | Period | tCLK | 14.81 | 14.89 | 14.98 | ns | Pixel frequency : Typ.268.5MHz |
| | Frequency | fCLK | 66.75 | 67.125 | 67.5 | MHz | |
| Hsync | Period | tHP | 678 | 680 | 682 | tCLK | |
| | Width-Active | tWH | 8 | 8 | 8 | | |
| Vsync | Period | tVP | 1645 | 1646 | 1647 | tHP | |
| | Frequency | fV | 59.18 | 59.97 | 60.97 | Hz | |
| | Width-Active | tWV | 6 | 6 | 6 | tHP | |
| Data Enable | Horizontal Valid | tHV | 640 | 640 | 640 | tCLK | |
| | Horizontal Back Porch | tHBP | 20 | 20 | 20 | | |
| | Horizontal Front Porch | tHFP | 12 | 12 | 12 | | |
| | Horizontal Blank | - | 38 | 40 | 42 | | |
| | Vertical Valid | tVV | 1600 | 1600 | 1600 | tHP | |
| | Vertical Back Porch | tVBP | 38 | 38 | 38 | | |
| | Vertical Front Porch | tVFP | 2 | 2 | 2 | | |
| | Vertical Blank | - | 45 | 46 | 47 | | |

Note: Hsync period and Hsync width-active should be even number times of tCLK. If the value is odd number times of tCLK, display control signal can be asynchronous. In order to operate this LCM a Hsync, Vsyn, and DE(data enable) signals should be used.

1. : The performance of the electro-optical characteristics may be influenced by variance of the vertical refresh rates.
2. Vsync and Hsync should be keep the above specification.
3. Hsync Period, Hsync Width, and Horizontal Back Porch should be any times of of character number(8).
4. The polarity of Hsync, Vsync is not restricted.

3-5. Signal Timing Waveforms



Product Specification

3-6. Color Input Data Reference

The brightness of each primary color (red, green and blue) is based on the 10-bit gray scale data input for the color ; the higher the binary input, the brighter the color. The table below provides a reference for color versus data input.

Table 7. COLOR DATA REFERENCE

| Color | | Input Color Data | | | | | | | | | | | | | | | | | | | | | | | | | | | | | | | | | | | | | | |
|-------------|--------------|------------------|-----|-----|-----|-----|-----|-----|-----|-----|-----|-------|-----|-----|-----|-----|------|-----|-----|-----|-----|-----|-----|-----|-----|-----|-----|-----|-----|-----|-----|-----|-----|-----|-----|-----|-----|-----|-----|---|
| | | RED | | | | | | | | | | GREEN | | | | | BLUE | | | | | | | | | | | | | | | | | | | | | | | |
| | | MSB | LSB | MSB | LSB | MSB | LSB | MSB | LSB | MSB | LSB | G9 | G8 | G7 | G6 | G5 | G4 | G3 | G2 | G1 | G0 | B9 | B8 | B7 | B6 | B5 | B4 | B3 | B2 | B1 | B0 | | | | | | | | | |
| Basic Color | Black | 0 | 0 | 0 | 0 | 0 | 0 | 0 | 0 | 0 | 0 | 0 | 0 | 0 | 0 | 0 | 0 | 0 | 0 | 0 | 0 | 0 | 0 | 0 | 0 | 0 | 0 | 0 | 0 | 0 | 0 | 0 | 0 | 0 | 0 | 0 | 0 | 0 | 0 | 0 |
| | Red (1023) | 1 | 1 | 1 | 1 | 1 | 1 | 1 | 1 | 1 | 1 | 1 | 1 | 1 | 1 | 1 | 1 | 1 | 1 | 1 | 0 | 0 | 0 | 0 | 0 | 0 | 0 | 0 | 0 | 0 | 0 | 0 | 0 | 0 | 0 | 0 | 0 | 0 | 0 | 0 |
| | Green (1023) | 0 | 0 | 0 | 0 | 0 | 0 | 0 | 0 | 0 | 0 | 0 | 0 | 0 | 0 | 0 | 0 | 0 | 0 | 0 | 1 | 1 | 1 | 1 | 1 | 1 | 1 | 1 | 1 | 1 | 0 | 0 | 0 | 0 | 0 | 0 | 0 | 0 | 0 | 0 |
| | Blue (1023) | 0 | 0 | 0 | 0 | 0 | 0 | 0 | 0 | 0 | 0 | 0 | 0 | 0 | 0 | 0 | 0 | 0 | 0 | 0 | 0 | 0 | 0 | 0 | 0 | 0 | 0 | 0 | 0 | 0 | 1 | 1 | 1 | 1 | 1 | 1 | 1 | 1 | 1 | 1 |
| | Cyan | 0 | 0 | 0 | 0 | 0 | 0 | 0 | 0 | 0 | 0 | 0 | 0 | 0 | 0 | 0 | 0 | 0 | 0 | 0 | 1 | 1 | 1 | 1 | 1 | 1 | 1 | 1 | 1 | 1 | 1 | 1 | 1 | 1 | 1 | 1 | 1 | 1 | 1 | 1 |
| | Magenta | 1 | 1 | 1 | 1 | 1 | 1 | 1 | 1 | 1 | 1 | 1 | 1 | 1 | 1 | 1 | 1 | 1 | 1 | 1 | 0 | 0 | 0 | 0 | 0 | 0 | 0 | 0 | 0 | 0 | 1 | 1 | 1 | 1 | 1 | 1 | 1 | 1 | 1 | 1 |
| | Yellow | 1 | 1 | 1 | 1 | 1 | 1 | 1 | 1 | 1 | 1 | 1 | 1 | 1 | 1 | 1 | 1 | 1 | 1 | 1 | 1 | 1 | 1 | 1 | 1 | 1 | 1 | 1 | 1 | 1 | 0 | 0 | 0 | 0 | 0 | 0 | 0 | 0 | 0 | 0 |
| | White | 1 | 1 | 1 | 1 | 1 | 1 | 1 | 1 | 1 | 1 | 1 | 1 | 1 | 1 | 1 | 1 | 1 | 1 | 1 | 1 | 1 | 1 | 1 | 1 | 1 | 1 | 1 | 1 | 1 | 1 | 1 | 1 | 1 | 1 | 1 | 1 | 1 | 1 | 1 |
| RED | RED (000) | 0 | 0 | 0 | 0 | 0 | 0 | 0 | 0 | 0 | 0 | 0 | 0 | 0 | 0 | 0 | 0 | 0 | 0 | 0 | 0 | 0 | 0 | 0 | 0 | 0 | 0 | 0 | 0 | 0 | 0 | 0 | 0 | 0 | 0 | 0 | 0 | 0 | 0 | |
| | RED (001) | 0 | 0 | 0 | 0 | 0 | 0 | 0 | 0 | 0 | 0 | 0 | 0 | 0 | 0 | 0 | 0 | 0 | 0 | 1 | 0 | 0 | 0 | 0 | 0 | 0 | 0 | 0 | 0 | 0 | 0 | 0 | 0 | 0 | 0 | 0 | 0 | 0 | 0 | 0 |
| | ... | ... | ... | ... | ... | ... | ... | ... | ... | ... | ... | ... | ... | ... | ... | ... | ... | ... | ... | ... | ... | ... | ... | ... | ... | ... | ... | ... | ... | ... | ... | ... | ... | ... | ... | ... | ... | ... | ... | |
| | RED (1022) | 1 | 1 | 1 | 1 | 1 | 1 | 1 | 1 | 1 | 1 | 1 | 1 | 1 | 1 | 1 | 1 | 1 | 0 | 0 | 0 | 0 | 0 | 0 | 0 | 0 | 0 | 0 | 0 | 0 | 0 | 0 | 0 | 0 | 0 | 0 | 0 | 0 | 0 | |
| | RED (1023) | 1 | 1 | 1 | 1 | 1 | 1 | 1 | 1 | 1 | 1 | 1 | 1 | 1 | 1 | 1 | 1 | 1 | 1 | 0 | 0 | 0 | 0 | 0 | 0 | 0 | 0 | 0 | 0 | 0 | 0 | 0 | 0 | 0 | 0 | 0 | 0 | 0 | 0 | |
| GREEN | GREEN (000) | 0 | 0 | 0 | 0 | 0 | 0 | 0 | 0 | 0 | 0 | 0 | 0 | 0 | 0 | 0 | 0 | 0 | 0 | 0 | 0 | 0 | 0 | 0 | 0 | 0 | 0 | 0 | 0 | 0 | 0 | 0 | 0 | 0 | 0 | 0 | 0 | 0 | 0 | |
| | GREEN (001) | 0 | 0 | 0 | 0 | 0 | 0 | 0 | 0 | 0 | 0 | 0 | 0 | 0 | 0 | 0 | 0 | 0 | 0 | 1 | 0 | 0 | 0 | 0 | 0 | 0 | 0 | 0 | 0 | 0 | 0 | 0 | 0 | 0 | 0 | 0 | 0 | 0 | 0 | 0 |
| | ... | ... | ... | ... | ... | ... | ... | ... | ... | ... | ... | ... | ... | ... | ... | ... | ... | ... | ... | ... | ... | ... | ... | ... | ... | ... | ... | ... | ... | ... | ... | ... | ... | ... | ... | ... | ... | ... | ... | |
| | GREEN (1022) | 0 | 0 | 0 | 0 | 0 | 0 | 0 | 0 | 0 | 0 | 0 | 0 | 0 | 0 | 0 | 0 | 0 | 0 | 1 | 1 | 1 | 1 | 1 | 1 | 1 | 1 | 1 | 1 | 0 | 0 | 0 | 0 | 0 | 0 | 0 | 0 | 0 | 0 | 0 |
| | GREEN (1023) | 0 | 0 | 0 | 0 | 0 | 0 | 0 | 0 | 0 | 0 | 0 | 0 | 0 | 0 | 0 | 0 | 0 | 0 | 1 | 1 | 1 | 1 | 1 | 1 | 1 | 1 | 1 | 1 | 1 | 0 | 0 | 0 | 0 | 0 | 0 | 0 | 0 | 0 | 0 |
| BLUE | BLUE (000) | 0 | 0 | 0 | 0 | 0 | 0 | 0 | 0 | 0 | 0 | 0 | 0 | 0 | 0 | 0 | 0 | 0 | 0 | 0 | 0 | 0 | 0 | 0 | 0 | 0 | 0 | 0 | 0 | 0 | 0 | 0 | 0 | 0 | 0 | 0 | 0 | 0 | 0 | |
| | BLUE (001) | 0 | 0 | 0 | 0 | 0 | 0 | 0 | 0 | 0 | 0 | 0 | 0 | 0 | 0 | 0 | 0 | 0 | 0 | 1 | 0 | 0 | 0 | 0 | 0 | 0 | 0 | 0 | 0 | 0 | 0 | 0 | 0 | 0 | 0 | 0 | 0 | 0 | 0 | 1 |
| | ... | ... | ... | ... | ... | ... | ... | ... | ... | ... | ... | ... | ... | ... | ... | ... | ... | ... | ... | ... | ... | ... | ... | ... | ... | ... | ... | ... | ... | ... | ... | ... | ... | ... | ... | ... | ... | ... | ... | |
| | BLUE (1022) | 0 | 0 | 0 | 0 | 0 | 0 | 0 | 0 | 0 | 0 | 0 | 0 | 0 | 0 | 0 | 0 | 0 | 0 | 1 | 0 | 0 | 0 | 0 | 0 | 0 | 0 | 0 | 0 | 0 | 1 | 1 | 1 | 1 | 1 | 1 | 1 | 1 | 1 | 0 |
| | BLUE (1023) | 0 | 0 | 0 | 0 | 0 | 0 | 0 | 0 | 0 | 0 | 0 | 0 | 0 | 0 | 0 | 0 | 0 | 0 | 1 | 0 | 0 | 0 | 0 | 0 | 0 | 0 | 0 | 0 | 0 | 1 | 1 | 1 | 1 | 1 | 1 | 1 | 1 | 1 | 1 |

3-7. Power Sequence for Panel

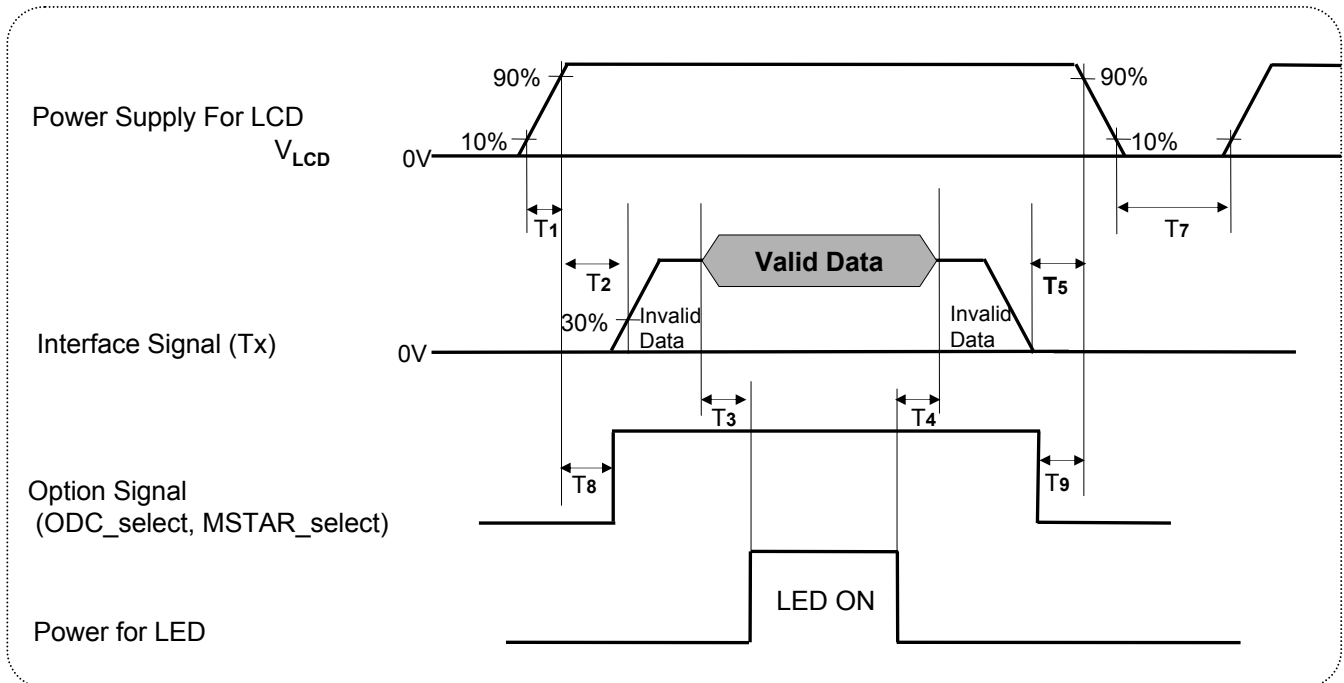


Table 8. Power sequence

| Parameter | Values | | | Units |
|-----------|--------|-----|-----|-------|
| | Min | Typ | Max | |
| T1 | 0.5 | - | 10 | ms |
| T2 | 0.5 | - | 50 | ms |
| T3 | 500 | - | - | ms |
| T4 | 200 | - | - | ms |
| T5 | 0.01 | - | 50 | ms |
| T7 | 1 | - | - | s |
| T8 | 0.5 | - | T2 | ms |
| T9 | 0 | - | - | ms |

Notes :

1. Please V_{LCD} power on only after connecting interface cable to LCD.
2. Please avoid floating state of interface signal at invalid period.
3. When the interface signal is invalid, be sure to pull down the power supply for LCD V_{LCD} to 0V.
4. LED power must be turn on after power supply for LCD an interface signal are valid.
5. If the on time of signals (Interface signal and Option signals) precedes the on time of Power(V_{LCD}), it will be happened abnormal display.

3-8. Power Sequence for Inverter

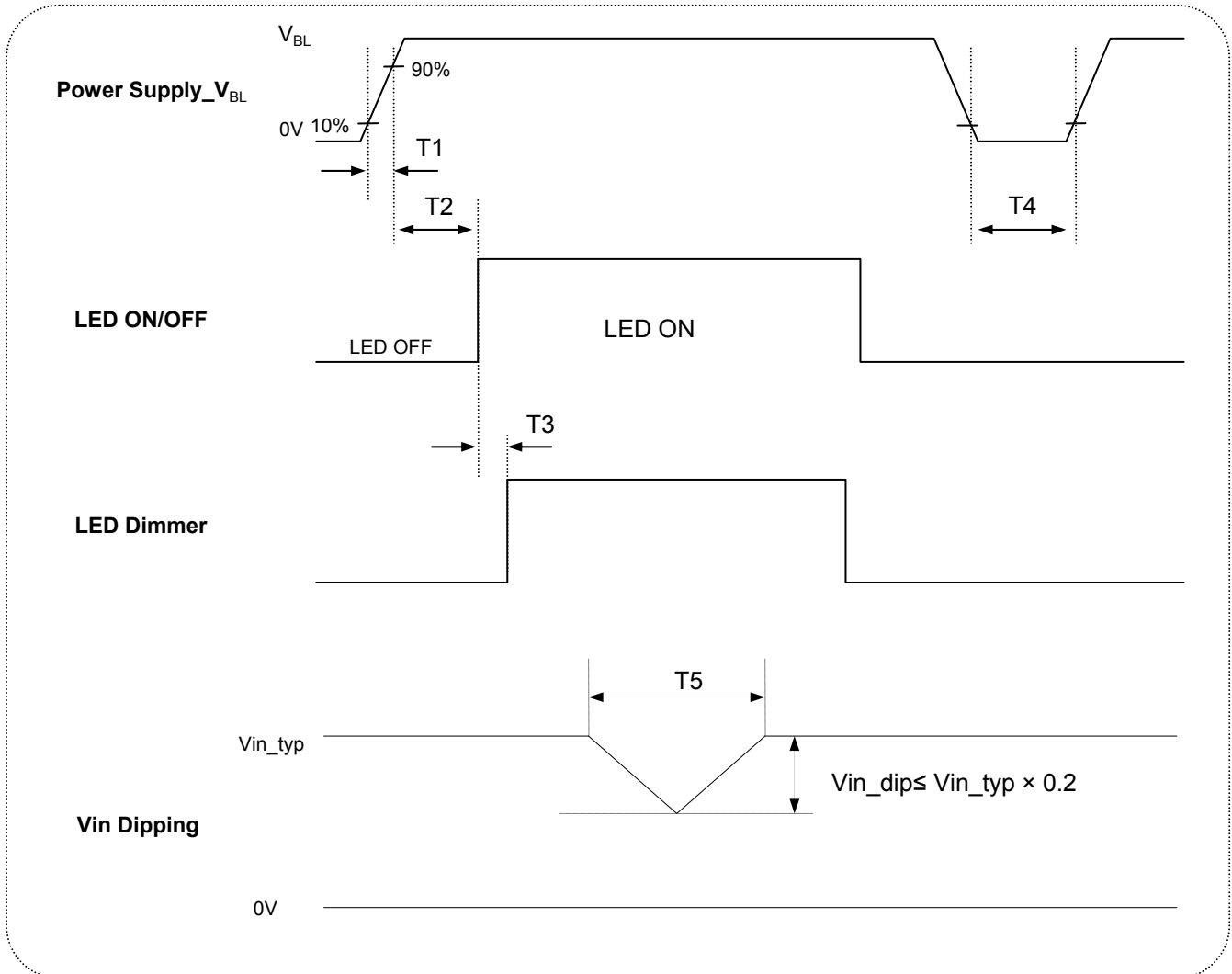


Table 9. Power Sequence

| Parameter | Values | | | Units | Notes |
|-----------|--------|------|------|-------|-------|
| | Min. | Typ. | Max. | | |
| T1 | 10 | - | - | ms | |
| T2 | 200 | - | - | ms | |
| T3 | - | - | 50 | ms | |
| T4 | 500 | - | - | ms | |
| T5 | - | - | 10 | ms | |

Product Specification

4. Optical Specification

Optical characteristics are determined after the unit has been 'ON' for approximately 30 minutes in a dark environment at 25±2°C. The values specified are at an approximate distance 50cm from the LCD surface at a viewing angle of Φ and θ equal to 0 ° and aperture 1 degree.

FIG. 2 presents additional information concerning the measurement equipment and method.

Table 10. Optical characteristics

(Ta=25±2°C, V_{LCD}=12V, f_V=60Hz, CLK=134.25MHz, I_{OUT}=105(G), 65(B)mA)

| Parameter | Symbol | Values | | | Units | Notes | |
|---|-------------------------|-------------------------|--------------|---------|-------------------|--------|---|
| | | Min | Typ | Max | | | |
| Contrast Ratio | CR | (700) | 1000 | | | 1 | |
| Surface Luminance, white | L _{WH} | 280 | 350 | | cd/m ² | 2 | |
| Luminance Variation | δ_{WHITE} | 75 | - | - | % | 3 | |
| Luminance Uniformity (angular dependant) | | - | - | 1.7 | TCO '6.0 | | |
| Response Time | Rise Time | Tr _R | (6) | 12 | ms | 4 | |
| | Decay Time | Tr _D | (6) | 12 | ms | 4 | |
| | Gray To Gray | T _{GTG AVR} | - | (6) | - | ms | 5 |
| | | T _{GTG MAX} | - | 17 | - | ms | 5 |
| Color Coordinates [CIE1931] | RED | Rx | | (0.680) | Typ +0.03 | | |
| | | Ry | | (0.310) | | | |
| | GREEN | Gx | Typ -0.03 | (0.210) | | | |
| | | Gy | | (0.700) | | | |
| | BLUE | Bx | | (0.147) | | | |
| | | By | | (0.054) | | | |
| | WHITE | Wx | | 0.313 | | | |
| | Wy | 0.329 | | | | | |
| Color Coordinates [CIE1976] | RED | Ru' | | (0.507) | - | | |
| | | Rv' | | (0.521) | | | |
| | GREEN | Gu' | | (0.077) | | | |
| | | Gv' | | (0.574) | | | |
| | BLUE | Bu' | | (0.175) | | | |
| | | Bv' | | (0.145) | | | |
| | WHITE | Wu' | | 0.198 | | | |
| | Wv' | | 0.468 | | | | |
| Color shift | Horizontal | $\theta_{\text{CST H}}$ | - | 176 | - | degree | 6 |
| | Vertical | $\theta_{\text{CST V}}$ | - | 176 | - | | |
| Viewing Angle (CR>10) | | | | | | | |
| general | Horizontal | θ_{H} | 170 | 178 | - | degree | 7 |
| | Vertical | θ_{V} | 170 | 178 | - | | |
| Effective | Horizontal | $\theta_{\text{GMA H}}$ | - | 176 | - | degree | 8 |
| | Vertical | $\theta_{\text{GMA V}}$ | - | 176 | - | | |
| Gray Scale | | | 2.0 | 2.2 | 2.4 | | 9 |

Product Specification

Notes 1. Contrast Ratio(CR) is defined mathematically as : (By PR880)

$$\text{Contrast Ratio} = \frac{\text{Surface Luminance with all white pixels}}{\text{Surface Luminance with all black pixels}}$$

It is measured at center point(Location P1)

2. Surface luminance(L_{WH})is luminance value at center 1 point(1) across the LCD surface 50cm from the surface with all pixels displaying white. For more information see FIG 3.

3. The variation in surface luminance , δ_{WHITE} is defined as : (By PR880)

$$\delta_{WHITE} = \frac{\text{Minimum}(L_{P1}, L_{P2}, \dots, L_{P9})}{\text{Maximum}(L_{P1}, L_{P2}, \dots, L_{P9})} \times 100$$

Where L1 to L9 are the luminance with all pixels displaying white at 9 locations. For more information see FIG 3.

4. Response time is the time required for the display to transition from black to white (Rise Time, Tr_R) and from white to black (Decay Time, Tr_D). For additional information see FIG 4. (By RD-80S)

5. Gray to gray response time is the time required for the display to transition from gray to gray. For additional information see Table 8. (By PR880)

6. Color shift is the angle at which the color difference is lower than 0.04.

For more information see FIG 5. (By EZ Contrast)

- Color difference ($\Delta u'v'$)

$$u' = \frac{4x}{-2x + 12y + 3} \quad v' = \frac{9y}{-2x + 12y + 3}$$

$$\Delta u'v' = \sqrt{(u'_1 - u'_2)^2 + (v'_1 - v'_2)^2} \quad \begin{array}{l} u'_1, v'_1 : u'v' \text{ value at viewing angle direction} \\ u'_2, v'_2 : u'v' \text{ value at front } (\theta=0) \end{array}$$

- Pattern size : 25% Box size

- Viewing angle direction of color shift : Horizontal, Vertical

7. Viewing angle is the angle at which the contrast ratio is greater than 10. The angles are determined for the horizontal or x axis and the vertical or y axis with respect to the z axis which is normal to the LCD surface. For more information see FIG 6. (By PR880)

8. Effective viewing angle is the angle at which the gamma shift of gray scale is lower than 0.3. For more information see FIG 7 and FIG 8.

9. Gray scale specification

Gamma Value is approximately 2.2. For more information see Table 9.

Product Specification

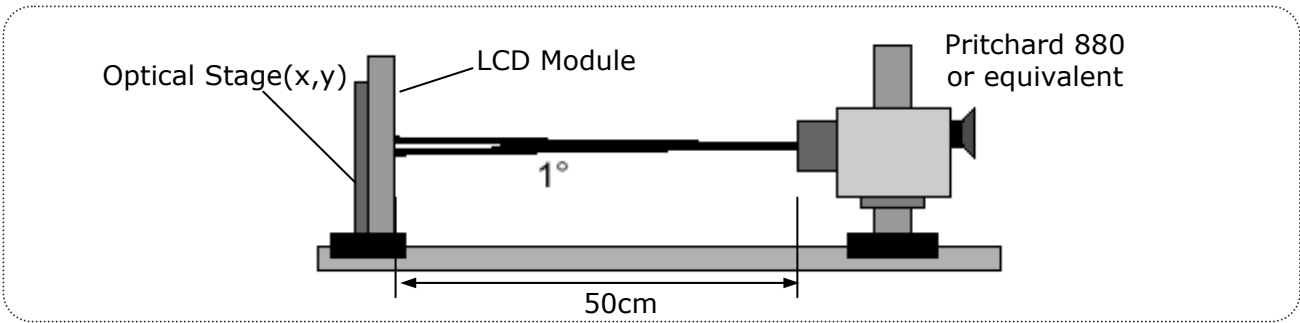


FIG. 2 Optical Characteristic Measurement Equipment and Method

Measuring point for surface luminance & measuring point for luminance variation.

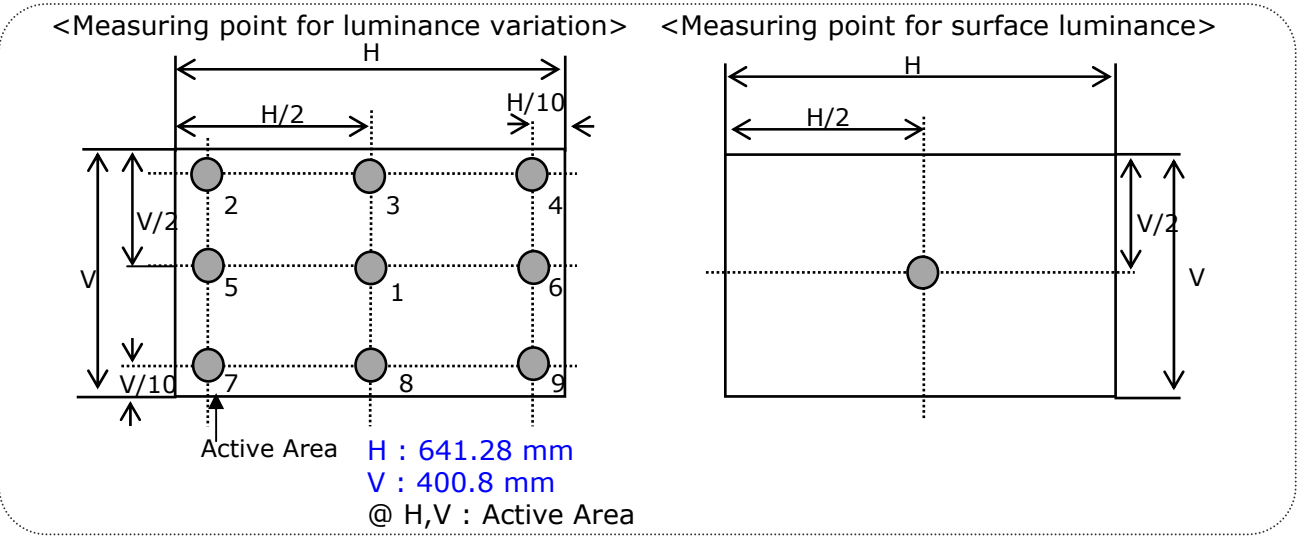


FIG. 3 Measure Point for Luminance

The response time is defined as the following figure and shall be measured by switching the input signal for "black" and "white".

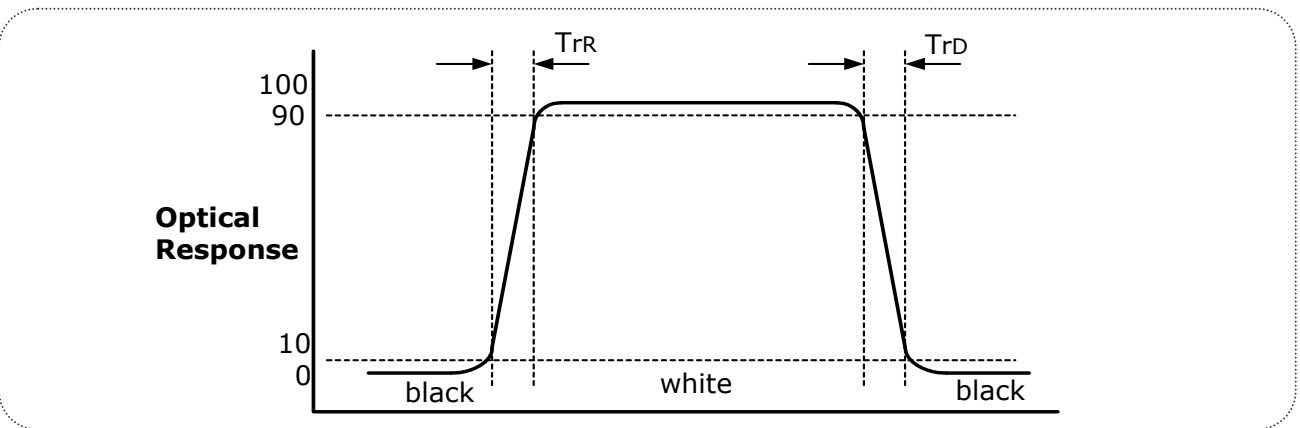


FIG. 4 Response Time

Product Specification

The gray to gray response time is defined as the following figure and shall be measured by switching the input signal for "Gray To Gray".

- Gray step : 5 step
- T_{GTG_AVR} is the total average time at rising time and falling time for "Gray To Gray".
- T_{GTG_MAX} is the max time at rising time or falling time for "Gray To Gray".

Table 8. Gray to gray response time table

| Gray to Gray | | Rising Time | | | | |
|--------------|------|-------------|------|------|-----|----|
| | | G255 | G191 | G127 | G63 | G0 |
| Falling Time | G255 | | | | | |
| | G191 | | | | | |
| | G127 | | | | | |
| | G63 | | | | | |
| | G0 | | | | | |

Color shift is defined as the following test pattern and color.

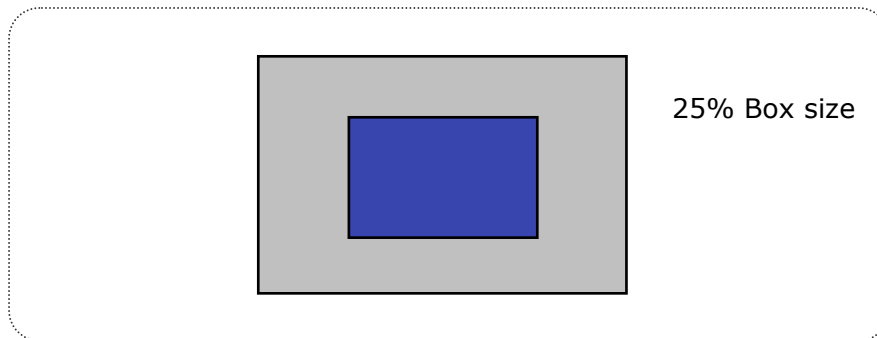


FIG. 5 Test Pattern

Average RGB values in Bruce RGB for Macbeth Chart

| | | | | | | |
|---|-----------|---------------|--------------|-----------|--------------|---------------|
| | Dark skin | Light skin | Blue sky | Foliage | Blue flower | Bluish green |
| R | 98 | 206 | 85 | 77 | 129 | 114 |
| G | 56 | 142 | 112 | 102 | 118 | 199 |
| B | 45 | 123 | 161 | 46 | 185 | 178 |
| | Orange | Purplish blue | Moderate red | Purple | Yellow green | Orange yellow |
| R | 219 | 56 | 211 | 76 | 160 | 230 |
| G | 104 | 69 | 67 | 39 | 193 | 162 |
| B | 24 | 174 | 87 | 86 | 58 | 29 |
| | Blue | Green | Red | Yellow | Magenta | cyan |
| R | 26 | 72 | 197 | 241 | 207 | 35 |
| G | 32 | 148 | 27 | 212 | 62 | 126 |
| B | 145 | 65 | 37 | 36 | 151 | 172 |
| | White | Neutral 8 | Neutral 6.5 | Neutral 5 | Neutral 3.5 | black |
| R | 240 | 206 | 155 | 110 | 63 | 22 |
| G | 240 | 206 | 155 | 110 | 63 | 22 |
| B | 240 | 206 | 155 | 110 | 63 | 22 |

Product Specification

Dimension of viewing angle range.

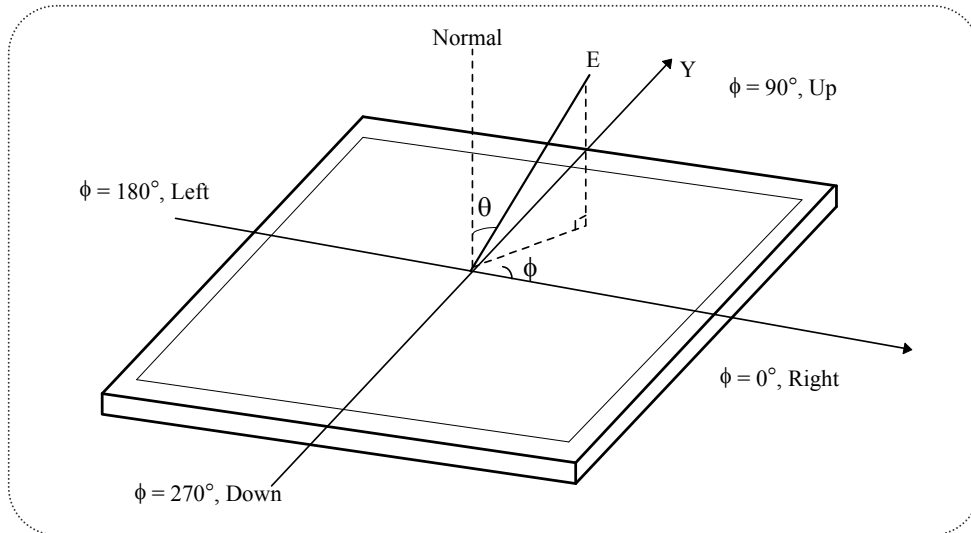


FIG. 6 Viewing angle

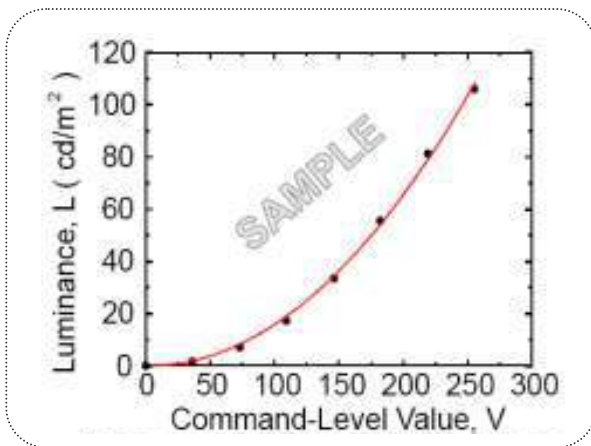


FIG. 7 Sample Luminance vs. gray scale (using a 256 bit gray scale)

$$L = aV^r + L_b$$

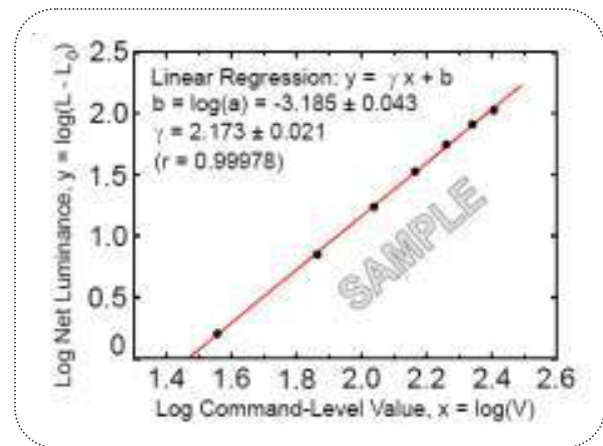


FIG. 8 Sample Log-log plot of luminance vs. gray scale

$$\log(L - L_b) = r \log(V) + \log(a)$$

Here the Parameter α and γ relate the signal level V to the luminance L .

The GAMMA we calculate from the log-log representation (FIG. 8)

Product Specification

Table 11. Gray Scale Specification

| Gray Level | Relative Luminance [%] (Typ.) |
|------------|-------------------------------|
| 0 | 0.10 |
| 127 | 1.08 |
| 255 | 4.71 |
| 383 | 11.52 |
| 511 | 21.72 |
| 639 | 35.51 |
| 767 | 53.07 |
| 895 | 74.52 |
| 1023 | 100 |

Product Specification

5. Mechanical Characteristics

The contents provide general mechanical characteristics. In addition the figures in the next page are detailed mechanical drawing of the LCD.

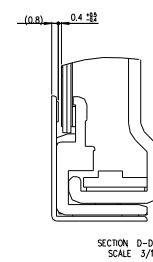
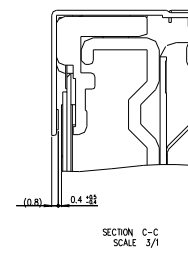
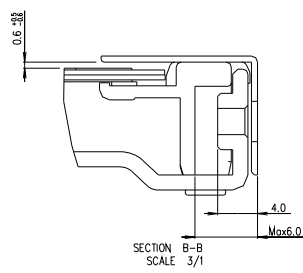
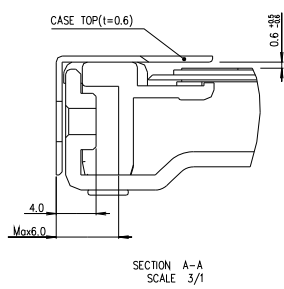
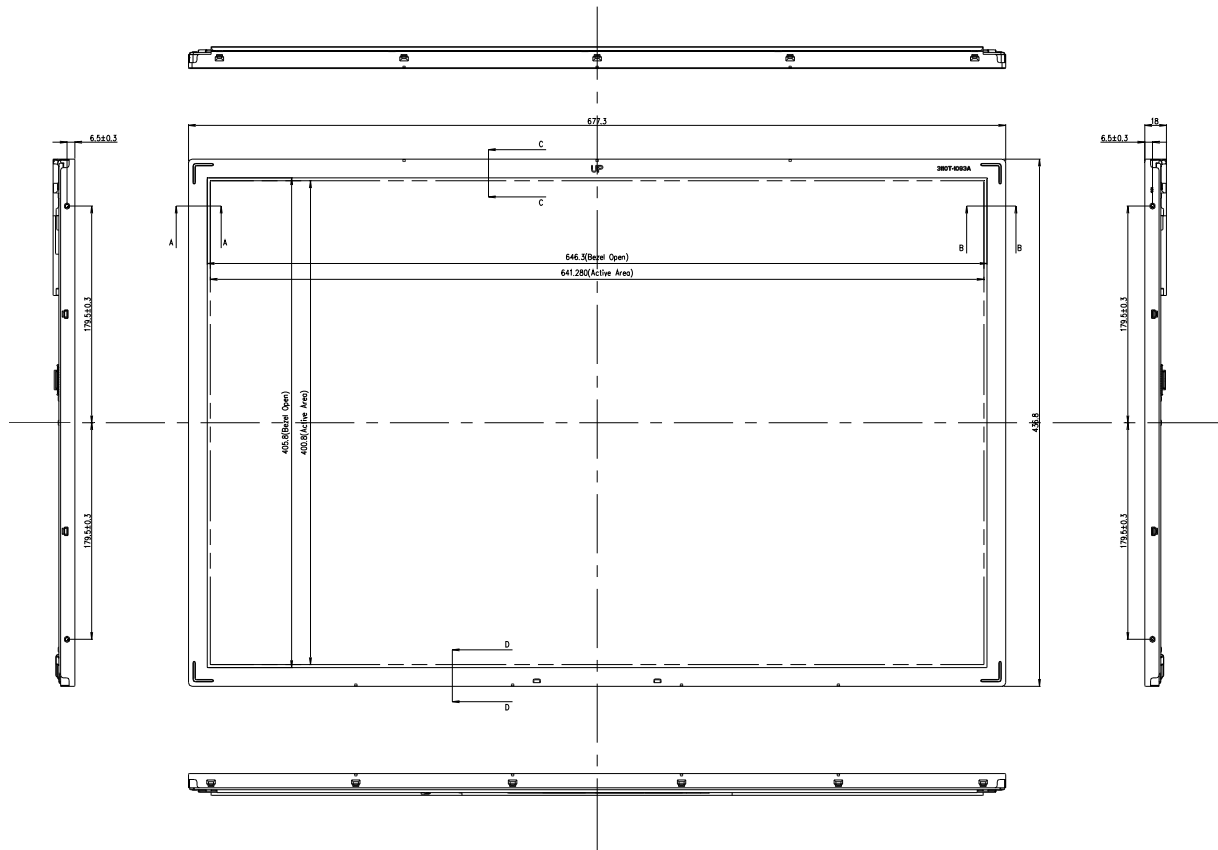
Table 12. Mechanical characteristics

| | | |
|---------------------|--|-----------|
| Outline Dimension | Horizontal | 677.30 mm |
| | Vertical | 436.80 mm |
| | Depth | 18.00 mm |
| Bezel Area | Horizontal | 646.30 mm |
| | Vertical | 405.80 mm |
| Active Display Area | Horizontal | 641.28 mm |
| | Vertical | 400.8 mm |
| Weight | 4,150g (Typ.), 4,360g (Max.) | |
| Surface Treatment | Hard coating(3H) Anti-glare(13%) treatment of the front polarizer | |

Notes : Please refer to a mechanic drawing in terms of tolerance at the next page.

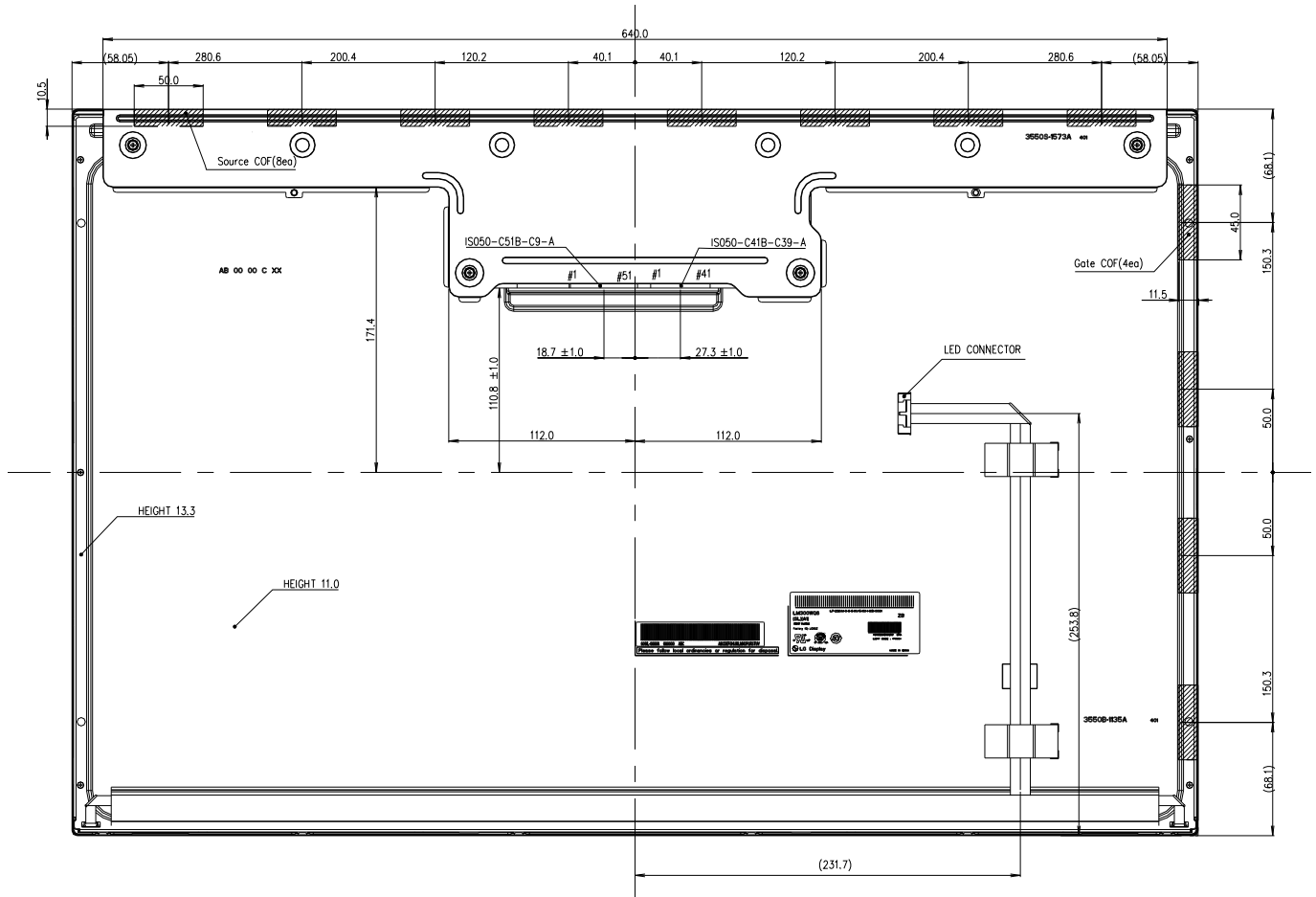
Product Specification

<FRONT VIEW>



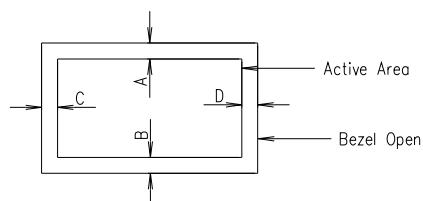
Product Specification

<REAR VIEW>



Notes

1. I/F Connector Specification
- IS050-C51B-C9-A & IS050-C41B-C39-A
2. LED Connector Specification
- E&T, H401K-D12N-12B or Compatible
3. Torque of user hole : 2.5~3.5kgf-cm
4. Tilt and partial disposition tolerance of display area as following
 - (1) Y-direction : IA-BI \leq 1.4mm
 - (2) X-direction : IA-BI \leq 1.4mm



5. Unspecified tolerances to be \pm 0.5mm
6. The COF area is weak & sensitive, so please don't press the COF area

Product Specification

6. Reliability

Environment test condition

| No | Test Item | Condition |
|----|---|---|
| 1 | High temperature storage test | Ta= 60°C 240h |
| 2 | Low temperature storage test | Ta= -20°C 240h |
| 3 | High temperature operation test | Ta= 50°C 50%RH 240h |
| 4 | Low temperature operation test | Ta= 0°C 240h |
| 5 | Vibration test (non-operating) | Wave form : random Vibration level : 1.0G RMS Bandwidth : 10-300Hz Duration : X,Y,Z, 10 min One time each direction |
| 6 | Shock test (non-operating) | Shock level : 100G Waveform : half sine wave, 2ms Direction : ±X, ±Y, ±Z One time each direction |
| 7 | Altitude operating storage / shipment | 0 - 10,000 feet(3048m) 0 - 40,000 feet(12,192m) |

7. International Standards

7-1. Safety

- a) UL 60950-1, Underwriters Laboratories Inc.
Information Technology Equipment - Safety - Part 1 : General Requirements.
- b) CAN/CSA C22.2 No.60950-1-07, Canadian Standards Association.
Information Technology Equipment - Safety - Part 1 : General Requirements.
- c) EN 60950-1, European Committee for Electrotechnical Standardization (CENELEC).
Information Technology Equipment - Safety - Part 1 : General Requirements.
- d) IEC 60950-1, The International Electrotechnical Commission (IEC).
Information Technology Equipment - Safety - Part 1 : General Requirements.
(Including report of IEC60825-1:2001 clause 8 and clause 9)

Notes

- 1. Laser (LED Backlight) Information

| |
|---|
| Class 1M LED Product IEC60825-1 : 2001 Embedded LED Power (Class1M) |
|---|

- 2. Caution
: LED inside.
Class 1M laser (LEDs) radiation when open.
Do not open while operating.

7-2. EMC

- a) ANSI C63.4-2003 "American National Standard for Methods of Measurement of Radio-Noise Emissions from Low-Voltage Electrical and Electronic Equipment in the Range of 9kHz to 40GHz."
American National Standards Institute (ANSI), 2003.
- b) C.I.S.P.R. Pub. 22. Limits and methods of measurement of radio interference characteristics of information technology equipment." International Special Committee on Radio Interference (C.I.S.P.R.), 2005.
- c) EN 55022 "Limits and methods of measurement of radio interference characteristics of information technology equipment." European Committee for Electro technical Standardization (CENELEC), 2006.

7-3. Environment

- a) RoHS, Directive 2002/95/EC of the European Parliament and of the council of 27 January 2003

Product Specification

8. Packing

8-1. Designation of Lot Mark

a) Lot Mark

| | | | | | | | | | | | | |
|---|---|---|---|---|---|---|---|---|---|---|---|---|
| A | B | C | D | E | F | G | H | I | J | K | L | M |
|---|---|---|---|---|---|---|---|---|---|---|---|---|

A,B,C : SIZE(INCH)
E : MONTH

D : YEAR
F ~ M : SERIAL NO.

Note

1. YEAR

| | | | | | | | | | | |
|------|------|------|------|------|------|------|------|------|------|------|
| Year | 2011 | 2012 | 2013 | 2014 | 2015 | 2016 | 2017 | 2018 | 2019 | 2020 |
| Mark | A | B | C | D | E | F | G | H | J | K |

2. MONTH

| | | | | | | | | | | | | |
|-------|-----|-----|-----|-----|-----|-----|-----|-----|-----|-----|-----|-----|
| Month | Jan | Feb | Mar | Apr | May | Jun | Jul | Aug | Sep | Oct | Nov | Dec |
| Mark | 1 | 2 | 3 | 4 | 5 | 6 | 7 | 8 | 9 | A | B | C |

b) Location of Lot Mark

Serial No. is printed on the label. The label is attached to the backside of the LCD module.
This is subject to change without prior notice.

8-2. Packing Form

a) Package quantity in one box : 8 pcs

b) Box size : 830.0mm X 348.0mm X 500.0mm

9. Precautions

Please pay attention to the following when you use this TFT LCD module.

9-1. Mounting Precautions

- (1) You must mount a module using holes (refer 23~24 page)
- (2) You should consider the mounting structure so that uneven force(ex. twisted stress) is not applied to the module.
And the case on which a module is mounted should have sufficient strength so that external force is not transmitted directly to the module.
- (3) Please attach a transparent protective plate to the surface in order to protect the polarizer.
Transparent protective plate should have sufficient strength in order to resist external force.
- (4) You should adopt radiation structure to satisfy the temperature specification.
- (5) Acetic acid type and chlorine type materials for the cover case are not describe because the former generates corrosive gas of attacking the polarizer at high temperature and the latter causes circuit break by electro-chemical reaction.
- (6) Do not touch, push or rub the exposed polarizers with glass, tweezers or anything harder than HB pencil lead. And please do not rub with dust clothes with chemical treatment.
Do not touch the surface of polarizer for bare hand or greasy cloth.(Some cosmetics are determined to the polarizer.)
- (7) When the surface becomes dusty, please wipe gently with absorbent cotton or other soft materials like chamois soaks with petroleum benzene. Normal-hexane is recommended for cleaning the adhesives used to attach front / rear polarizers. Do not use acetone, toluene and alcohol because they cause chemical damage to the polarizer.
- (8) Wipe off saliva or water drops as soon as possible. Their long time contact with polarizer causes deformations and color fading.
- (9) Do not open the case because inside circuits do not have sufficient strength.

9-2. Operating Precautions

- (1) The spike noise causes the mis-operation of circuits. It should be lower than following voltage :
 $V = \pm 200\text{mV}$ (Over and under shoot voltage)
- (2) Response time depends on the temperature.(In lower temperature, it becomes longer.)
- (3) Brightness depends on the temperature. (In Higher temperature, it becomes lower.)
And in lower temperature, response time(required time that brightness is stable after turned on) becomes longer.
- (4) Be careful for condensation at sudden temperature change. Condensation makes damage to polarizer or electrical contacted parts. And after fading condensation, smear or spot will occur.
- (5) When fixed patterns are displayed for a long time, remnant image is likely to occur.
- (6) Module has high frequency circuits. Sufficient suppression to the electromagnetic interference shall be done by system manufacturers. Grounding and shielding methods may be important to minimized the interference.
- (7) Please do not give any mechanical and/or acoustical impact to LCM. Otherwise, LCM can not be operated its full characteristics perfectly.
- (8) A screw which is fastened up the steels should be a machine screw (if not, it causes metal foreign material and deal LCM a fatal blow)
- (9) Please do not set LCD on its edge.
- (10) When LCMs are used for public display defects such as Yogure, image sticking can not be guarantee.

9-3. Electrostatic Discharge Control

Since a module is composed of electronic circuits, it is not strong to electrostatic discharge. Make certain that treatment persons are connected to ground through wrist band etc. And don't touch interface pin directly.

9-4. Precautions for Strong Light Exposure

Strong light exposure causes degradation of polarizer and color filter.

9-5. Storage

When storing modules as spares for a long time, the following precautions are necessary.

- (1) Store them in a dark place. Do not expose the module to sunlight or fluorescent light. Keep the temperature between 5°C and 35°C at normal humidity.
- (2) The polarizer surface should not come in contact with any other object.
It is recommended that they be stored in the container in which they were shipped.

9-6. Handling Precautions for Protection Film

- (1) The protection film is attached to the bezel with a small masking tape.
When the protection film is peeled off, static electricity is generated between the film and polarizer. This should be peeled off slowly and carefully by people who are electrically grounded and with well ion-blown equipment or in such a condition, etc.
- (2) When the module with protection film attached is stored for a long time, sometimes there remains a very small amount of glue still on the Bezel after the protection film is peeled off.
- (3) You can remove the glue easily. When the glue remains on the Bezel or its vestige is recognized, please wipe them off with absorbent cotton waste or other soft material like chamois soaked with normal-hexane.