

Product Specification

SPECIFICATION

For

APPROVAL

- Preliminary Specification
 Final Specification

| | |
|--------------|--------------------------|
| Title | 14.1" XGA TFT LCD |
|--------------|--------------------------|

| | |
|-------------------|---------------|
| BUYER NAME | COMPAQ |
| MODEL NAME | |

| | |
|-------------------|---------------------|
| SUPPLIER | LG LCD Inc. |
| MODEL NAME | LP141XA-B1CQ |

| SIGNATURE | DATE |
|--|------|
| | |
| | |
| | |
| Please return 1 copy for our confirmation with your signature and comments. | |

| SIGNATURE | DATE |
|--|---------------------|
| APPROVED BY S.H.Kang | |
| REVIEWED B S.C.YUN | |
| PREPARED BY Hans Kim | May 04, 1999 |
| Product Engineering Dept. LG LCD Inc. | |

This document is preliminary. All of the information in this document are subject to be changed without notice to improve the quality.

Product Specification
TABLE of CONTENTS

| NO. | ITEM | Page |
|-----|------------------------------|-------|
| - | COVER | 1/19 |
| - | TABLE of CONTENTS | 2/19 |
| - | RECORD of REVISION | 3/19 |
| 1. | GENERAL DESCRIPTION | 4/19 |
| 2. | MAXIMUM RATINGS | 5/19 |
| 3. | ELECTRICAL SPECIFICATIONS | 5/19 |
| 4. | OPTICAL SPECIFICATIONS | 6/19 |
| 5. | INTERFACE CONNECTIONS | 7/19 |
| 6. | SIGNAL TIMING SPECIFICATIONS | 9/19 |
| 7. | SIGNAL TIMING WAVE FORMS | 10/19 |
| 8. | COLOR INPUT DATA REFERENCE | 12/19 |
| 9. | POWER SEQUENCE | 13/19 |
| 10. | MECHANICAL CHARACTERISTICS | 14/19 |
| 11. | HANDLING PRECAUTIONS | 16/19 |
| - | APPENDIX | 18/19 |
| | | |
| | | |
| | | |
| | | |
| | | |

Product Specification

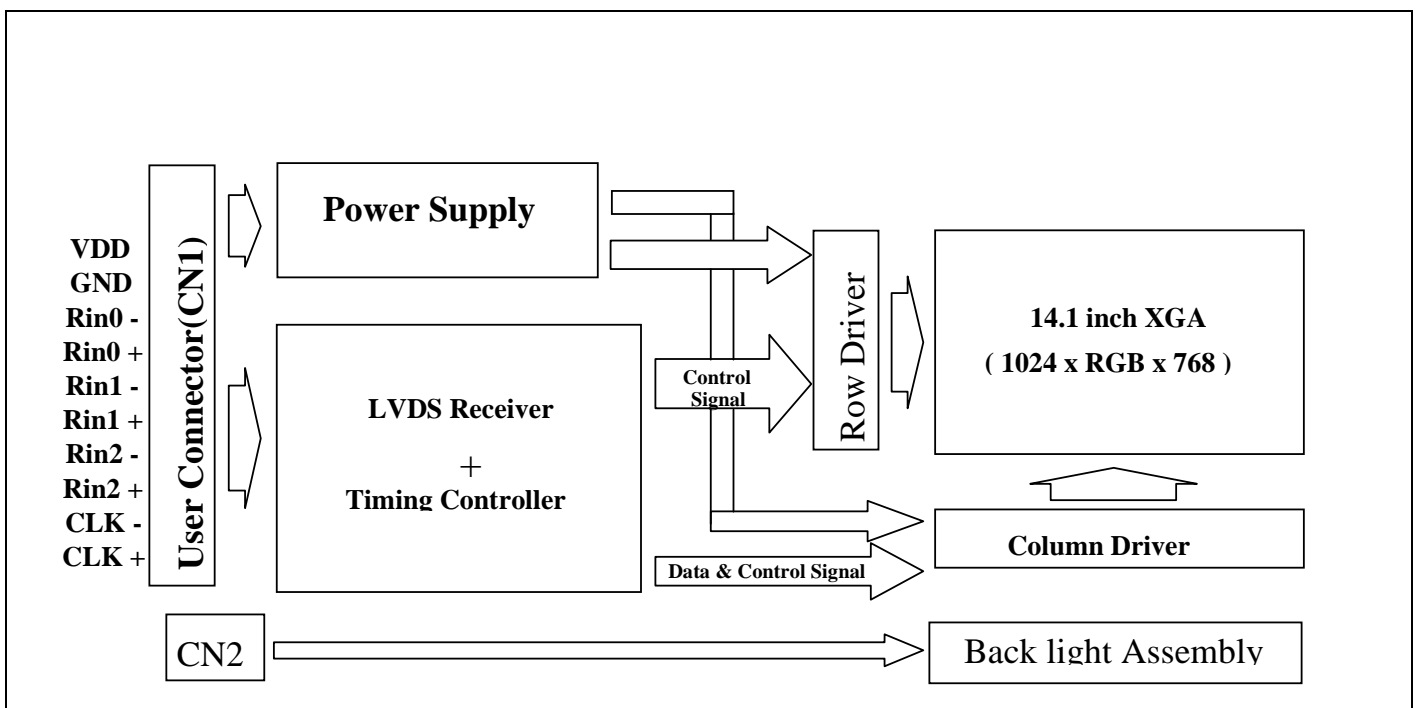
Record of Revision

| DATE AND VERSION | DESCRIPTION |
|---------------------------|-----------------|
| 04 / May / 1999 & Ver 1.0 | Initial Release |
| | |

Product Specification
1. General Description

The LG LCD model LP141XA-B1CQ LCD is a Color Active Matrix Liquid Crystal Display with an integral Cold Cathode Fluorescent Tube(CCFT) back light system. The matrix employs a - Si Thin Film Transistor as the active element. It is a transmissive type display operating in the normally white mode. This TFT-LCD has a 14.1 inch diagonally measured active display area with XGA resolution(768 vertical by 1024 horizontal pixel array). Each pixel is divided into Red, Green and Blue sub-pixels or dots which are arranged in vertical stripes. Gray scale or the brightness of the sub-pixel color is determined with a 6-bit gray scale signal for each dot, thus, presenting a pallet of more than 262,144 colors.

The LP141XA-B1CQ LCD is intended to support applications where low power consumption, weight and thickness are critical factors and graphic displays are important. In combination with the vertical arrangement of the sub-pixels, the LP141XA-B1CQ characteristics provide an excellent flat panel display for office automation products such as portable computers.


General Display Characteristics

The following are general feature of the model LP141XA-B1CQ LCD;

| | |
|------------------------|---|
| Active display area | 14.1 inch diagonal |
| Outsize dimensions | 298.5 W x 227.5 H x 5.8 D mm Typ. |
| Pixel pitch | 0.279 mm x 0.279 mm |
| Pixel format | 1024 horiz. By 768 vert. pixels |
| Color depth | RGB stripe arrangement |
| Display operating mode | 6-bit |
| Surface treatment | transmissive mode, normally white |
| | hard coating(3H), |
| | anti-glare treatment of the front polarizer |

| |
|------------------------------|
| Product Specification |
|------------------------------|

2. Maximum Ratings

The following are maximum values which, if exceeded, may cause faulty operation or damage to the unit.

Table 1 ABSOLUTE MAXIMUM RATINGS

| Parameter | symbol | Values | | Units | Notes |
|-----------------------|------------------|--------|----------------------|-------|---------|
| | | Min. | Max. | | |
| Power Input Voltage | V _{DD} | 0 | 4.0 | Vdc | at 25°C |
| Logic Input Voltage | V _{L/H} | -0.3 | V _{DD} +0.3 | Vdc | at 25°C |
| Operating Temperature | T _{OP} | 0 | +50 | °C | 1 |
| Storage Temperature | T _{ST} | -20 | +60 | °C | 1 |

Note: 1. The Relative Humidity must not exceed **80%** non-condensing at temperatures of 40°C or less.
 At temperatures greater than 40°C, the wet bulb temperature must not exceed 39°C.
 At low temperature the brightness of CCFL drop and the life time of CCFL become to be short.

2. Under no condition should the unit be exposed to corrosive chemicals.

3. Electrical Specifications

The LP141XA-B1CQ requires two power inputs. One is employed to power the LCD electronics and to derive the voltages to drive the TFT array and liquid crystal. The second input which powers the backlight CCFT, is typically generated by an inverter. The inverter is an external unit to the LCD.

Table 2 ELECTRICAL CHARACTERISTICS:

| Parameter | Symbol | Values | | | Units | Notes |
|---|-----------------|--------|------|------|------------------|-------------------------|
| | | Min. | Typ. | Max. | | |
| MODULE: | | | | | | |
| Power Supply Input Voltage | V _{DD} | 3.0 | 3.3 | 3.6 | Vdc | |
| Power Supply Input Current | I _{DD} | - | 375 | 510 | mA | 1,2 |
| Ripple/Noise | - | - | 60 | 100 | mV | |
| Differential input voltage - High for receiver threshold | V _{IH} | - | - | 100 | mV | 3 |
| | V _{IL} | -100 | - | - | mV | |
| BACKLIGHT | | | | | | |
| Backlight Input voltage | V _{BL} | 850 | 725 | 680 | V _{RMS} | 4 |
| Backlight Current Established starting Voltage | I _{BL} | 3.0 | 5.0 | 6.0 | mA | 25±2°C, 5 0°C |
| | | | | 1170 | V _{RMS} | |
| | | | | 1450 | V _{RMS} | |
| Operating Frequency | F _{BL} | 40 | 60 | 80 | KHz | |
| CCFL Life Time | | 10,000 | | | Hours | @ I _{BL} = 6mA |

Notes 1. The current draw and power consumption specified is for 3.3 Vdc at 25°C.

2. Typical value is measured when displaying black screen.

Maximum power situation measured with alternating vertical lines by 2 black_white pattern.

For more information see Appendix A-1.

3. LVDS common mode voltage, VCM=1.2V

4. The backlight power consumption shown above does not include loss of external inverter.

5. The voltage of inverter is more than the established starting voltage.

| |
|------------------------------|
| Product Specification |
|------------------------------|

4. Optical Specifications

Optical characteristics are determined after the unit has been 'ON' and stable for approximately 30 minutes in a dark environment at 25°C. The values specified are at an approximate distance 50cm from the LCD surface at a viewing angle of Φ and θ equal to 0°.

Appendix A presents additional information concerning the specified characteristics.

Table 3 OPTICAL CHARACTERISTICS

| Parameter | | Symbol | Values | | | Units | Notes |
|--------------------------|-------------------------------------|------------------|--------|-------|-------|-------------------|-------|
| | | | Min. | Typ. | Max. | | |
| Contrast Ratio | | CR | 150 | 250 | - | - | 1 |
| White Surface Brightness | IBL=6.0mA | SB _{WH} | 100 | 120 | - | cd/m ² | 2 |
| Brightness Variation | | SB _V | - | - | 1.80 | | 3 |
| Response Time | Rise Time | Tr _R | - | 20 | 40 | msec | |
| | Decay Time | Tr _D | - | 30 | 50 | msec | |
| Color Coordinates | RED | x | 0.548 | 0.578 | 0.608 | - | 6 |
| | | y | 0.317 | 0.347 | 0.377 | - | 6 |
| | GREEN | x | 0.278 | 0.308 | 0.338 | - | 6 |
| | | y | 0.507 | 0.537 | 0.567 | - | 6 |
| | BLUE | x | 0.121 | 0.151 | 0.181 | - | 6 |
| | | y | 0.101 | 0.131 | 0.161 | - | 6 |
| | WHITE | x | 0.281 | 0.311 | 0.341 | - | 6 |
| | | y | 0.311 | 0.341 | 0.371 | - | 6 |
| Viewing Angle (CR>10:1) | x axis, right ($\Phi = 0^\circ$) | θ | 45 | | | degree | 5 |
| | x axis, left ($\Phi = 180^\circ$) | θ | 45 | | | degree | 5 |
| | y axis, up ($\Phi = 90^\circ$) | θ | 10 | | | degree | 5 |
| | y axis, down ($\Phi = 270^\circ$) | θ | 30 | | | degree | 5 |

Notes 1. Contrast Ratio (CR) is defined mathematically as:

$$\frac{\text{(Surface Brightness with all white pixels)}}{\text{(Surface Brightness with all black pixels)}}$$

- Surface brightness is 5 spot average of measurement across the LCD surface 50cm from the surface with all pixels displaying white. For more information see Appendix A-2.
- The variation in surface brightness, SB_V is determined by measuring B_{ON} at each test position 1 through 13, and then dividing the maximum B_{ON} by the minimum B_{ON}. For more information see Appendix A-3.

$$\frac{\text{Maximum (B}_{ON1}, \text{B}_{ON2}, \dots, \text{B}_{ON13})}}{\text{Minimum (B}_{ON1}, \text{B}_{ON2}, \dots, \text{B}_{ON13})}}$$

- Response time is the time required for the display to transition from white to black (Rise Time, Tr_R) and from black to white (Decay Time, Tr_D). For additional information see Appendix A-4.
- Viewing angle is the angle at which the contrast ratio is greater than 10. The angles are determined for the horizontal or x axis and the vertical or y axis with respect to the z axis which is normal to the LCD surface. For more information see Appendix A-5.
- Color Coordinates can be changed according to color filter. (In case of changing color filter, we will tell our customer.)

Product Specification

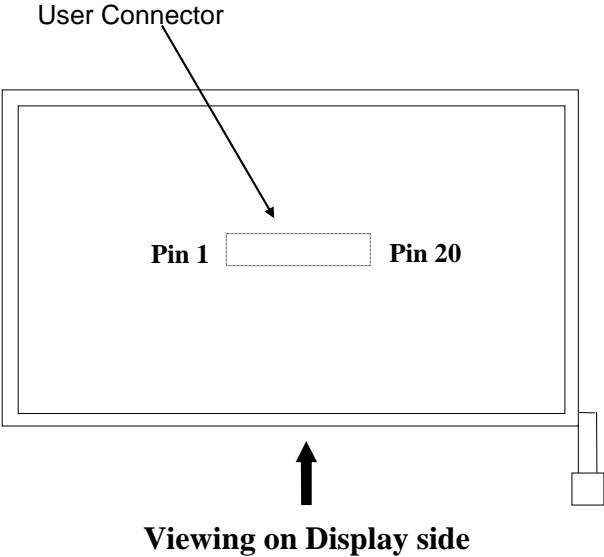
5. Interface Connections

This LCD employs two interface connections, a 20 pin connector is used for the module electronics and a two pin connector is used for the integral backlight system.

The electronics interface connector is a model FI-SEB-20P-HF or equivalent.

The pin configuration for the connector is shown in the table below.

Table 4 MODULE CONNECTOR PIN CONFIGURATION

| Pin | Symbol | Description | Notes |
|-----|--------|---------------------|---|
| 1 | VDD | Power supply, 3.3V |  |
| 2 | VDD | Power supply, 3.3V | |
| 3 | GND | Ground | |
| 4 | GND | Ground | |
| 5 | Rin0 - | Receiver signal (-) | |
| 6 | Rin0 + | Receiver signal (+) | |
| 7 | GND | Ground | |
| 8 | Rin1 - | Receiver signal (-) | |
| 9 | Rin1 + | Receiver signal (+) | |
| 10 | GND | Ground | |
| 11 | Rin2 - | Receiver signal (-) | |
| 12 | Rin2 + | Receiver signal (+) | |
| 13 | GND | Ground | |
| 14 | CLK - | Clock signal (-) | |
| 15 | CLK + | Clock signal (+) | |
| 16 | GND | Ground | |
| 17 | NC | Reserved | |
| 18 | NC | Reserved | |
| 19 | GND | Ground | |
| 20 | GND | Ground | |

- Notes:
1. All GND(ground) pins should be connected together and to GND which should also be connected to the LCD's metal frame.
 2. All V_{DD}(power input) pins should be connected together.

Product Specification

Interface Connections (cont'd)

The backlight interface connector is a model BHSR-02VS-1, manufactured by JST. The mating connector part number is SM02B-BHSS-1-TB or equivalent. The pin configuration for the connector is shown in the table below.

Table 5 BACKLIGHT CONNECTOR PIN CONFIGURATION

| Pin | Symbol | Description | Notes |
|-----|--------|------------------|-------|
| 1 | HV | Lamp power input | 1 |
| 2 | LV | Ground | 2 |

- Notes: 1. The input power terminal is white
2. The ground terminal is black.

| |
|------------------------------|
| Product Specification |
|------------------------------|

6. Signal Timing Specification

6.1. Interface Signal Timing

This is the characteristics of the interface timing parameters. LVDS input timing and LCD interface timing diagrams are shown in 7.1 and 7.2

LP141XA-B1CQ with LVDS transmitter recommend to connect to the Display Enable, Horizontal sync, Vertical sync, Clock signal from Video signal controller to input of Transmitter simultaneously.

| ITEM | SIGNAL | ITEM | SYMBOL | MIN. | TYP. | MAX. | UNIT |
|--|--------------------------|-----------------------------|-------------|------|------|------|-------------|
| LVDS Timing (Note 1) | Clock | Frequency | f_{CLKIN} | - | 65 | 66.6 | MHz |
| | | Period | t_{CLKIN} | 15 | 15.4 | - | ns |
| | LVDS Low to High time | Transition time | LLHT | - | 0.75 | 1.5 | ns |
| | LVDS High to Low time | Transition time | LHLT | - | 0.75 | 1.5 | ns |
| | Set up time, serial bits | Receiver Input Strobe Bit 0 | t_0 | -0.4 | 0 | 0.3 | ns |
| | | Receiver Input Strobe Bit 1 | t_1 | 1.8 | 2.2 | 2.5 | ns |
| | | Receiver Input Strobe Bit 2 | t_2 | 4.0 | 4.4 | 4.7 | ns |
| | | Receiver Input Strobe Bit 3 | t_3 | 6.2 | 6.6 | 6.9 | ns |
| | | Receiver Input Strobe Bit 4 | t_4 | 8.4 | 8.8 | 9.1 | ns |
| | | Receiver Input Strobe Bit 5 | t_5 | 10.6 | 11 | 11.3 | ns |
| Receiver Input Strobe Bit 6 | | t_6 | 12.8 | 13.2 | 13.5 | ns | |
| LVDS Transmitter Input (note 2-4) | DENA | Low width | t_{WDL} | 100 | - | - | t_{CLKIN} |
| | | Horizontal Front Porch | t_{HFP} | 0 | - | - | t_{CLKIN} |
| | | Horizontal Back Porch | t_{HBP} | 5 | - | - | t_{CLKIN} |
| | | Vertical Front Porch | t_{VFP} | 0 | - | - | t_H |
| | | Vertical Back Porch | t_{VBP} | 4 | - | - | t_H |
| | HD | Frequency | f_H | | 48.5 | 55.9 | Hz |
| | | Period | t_H | 1100 | 1340 | - | t_{CLKIN} |
| | | Low width | t_{WHL} | 1 | - | - | t_{CLKIN} |
| | VD | Frequency | f_V | | | 62 | Hz |
| | | Period | t_V | 772 | 809 | - | t_H |
| | | Low width | t_{WVL} | 0.5 | - | - | t_H |

Note : 1. Measurement is made at panel side flex connector with dummy 100 ohm termination.

2. Polarities of HD and VD are negative.

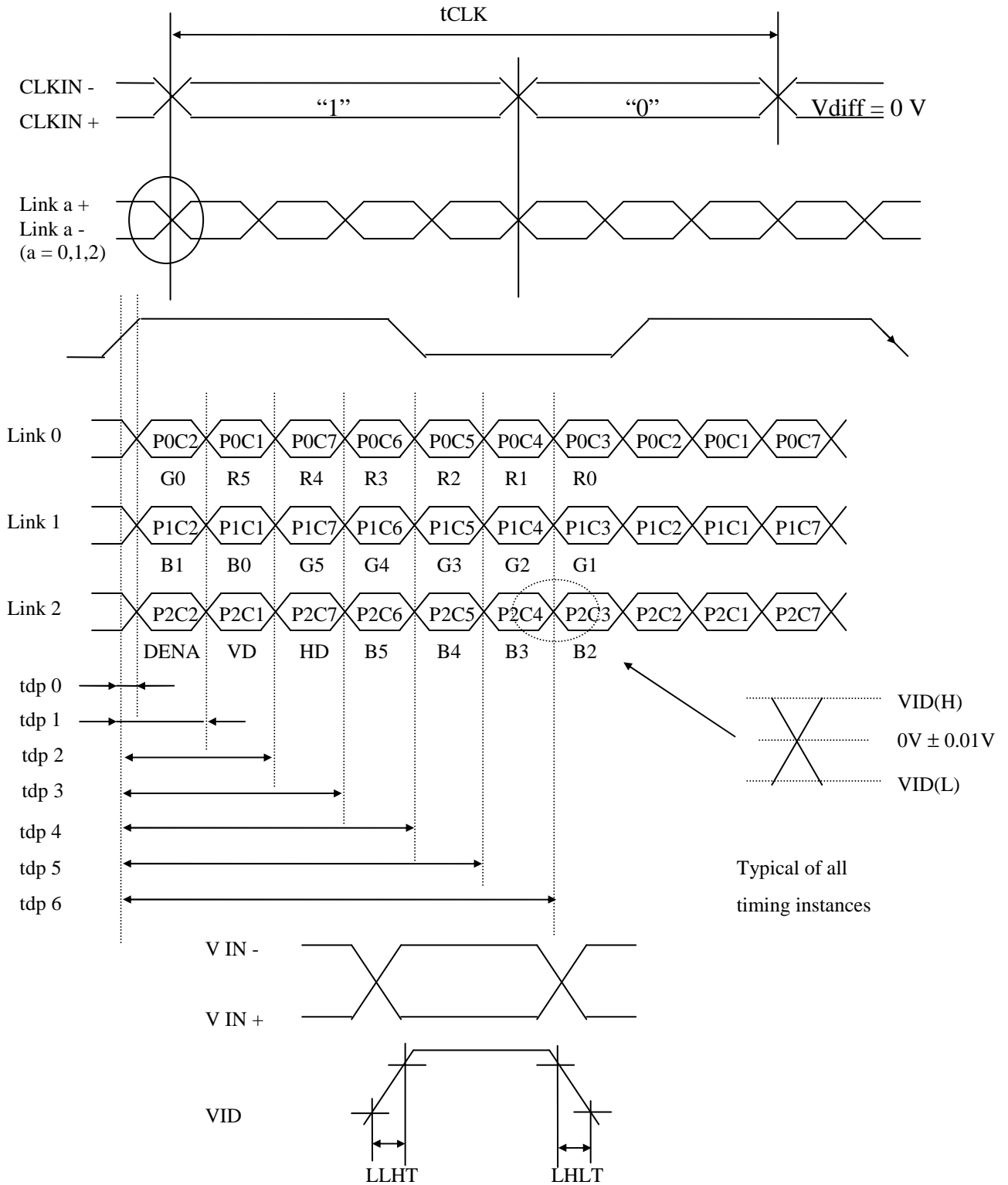
3. DENA should always be positive polarity.

4. CLKIN should appear during all invalid period. HD should appear during invalid period of the frame cycle.

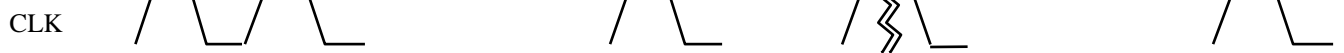
Product Specification

7. Signal Timing Wave Forms

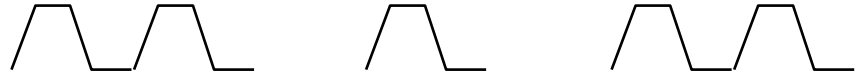
7.1. LVDS Timing



7.2 LCD Interface Timing

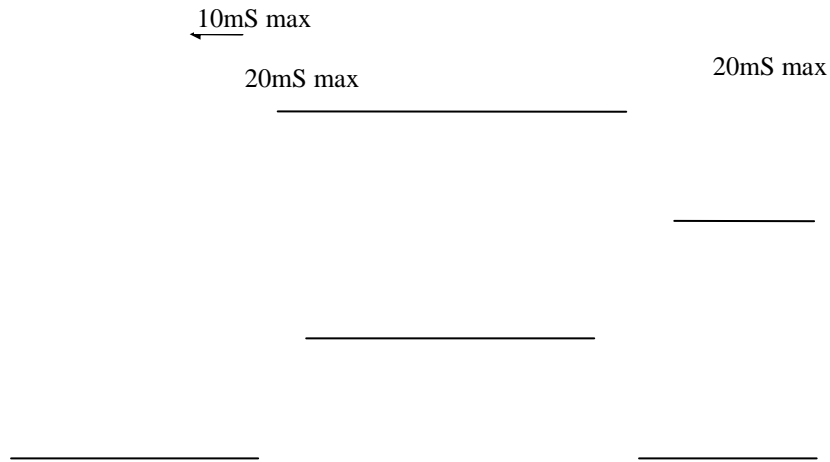


Product Specification



8. Color Input Data Reference

Product Specification



- Notes :
1. Please avoid floating state of interface signal at invalid period.
 2. When the interface signal is invalid, be sure to pull down the power supply for LCD V_{DD} to 0V.

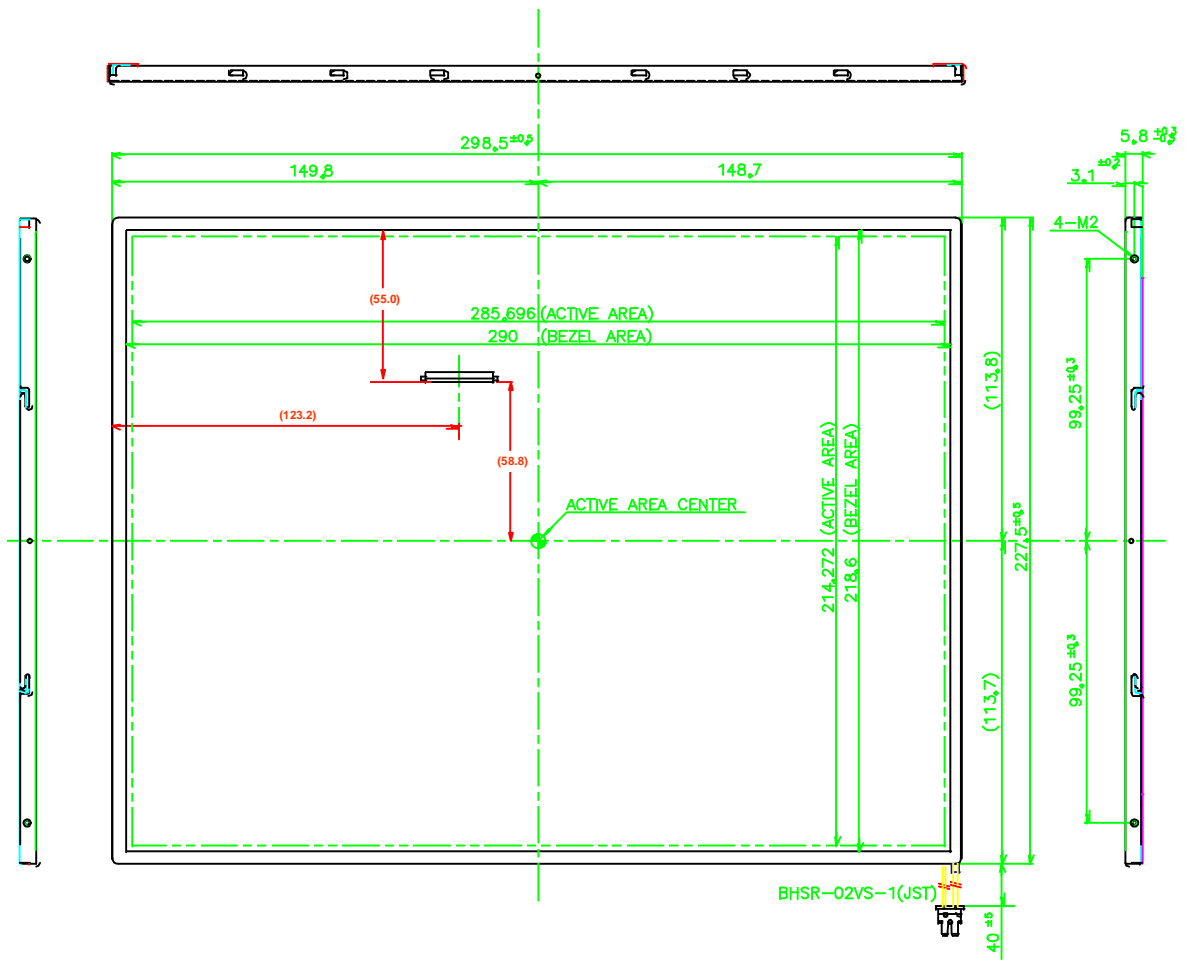
10. Mechanical Characteristics

The chart below provides general mechanical characteristics for the model LP141XA-B1CQ LCD. The surface of the LCD has an anti-glare coating to minimize reflection and a 3H hard coating to reduce scratching. In addition, the figure below is a detailed mechanical drawing of the LCD. Note that dimension

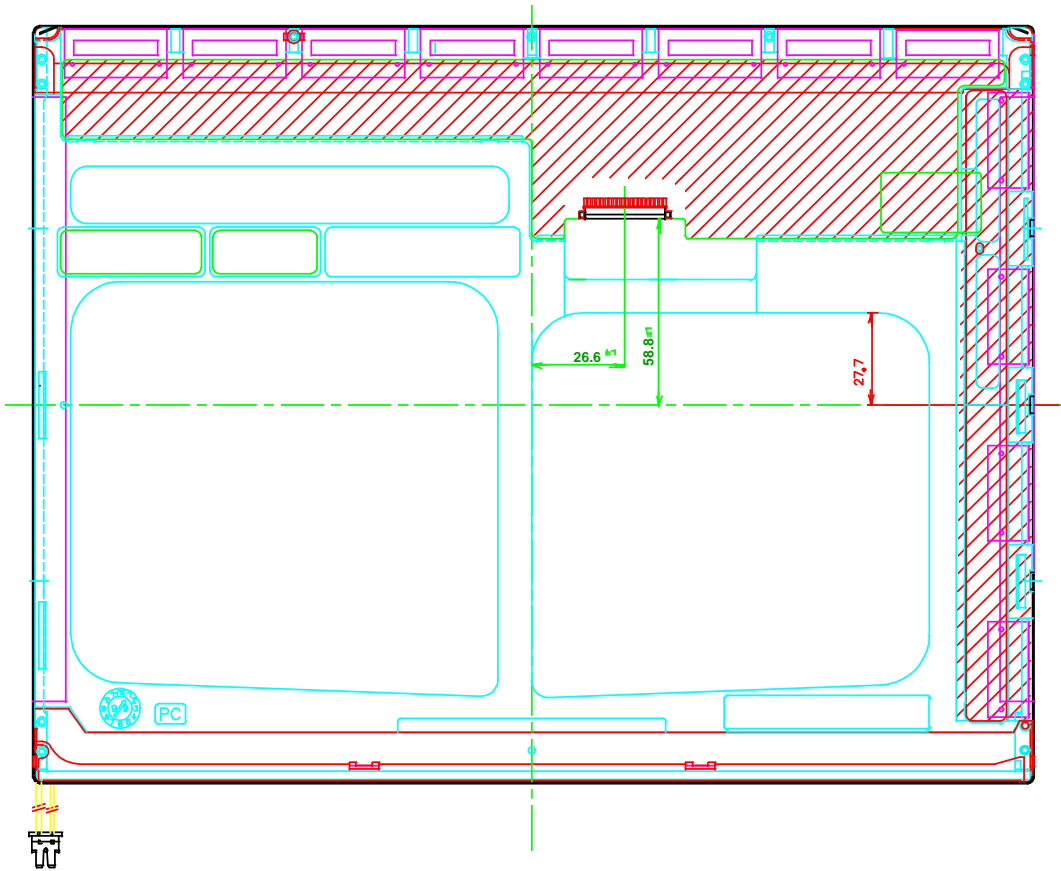
Product Specification

are given for reference purposes only.

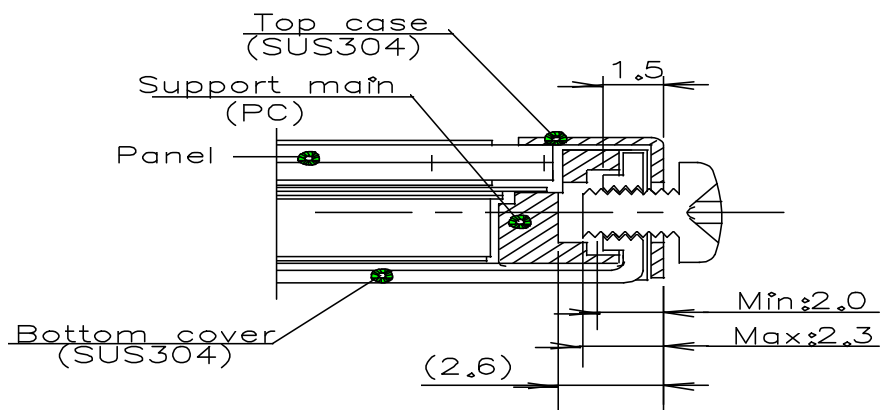
| | | |
|---------------------|-----------|-------------------|
| Outside dimensions | Width | 298.5 mm typ. |
| | Height | 227.5 mm typ. |
| | Thickness | 5.8 mm typ. |
| Active Display area | Width | 285.7 mm |
| | Height | 214.3 mm |
| | Diagonal | 14.1 inch |
| Weight | | 590 g max. |



Product Specification



Structure of joint



* Mounting Screw depth : 2.0[mm] Min. 2.3[mm] Max.
* Torque : 1.3 ~ 1.5 [kgf · cm]

Product Specification**11. Handling Precautions**

Please pay attention to the followings when you use this TFT/LCD module with Back-light unit.

11.1.MOUNTING PRECAUTION

- 1) You must mount Module using mounting holes arranged on metal frame sides. Be sure to turn off the power when connecting or disconnecting the circuit.
- 2) Note that the polarizers are easily damaged. Pay attention not to scratch or press this surface with any hard object.
- 3) When the LCD surface become dirty, please wipe it off with a soft material. (ie.cotton ball)
- 4) Protect the module from the ESD as it may damage the electronic circuit (C-MOS). Make certain that treatment person's body are grounded thru wrist bend.
- 5) Do not disassemble the module and be careful not to incur a mechanical shock that might occur during installation. It may cause permanent damage.
- 6) Do not leave the module in high temperatures, Particularly in areas of high humidity for a long time.
- 7) The module not be expose to the direct sunlight.
- 8) Avoid contact with water as it may a short circuit within the module.

11.2 OPERATING PRECAUTION

- 1) The spike noise causes the mis-operation of circuits. Be lower the spike noise as follows :
 $VDD = \pm 200mV$, $V1 = \pm 200mV$ (Over and under shoot voltage.)
- 2) Response time depends on the temperature. (In lower temperature, it becomes longer.)
- 3) Brightness depends on the temperature. (In lower temperature, it becomes lower.) And in lower temperature, response time (Required time that brightness is stable after turn on)becomes longer.
- 4) Be careful for condensation at suddern temperature change. Condensation make damage to polarizer or electrical contact part. And after fading condensation, smear or spot will occur.
- 5) When fixed pattern are displayed at long times, remnant image is likely to occur.
- 6) Module has high frequency circuit. If you need to shield the electromagnetic noise. Please do in yours.
- 7) When Back-light unit is operating, it sounds. If you need to shield the noise, please do in yours.

11.3 ELECTROSTATIC DISCHARGE CONTROL

Since module is composed with electronic circuit, it is not strong to electrostatic discharge.

Make certain that treatment persons are connected to ground through list band etc.. And don't touch I/F pin directly.

11.4 PRECAUTION FOR STRONG LIGHT EXPOSURE.

Strong light exposure causes degradation of polarizer and color filter.

11.5 STORAGE

When storing module as spares for long time, the following precautions are necessary.

- 1) Store them in a dark place : do not expose then to sunlight or fluorescent light. Keep the temperature between 5 and 35 at normal humidity.
- 2) The polarizer surface should not come in contact with any other object. It is recommended that

Product Specification

they be stored in the container in which they were shipped.

11.6 HANDLING PRECAUTIONS FOR PROTECTION FILM

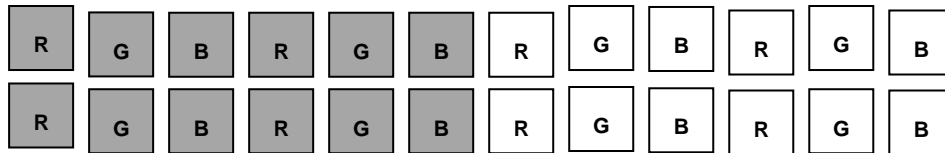
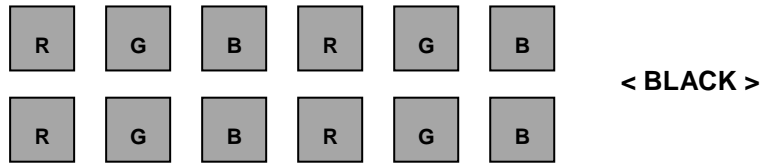
- 1) When the protection film is peeled off, static electricity is generated between the film and the polarizer. This film should be peeled off slowly and carefully by people who are electrically grounded and with well ion-blown equipment or in such a condition. etc.
- 2) The protection film is attached the polarizer with a small amount of glue. If some stress is applied to rub the protection film against the polarizer during the time you peel off the film, the glue is apt to remain more on the polarizer. So please carefully peel off the protection film without rubbing it against the polarizer.
- 3) When the module with protection film attached is stored for long time, sometimes there remains a very small amount of glue still on the polarizer after the protection film is peeled off. Please refrain from storing the module at the high temperature and high humidity for glue is apt to remain in these condition.
- 4) The glue may be taken for the modules failure, but you can remove the glue easily. When the glue remains on the polarizer surface or its vestige is recognized, please wipe them off with absorbent cotton waste or other soft material like chamois soaked with Normal-hexane.

11.7 SAFETY

- 1) If module is broken, be careful to handle not to injure. (TFT/LCD and lamp are made of glass)
Please wash hands sufficiently when you touch the liquid crystal coming out from broken LCDs.
- 2) As Back-light unit has high voltage circuit internal, do not open the case and do not insert foreign materials in the case.

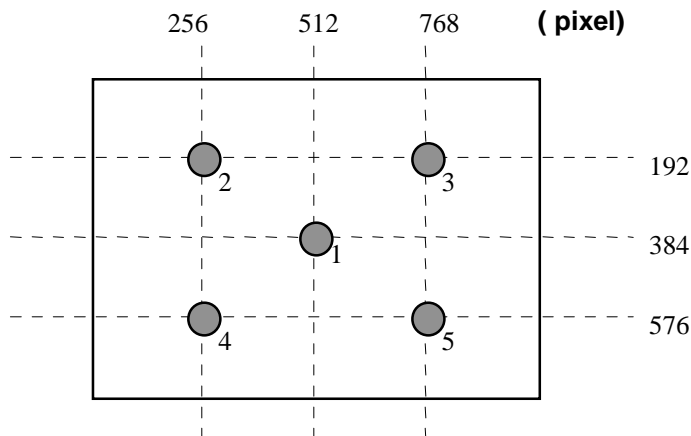
Product Specification

A-1 BLACK Pattern & Alternating Vertical Lines by 2 Black_White Pattern



< Vertical Lines by 2 >

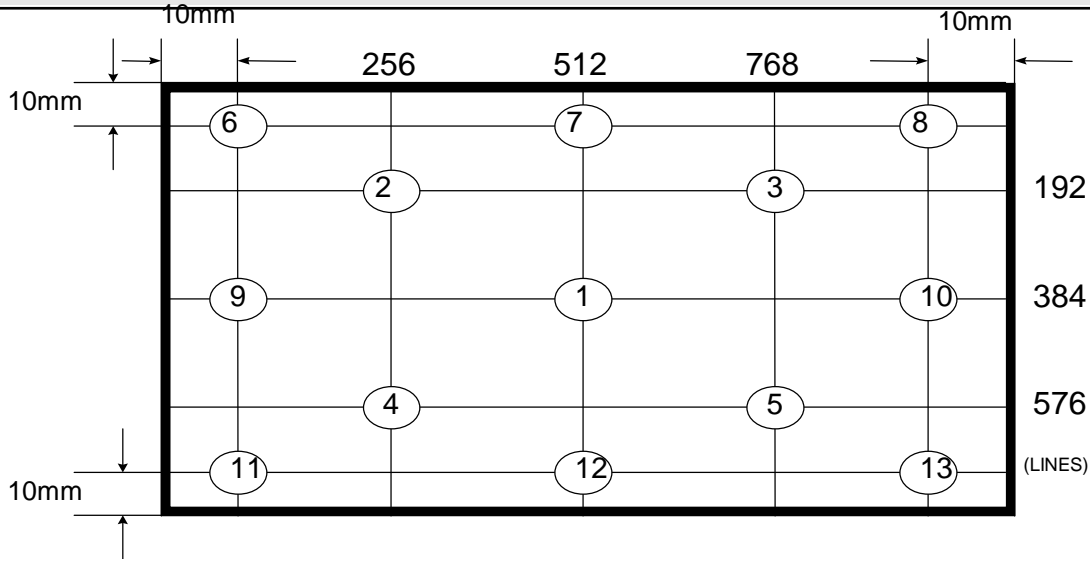
A-2 BRIGHTNESS



< Measuring Point >

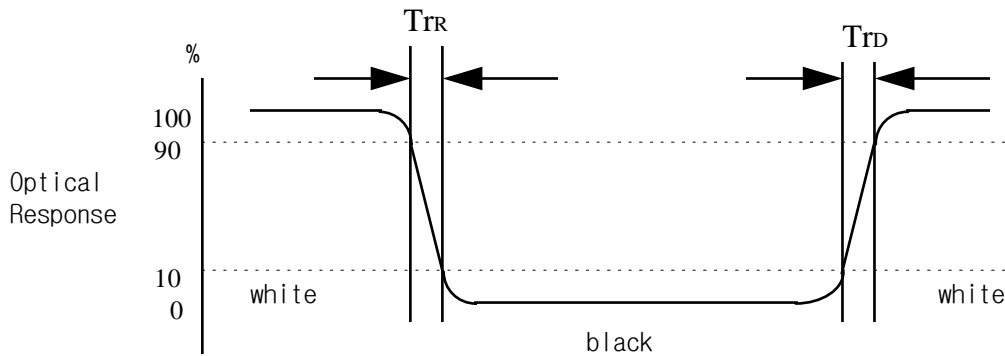
A-3. 13 SPOT LUMINANCE VARIATION MEASUREMENT LOCATIONS

Product Specification



A-4 RESPONSE TIME

The response time is defined as the following figure and shall be measured by switching the input signal for "black" and "white".



A-5 VIEWING ANGLE

<Definition of viewing angle range>

