

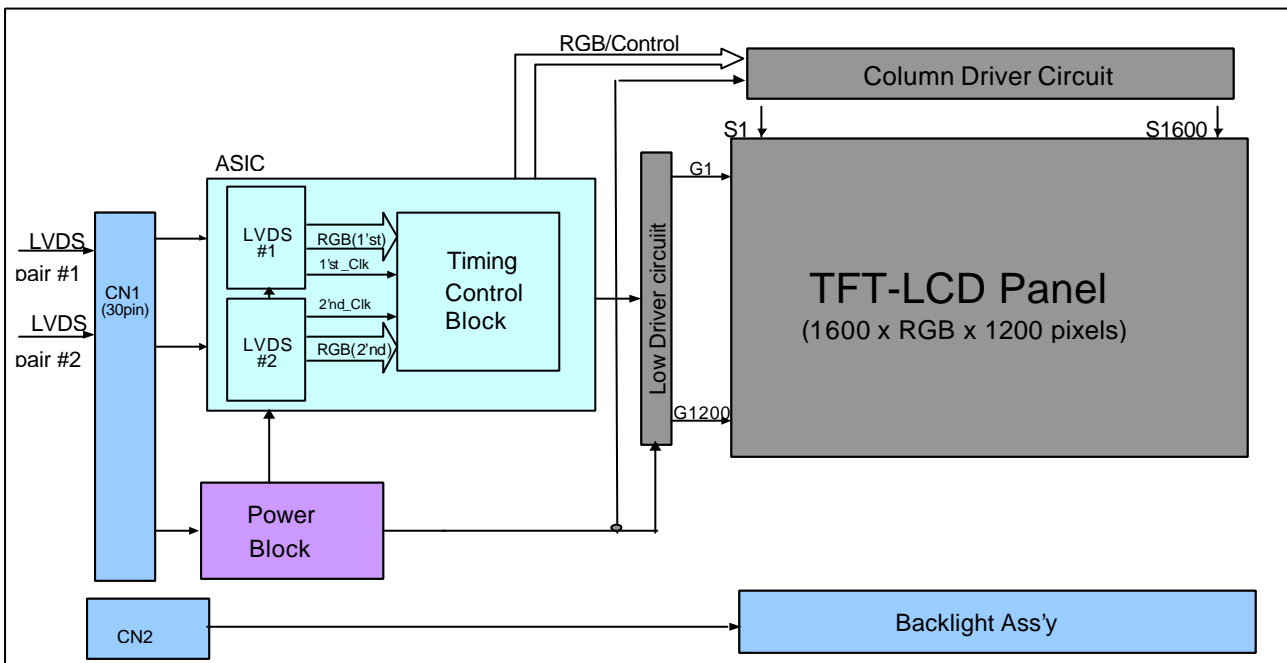
Product Specification

1. General Description

The LP150U1-A2 is a Color Active Matrix Liquid Crystal Display with an integral Cold Cathode Fluorescent Lamp(CCFL) back light system. The matrix employs a-Si Thin Film Transistor as the active element. It is a transmissive type display operating in the normally white mode. This TFT-LCD has a 15.0 inch diagonally measured active display area with UXGA resolution(1200 vertical by 1600 horizontal pixel array). Each pixel is divided into Red, Green and Blue sub-pixels or dots which are arranged in vertical stripes. Gray scale or the brightness of the sub-pixel color is determined with a 6-bit gray scale signal for each dot, thus, presenting a palette of 262,144 colors.

The LP150U1-A2 has been designed to apply the interface method that enables low power, high speed low EMI. Flat Link must be used as a LVDS(Low Voltage Differential Signaling) chip.

The LP150U1-A2 is intended to support applications where thin thickness, low power are critical factors and graphic displays are important. In combination with the vertical arrangement of the sub-pixels, the LP150U1-A2 characteristics provide an excellent flat panel display for office automation products such as Notebook PC.



General Features

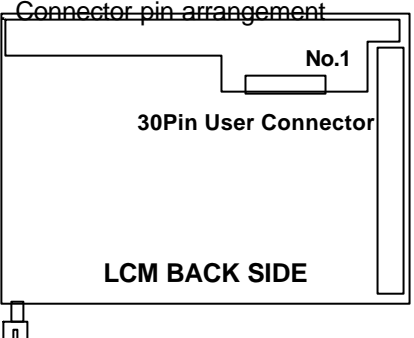
Active screen size	15.0 inches(38.1cm) diagonal
Outline dimensions	318.5(H) X 241.5(V) X 7.0(D) mm (typ)
Pixel pitch	0.1905 mm X 0.1905 mm
Pixel format	1600 horiz. By 1200 vert. Pixels, RGB stripe arrangement
Color depth	6-bit, 262,144 colors
Luminance, White	150 cd/m ² (typ)
Power Consumption	Total 7.0 Watt(typ)
Weight	670g (typ)
Display operating mode	transmissive mode, normally white
Surface treatments	hard coating(3H), anti-glare treatment of the front polarizer

Product Specification

2-2. Interface Connections

Interface IC must be LVDS compatible, part No. THC63LVDF83A made by Thine, or use the compatible interface ICs made by either TI or NS. This LCD employs two interface connections, a 30-pin connector is used for the module electronics and the other connector is used for the integral backlight system. The electronics interface connector is a model FI-XB30S-HF10 manufactured by JAE. The pin configuration for the connector is shown in the table below.

Table 2 MODULE CONNECTOR PIN CONFIGURATION (LVDS) [CN1]

Pin	Symbol	Description	Notes
1	GND	Ground	1. Definition about LVDS signals 1.1 LVDS input terminal pin assignment 0(Even), 1(Odd), 2(Even) ----- ----, 1598(Even), 1599(Odd) 1.2 The Even LVDS signal must include the timing signal(Hsync., Vsync., DE) (Pin no. 14 and 15) 2. Connector 2.1 LCD : FI-XB30S-HF10 (JAE) 2.2 System : FI-X30M 3. Connector pin arrangement 
2	Vcc	Supply Voltage(+3.3V)	
3	Vcc	Supply Voltage(+3.3V)	
4	NC	(No Connection)	
5	NC	(No Connection)	
6	NC	(No Connection)	
7	NC	(No Connection)	
8	RAMP1	Minus Signal of Even Channel 0	
9	RAPP1	Plus Signal of Even Channel 0	
10	GND	Ground	
11	RBMP1	Minus Signal of Even Channel 1	
12	PBPP1	Plus Signal of Even Channel 1	
13	GND	Ground	
14	RCMP1	Minus Signal of Even Channel 2	
15	RCP1	Plus Signal of Even Channel 2	
16	GND	Ground	
17	RCLKMP1	Minus Signal of Even Clock Channel	
18	RCLKPP1	Plus Signal of Even Clock Channel	
19	GND	Ground	
20	RAMP2	Minus Signal of Odd Channel 0	
21	RAPP2	Plus Signal of Odd Channel 0	
22	GND	Ground	
23	RBMP2	Minus Signal of Odd Channel 1	
24	PBPP2	Plus Signal of Odd Channel 1	
25	GND	Ground	
26	RCMP2	Minus Signal of Odd Channel 2	
27	RCP2	Plus Signal of Odd Channel 2	
28	GND	Ground	
29	RCLKMP2	Minus Signal of Odd Clock Channel	
30	RCLKPP2	Plus Signal of Odd Clock Channel	

The backlight interface connector is a model BHSR-02VS-1, manufactured by JST. The mating connector part number is SM02B-BHSS-1 or equivalent. The pin configuration for the connector is shown in the table below.

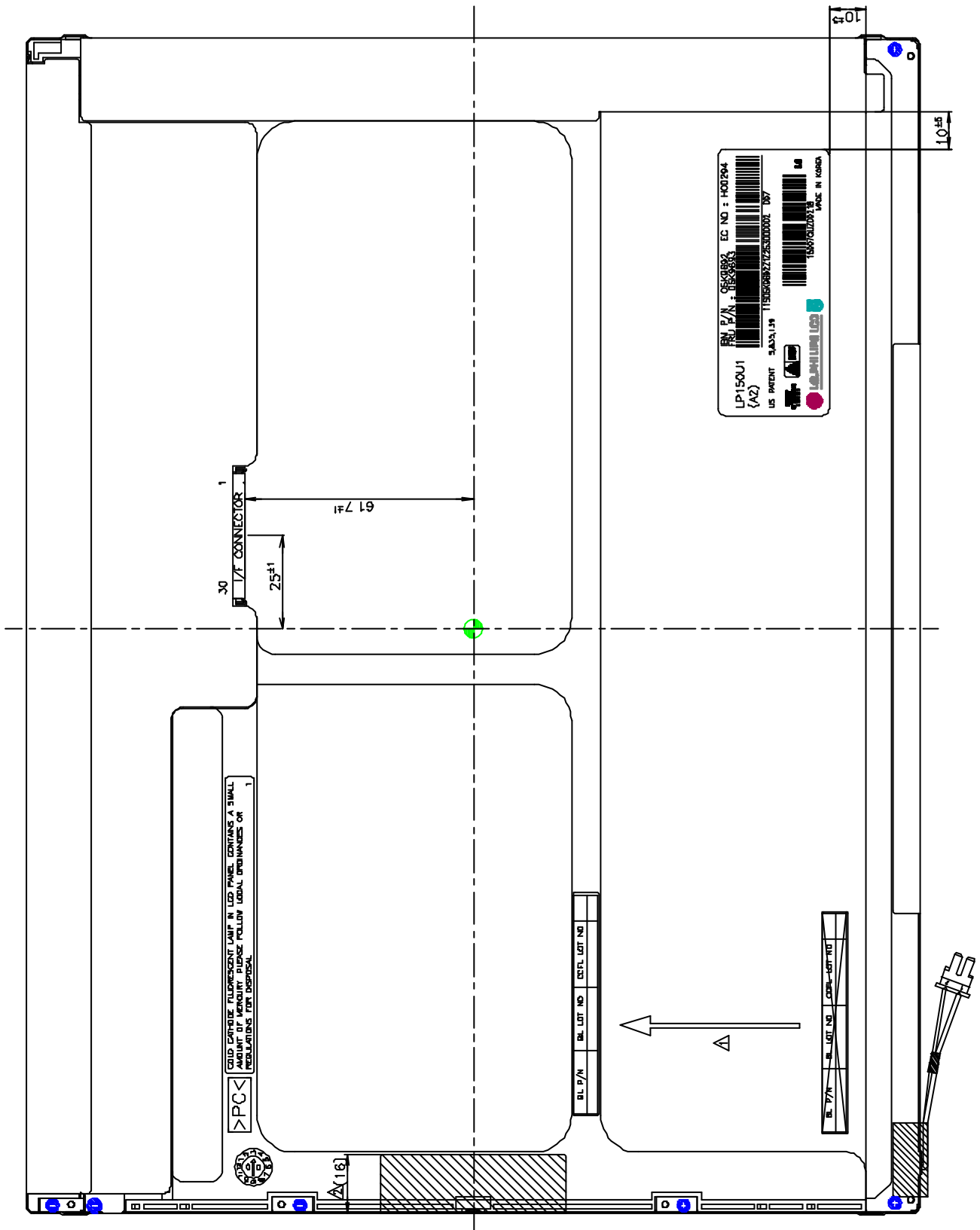
Table 3 BACKLIGHT CONNECTOR PIN CONFIGURATION [CN2]

Pin	Symbol	Description	Notes
1	HV	High voltage input	1
2	LV	Low voltage input	

Notes: 1. The high voltage input terminal is colored pink.

Product Specification

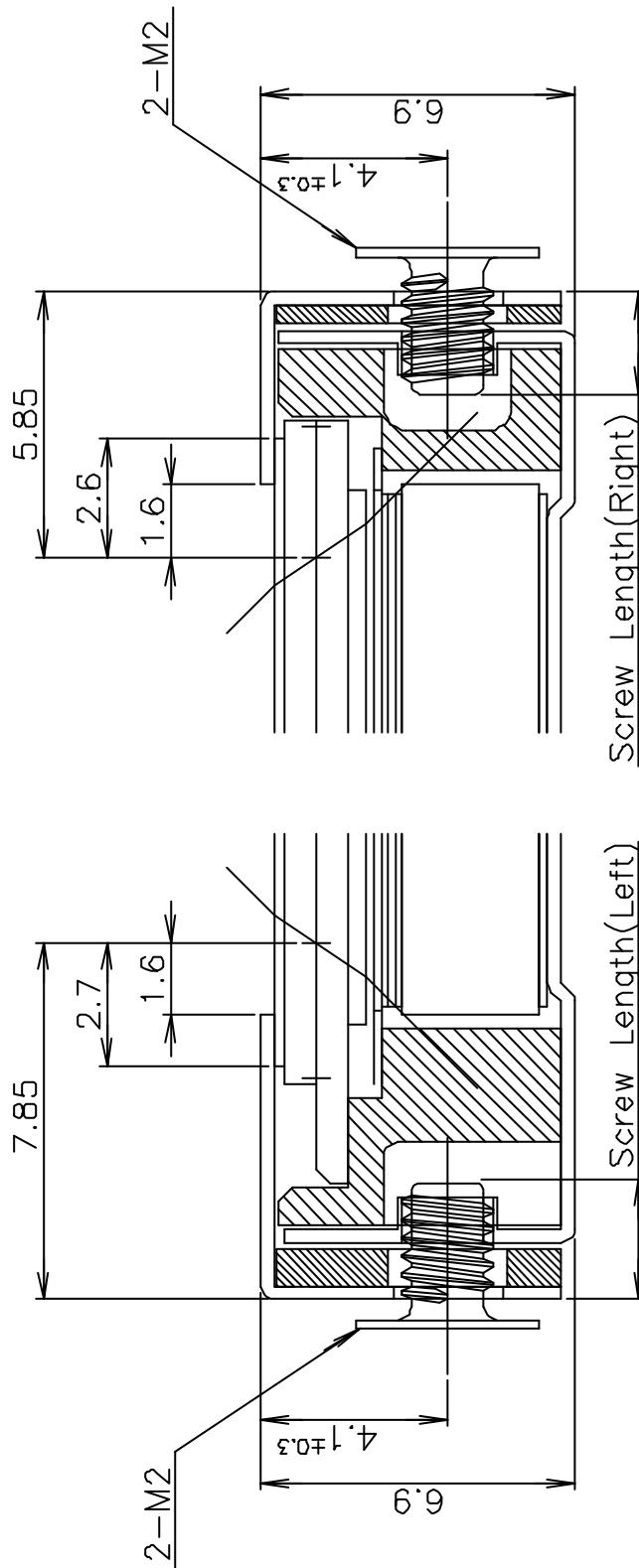
< REAR VIEW >



Product Specification

<SECTION A-A>

SEC. A-A (S=5/1)



* Screw Length : Left (Max : 3.2, Min : 2.5)

Right (Max : 2.9, Min : 2.2)

△ * Screw Torque : ~~Max 2.0kgf cm~~ Max 3.0kgf cm

Product Specification**3.PRECAUTIONS**

The LCD Products listed on this documents are not suitable for use of Military,Industry,Medical etc. system.

If customers intend to use these LCD products for above application, Please contact ours sales people in advance.