

Product Specification

SPECIFICATION FOR APPROVAL

- () Preliminary Specification
(**v**) Final Specification

Title	15.0" XGA TFT LCD
-------	-------------------

BUYER	LENOVO
MODEL	

SUPPLIER	LG.Philips LCD Co., Ltd.
*MODEL	LP150X08
Suffix	TLA8

*When you obtain standard approval,
please use the above model name without suffix

APPROVED BY	SIGNATURE
<u>H.Itoh / Manager</u>	<u><i>Hidetaka Ito</i></u>
<u>Mar/27/2006</u>	
/	_____
/	_____

APPROVED BY	SIGNATURE
<u>J. H. Lee / S.Manager</u>	_____
REVIEWED BY	
<u>G. J. Han / Manager</u>	_____
<u>K.S. Byun / Manager</u>	_____
PREPARED BY	
<u>I. Y. Jung / Engineer</u>	_____
<u>B. D. Jun / Engineer</u>	_____

Please return 1 copy for your confirmation with your signature and comments.

Products Engineering Dept.
LG. Philips LCD Co., Ltd

Product Specification

Contents

No	ITEM	Page
	COVER	1
	CONTENTS	2
	RECORD OF REVISIONS	3
1	GENERAL DESCRIPTION	4
2	ABSOLUTE MAXIMUM RATINGS	5
3	ELECTRICAL SPECIFICATIONS	6
3-1	ELECTRICAL CHARACTREISTICS	6
3-2	INTERFACE CONNECTIONS	8
3-3	SIGNAL TIMING SPECIFICATIONS	9
3-4	SIGNAL TIMING WAVEFORMS	9
3-5	COLOR INPUT DATA REFERNECE	10
3-6	POWER SEQUENCE	11
4	OPTICAL SFECIFICATIONS	12
5	MECHANICAL CHARACTERISTICS	16
6	RELIABLITY	20
7	INTERNATIONAL STANDARDS	21
7-1	SAFETY	21
7-2	EMC	21
8	PACKING	22
8-1	DESIGNATION OF LOT MARK	22
8-2	PACKING FORM	22
8-3	Label Discription	23
9	PRECAUTIONS	24
9-1	MOUNTING PRECAUTIONS	24
9-2	OPERATING PRECAUTIONS	24
9-3	ELECTROSTATIC DISCHARGE CONTROL	25
9-4	PRECAUTIONS FOR STRONG LIGHT EXPOSURE	25
9-5	STORAGE	25
9-6	HANDLING PRECAUTIONS FOR PROTECTION FILM	25
A	APPENDIX. Enhanced Extended Display Identification Data	26

Product Specification

RECORD OF REVISIONS

Revision No	Revision Date	Page	Description	EDID Ver.
0.0	Sep. 12. 2005	-	Preliminary Specification	0.0
0.1	Nov. 30. 2005	4, 12 18 22 11 6	Change Luminance Add Rear view drawing Change Packing Form Change Power Sequence : T4(200→0), T6(10→300), T7(400→100) and T5(Max) Delete Life Time(Min.) Changed. (10,000 → 12,000)	0.1
0.2	Feb. 07. 2006	12 9 17	Change the tolerance of white point Change the Frequency of DCLK & Vsync (Min.&Max Spec.) Change the CCFL Cable length	0.1
0.3	Feb. 07. 2006	23	Add Label Discription	0.1
0.4	Mar. 02. 2006	23 9 17	Add Luminance Var.(5P) Change Horizontal back porch / front porch Add CCFL exit position	0.1

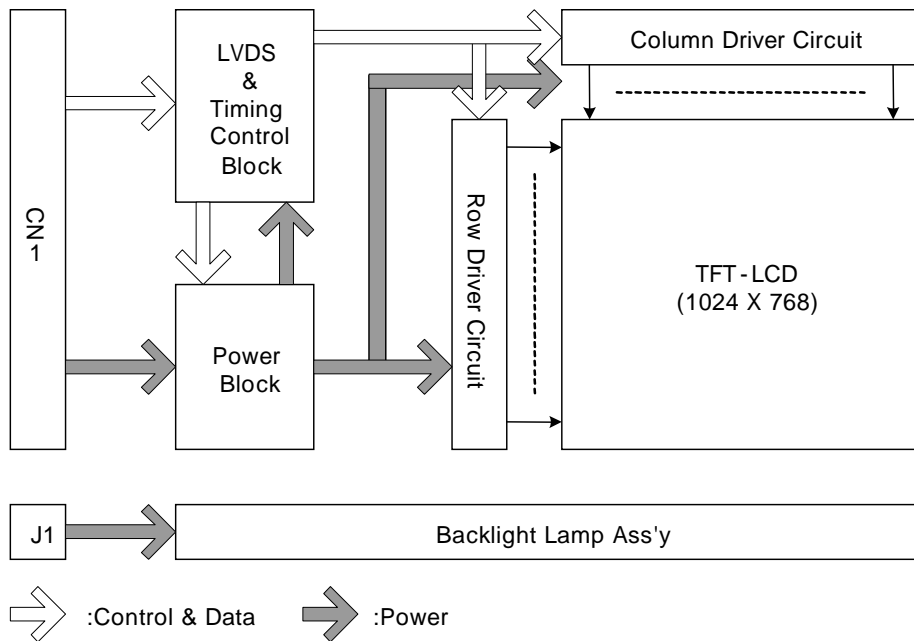
Product Specification

1. General Description

The LP150X08 is a Color Active Matrix Liquid Crystal Display with an integral Cold Cathode Fluorescent Lamp(CCFL) backlight system. The matrix employs a-Si Thin Film Transistor as the active element. It is a transmissive type display operating in the normally white mode. This TFT-LCD has 15.0 inches diagonally measured active display area with XGA resolution(768 vertical by 1024 horizontal pixel array) Each pixel is divided into Red, Green and Blue sub-pixels or dots which are arranged in vertical stripes. Gray scale or the brightness of the sub-pixel color is determined with a 6-bit gray scale signal for each dot, thus, presenting a palette of more than 262,144 colors.

The LP150X08 has been designed to apply the interface method that enables low power, high speed, low EMI.

The LP150X08 is intended to support applications where thin thickness, low power are critical factors and graphic display are important. In combination with the vertical arrangement of the sub-pixels, the LP150X08 characteristics provide an excellent flat display for office automation products such as Notebook PC.



General Features

Active Screen Size	15.0 inches(38.1cm) diagonal
Outline Dimension	317.3(H) x 241.5(V) x 5.9(D) mm(Typ.)
Pixel Pitch	0.297 mm x 0.297 mm
Pixel Format	1024 horiz. By 768 vert. Pixels RGB strip arrangement
Color Depth	6-bit, 262,144 colors
Luminance, White (5P)	150 cd/m ² (Typ.)
Power Consumption	4.76W (Typ.)
Weight	530 g (typ.)
Display Operating Mode	Transmissive mode, normally white
Surface Treatment	Hard coating(3H) Anti-glare treatment of the front polarizer

Product Specification

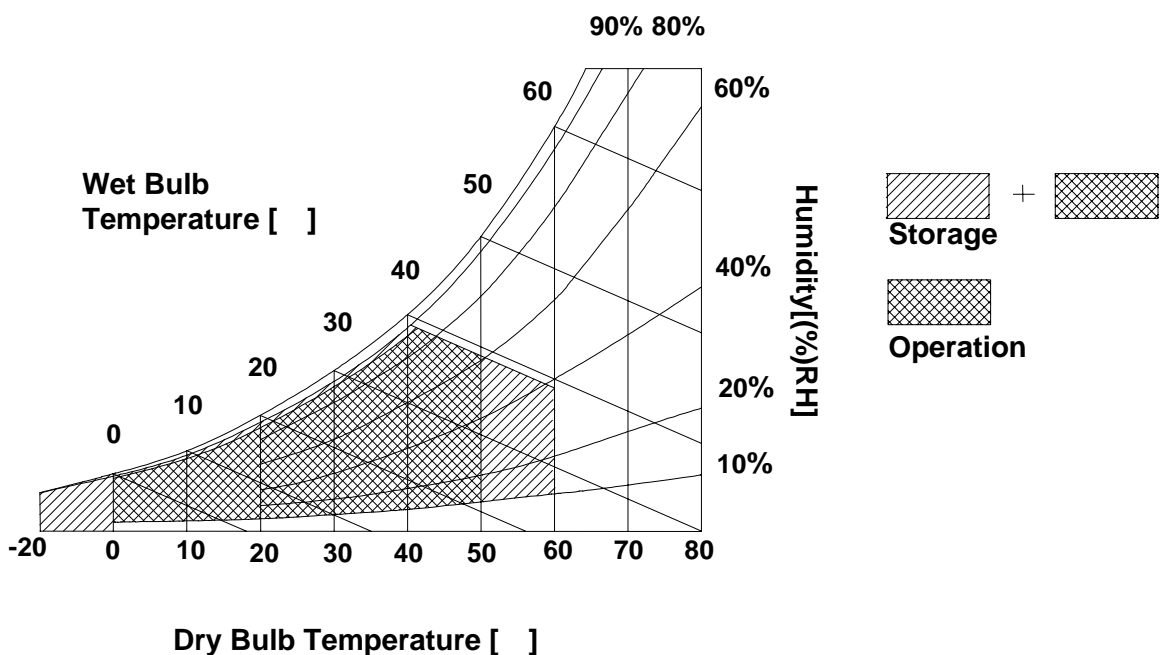
2. Absolute Maximum Ratings

The following are maximum values which, if exceeded, may cause faulty operation or damage to the unit.

Table 1. ABSOLUTE MAXIMUM RATINGS

Parameter	Symbol	Values		Units	Notes
		Min	Max		
Power Input Voltage-ON	VCC	2.7	4.0	Vdc	at 25 ± 5°C
Power Input Voltage-OFF	GND	-0.3	0.3	Vdc	at 25 ± 5°C
Operating Temperature	TOP	0	50	°C	1
Storage Temperature	TST	-20	60	°C	1
Operating Ambient Humidity	HOP	10	90	%RH	1
Storage Humidity	HST	10	90	%RH	1
Electrostatic Durability (ESD)	VESD	± 8.0		kV	2

- Note : 1. Temperature and relative humidity range are shown in the figure below.
Wet bulb temperature should be 39°C Max, and no condensation of water.
2. Condition 1) Non-operation, 150pF-330 , 25 , 40~60%RH
 2) I/F Connector pins are subjected.
 3) The surface of Metal bezel and LCD are subjected.
 4) Discharge interval time 1sec, 10 times each place



Product Specification

3. Electrical Specifications

3-1. Electrical Characteristics

The LP150X08 requires two power inputs. One is employed to power the LCD electronics and to drive the TFT array and liquid crystal. The second input which powers the CCFL, is typically generated by an inverter. The inverter is an external unit to the LCD.

Table 2. ELECTRICAL CHARACTERISTICS

Parameter	Symbol	Values			Unit	Notes
		Min	Typ	Max		
MODULE :						
Power Supply Input Voltage	VCC	3.0	3.3	3.6	Vdc	
Power Supply Input Current	I _{CC}	-	230	265	mA	1
Power Consumption	P _c		0.76	0.87	Watt	1
Differential Impedance	Z _m	90	100	110	ohm	2
LAMP :						
Operating Voltage	V _{BL}	658	675	815	V _{RMS}	3
Operating Current	I _{BL}	3.0	6.0	6.5	mA _{RMS}	
Established Starting Voltage	V _s					4
	at 25 °C	-	-	1165	V _{RMS}	
	at 0 °C	-	-	1400	V _{RMS}	
Operating Frequency	f _{BL}	50	65	80	kHz	5
Discharge Stabilization Time	T _s	-	-	3	Min	6
Power Consumption	P _{BL}	-	3.9	4.3	Watt	7
Life Time		12,000	-	-	Hrs	8

Note : The design of the inverter must have specifications for the lamp in LCD Assembly.

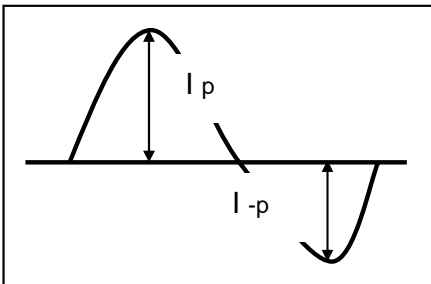
The performance of the Lamp in LCM, for example life time or brightness, is extremely influenced by the characteristics of the DC-AC inverter. So all the parameters of an inverter should be carefully designed so as not to produce too much leakage current from high-voltage output of the inverter. When you design or order the inverter, please make sure unwanted lighting caused by the mismatch of the lamp and the inverter(no lighting, flicker, etc) never occurs. When you confirm it, the LCD-Assembly should be operated in the same condition as installed in you instrument.

1. The specified current and power consumption are under the VCC=3.3V, 25°C, f_v=60Hz condition whereas Mosaic pattern is displayed and f_v is the frame frequency.
2. This impedance value is needed to proper display and measured from LVDS T_x to the mating connector.
3. The variance of the voltage is ± 10%.
4. The voltage above V_s should be applied to the lamps for more than 1 second for start-up. Otherwise, the lamps may not be turned on. The used lamp current is the lamp typical current.

Product Specification

5. The output of the inverter must have symmetrical(negative and positive) voltage waveform and symmetrical current waveform.(Unsymmetrical ratio is less than 10%) Please do not use the inverter which has unsymmetrical voltage and unsymmetrical current and spike wave.
Lamp frequency may produce interface with horizontal synchronous frequency and as a result this may cause beat on the display. Therefore lamp frequency shall be as away possible from the horizontal synchronous frequency and from its harmonics in order to prevent interference.
6. Let's define the brightness of the lamp after being lighted for 5 minutes as 100%.
 T_s is the time required for the brightness of the center of the lamp to be not less than 95%.
7. The lamp power consumption shown above does not include loss of external inverter.
The used lamp current is $6.0\text{mA}_{\text{RMS}}$.
8. The life is determined as the time at which brightness of the lamp is 50% compared to that of initial value at $6.0\text{mA}_{\text{RMS}}$ on condition of continuous operating at $25 \pm 2^\circ\text{C}$
9. Requirements for a system inverter design, which is intended to have a better display performance, a better power efficiency and a more reliable lamp, are following.
It shall help increase the lamp lifetime and reduce leakage current.
 - a. The asymmetry rate of the inverter waveform should be less than 10%.
 - b. The distortion rate of the waveform should be within $\sqrt{2} \pm 10\%$.

* Inverter output waveform had better be more similar to ideal sine wave.



* Asymmetry rate:

$$\frac{|I_p - I_{-p}|}{I_{\text{rms}}} * 100\%$$

* Distortion rate

$$I_p \text{ (or } I_{-p}) / I_{\text{rms}}$$

Do not attach a conducting tape to lamp connecting wire.
If the lamp wire attach to a conducting tape, TFT-LCD Module has a low luminance and the inverter has abnormal action. Because leakage current is occurred between lamp wire and conducting tape.

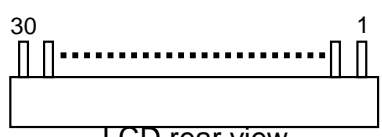
Product Specification

3-2. Interface Connections

The interface connections are compatible with **ISP (Industry Standard Panels) 15.0" Mounting and Top Level Interface Requirements (Version2, June,2000)** defined by **SPWG (Standard Panels Working Group)**. This LCD employs two interface connections, a 30 pin connector is used for the module electronics and the other connector is used for the integral backlight system.

The electronics interface connector is a model GT101-30S-HR11 manufactured by LG Cable. The pin configuration for the connector is shown in the table below.

Table 3. MODULE CONNECTOR PIN CONFIGURATION (CN1)

Pin	Symbol	Description	Notes
1	VSS	Ground	<p>[LVDS Transmitter] TI, SN75LVDS84 or equivalent</p> <p>[LVDS Receiver] UMC, FXLVRX085H90A</p> <p>[Connector] LCD : LG Cable GT101-30S-HR11 JAE FI-XB30Sx-HFxx or equivalent.</p> <p>Matching : JAE FI-X30M or equivalent</p> <p>[Connector pin arrangement]</p>  <p>LCD rear view</p>
2	VCC	Power Supply, 3.3V Typ.	
3	VCC	Power Supply, 3.3V Typ.	
4	VEDID	DDC 3.3V power	
5	NC	No Connection	
6	ClKEDID	DDC Clock	
7	DATAEDID	DDC Data	
8	R _{IN} 0 -	- LVDS differential data input (R0-R5, G0)	
9	R _{IN} 0 +	+ LVDS differential data input (R0-R5, G0)	
10	VSS	Ground	
11	R _{IN} 1 -	- LVDS differential data input (G1-G5, B0-B1)	
12	R _{IN} 1 +	+ LVDS differential data input (G1-G5, B0-B1)	
13	VSS	Ground	
14	R _{IN} 2 -	- LVDS differential data input (B2-B5, HS, VS, DE)	
15	R _{IN} 2 +	+ LVDS differential data input (B2-B5, HS, VS, DE)	
16	VSS	Ground	
17	ClKIN -	- LVDS differential clock input	
18	ClKIN +	+ LVDS differential clock input	
19	VSS	Ground	
20	NC	No Connection	
21	NC	No Connection	
22	VSS	Ground	
23	NC	No Connection	
24	NC	No Connection	
25	VSS	Ground	
26	NC	No Connection	
27	NC	No Connection	
28	VSS	Ground	
29	NC	No Connection	
30	NC	No Connection	

Note: All GND(ground) pins should be connected together and to GND which should also be connected to the LCD's metal frame. All VCC (power input) pins should be connected together.

The backlight interface connector is JST BHSR-02VS-1 or equivalent. The mating connector part number is SM02B-BHSS-1 or equivalent.

Table 4. BACKLIGHT CONNECTOR PIN CONFIGURATION (J1)

Pin	Symbol	Description	Notes
1	HV	Power supply for lamp (High voltage side)	1
2	LV	Power supply for lamp (Low voltage side)	1

Notes : 1. The high voltage side terminal is colored pink and the low voltage side terminal is Green.

Product Specification

3-3. Signal Timing Specifications

This is the signal timing required at the input of the User connector. All of the interface signal timing should be satisfied with the following specifications and specifications of LVDS Tx/Rx for it's proper operation.

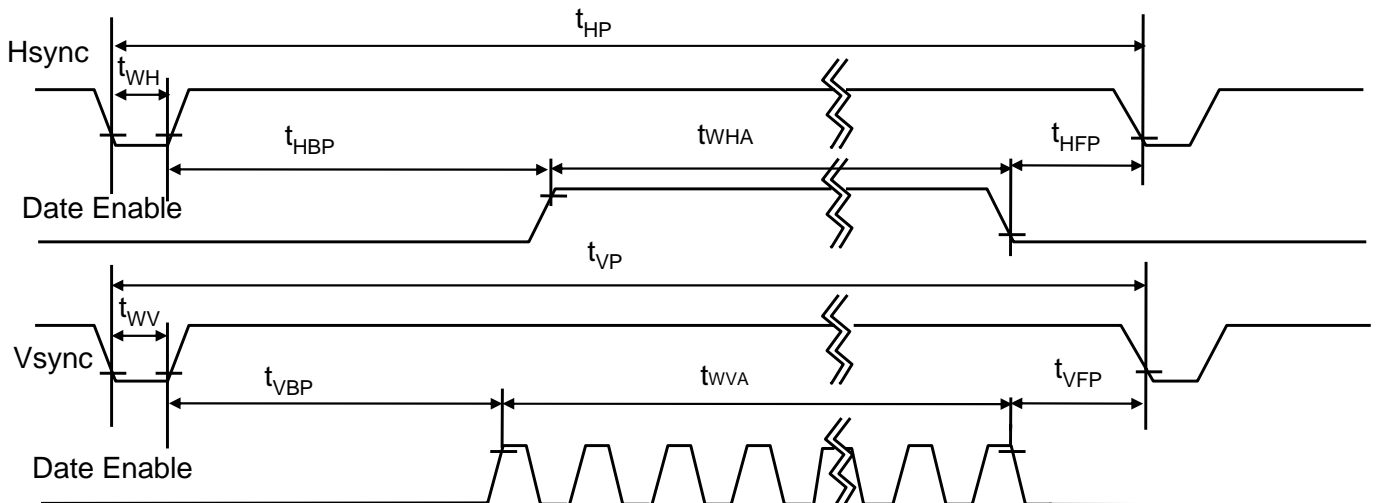
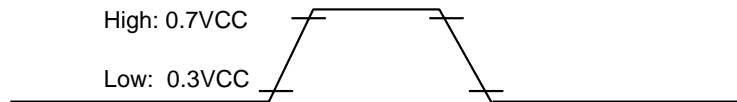
Table 5. TIMING TABLE

ITEM	Symbol		Min	Typ	Max	Unit	Note
DCLK	Frequency	fCLK	40	65	68	MHz	15.4ns
Hsync	Period	tHP	1206	1344	1364	tCLK	
	Width	tWH	8	136	-		
Vsync	Period	tVP	780	806	830	tHP	Don't care Flicker level at 40Hz
	Frequency	fv	40	60	60		
	Width	tWV	1	6	24		
Data Enable	Horizontal back porch	tHBP	10	160	-	tCLK	
	Horizontal front porch	tHFP	10	24	-		
	Vertical back porch	tVBP	7	29	-	tHP	
	Vertical front porch	tVFP	1	3	-		

3-4. Signal Timing Waveforms

Condition : VCC =3.3V

Data Enable, Hsync, Vsync



Product Specification

3-5. Color Input Data Reference

The brightness of each primary color (red, green and blue) is based on the 6-bit gray scale data input for the color ; the higher the binary input, the brighter the color. The table below provides a reference for color versus data input.

Table 6. COLOR DATA REFERENCE

Color		Input Color Data																	
		RED						GREEN						BLUE					
		MSB			LSB			MSB			LSB			MSB			LSB		
		R 5	R 4	R 3	R 2	R 1	R 0	G 5	G 4	G 3	G 2	G 1	G 0	B 5	B 4	B 3	B 2	B 1	B 0
Basic Color	Black	0	0	0	0	0	0	0	0	0	0	0	0	0	0	0	0	0	0
	Red	1	1	1	1	1	1	0	0	0	0	0	0	0	0	0	0	0	0
	Green	0	0	0	0	0	0	1	1	1	1	1	1	0	0	0	0	0	0
	Blue	0	0	0	0	0	0	0	0	0	0	0	0	1	1	1	1	1	1
	Cyan	0	0	0	0	0	0	1	1	1	1	1	1	1	1	1	1	1	1
	Magenta	1	1	1	1	1	1	0	0	0	0	0	0	1	1	1	1	1	1
	Yellow	1	1	1	1	1	1	1	1	1	1	1	1	0	0	0	0	0	0
	White	1	1	1	1	1	1	1	1	1	1	1	1	1	1	1	1	1	1
RED	RED (00)	0	0	0	0	0	0	0	0	0	0	0	0	0	0	0	0	0	0
	RED (01)	0	0	0	0	0	1	0	0	0	0	0	0	0	0	0	0	0	0
					
	RED (62)	1	1	1	1	1	0	0	0	0	0	0	0	0	0	0	0	0	0
	RED (63)	1	1	1	1	1	1	0	0	0	0	0	0	0	0	0	0	0	0
GREEN	GREEN (00)	0	0	0	0	0	0	0	0	0	0	0	0	0	0	0	0	0	0
	GREEN (01)	0	0	0	0	0	0	0	0	0	0	0	1	0	0	0	0	0	0
					
	GREEN (62)	0	0	0	0	0	0	1	1	1	1	1	0	0	0	0	0	0	0
	GREEN (63)	0	0	0	0	0	0	1	1	1	1	1	1	0	0	0	0	0	0
BLUE	BLUE (00)	0	0	0	0	0	0	0	0	0	0	0	0	0	0	0	0	0	0
	BLUE (01)	0	0	0	0	0	0	0	0	0	0	0	0	0	0	0	0	0	1
					
	BLUE (62)	0	0	0	0	0	0	0	0	0	0	0	0	1	1	1	1	1	0
	BLUE (63)	0	0	0	0	0	0	0	0	0	0	0	0	1	1	1	1	1	1

Product Specification

3-6. Power Sequence

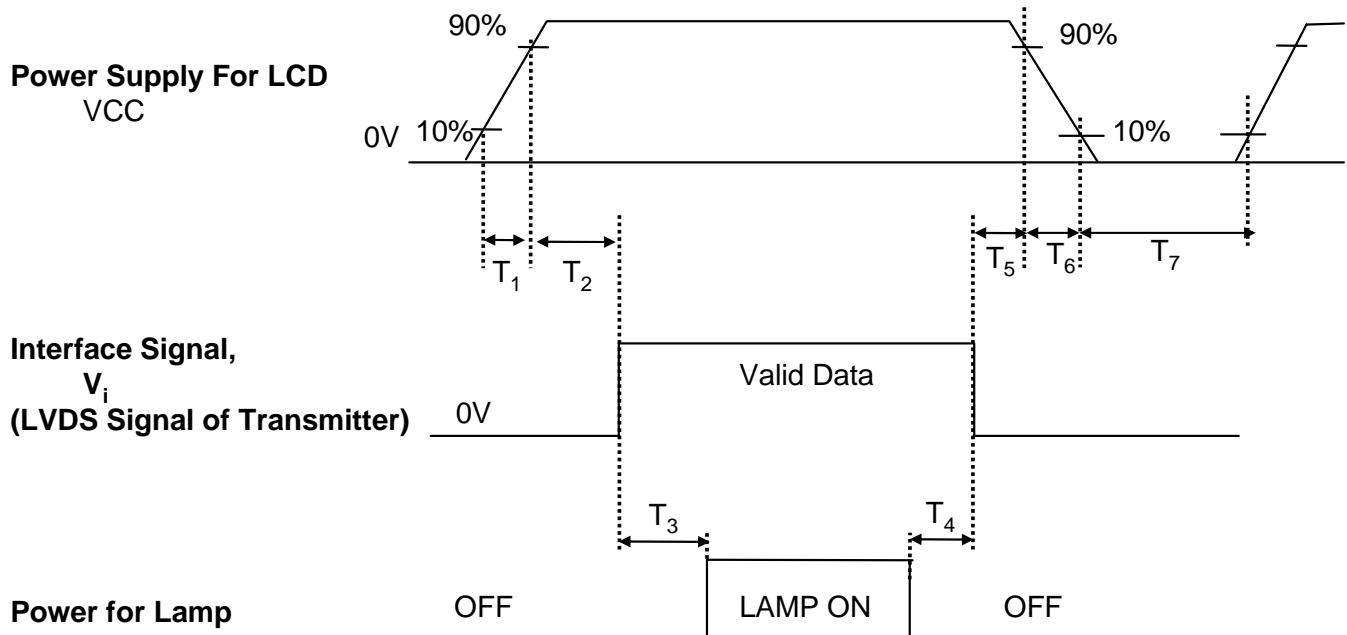


Table 7. POWER SEQUENCE TABLE

Parameter	Value			Unit
	Min.	Typ.	Max.	
T ₁	-	-	10	ms
T ₂	0	-	50	ms
T ₃	200	-	-	ms
T ₄	0	-	-	ms
T ₅	0	-	-	ms
T ₆	0	-	300	ms
T ₇	100	-	-	ms

- Notes :
1. Please avoid floating state of interface signal at invalid period.
 2. When the interface signal is invalid, be sure to pull down the power supply for LCD VCC to 0V.
 3. Lamp power must be turn on after power supply for LCD and interface signal are valid.

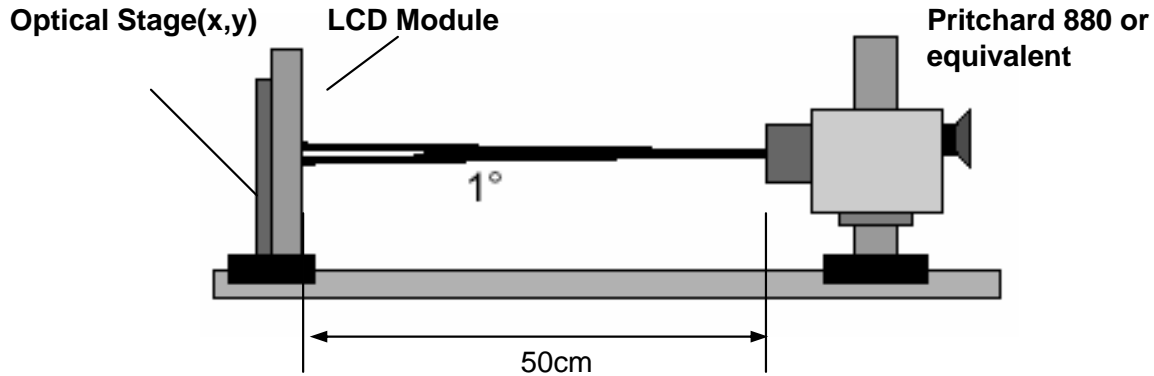
Product Specification

4. Optical Specification

Optical characteristics are determined after the unit has been 'ON' and stable for approximately 30 minutes in a dark environment at 25°C. The values specified are at an approximate distance 50cm from the LCD surface at a viewing angle of Φ and Θ equal to 0°.

FIG. 1 presents additional information concerning the measurement equipment and method.

FIG. 1 Optical Characteristic Measurement Equipment and Method



Ta=25°C, VCC=3.3V, fv=60Hz
Dclk= 65MHz, IBL= 6.0mA

Table 8. OPTICAL CHARACTERISTICS

Parameter	Symbol	Values			Units	Notes
		Min	Typ	Max		
Contrast Ratio	CR	175	250	-		1
Surface Luminance, white (5P)	L _{WH}	125	150		cd/m ²	2
Luminance Variation (13P)	δ_{WHITE}	60%	-	-		3
(5P)	δ_{WHITE}	70%	-	-		
Response Time						4
Rise Time	Tr _R	-	10	20	ms	
Decay Time	Tr _D	-	20	30	ms	
Color Coordinates						PR650 or equivalent
RED	RX	0.557	0.587	0.617		
	RY	0.313	0.343	0.373		
GREEN	GX	0.300	0.330	0.360		
	GY	0.513	0.543	0.578		
BLUE	BX	0.129	0.159	0.189		
	BY	0.118	0.148	0.178		
WHITE	WX	0.285	0.313	0.341		
	WY	0.309	0.329	0.349		
Viewing Angle						5
x axis, right($\Phi=0^\circ$)	Θ_r	40	45	-	degree	
x axis, left ($\Phi=180^\circ$)	Θ_l	40	45	-	degree	
y axis, up ($\Phi=90^\circ$)	Θ_u	10	15	-	degree	
y axis, down ($\Phi=270^\circ$)	Θ_d	30	35	-	degree	
Gray Scale						6

Product Specification

Notes 1. Contrast Ratio(CR) is defined mathematically as :

$$\text{Contrast Ratio} = \frac{\text{Surface Luminance with all white pixels}}{\text{Surface Luminance with all black pixels}}$$

2. Surface luminance is the average of 5 points across the LCD surface 50cm from the surface with all pixels displaying white. For more information see FIG 1., When $I_{BL}=6.0\text{mA}$.

3. The variation in surface luminance , The Panel total variation (δ_{WHITE}) is determined by measuring L_{ON} at each test position 1 through 13, and then dividing the maximum L_{ON} of 13 points luminance by minimum L_{ON} of 13 points luminance. For more information see FIG 2.
 $\delta_{\text{WHITE}} = \{\text{Minimum}(L1,L2, \dots L13) / \text{Maximum}(L1,L2, \dots L13)\} * 100$

4. Response time is the time required for the display to transition from white to black(RiseTime, Tr_R) and from black to white(Decay Time, Tr_D). For additional information see FIG 3.

5. Viewing angle is the angle at which the contrast ratio is greater than 10. The angles are determined for the horizontal or x axis and the vertical or y axis with respect to the z axis which is normal to the LCD surface. For more information see FIG 4.

6. Gray scale specification

* $f_V=60\text{Hz}$

Gray Level	Luminance [%] (Typ)
L0	0.39
L7	1.20
L15	4.50
L23	11.3
L31	22.0
L39	38.0
L47	57.5
L55	80.0
L63	100

Product Specification

FIG. 2 Luminance

<measuring point for surface luminance>
POINTS: 5 POINT (1~5)

<measuring point for luminance variation>
POINTS: 13 POINTS (1~13)

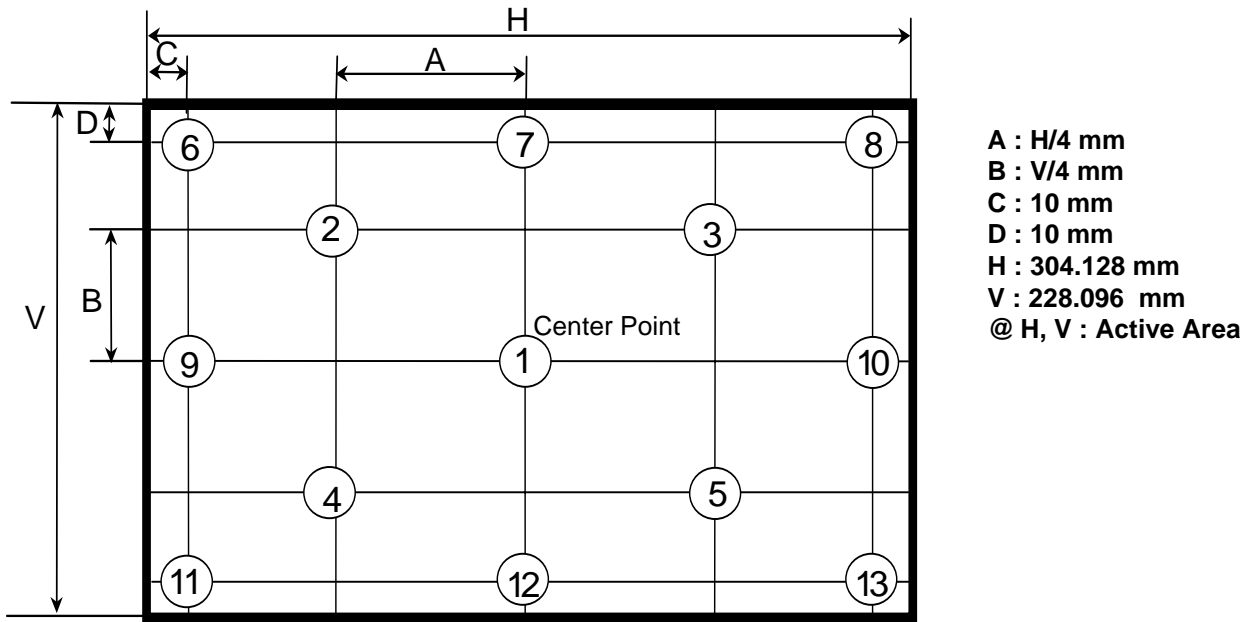
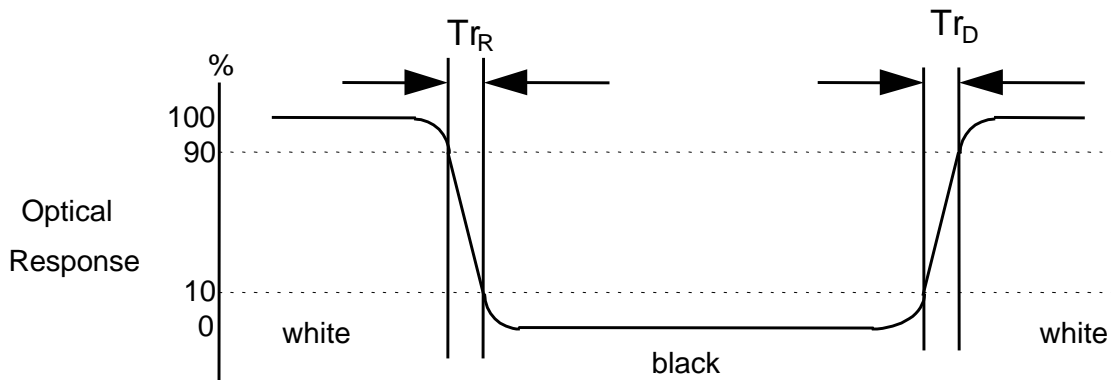


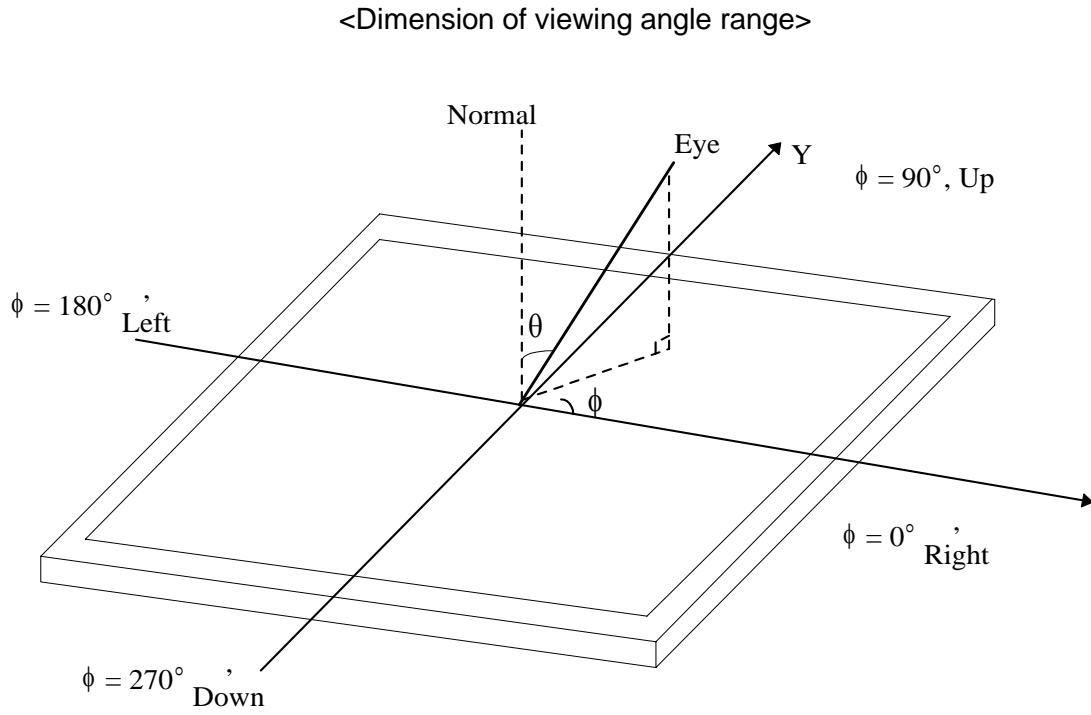
FIG. 3 Response Time

The response time is defined as the following figure and shall be measured by switching the input signal for "black" and "white".



Product Specification

FIG. 4 Viewing angle



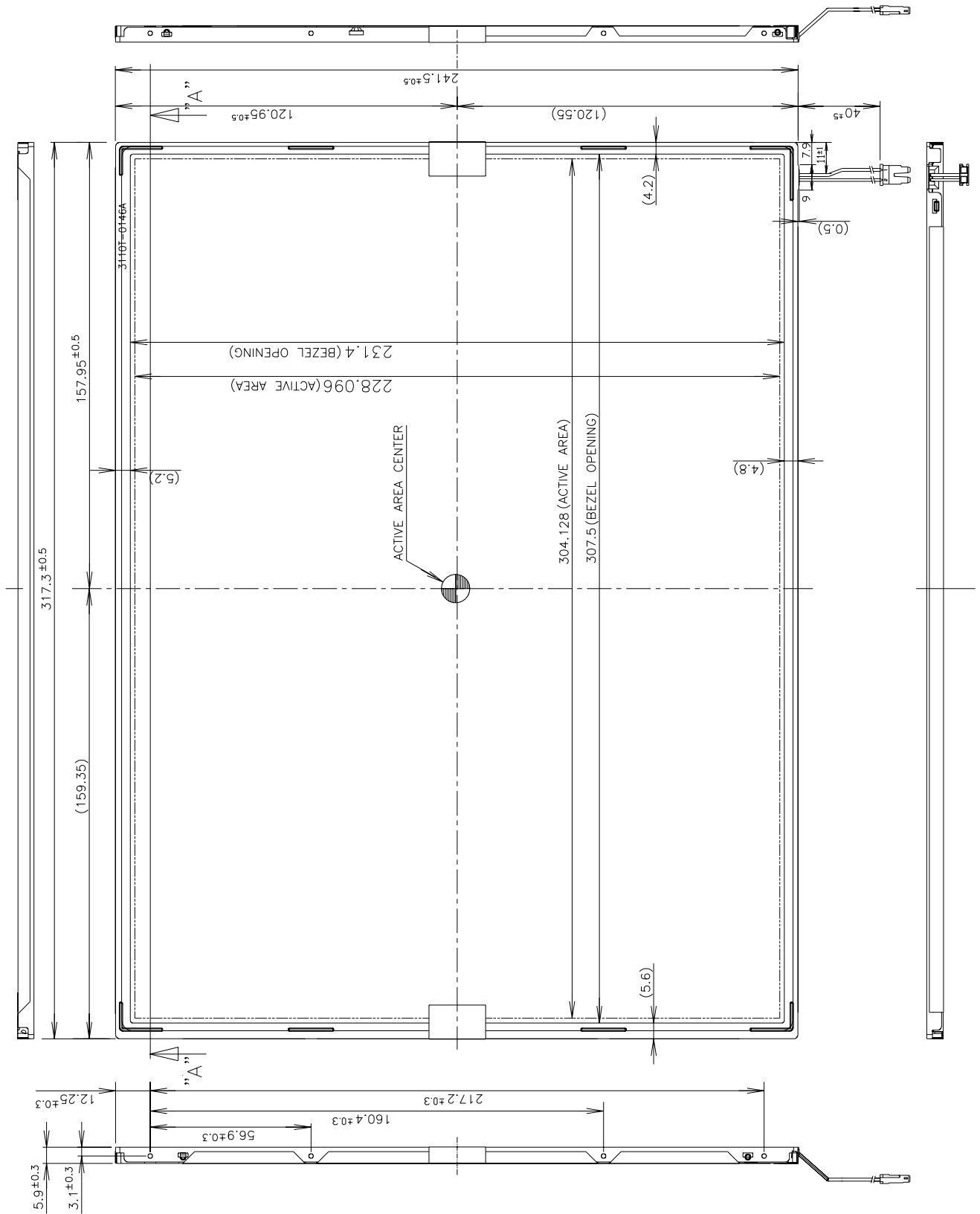
Product Specification

5. Mechanical Characteristics

The contents provide general mechanical characteristics for the model LP150X08. In addition the figures in the next page are detailed mechanical drawing of the LCD.

Outline Dimension	Horizontal	317.3 ± 0.5mm
	Vertical	241.5 ± 0.5mm
	Depth	5.9 ± 0.3mm
Bezel Area	Horizontal	307.5 ± 0.5mm
	Vertical	231.4 ± 0.5mm
Active Display Area	Horizontal	304.128 mm
	Vertical	228.096 mm
Weight	530g (Typ.) 545g (Max.)	
Surface Treatment	Hard coating(3H) Anti-glare treatment of the front polarizer	

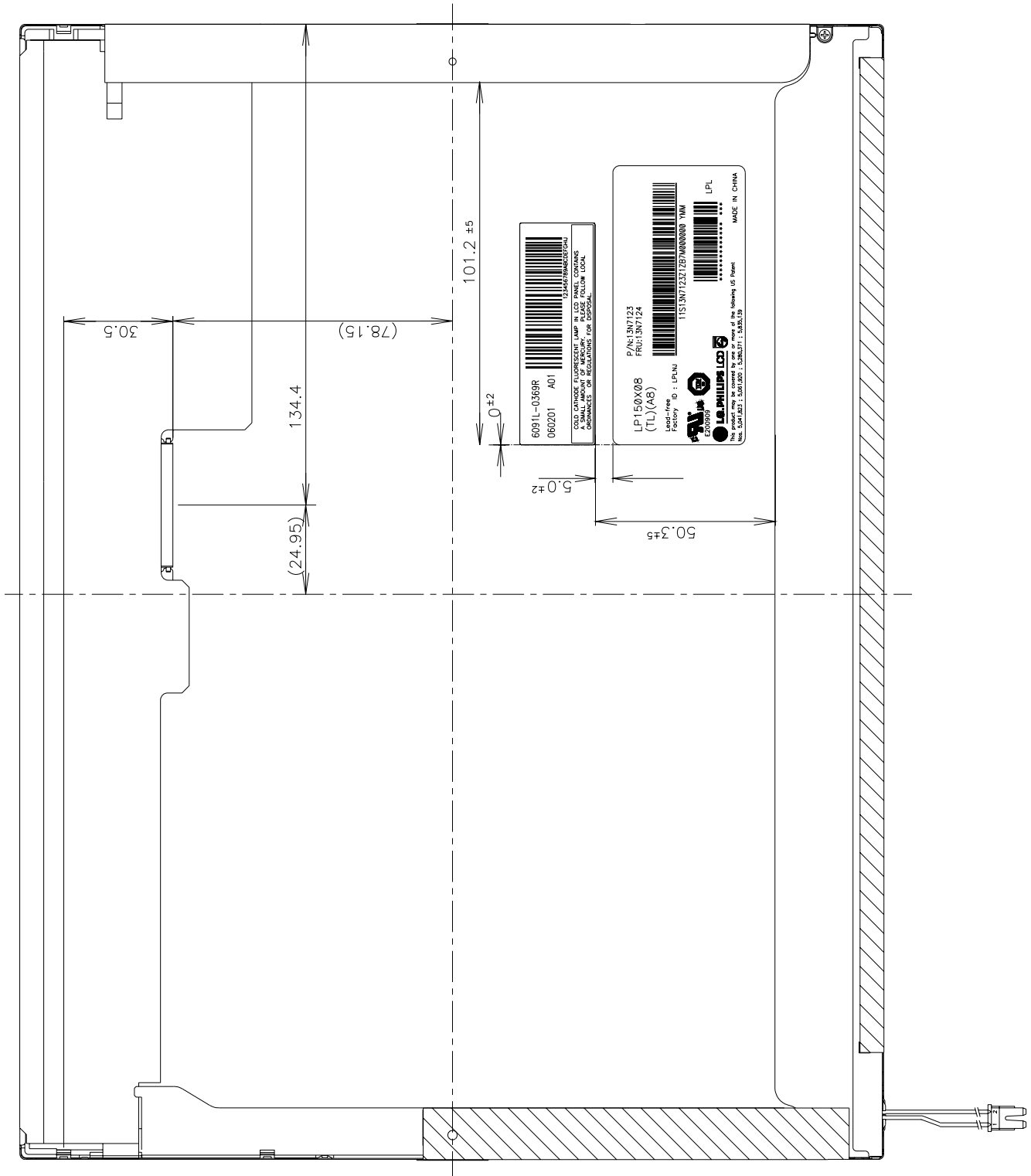
Product Specification



Note. Unspecified tolerance are +/-0.5mm

Product Specification

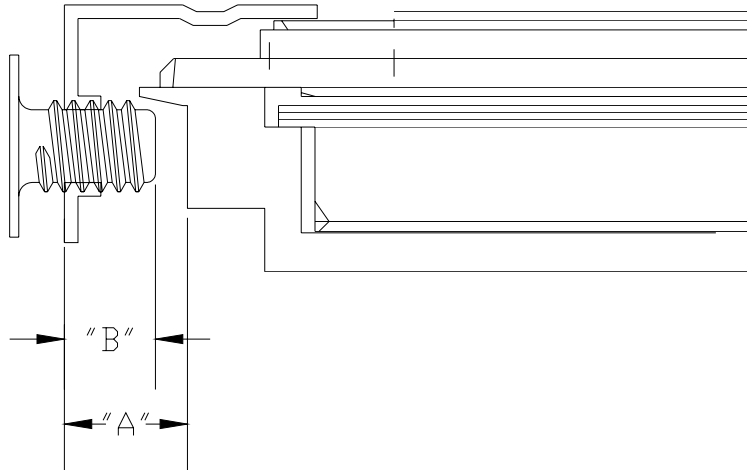
<REAR VIEW>



Note. Unspecified tolerance are +/-0.5mm

Product Specification

[DETAIL DESCRIPTION OF SIDE MOUNTING SCREW]



- * Screw Torque : 2.5kgf.cm Max
- * Screw Hole Depth ("A") : Min 2.5mm
- * Screw Length ("B") :Max 2.5, Min 2.3(LPL CAN'T CONTROL THIS DIMENSION.)

Notes : 1. Screw plated through the method of non-electrolytic nickel plating is preferred to reduce possibility that results in vertical and/or horizontal line defect due to the conductive particles from screw surface.

Product Specification

6. Reliability

Environment test condition

No.	Test Item	Conditions
1	High temperature storage test	Ta= 60°C, 240h
2	Low temperature storage test	Ta= -20°C, 240h
3	High temperature operation test	Ta= 50°C, 50%RH, 240h
4	Low temperature operation test	Ta= 0°C, 240h
5	Vibration test (non-operating)	Sine wave, 10 ~ 500 ~ 10Hz, 1.5G, 0.37oct/min 3 axis, 1hour/axis
6	Shock test (non-operating)	Half sine wave, 180G, 2ms one shock of each six faces(I.e. run 180G 2ms for all six faces)
7	Altitude operating storage / shipment	0 ~ 10,000 feet (3,048m) 24Hr 0 ~ 40,000 feet (12,192m) 24Hr

{ Result Evaluation Criteria }

There should be no change which might affect the practical display function when the display quality test is conducted under normal operating condition.

7. International Standards

7-1. Safety

- a) UL 60950, Third Edition, Underwriters Laboratories, Inc., Dated Dec. 11, 2000.
Standard for Safety of Information Technology Equipment, Including Electrical Business Equipment.
- b) CAN/CSA C22.2, No. 60950, Third Edition, Canadian Standards Association, Dec. 1, 2000.
Standard for Safety of Information Technology Equipment, Including Electrical Business Equipment.
- c) EN 60950 : 2000, Third Edition
IEC 60950 : 1999, Third Edition
European Committee for Electrotechnical Standardization(CENELEC)
EUROPEAN STANDARD for Safety of Information Technology Equipment Including Electrical Business Equipment.

7-2. EMC

- a) ANSI C63.4 "Methods of Measurement of Radio-Noise Emissions from Low-Voltage Electrical and Electrical Equipment in the Range of 9kHz to 40GHz. "American National Standards Institute(ANSI), 1992
- b) C.I.S.P.R "Limits and Methods of Measurement of Radio Interface Characteristics of Information Technology Equipment." International Special Committee on Radio Interference.
- c) EN 55022 "Limits and Methods of Measurement of Radio Interface Characteristics of Information Technology Equipment." European Committee for Electrotechnical Standardization.(CENELEC), 1998 (Including A1: 2000)

Product Specification

8. Packing

8-1. Designation of Lot Mark

a) Lot Mark

A	B	C	D	E	F	G	H	I	J	K	L	M
---	---	---	---	---	---	---	---	---	---	---	---	---

A,B,C : SIZE(INCH)

E : MONTH

G : ASSEMBLY CODE

D : YEAR

F : FACTORY CODE

H ~ M : SERIAL NO.

Note

1. YEAR

Year	2001	2002	2003	2004	2005	2006	2007	2008	2009	2010
Mark	1	2	3	4	5	6	7	8	9	0

2. MONTH

Month	Jan	Feb	Mar	Apr	May	Jun	Jul	Aug	Sep	Oct	Nov	Dec
Mark	1	2	3	4	5	6	7	8	9	A	B	C

3. FACTORY CODE

Factory Code	LPL Gumi	LPL Nanjing	HEESUNG
Mark	K	C	D

4. SERIAL NO.

Mark	100001~199999, 200001~299999, 300001~399999,, A00001~A99999,, Z00001~Z99999
------	---

b) Location of Lot Mark

Serial No. is printed on the label. The label is attached to the backside of the LCD module.
This is subject to change without prior notice.

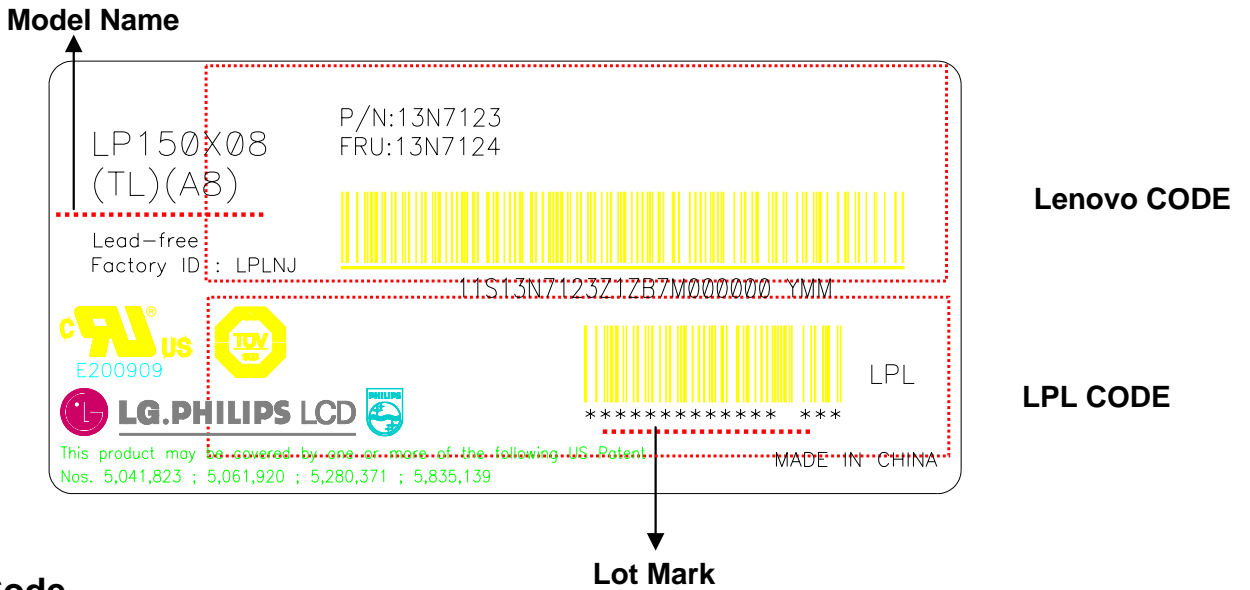
8-2. Packing Form

a) Package quantity in one box : **20 pcs**

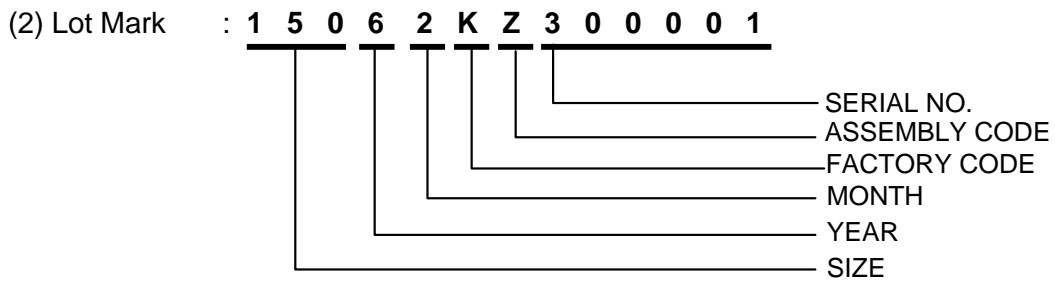
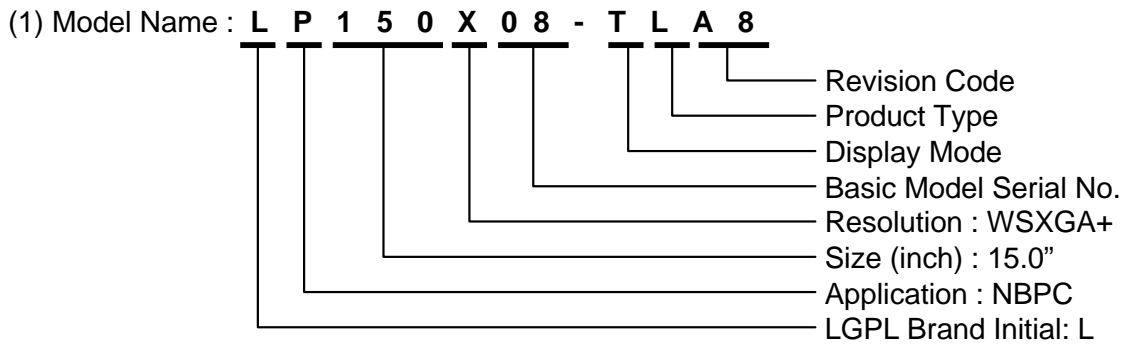
b) Box Size : 388mm X 334mm X 318mm

Product Specification

8-3. Label Description



LPL Code



Lenovo Code

- 1)P/N : 13N7123
- 2)FRU : 13N7124

Product Specification

9. PRECAUTIONS

Please pay attention to the followings when you use this TFT LCD module.

9-1. MOUNTING PRECAUTIONS

- (1) You must mount a module using holes arranged in four corners or four sides.
- (2) You should consider the mounting structure so that uneven force (ex. Twisted stress) is not applied to the module. And the case on which a module is mounted should have sufficient strength so that external force is not transmitted directly to the module.
- (3) Please attach the surface transparent protective plate to the surface in order to protect the polarizer. Transparent protective plate should have sufficient strength in order to resist external force.
- (4) You should adopt radiation structure to satisfy the temperature specification.
- (5) Acetic acid type and chlorine type materials for the cover case are not desirable because the former generates corrosive gas of attacking the polarizer at high temperature and the latter causes circuit break by electro-chemical reaction.
- (6) Do not touch, push or rub the exposed polarizers with glass, tweezers or anything harder than HB pencil lead. And please do not rub with dust clothes with chemical treatment. Do not touch the surface of polarizer for bare hand or greasy cloth. (Some cosmetics are detrimental to the polarizer.)
- (7) When the surface becomes dusty, please wipe gently with absorbent cotton or other soft materials like chamois soaked with petroleum benzene. Normal-hexane is recommended for cleaning the adhesives used to attach front / rear polarizers. Do not use acetone, toluene and alcohol because they cause chemical damage to the polarizer.
- (8) Wipe off saliva or water drops as soon as possible. Their long time contact with polarizer causes deformations and color fading.
- (9) Do not open the case because inside circuits do not have sufficient strength.

9-2. OPERATING PRECAUTIONS

- (1) The spike noise causes the mis-operation of circuits. It should be lower than following voltage :
 $V = \pm 200\text{mV}$ (Over and under shoot voltage)
- (2) Response time depends on the temperature. (In lower temperature, it becomes longer.)
- (3) Brightness depends on the temperature. (In lower temperature, it becomes lower.)
And in lower temperature, response time (required time that brightness is stable after turned on) becomes longer.
- (4) Be careful for condensation at sudden temperature change. Condensation makes damage to polarizer or electrical contacted parts. And after fading condensation, smear or spot will occur.
- (5) When fixed patterns are displayed for a long time, remnant image is likely to occur.
- (6) Module has high frequency circuits. Sufficient suppression to the electromagnetic interference shall be done by system manufacturers. Grounding and shielding methods may be important to minimize the interference.

9-3. ELECTROSTATIC DISCHARGE CONTROL

Since a module is composed of electronic circuits, it is not strong to electrostatic discharge. Make certain that treatment persons are connected to ground through wrist band etc. And don't touch interface pin directly.

9-4. PRECAUTIONS FOR STRONG LIGHT EXPOSURE

Strong light exposure causes degradation of polarizer and color filter.

9-5. STORAGE

When storing modules as spares for a long time, the following precautions are necessary.

- (1) Store them in a dark place. Do not expose the module to sunlight or fluorescent light. Keep the temperature between 5°C and 35°C at normal humidity.
- (2) The polarizer surface should not come in contact with any other object.
It is recommended that they be stored in the container in which they were shipped.

9-6. HANDLING PRECAUTIONS FOR PROTECTION FILM

- (1) The protection film is attached to the bezel with a small masking tape.
When the protection film is peeled off, static electricity is generated between the film and polarizer. This should be peeled off slowly and carefully by people who are electrically grounded and with well ion-blown equipment or in such a condition, etc.
- (2) When the module with protection film attached is stored for a long time, sometimes there remains a very small amount of glue still on the bezel after the protection film is peeled off.
- (3) You can remove the glue easily. When the glue remains on the bezel surface or its vestige is recognized, please wipe them off with absorbent cotton waste or other soft material like chamois soaked with normal-hexane.

Product Specification

APPENDIX [A] - Enhanced Extended Display Identification Data (EEDID™)

Byte# (decimal)	Byte# (HEX)	Field Name and Comments	Value (HEX)	Data	
0	00	Header	0 0		Header
1	01	Header	F F		
2	02	Header	F F		
3	03	Header	F F		
4	04	Header	F F		
5	05	Header	F F		
6	06	Header	F F		
7	07	Header	0 0		
8	08	ID system Manufacturer Name	3 0	LEN	Vender/ Product ID
9	09	Compressed ASCII	A E		
10	0A	ID Product Code	4 0	XGA (4040)	
11	0B	ID Product Code	4 0		
12	0C	LCD Module Serial No. = 0 (If not used)	0 0		
13	0D	LCD Module Serial No. = 0 (If not used)	0 0		
14	0E	LCD Module Serial No. = 0 (If not used)	0 0		
15	0F	LCD Module Serial No. = 0 (If not used)	0 0		
16	10	Week of Manufacture	0 0	00	
17	11	Year of Manufacture	0 F	2005	
18	12	EDID Structure version	0 1	1	EDID Version/ Revision
19	13	EDID Revision	0 3	3	
20	14	Video Input Definition = Digital I/P, non TMDS CRG	8 0		Display Parameter
21	15	Max H image size(cm) = 30.4128cm(30)	1 E	30	
22	16	Max V image size(cm) = 22.8096cm(22)	1 7	23	
23	17	Display gamma	7 8	2.2	
24	18	Feature support(DPMS) = Active off, RGB Color	E A		
25	19	Red/Green low Bits	7 4		Color Characteristic
26	1A	Blue/White Low Bits	B 0		
27	1B	Red X	9 6	0.587	
28	1C	Red Y	5 7	0.343	
29	1D	Green X	5 4	0.330	
30	1E	Green Y	8 B	0.543	
31	1F	Blue X	2 8	0.159	
32	20	Blue Y	2 5	0.148	
33	21	White X	5 0	0.313	
34	22	White Y	5 4	0.329	
35	23	Established Timing I = 00h(If not used)	2 1		Established Timings
36	24	Established Timing II = 00h(If not used)	0 8		
37	25	Manufacturer's Timings = 00h(If not used)	0 0		
38	26	Standard Timing Identification 1 was not used	0 1		Standard Timing ID
39	27	Standard Timing Identification 1 was not used	0 1		
40	28	Standard Timing Identification 2 was not used	0 1		
41	29	Standard Timing Identification 2 was not used	0 1		
42	2A	Standard Timing Identification 3 was not used	0 1		
43	2B	Standard Timing Identification 3 was not used	0 1		
44	2C	Standard Timing Identification 4 was not used	0 1		
45	2D	Standard Timing Identification 4 was not used	0 1		
46	2E	Standard Timing Identification 5 was not used	0 1		
47	2F	Standard Timing Identification 5 was not used	0 1		
48	30	Standard Timing Identification 6 was not used	0 1		
49	31	Standard Timing Identification 6 was not used	0 1		
50	32	Standard Timing Identification 7 was not used	0 1		
51	33	Standard Timing Identification 7 was not used	0 1		
52	34	Standard Timing Identification 8 was not used	0 1		
53	35	Standard Timing Identification 8 was not used	0 1		

Product Specification

Byte# (decimal)	Byte# (HEX)	Field Name and Comments	Value (HEX)	Data		
54	36	Pixel Clock/10,000 (LSB)	6 4	65.00MHz	Timing Descriptor #1	
55	37	Pixel Clock/10,000 (MSB) /	1 9			
56	38	Horizontal Active	0 0	1024 pixels		
57	39	Horizontal Blanking	4 0	320 pixels		
58	3A	Horizontal Active : Horizontal Blanking	4 1			
59	3B	Vertical Avtive	0 0	768 lines		
60	3C	Vertical Blanking	2 6	38 lines		
61	3D	Vertical Active : Vertical Blanking	3 0			
62	3E	Horizontal Sync. Offset	1 8	24 pixels		
63	3F	Horizontal Sync Pulse Width	8 8	136 pixels		
64	40	Vertical Sync Offset : Sync Width	3 6	3/6 lines		
65	41	Horizontal Vertical Sync Offset/Width upper 2bits	0 0 0			
66	42	Horizontal Image Size	3 0	304		
67	43	Vertical Image Size	E 4	228		
68	44	Horizontal & Vertical Image Size	1 0			
69	45	Horizontal Border = 0	0 0			
70	46	Vertical Border = 0	0 0			
71	47	Non-interlaced,Normal display,no stereo,Digital separate sync,H/V pol negatives	1 8			
72	48	Pixel Clock/10,000 (LSB) 50Hz	2 8	54.16MHz		Timing Description #2
73	49	Pixel Clock/10,000 (MSB) / 50Hz	1 5			
74	4A	Horizontal Active	0 0	1024 pixels		
75	4B	Horizontal Blanking	4 0	320 pixels		
76	4C	Horizontal Active : Horizontal Blanking	4 1			
77	4D	Vertical Avtive	0 0	768 lines		
78	4E	Vertical Blanking	2 6	38 lines		
79	4F	Vertical Active : Vertical Blanking	3 0			
80	50	Horizontal Sync. Offset	1 8	24 pixels		
81	51	Horizontal Sync Pulse Width	8 8	136 pixels		
82	52	Vertical Sync Offset : Sync Width	3 6	3/6 lines		
83	53	Horizontal Vertical Sync Offset/Width upper 2bits	0 0 0			
84	54	Horizontal Image Size	3 0	304		
85	55	Vertical Image Size	E 4	228		
86	56	Horizontal & Vertical Image Size	1 0			
87	57	Horizontal Border = 0	0 0			
88	58	Vertical Border = 0	0 0			
89	59	Non-interlaced,Normal display,no stereo,Digital separate sync,H/V pol negatives	1 8			
90	5A	Detailed Timing Descriptor #3	0 0 0		Timing Description #3	
91	5B		0 0 0			
92	5C		0 0 0			
93	5D		0 F 15			
94	5E		0 0 0			
95	5F	(Horizontal active pixel /8)-31	6 1 97			
96	60	Image Aspect Ratio(4:3)	4 3 4 : 3			
97	61	Low Refresh Rate #1(50Hz)	3 2 50			
98	62	(Horizontal active pixel /8)-31	6 1 97			
99	63	Image Aspect Ratio(4:3)	4 3 4 : 3			
100	64	Low Refresh Rate #2(40Hz)	2 8 40			
101	65	Brightness(1/10nit)	0 F 15			
102	66	Feature flag(TN mode)	0 1 1			
103	67	Reserved 00h	0 0 0			
104	68	EISA manufacturer code(3 Character ID)	3 2	LPL		
105	69	Compressed ASCII	0 C			
106	6A	Panel Supplier Reserved - Product code	5 1			
107	6B	(Hex, LSB first)	1 3			

Product Specification

Byte# (decimal)	Byte# (HEX)	Field Name and Comments	Value (HEX)	Data	
108	6C	Detailed Timing Descriptor #4	0 0		Timing Description #4
109	6D		0 0		
110	6E		0 0		
111	6F		F E		
112	70		0 0		
113	71	L	4 C	L	
114	72	P	5 0	P	
115	73	1	3 1	1	
116	74	5	3 5	5	
117	75	0	3 0	0	
118	76	X	5 8	X	
119	77	0	3 0	0	
120	78	8	3 8	8	
121	79	-	2 D	-	
122	7A	T	5 4	T	
123	7B	L	4 C	L	
124	7C	A	4 1	A	
125	7D	8	3 8	8	
126	7E	Extension flag = 00	0 0		Extension Flag
127	7F	Checksum	3 F		Checksum