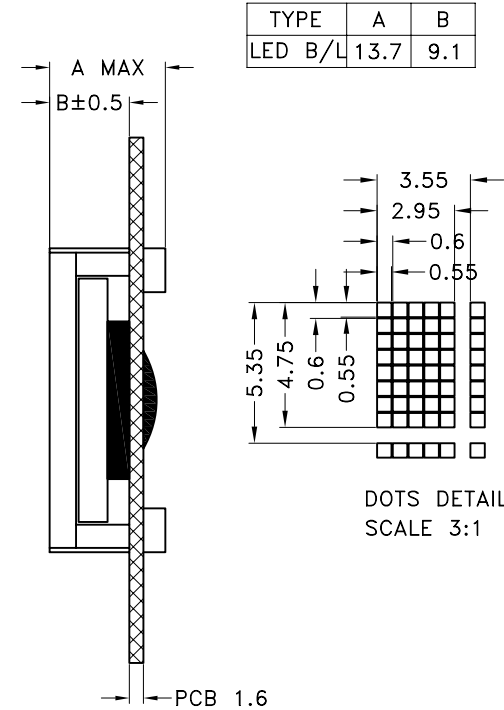
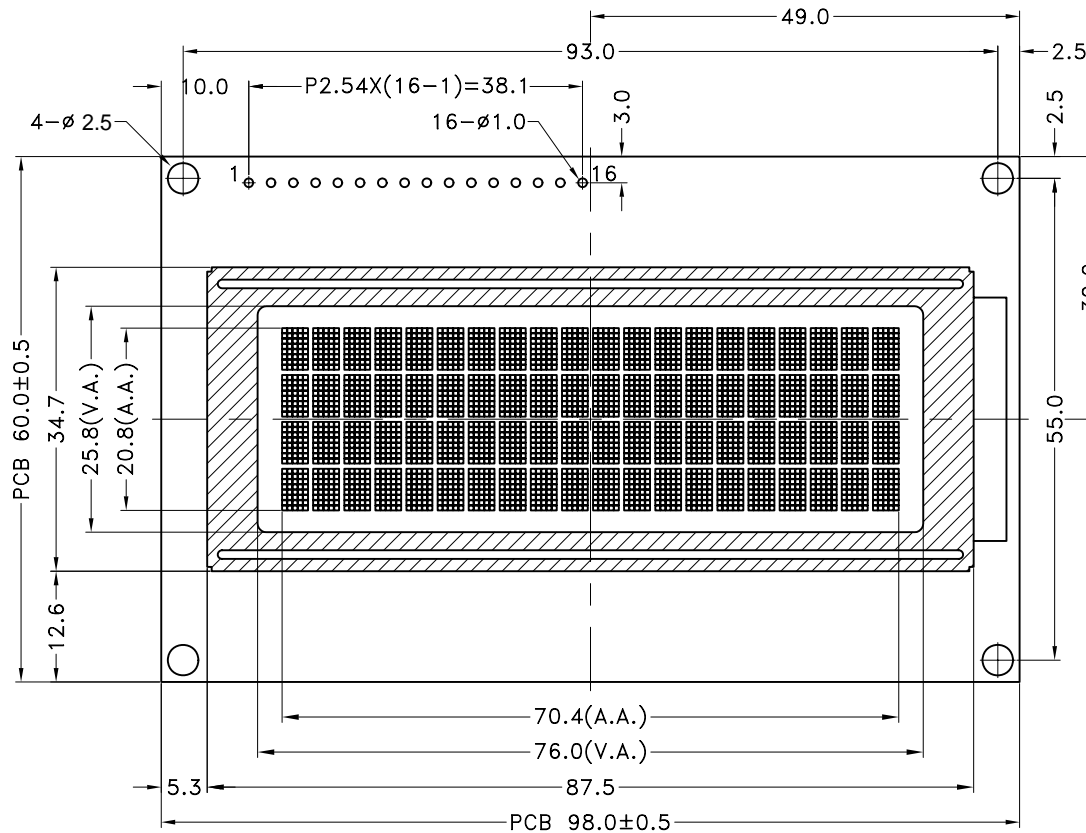


5		VERSION	CHANGE CONTENT	DATE
		V00	FIRST ISSUE	



TYPE	A	B
LED B/L	13.7	9.1

PIN	1	2	3	4	5	6	7	8	9	10	11	12	13	14	15	16
NAME	VSS	VDD	VO	RS	R/W	E	DB0	DB1	DB2	DB3	DB4	DB5	DB6	DB7	LED+	LED-

SPECIFICATIONS

1. DISPLAY TYPE: STN-YG / Transflective / Positive
 2. LCD DRIVING VOLTAGE: 4.7V
 3. LOGIC VOLTAGE: 5.0V
 4. VIEWING DIRECTION: 6 O'CLOCK
 5. OPERATING TEMP: -20° C~70° C
 6. STORANGE TEMP: -30° C~80° C
 7. DRIVE MODE: 1/16 DUTY,1/5 BIAS
 8. BACKLIGHT: YG/SIDE BACKLIGHT/5.0V
- OTHER:

MECHANICAL TOL.±0.2 UNLESS SPECIFIED

Model No.
MI2004J
MULTI-INNO