



ENGINEERING SPECIFICATIONS

TFT COLOR LCD MODULE

TM396WX-71N32

- **Light Weight**
- **Fast Response Time (Gray to Gray)**
 - 101 cm (39.6 inch) diagonal
 - XGA-Wide resolution (1280 x 768 pixels)
 - Wide View Angle (SVA Technology)
 - LVDS Interface (RGB x 8 bit x 1 channel)
 - Display Color: 16,777,216 colors (8 bit)
 - With CFL backlight unit and Inverter
 - Nonglare surface type

(PRELIMINARY)

Ver. 2

Aug. 8, 2003

SANYO Electric Co., Ltd.
Display Company
System Technology Business Unit

3-201, Minami-yoshikata, Tottori, 680-8634 Japan

TEL: 81-857-21-2941

FAX: 81-857-21-2162

Department Manager

N. OMOTE

NOTICES

1. The contents stated in this document and the product may be subject to change without prior notice.
When you kindly study to use this product, please ask our distributor or us for the latest information.
2. This product is developed and produced for usage onto normal electronic products (office automation equipments, communication peripherals, electric appliance products, game machines, etc.) and is not suitable for applications which need extremely high reliability and extreme safety (aero- or space-use machines, control equipments for nuclear power, life keeping equipments, etc.).
3. This document shall not grant or guarantee any right to adapt intellectual property or any other patents of third party.
4. Please use this product correctly according to operating conditions and precautions for use stated in this document.
Please install safety proof in your designing to avoid human accident, fire accident and social damage, which may be resulted from malfunction of this product.
5. This product is not designed to withstand against radiant rays.
6. It is strictly prohibited to copy or publish a part or whole of this document without our prior written approval.

REVISION HISTORY

DATE	REVISION NO.	PAGE	DESCRIPTIONS
June 2, 03	Ver. 1	-	Preliminary Release
Aug. 08, 03	Ver. 2	3	ELECTRICAL CHARACTERISTICS of LOGIC Addition of description about current capacity for VDD.
		3, 8	ELECTRICAL CHARACTERISTICS of LOGIC INTERFACE PIN CONNECTIONS of LOGIC Change of the SELLVDS Input maximum voltage (3.3V → 3.6V)
		4	INTERNAL PWM BRIGHTNESS CONTROL SEQUENCE REQUIREMENT Correction of the VDDB voltage (120V → 13V)
		5	OPTICAL CHARACTERISTICS Addition of maximum value and minimum value.
		6	OPTICAL CHARACTERISTICS Addition of description about Gray to gray response time definition.
		8	INTERFACE PIN CONNECTIONS of LOGIC Correction of the connector CN1 pin assignment (+/- → -/+)

MECHANICAL CHARACTERISTICS

Ta=25°C

ITEM	SPECIFICATION	UNIT
Module size	920.0(W) x 580.0(H) x 50.5 Max.(t)	mm
Resolution	1280 x RGB(W) x 768(H)	pixel
Sub pixel pitch	0.2245(W) x 0.6735(H)	mm
Pixel pitch	0.6735(W) x 0.6735(H)	mm
Active viewing area	862.080(W) x 517.248(H)	mm
Bezel opening area	866.7(W) x 524.4(H)	mm
Weight	(12500) Typ.	g

ELECTRICAL ABSOLUTE MAXIMUM RATINGS

Ta=25°C

ITEM	SYMBOL	MIN	MAX	UNIT	NOTE
Power supply voltage	VDD-VSS	-0.3	6.0	V	Logic
	VDD-B-VSS	0.0	17.0	V	Inverter
Input voltage	VI	VSS -0.3	VSS +3.8	V	Logic
	VIB	VSS -0.3	VSS +7.0	V	Inverter

ENVIRONMENTAL ABSOLUTE MAXIMUM RATINGS

ITEM	SYMBOL	CONDITIONS	MIN	MAX	UNIT	NOTE
Ambient temperature	TST	Storage	-20	60	°C	Note 1
	TOP	Operation	0	50		
Humidity	-	Ta=40°C Max.	-	85	%RH	No condensation Note 2
Vibration	-	Storage	-	1.5	G	Note 3
Shock	-	Storage	-	50	G	XYZ 11ms/direction

[Note 1] Care should be taken so that the LCD module may not be subjected to the temperature beyond this specification.

[Note 2] Ta>40°C: Absolute humidity shall be less than that of 85%RH/40°C.

[Note 3] 10-200Hz, 30min/cycle, X/Y/Z each one cycle and except for resonant frequency.

ELECTRICAL CHARACTERISTICS of LOGIC

fCLK=67MHz, fH=49kHz, fV=60Hz, Ta=25°C

ITEM	SYMBOL	CONDITIONS	MIN	TYP	MAX	UNIT	NOTE
Power supply voltage	VDD-VSS		4.5	5.0	5.5	V	
Power supply current	IDD	Note 1	-	(700)	(1500)	mA	VDD=5.0V
SELLVDS Input voltage	VIH	High level	2.0	-	3.6	V	VDD= 4.5 ~ 5.5V
	VIL	Low level	VSS	-	0.8		
LVDS Input logic voltage	VTH	High level	-	-	+100	mV	VDD=5.0V (VCM=1.25V)
	VTL	Low level	-100	-	-		
LVDS Input common mode voltage	VCM		1.0	1.25	2.0	V	VDD=5.0V
LVDS input termination resistor	RT		-	100	-	Ω	Internal

[Note 1] Display pattern of typical power supply current is 256 gray scale bar.

[Note 2] This module has a current fuse TF16N3.15 (3.15A, KOA corp.) in VDD power line. For your VDD power source, enough current capacity is necessary to blow this fuse in case of a trouble. If the current capacity is not enough, the over current protector is necessary.

ELECTRICAL CHARACTERISTICS of INVERTER

This module has two inverters. The characteristics of single inverter are shown below.

Ta=25°C

ITEM	SYMBOL	CONDITIONS	MIN	TYP	MAX	UNIT	NOTE
Power supply voltage	VDDDB-VSS		(13.0)	-	(15.0)	V	
Power supply current	IDDB	Max. Brightness	(5000)	(6000)	(7000)	mA	VDDDB =14V
		Min. Brightness	(1000)	(2000)	(3000)		
Operating frequency	FO	Max. Brightness	(54)	(60)	(66)	kHz	
Internal PWM frequency	FBI		(250)	(270)	(290)	Hz	
Backlight ON/OFF control (BLTC) voltage	ON	VHBLTC	or Open	2.0	-	5.0	V
	OFF	VLBLTC		0.0	-	0.8	
Backlight ON/OFF control (BLTC) current	IBLTC		-1.0	-	1.5	mA	
Brightness control (BRT2) voltage	Max.	VHBRT2	BRT1=VSS	-	1.0	-	V
	Min.	VLBRT2		-	0.0	-	
Brightness control (BRT2) current	IBRT2		-1.0	-	1.5	mA	

[Note 1] The measurement is a result after 15 minutes of lighting.

[Note 2] The current capacity of power source for one inverter should be 20A or higher. When power source capacity is lower, the protector circuit in inverter may not operate in case of a trouble. Therefore total current capacity of power source for this LCD module should be 40A or higher, because this module has two inverters. If the power source of current capacity is under above value, the protector circuit such as shutdown circuit at over current occurrence is necessary in power source.

[Note 3] The inverter generates heat at Backlight ON and causes temperature rise. Therefore, take necessary heat radiating design to meet the specified operating temperature range for LCD module inside your system.

[Note 4] Backlight driving conditions (lamp operating frequency FO especially) may interfere with horizontal frequency fH, causing the beat or flicker on the display. Therefore the horizontal frequency fH shall be adjusted in relation to lamp operating frequency FO to avoid interference.

BACKLIGHT ON/OFF CONTROL (BLTC) FUNCTIONS

ITEM	INPUT	FUNCTION
BLTC	High level or Open	Backlight ON
	Low level	Backlight OFF

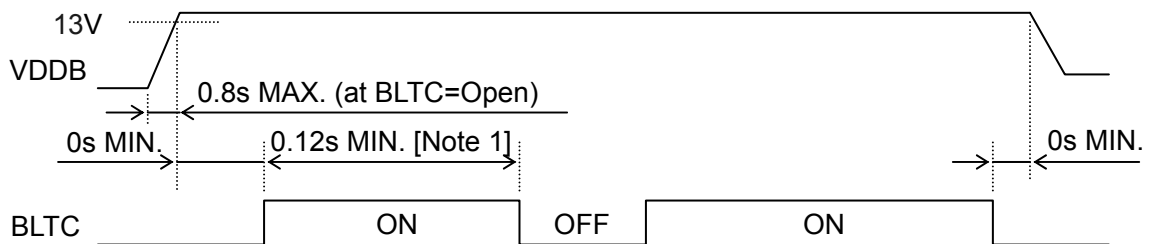
[Note 1] The function of BLTC is valid when Backlight power is ON.

BRIGHTNESS CONTROL (BRT1, BRT2) FUNCTIONS

ITEM	INPUT	FUNCTION
BRT1 BRT2	Voltage Control: Brightness can be controlled by the value of input voltage between BRT1 and BRT2. BRT1: should be fixed to VSS BRT2: should be applied variable voltage	Voltage value: 0V: Minimum Brightness 1V: Maximum Brightness

[Note 1] When the VDDB and BLTC are OFF, BRT2 should not be applied voltage.

INTERNAL PWM BRIGHTNESS CONTROL SEQUENCE REQUIREMENT



[Note 1] When the period of BLTC=H is under 120ms, Backlight isn't turned on normally because rush current prevention circuit functions.

Therefore, the period of BLTC=H should be more than 120ms.

LAMP LIFE

This module has the direct type backlight with 32 cold cathode fluorescent Lamps (CCFL). The life time of single Lamp is shown below.

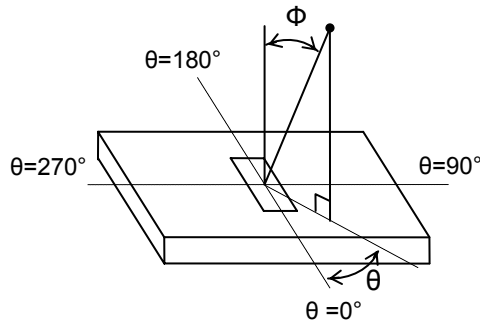
ITEM	SYMBOL	CONDITIONS	MIN	TYP	MAX	UNIT	NOTE
Lamp Life	tOL	Ta=25±2°C Max. Brightness	50000	-	-	hrs	

OPTICAL CHARACTERISTICS

VDD=5.0V, fCLK=67MHz, fH=49kHz, fV=60Hz, Ta=25°C

ITEM	SYMBOL	CONDITIONS	MIN	TYP	MAX	UNIT	NOTE	
Brightness	B	$\Phi = 0^\circ$	(350)	(500)	-	cd/m ²	Note 4,8	
Brightness uniformity	δB	$\Phi = 0^\circ$	-	-	1.30	-	Note 5,6,8	
Contrast ratio	CR	$\Phi = 0^\circ$	(400)	600	-	-	Note 2,4,8	
Viewing angle range	Φ	CR>10	$\theta = 0^\circ$	70	85	-	deg.	Note 1,2,4,8
			$\theta = 90^\circ$	70	85	-		
			$\theta = 180^\circ$	70	85	-		
			$\theta = 270^\circ$	70	85	-		
Response time	Rise	tr	$\Phi = 0^\circ$	-	14	(40)	ms.	Note 3,4,8.9
	Fall	tf		-	8	(20)		
	Gray to gray	-		(8)	-			
Color of CIE Coordinate	Red	x	$\Phi = 0^\circ$	(0.61)	(0.66)	(0.71)	-	Note 4,8
		y		(0.28)	(0.33)	(0.38)		
	Green	x		(0.24)	(0.29)	(0.34)		
		y		(0.55)	(0.60)	(0.65)		
	Blue	x		(0.09)	(0.14)	(0.19)		
		y		(0.01)	(0.06)	(0.11)		
	White	x		(0.25)	(0.28)	(0.31)		
		y		(0.26)	(0.29)	(0.32)		
Color gamut	C	$\Phi = 0^\circ$, to NTSC	-	75	-	%	Note 4,8	

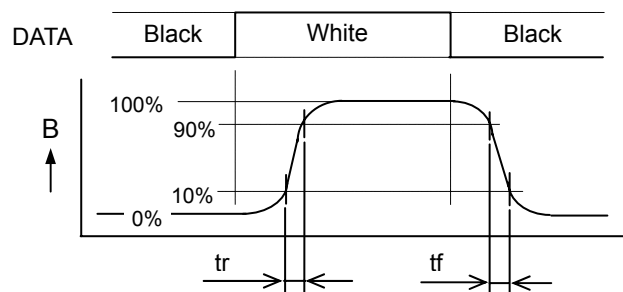
[Note 1] Definition of “ Φ ” and “ θ ”



[Note 2] Definition of Contrast ratio “CR”

$$CR = \frac{\text{Brightness at White}}{\text{Brightness at Black}}$$

[Note 3] Definition of Response time “tr” and “tf”



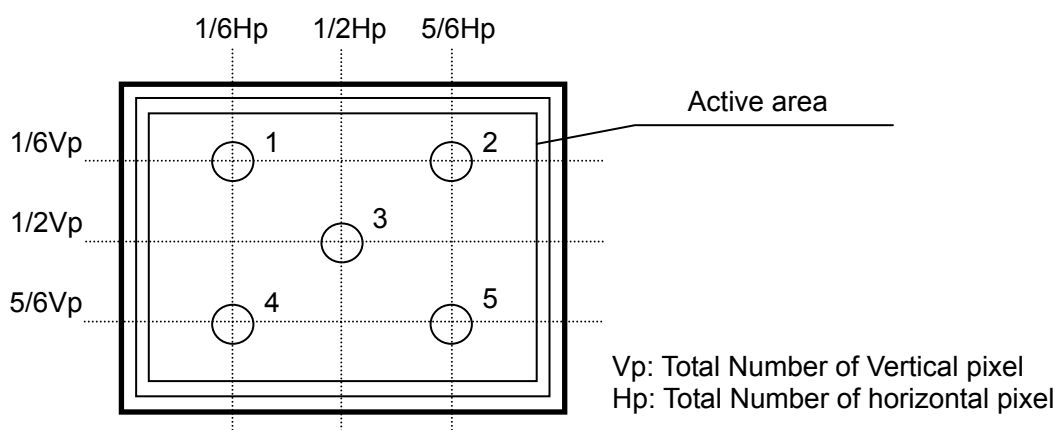
[Note 4] This shall be measured at center (point No.3 shown in Note 7).

[Note 5] This shall be measured at five points shown in Note 7.

[Note 6] Definition of Brightness uniformity “ δB ”

$$\delta B = \frac{\text{Maximum brightness of five points}}{\text{Minimum brightness of five points}}$$

[Note 7] Measurement points

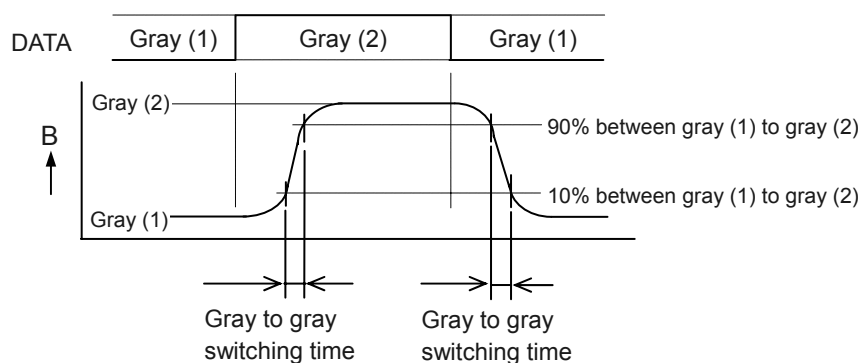


[Note 8] Measurement condition

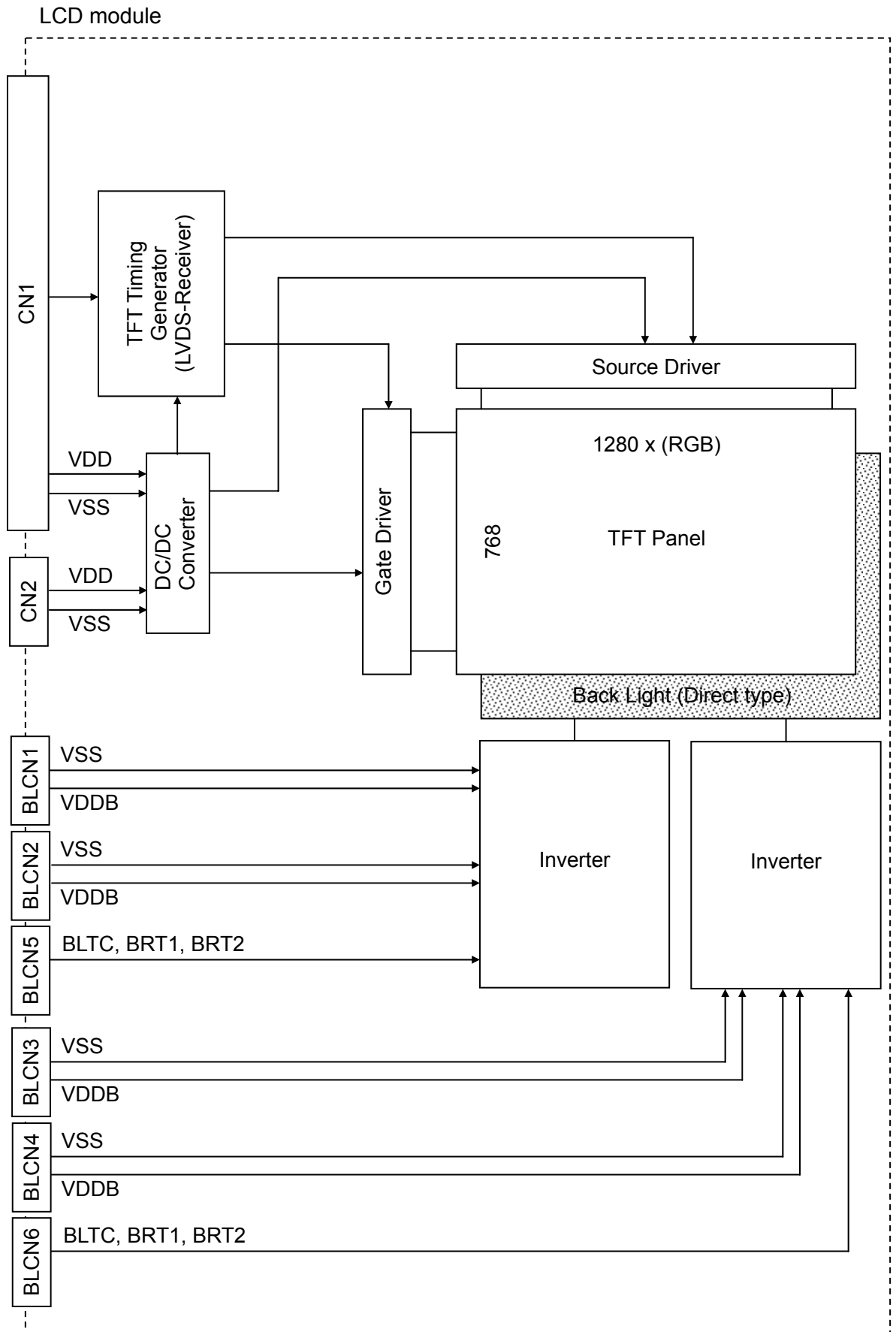
- (1) Measurement equipment: BM-5A (TOPCON Corp.), Field=2°
- (2) Ambient temperature Ta: 25±2°C
- (3) LCD: All pixels are White or Black or Red or Green or Blue, VDD=5.0V, fCLK=67MHz, fH=49kHz, fV=60Hz
- (4) Measure after 30 minutes of Lamp warm up.
- (5) Inverter input: VDDB=14V, Maximum Brightness

[Note 9] Definition of Gray to gray response time

Gray to gray response time is the average of each gray to gray switching time.



BLOCK DIAGRAM



INTERFACE PIN CONNECTIONS of LOGIC

LCM : CN1

PIN NO.	SYMBOL	FUNCTION
1	NC	No Connection (Reserved)
2	NC	No Connection (Reserved)
3	NC	No Connection (Reserved)
4	VSS	Power Ground
5	RX0-	Positive LVDS Differential Data Input
6	RX0+	Negative LVDS Differential Data Input
7	VSS	Power Ground
8	RX1-	Positive LVDS Differential Data Input
9	RX1+	Negative LVDS Differential Data Input
10	VSS	Power Ground
11	RX2-	Positive LVDS Differential Data Input
12	RX2+	Negative LVDS Differential Data Input
13	VSS	Power Ground
14	RXCLK-	Positive LVDS Differential Data Input
15	RXCLK+	Negative LVDS Differential Data Input
16	VSS	Power Ground
17	RX3-	Positive LVDS Differential Data Input
18	RX3+	Negative LVDS Differential Data Input
19	VSS	Power Ground
20	NC	No Connection (Reserved)
21	NC	No Connection (Reserved)
22	NC	No Connection (Reserved)
23	VSS	Power Ground
24	VSS	Power Ground
25	SELLVDS	Select LVDS Data Assignment (Pull Down, 3.6V MAX.)
26	VDD	Logic Power Supply (5.0V normal)
27	VDD	Logic Power Supply (5.0V normal)
28	VDD	Logic Power Supply (5.0V normal)
29	VDD	Logic Power Supply (5.0V normal)
30	NC	No Connection (Reserved)

CN1: DF14A-30P-1.25H (HIROSE)

Suitable mating connector: DF14-30S-1.25C (HIROSE)

[Note 1] Internal termination resistors of LVDS input lines are 100Ω.

LCM : CN2

PIN NO.	SYMBOL	FUNCTION
1	VDD	Logic Power Supply (5.0V normal)
2	VDD	Logic Power Supply (5.0V normal)
3	VDD	Logic Power Supply (5.0V normal)
4	VDD	Logic Power Supply (5.0V normal)
5	VDD	Logic Power Supply (5.0V normal)
6	VDD	Logic Power Supply (5.0V normal)
7	VSS	Power Ground
8	VSS	Power Ground
9	VSS	Power Ground
10	VSS	Power Ground
11	VSS	Power Ground
12	VSS	Power Ground

CN1: 53261-1290 (MOLEX)

Suitable mating connector: 51021-1200 (MOLEX)

[Note 1] The current capacity of the cable connected with VDD input pin of connector CN1 isn't enough, Connector CN2 should be used.

INTERFACE PIN CONNECTIONS of INVERTER

Inverter: BLCN1, BLCN2, BLCN3, BLCN4

PIN NO.	SYMBOL	FUNCTION
1	VSS	Power Ground
2	VSS	Power Ground
3	VSS	Power Ground
4	VSS	Power Ground
5	VSS	Power Ground
6	VDDDB	Backlight Power Supply (14.0V normal)
7	VDDDB	Backlight Power Supply (14.0V normal)
8	VDDDB	Backlight Power Supply (14.0V normal)
9	VDDDB	Backlight Power Supply (14.0V normal)
10	VDDDB	Backlight Power Supply (14.0V normal)

BLCN1, BLCN2, BLCN3, BLCN4: DF3-10P-2H (HIROSE)
Suitable mating connector: DF3-10S-2C (HIROSE)

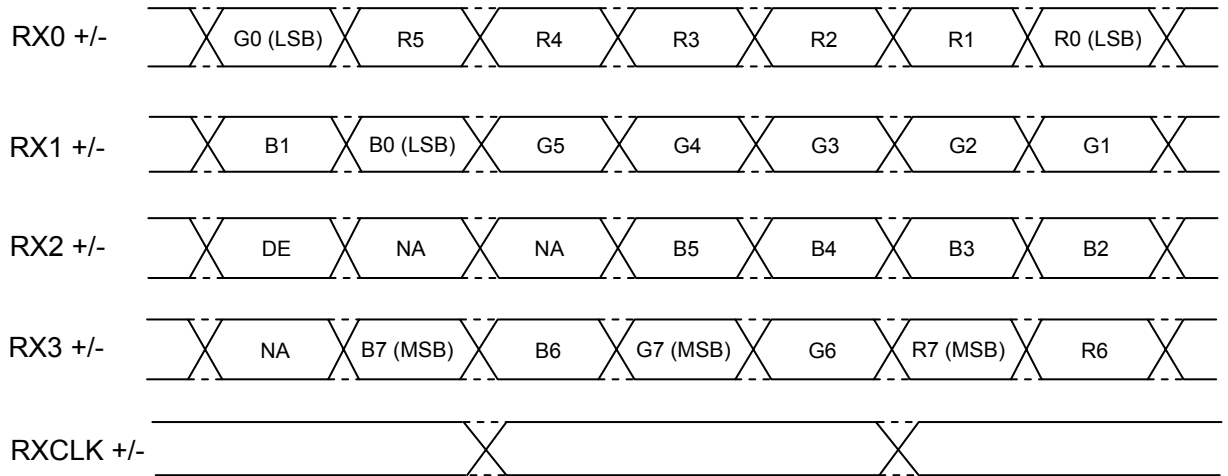
Inverter : BLCN5, BLCN6

PIN NO.	SYMBOL	FUNCTION
1	VSS	Power Ground
2	VSS	Power Ground
3	NC	No Connection
4	BLTC	Backlight ON/OFF control
5	BRT1	Internal PWM Brightness Control 1
6	BRT2	Internal PWM Brightness Control 2
7	NC	No Connection
8	VSS	Power Ground
9	NC	No Connection

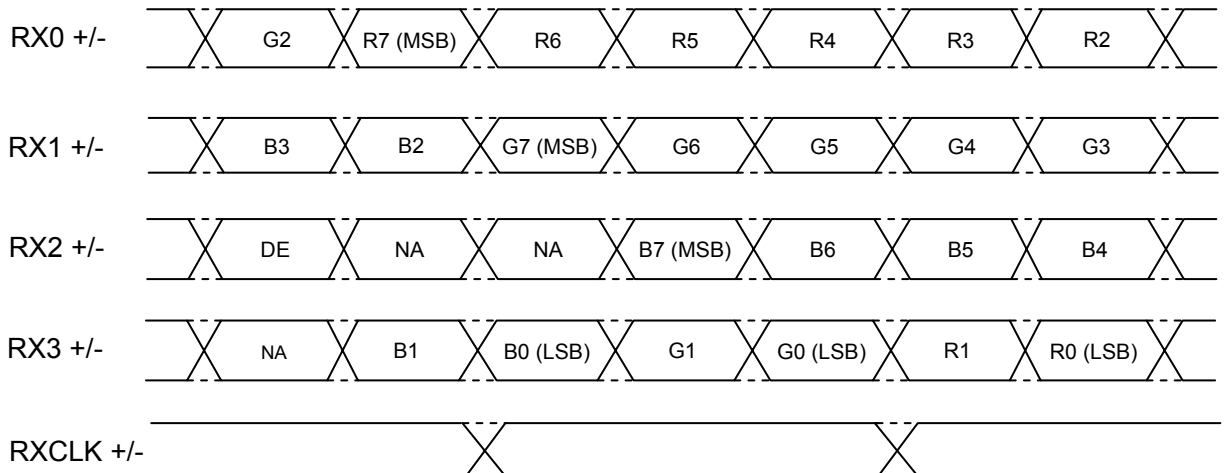
BLCN5, BLCN6: IL-Z-9PL-SMTY (JAE)
Suitable mating connector: IL-Z-9S-S125C3 (JAE)

LVDS DATA ASSIGNMENT

SELLVDS = Low (VSS) or Open



SELLVDS = High (3.3V)



INTERFACE SIGNALS

SIMBOL	FUNCTION
DCLK	Data Clock
DE	Data Enable (Positive)
R0	Red Data 0 (LSB)
R1	Red Data 1
R2	Red Data 2
R3	Red Data 3
R4	Red Data 4
R5	Red Data 5
R6	Red Data 6
R7	Red Data 7 (MSB)
G0	Green Data 0 (LSB)
G1	Green Data 1
G2	Green Data 2
G3	Green Data 3
G4	Green Data 4
G5	Green Data 5
G6	Green Data 6
G7	Green Data 7 (MSB)
B0	Blue Data 0 (LSB)
B1	Blue Data 1
B2	Blue Data 2
B3	Blue Data 3
B4	Blue Data 4
B5	Blue Data 5
B6	Blue Data 6
B7	Blue Data 7 (MSB)

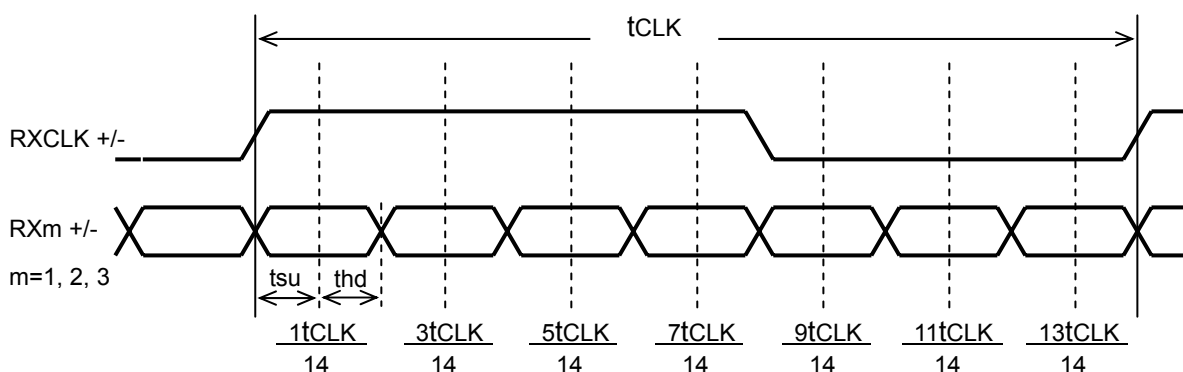
[Note 1] The valid synchronous signals are only DCLK and DE.
The synchronous signals HSYNC and VSYNC are invalid.

[Note 2] INTERFACE SIGNALS are loaded from LVDS-transmitter to TFT Timing generator with LVDS sequence. (See ***BLOCK DIAGRAM.***)

INTERFACE (LVDS) SIGNAL TIMING PARAMETERS

PARAMETER	SYMBOL	CONDITIONS	MIN	TYP	MAX	UNIT
Input Data Setup/ Hold Time	tsu1	fCLK=74MHz	390	-	-	ps
	thd1	tCLK=13.5ns	375	-	-	
	tsu2	fCLK=67MHz	420	-	-	
	thd2	tCLK=14.9ns	400	-	-	
	tsu3	fCLK=60MHz	500	-	-	
	thd3	tCLK=16.7ns	485	-	-	

[Note 1] In the following timing waveform, the imaginary strobe point which is sampling position of LVDS input data signal is $(n \times t_{CLK})/14$, where n is even value. For this imaginary strobe point, data setup time is t_{su} and data hold time is t_{hd} , respectively.



CYCLE JITTER of LVDS CLOCK

PARAMETER	SYMBOL	MIN	TYP	MAX	UNIT	NOTE
P-P of jitter / 100 cycles	tcj1	-	-	250	ps	Note 1
Jitter rate	tcj2	-	-	25	ps/cycle	

[Note 1] Please confirm $tcj2$ (Jitter rate), only if $tcj1$ (P-P of jitter/100cycles) exceeds 250ps.

[Additional explanation]

Right diagram shows the example of CYCLE JITTER of LVDS CLOCK.

According to this diagram, t_{CLK} MIN. is 15.0ns and t_{CLK} MAX. is 15.42ns between 0nc and 100nc. The $tcj1$ (P-P of jitter / 100 cycles) in this sphere is

$$tcj1 = 15.42 - 15.0 = 0.42 \text{ ns}$$

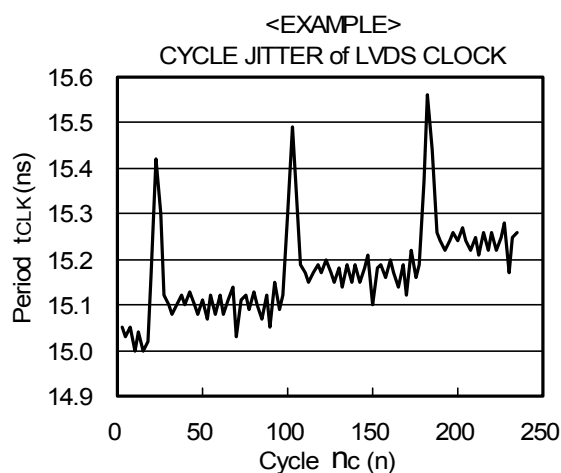
and out of specification (250ps MAX.). So, it is necessary to measure $tcj2$ (jitter rate) and to judge whether it conform to above specification.

According to the diagram, the sharpest fluctuation of t_{CLK} is 0.4ns per 5nc. So that, the $tcj2$ in this sphere is

$$tcj2 = 0.4/5 = 0.08 \text{ ns/cycle}$$

and larger than specification (25ps/cycle MAX.).

In conclusion, normal function of the LCD module can not be assured in this case.



INTERFACE SIGNAL TIMING PARAMETERS (DE_MODE)

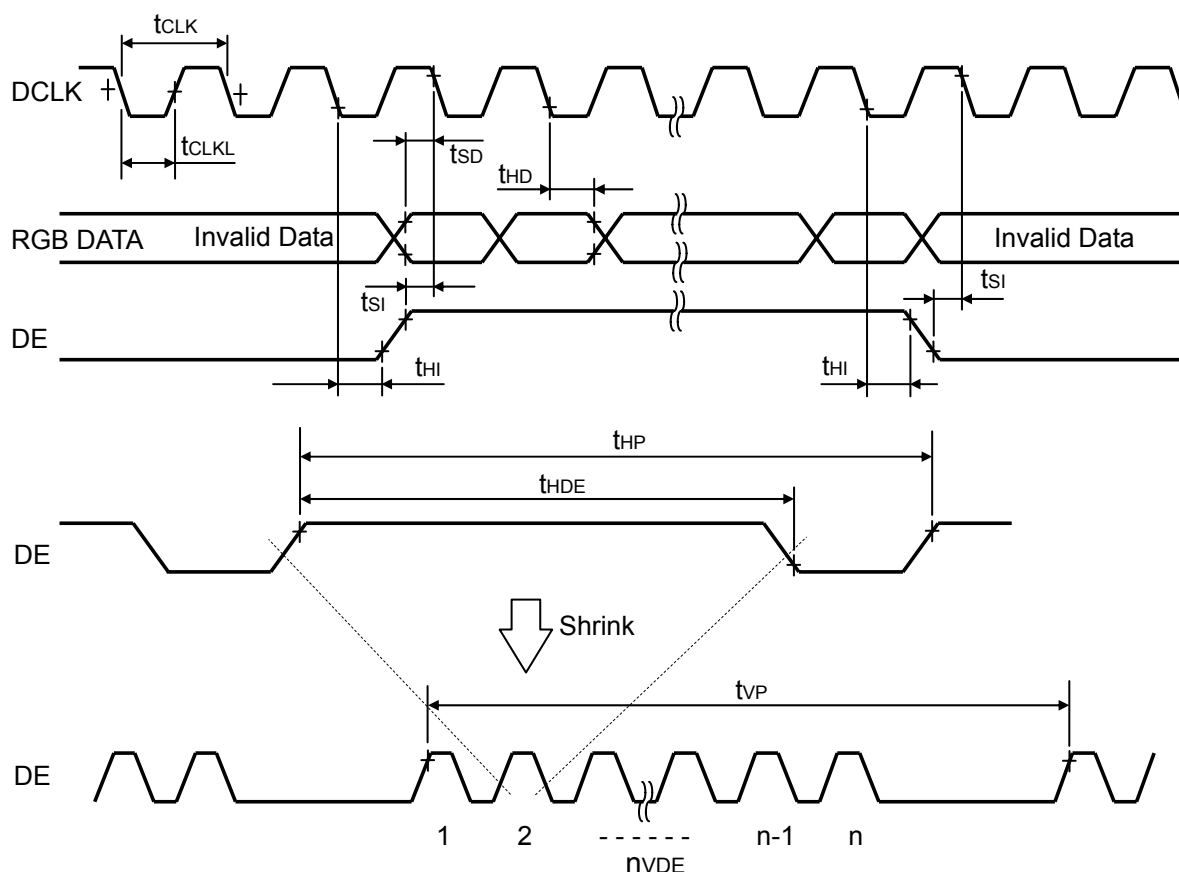
PARAMETER		SYMBOL	MIN	TYP	MAX	UNIT	NOTE
DCLK	Frequency	f _{CLK}	(60)	67	(74)	MHz	f _{CLK} =1/t _{CLK}
DE	Horiz. Period	t _{HP}	1380	1380	1500	t _{CLK}	
	Horiz. DE	t _{HDE}	1280	1280	1280	t _{CLK}	
	Horiz. Frequency	f _H	(44)	49	(53)	kHz	f _H = 1/t _{HP}
	Vert. Period	t _{VP}	780	806	830	t _{HP}	f _V =60Hz Typ.
	Vert. DE	n _{VDE}	768	768	768	n	
	Vert. Frequency	f _V	(54)	60	(66)	Hz	f _V = 1/t _{VP}

[Note 1] The relations between Horizontal period (t_{HP}) and Horizontal DE (t_{HDE}) must be kept t_{HP} ≥ t_{HDE}+100 [t_{CLK}].

[Note 2] These signal timing parameters are specified at the digital inputs of LVDS transmitter.

[Note 3] The values in this table only show the normal operating conditions of internal logic circuit, and it does not assure the conditions for appearance and display quality. The conditions for appearance and display quality are shown in the inspection standard separately.

INTERFACE SIGNAL TIMING DIAGRAM (DE_MODE)



RELATIONSHIP BETWEEN INPUT DATA AND DISPLAY COLOR

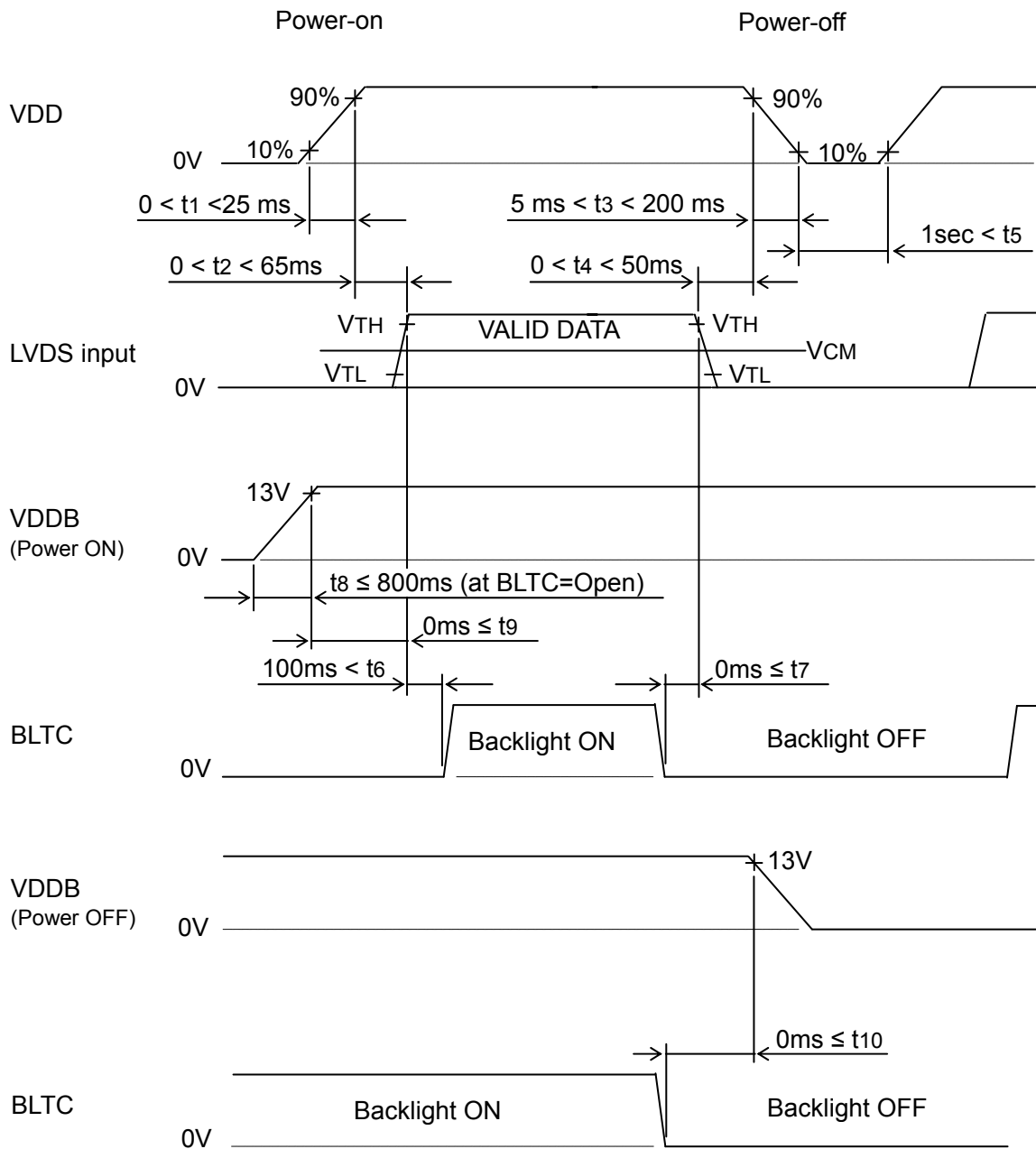
DISPLAY COLOR	INPUT DATA	RED DATA								GREEN DATA								BLUE DATA							
		MSB				LSB				MSB				LSB				MSB				LSB			
		R7	R6	R5	R4	R3	R2	R1	R0	G7	G6	G5	G4	G3	G2	G1	G0	B7	B6	B5	B4	B3	B2	B1	B0
BASIC COLOR	BLACK	L	L	L	L	L	L	L	L	L	L	L	L	L	L	L	L	L	L	L	L	L	L	L	L
	RED(255)	H	H	H	H	H	H	H	H	L	L	L	L	L	L	L	L	L	L	L	L	L	L	L	L
	GREEN(255)	L	L	L	L	L	L	L	L	L	H	H	H	H	H	H	H	L	L	L	L	L	L	L	L
	BLUE(255)	L	L	L	L	L	L	L	L	L	L	L	L	L	L	L	L	H	H	H	H	H	H	H	H
	CYAN	L	L	L	L	L	L	L	L	H	H	H	H	H	H	H	H	H	H	H	H	H	H	H	H
	MAGENTA	H	H	H	H	H	H	H	H	L	L	L	L	L	L	L	L	H	H	H	H	H	H	H	H
	YELLOW	H	H	H	H	H	H	H	H	H	H	H	H	H	H	H	H	L	L	L	L	L	L	L	L
	WHITE	H	H	H	H	H	H	H	H	H	H	H	H	H	H	H	H	H	H	H	H	H	H	H	H
RED	BLACK	L	L	L	L	L	L	L	L	L	L	L	L	L	L	L	L	L	L	L	L	L	L	L	
	RED(1)	L	L	L	L	L	L	L	H	L	L	L	L	L	L	L	L	L	L	L	L	L	L	L	
	RED(2)	L	L	L	L	L	L	H	L	L	L	L	L	L	L	L	L	L	L	L	L	L	L	L	
	:	:								:								:							
	RED(253)	H	H	H	H	H	H	L	H	L	L	L	L	L	L	L	L	L	L	L	L	L	L	L	
	RED(254)	H	H	H	H	H	H	H	L	L	L	L	L	L	L	L	L	L	L	L	L	L	L	L	L
	RED(255)	H	H	H	H	H	H	H	L	L	L	L	L	L	L	L	L	L	L	L	L	L	L	L	L
	GREEN	BLACK	L	L	L	L	L	L	L	L	L	L	L	L	L	L	L	L	L	L	L	L	L	L	L
GREEN(1)		L	L	L	L	L	L	L	L	L	L	L	L	L	L	H	L	L	L	L	L	L	L	L	
GREEN(2)		L	L	L	L	L	L	L	L	L	L	L	L	L	H	L	L	L	L	L	L	L	L	L	
:		:								:								:							
GREEN(253)		L	L	L	L	L	L	L	L	H	H	H	H	H	H	L	H	L	L	L	L	L	L	L	
GREEN(254)		L	L	L	L	L	L	L	L	H	H	H	H	H	H	H	L	L	L	L	L	L	L	L	
GREEN(255)		L	L	L	L	L	L	L	L	H	H	H	H	H	H	H	L	L	L	L	L	L	L	L	
BLUE		BLACK	L	L	L	L	L	L	L	L	L	L	L	L	L	L	L	L	L	L	L	L	L	L	L
	BLUE(1)	L	L	L	L	L	L	L	L	L	L	L	L	L	L	L	L	L	L	L	L	L	L	H	
	BLUE(2)	L	L	L	L	L	L	L	L	L	L	L	L	L	L	L	L	L	L	L	L	L	H	L	
	:	:								:								:							
	BLUE(253)	L	L	L	L	L	L	L	L	L	L	L	L	L	L	L	L	H	H	H	H	H	H	L	
	BLUE(254)	L	L	L	L	L	L	L	L	L	L	L	L	L	L	L	L	H	H	H	H	H	H	L	
	BLUE(255)	L	L	L	L	L	L	L	L	L	L	L	L	L	L	L	L	H	H	H	H	H	H	H	

[Note 1] Color(n) --- 'n' indicates gray scale step.

RELATIONSHIP BETWEEN INPUT DATA AND DISPLAY POSITION

1.1	1.2	1.3	1.1279	1.1280	
2.1	2.2					2.1280
3.1						
.						
.						
.						
			Vp. Hp	R	G	B
767.1					767.1280	
768.1	768.2	768.1279	768.1280		

POWER ON/OFF SEQUENCE REQUIREMENT



When the VDD is off, LVDS input must be kept at either low level or high impedance.

Inverter (backlight) ON/OFF sequence is not related LVDS sequence, however it is recommended to consider some timing difference between logic input as shown above.

If backlight lights on before LCD starts function, or if backlight is kept on after LCD stopped function, screen may look white for a moment or abnormal image may be displayed.

This is caused by variation in output signal from timing generator at LVDS input on or off. It does not cause damage to liquid crystal molecule and driving circuit.

PRECAUTIONS (INSTRUCTIONS FOR SAFE AND PROPER USE)

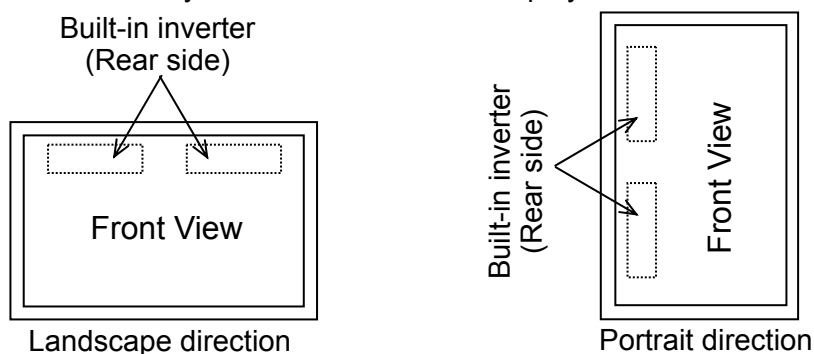
1. Instructions for safety

- (1) Please do not disassemble or modify LCD module to avoid the possibility of electric shock, damage of electronic components, scratch at display surface and invasion of foreign particles. In addition, such activity may result in fire accident due to burning of electronic component.
LCD module disassembled or modified by customer is out of warranty.
- (2) Please be careful in handling of LCD module with broken glass.
When the display glass breaks, please pay attention not to injure your fingers. The display surface has the plastic film attached, which prevents dispersion of glass pieces, however touching broken edge will injure your fingers. Also Lamp (Cold Cathode Fluorescent Lamp) is made of glass, therefore please pay attention in the same way.
- (3) Please do not touch the fluid flown out of broken display glass.
If the fluid should stick to hand or clothes, wipe off with soap or alcohol immediately and then wash it with water. If the fluid should get in eyes, wash eyes immediately with pure water for more than 15 minutes and then consult the doctor.
- (4) Lamp contains mercury inside. Please follow regulations or rules established by local autonomy at its disposal.
- (5) Please be careful to electric shock.
Before handling LCD module, please switch off the power supply.
Since high voltage is applied to Lamp terminal, cable, connector and inverter circuit in operation mode, touching them will cause electric shock.

2. Instructions for designing

- (1) Mounting of LCD
Please fix LCD module at all mounting holes and all mounting flanges shown in this specification for installation onto system. The used screws should have proper dimensions.
Furthermore, designing of mounting parts should be adequate so that LCD module is not warped or twisted, to achieve good display quality.
- (2) Heat radiation
Lamp generates heat at lighting and causes temperature rise inside system. Therefore, designing to radiate heat like radiation slits at cabinet is recommended to meet the specified operating temperature range for LCD module.
- (3) Noise on power line
Spike noise contained in power line causes abnormal operation of driving circuit and abnormal display. To avoid it, spike noise should be suppressed below $VDD \pm 100mVp-p$. (In any case, absolute maximum rating should be kept.)
- (4) Power sequence
Before LCD module is switched on, please make sure that power supply and input signals of system, testing equipment, etc. meet the recommended power sequence.
- (5) Absolute maximum rating
Absolute maximum rating specified in this specification has to be kept in any case. It shows the maximum that cannot be exceeded.
Exceeding it may cause burning or non-recoverable break of electronic components in circuit. Please make system design so that absolute maximum rating is not exceeded even if ambient temperature, input signal and components are varied.

- (6) Protection for power supply
Please study to adapt protection for power supply against trouble of LCD module, depending on usage condition of system. Fuse installed on LCD module should be never modified. Any modification to make the function of fuse ineffective may cause burning or break of printed wiring board or other components at circuit trouble.
- (7) Protection against electric shock
High voltage is applied to Lamp connector, inverter circuit and Lamp at lighting. Please make design not to expose or be accessible to such high voltage parts to avoid electric shock.
- (8) Protection cover and cut-off filter for ultraviolet rays
When LCD module is used under severe condition like outdoor, it is recommended to use transparent protection cover over display surface to avoid scratches and invasion of dust and water. In addition, when LCD module is exposed to direct sun light for long time, use of cut-off filter for ultraviolet rays is also recommended. Please be careful not to get condensation.
- (9) Power supply for inverter
If LCD display turned into reddish screen or remarkable brightness decreases by the end of CFL life, please make a consideration of design that the backlight is turned off immediately.
- (10) Setting direction of LCD
Please install this LCD module in the following direction onto your system. Setting in the other direction may cause the un-uniform display.



3. Instructions for use and handling

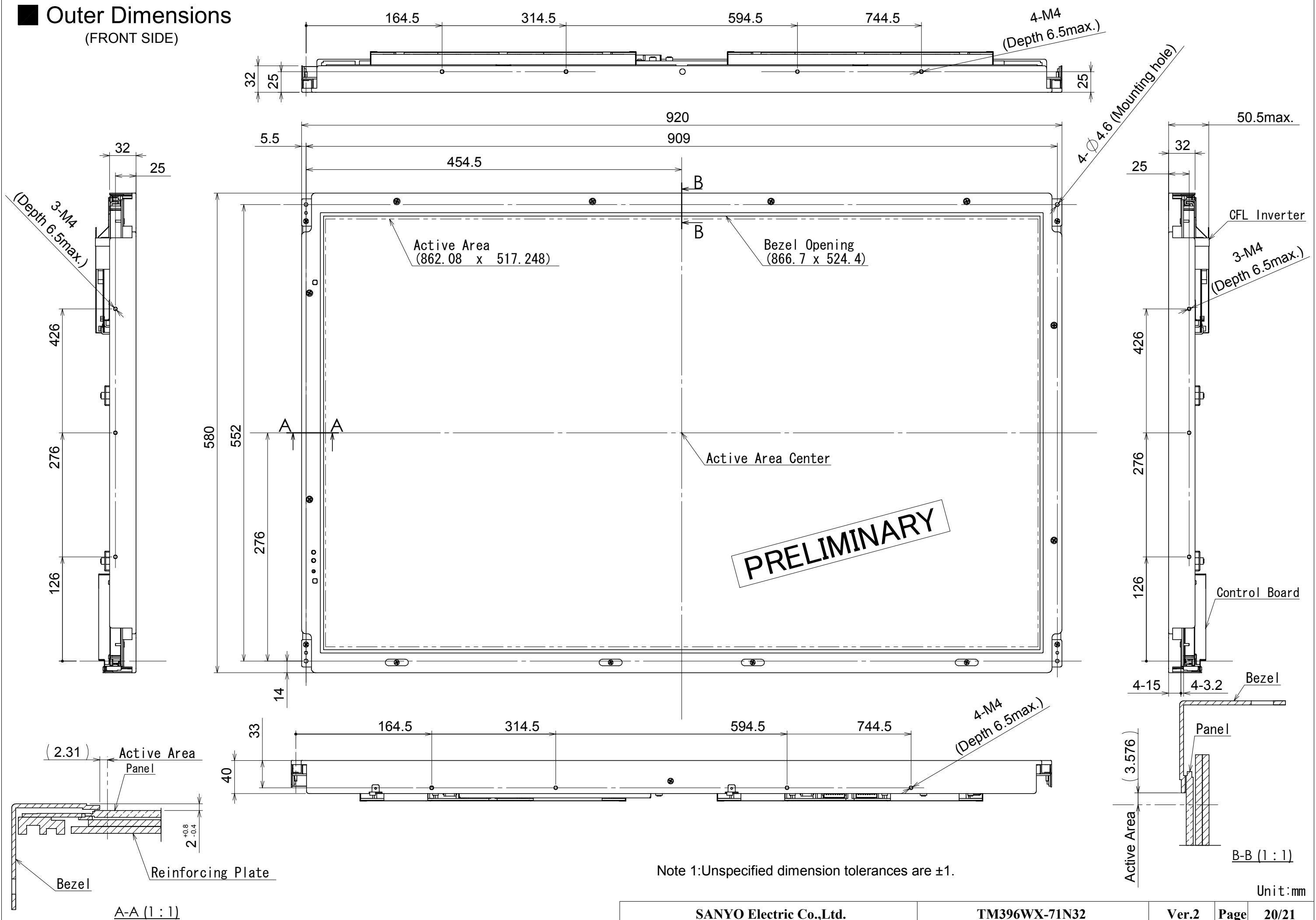
- (1) Protection against Static electricity
C-MOS LSI and semiconductors are easily damaged by static discharge. LCD module should be handled on conductive mat by person grounded with wrist strap etc. to avoid getting static electricity. Please be careful not to generate static electricity during operation.
- (2) Protection against dust and stain
LCD module should be handled in circumstance as clean as possible. It is recommended to wear fingerstalls or ductless and soft gloves before handling to avoid getting dust or stain on display surface.
- (3) Protection film for display surface
It is recommended to remove protection film at nearly final process of assembling to avoid getting scratch or dust. To remove film, please pick up its edge with dull-head tweezers or cellophane tape at first and then remove film gradually taking more than 3 seconds. If film is removed quickly, static electricity may be generated and may damage semiconductors or electronic components.
- (4) Contamination of display surface
When display surface of LCD module is contaminated, please wipe the surface softly with cotton swab or clean cloth. If it is not enough, please take it away with cellophane tape or wipe the surface with cotton swab or clean cloth containing benzene. In this case, please be careful so that benzene does not get in inside of LCD module, because it may be damaged.

- (5) Water drop on LCD surface
Please do not leave LCD module with water drop. When the display surface gets water drop, please wipe it off with cotton swab or soft cloth immediately, otherwise display surface will be deteriorated.
If water gets in inside of LCD module, circuit may be damaged.
- (6) Please make sure that LCD module is not warped or twisted at installation into system. Even temporary warp or twist may be the cause for failure.
- (7) Mechanical stress
Please be careful not to apply strong mechanical stress like drop or shock to LCD module. Such stress may cause break of display glass and Lamp or may be the cause for failure.
- (8) Pressure to display surface
Please be careful not to apply strong pressure to display surface. Such pressure may cause scratches at surface or may be the cause of failure.
- (9) Protection against scratch
Please be careful not to hit, press or rub the display surface with hard material like tools. In addition, please do not put heavy or hard material on display surface, and do not stack LCD modules. Polarizer at front surface can be easily scratched.
- (10) Plugging in of connector
Please be careful not to apply strong stress to connector part of LCD module at plugging in or out, because strong stress may damage the inside connection. At plugging in connector, place LCD module on the flat surface and hold the backside of connector on LCD module. Please make sure that connector is plugged in correctly. Insecure connection may be the cause for failure during operation.
In addition, please be careful not to put the connecting cable between cabinet of system and LCD module at installing LCD module into system.
- (11) Handling of Lamp cable and FPC (Flexible Printed Circuit)
Please be careful not to pull or scratch Lamp cable, because Lamp or soldered part of cable may be damaged consequently.
Also FPC should not be pulled or scratched.
- (12) Switching off before plugging in connector
Please make sure that power is switched off before plugging in connector.
If power is on at plugging in or out, circuit of LCD module may be damaged.
When LCD is switched on for test or inspection, please make sure that power supply and input signals of driving system meet the specified power sequence.
- (13) Temperature dependence of LCD display
Response speed (optical response) of LCD display is dependent on temperature. Under low temperature, response speed is slower.
Also brightness and chromaticity change slightly depending on temperature.
- (14) Slow light-up of Lamp under low temperature
Under low temperature, start-up of Lamp gets difficult. (The time from switch-on to stable lighting becomes longer.)
As characteristic of Lamp, operation under low temperature makes the life time shorter. To avoid this, it is recommended to operate under normal temperature.
- (15) Condensation
LCD module may get condensation on its display surface and inside in the circumstance where temperature changes much in short time.
Condensation can cause deterioration or failure. Therefore, please be careful not to get condensation.
- (16) Remaining of image
Displaying the same pattern for long time may cause remaining of image even after changing the pattern. This is not failure.

4. Instructions for storage and transportation

- (1) Storage
Please store LCD module in the dark place of room temperature and low humidity in original packing condition, to avoid condensation that may cause failure. Since sudden temperature change may cause condensation, please store in circumstance of stable temperature.
- (2) Stacking number
Since excessive weight causes deformation and damage of carton box, please stack only up to the number stated on carton box for storage and transportation.
- (3) Handling
Since LCD module consists of glass and precise electronic components, it will be damaged by excessive shock and drop. Therefore, please handle the carton box carefully to minimize shock at loading, reloading and transportation.

Outer Dimensions
(FRONT SIDE)

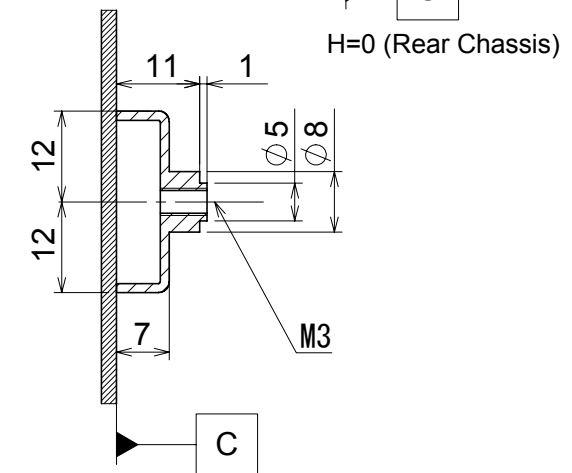
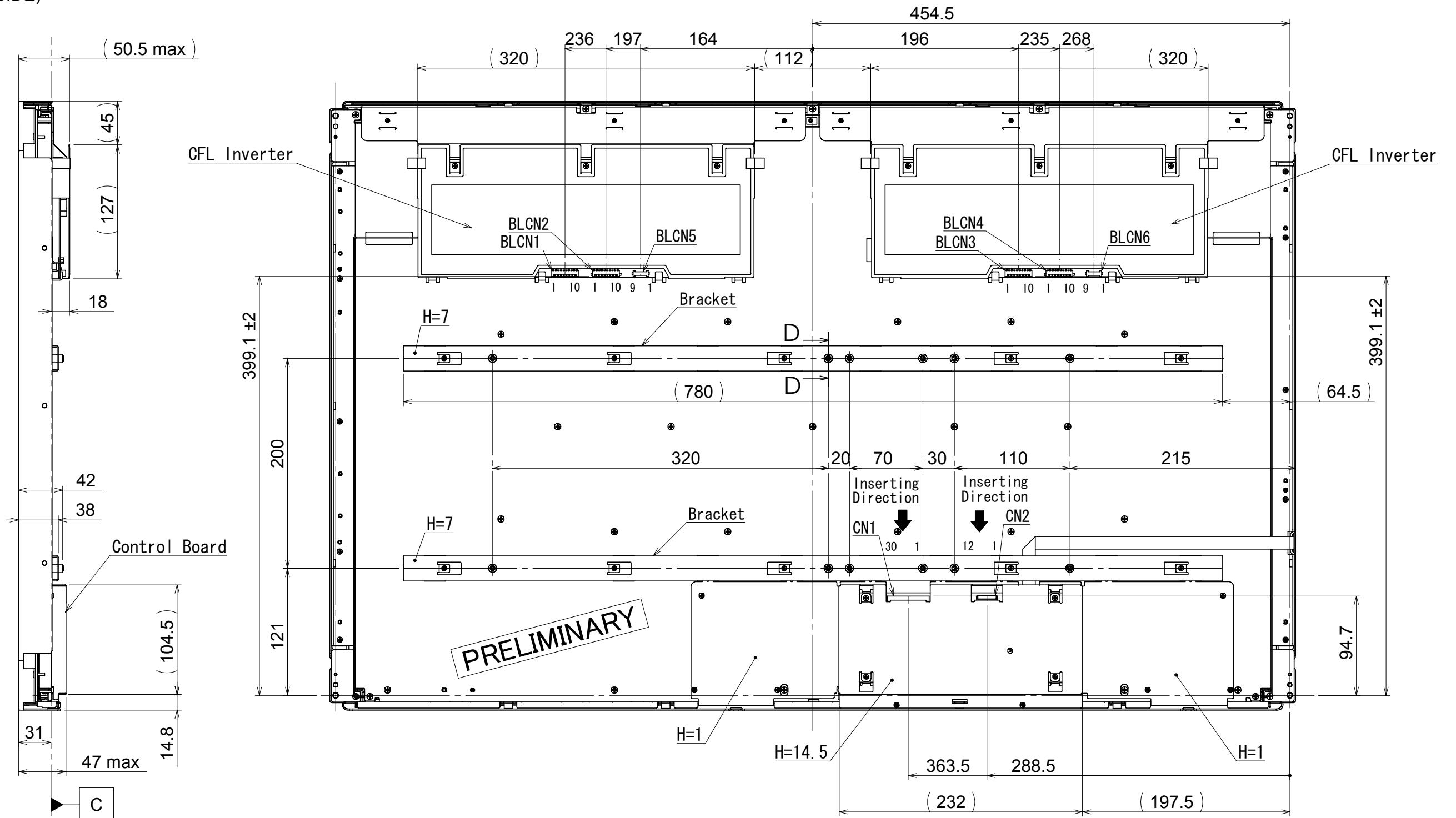


Note 1: Unspecified dimension tolerances are ±1.

Unit:mm

Outer Dimensions

(BACK SIDE)



- CN1:DF14A-30P-1.25H(HRS)
- CN2:53261-1290(MOLEX)
- BLCN1,2,3,4 :DF3-10P-2H(HRS)
- BLCN5,6 :IL-Z-9PL-SMTY(JAE)

Note 2:"H" shows the height from "C" (Rear Chassis's surface).
 Note 1:Unspecified dimension tolerances are ±1.

D-D (12Points)