

LJ103LC2K01

EL Display Module

Features

- 26 cm [10.3"] display size
- RGY Multicolor (Red, Green, Yellow-orange) message EL (Topr: -20°C to +65°C, Tstg: -40°C to +85°C)
- "Message EL" suitable for public information display
- Wide temperature range

Specifications

Parameter		Unit
Display size	26 [10.3]	cm ["]
Dot format (H x V)	224 x 2 x 128	dot
Dot pitch (H x V)	0.56 x 0.56	mm
Active area (H x V)	250.7 x 71.6	mm
Luminance	72* ¹	cd/m ²
Supply voltage	+5, +12	V
Power consumption	11	W

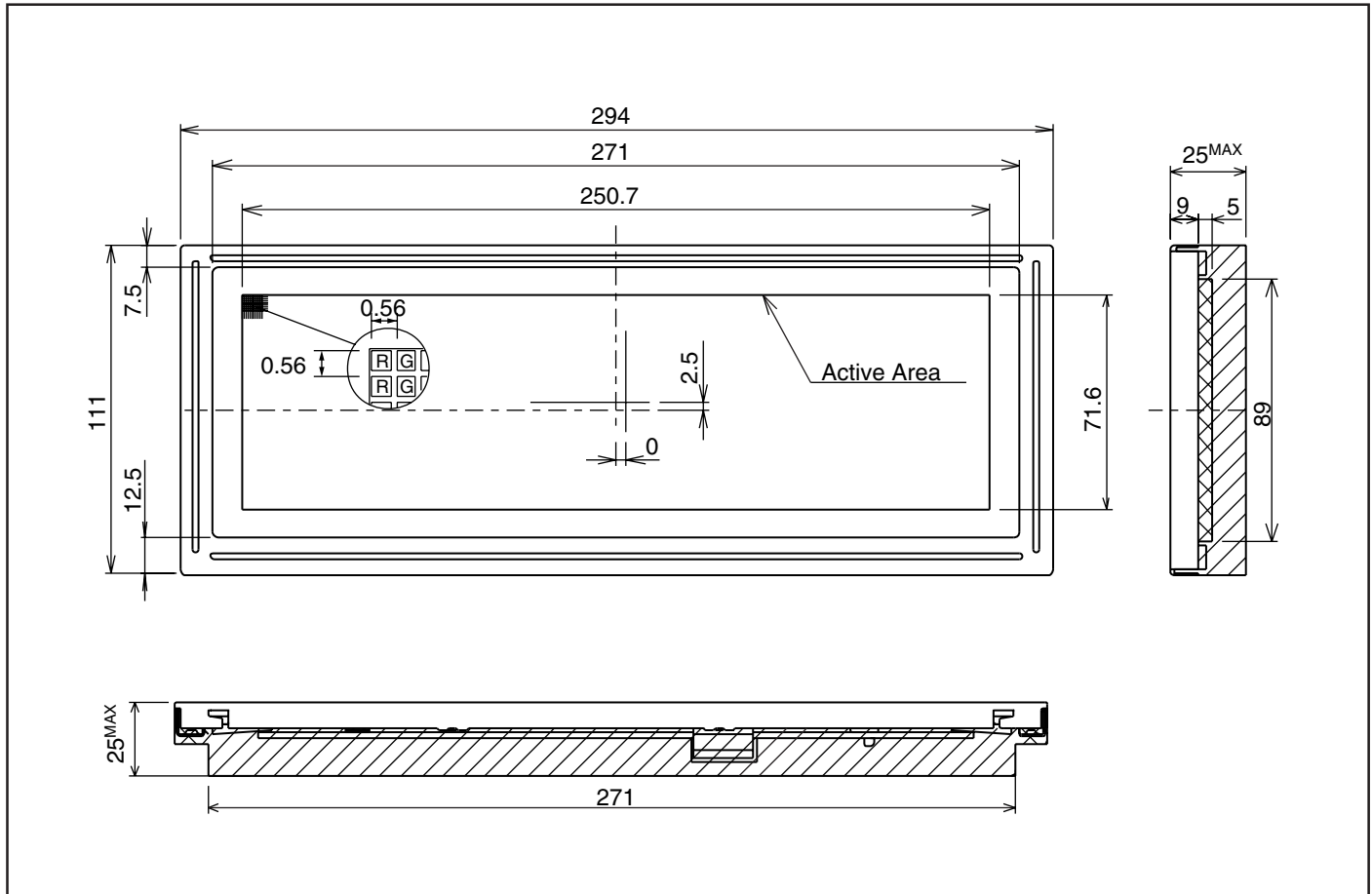
Parameter		Unit
Overall dimensions (W x H x D)	294.0 x 111.0 x 25.0	mm
Weight	600	g
Baseplate structure	-	-
Detachable DC/DC converter	-	-
Operating temperature	-20 to +65	°C
Storage temperature	-40 to +85	°C
Survival temperature	-25 to +85* ²	°C

*1...When the frame frequency is 240 Hz.

*2...for 10 minutes

Outline Dimensions

unit : mm



In the absence of confirmation by device specification sheets, SHARP takes no responsibility for any defects that may occur in using any SHARP devices shown in catalogs, data books, etc. Contact SHARP in order to obtain the latest device specification sheets before using any SHARP device. Specifications are subject to change without notice for improvement.