

LJ44HM01

EL Display Module

Features

- 26 cm [10.3"] display size
- High luminance (220 cd/m²)
- "Message EL" suitable for public information display
- Wide temperature range
(Topr: -20°C to +65°C, Tstg: -40°C to +85°C)

Specifications

Parameter		Unit
Display size	26 [10.3]	cm ["]
Dot format (H x V)	448 x 128	dot
Dot pitch (H x V)	0.56 x 0.56	mm
Active area (H x V)	250.7 x 71.6	mm
Luminance	220* ¹	cd/m ²
Supply voltage	+5, +12	V
Power consumption	11	W

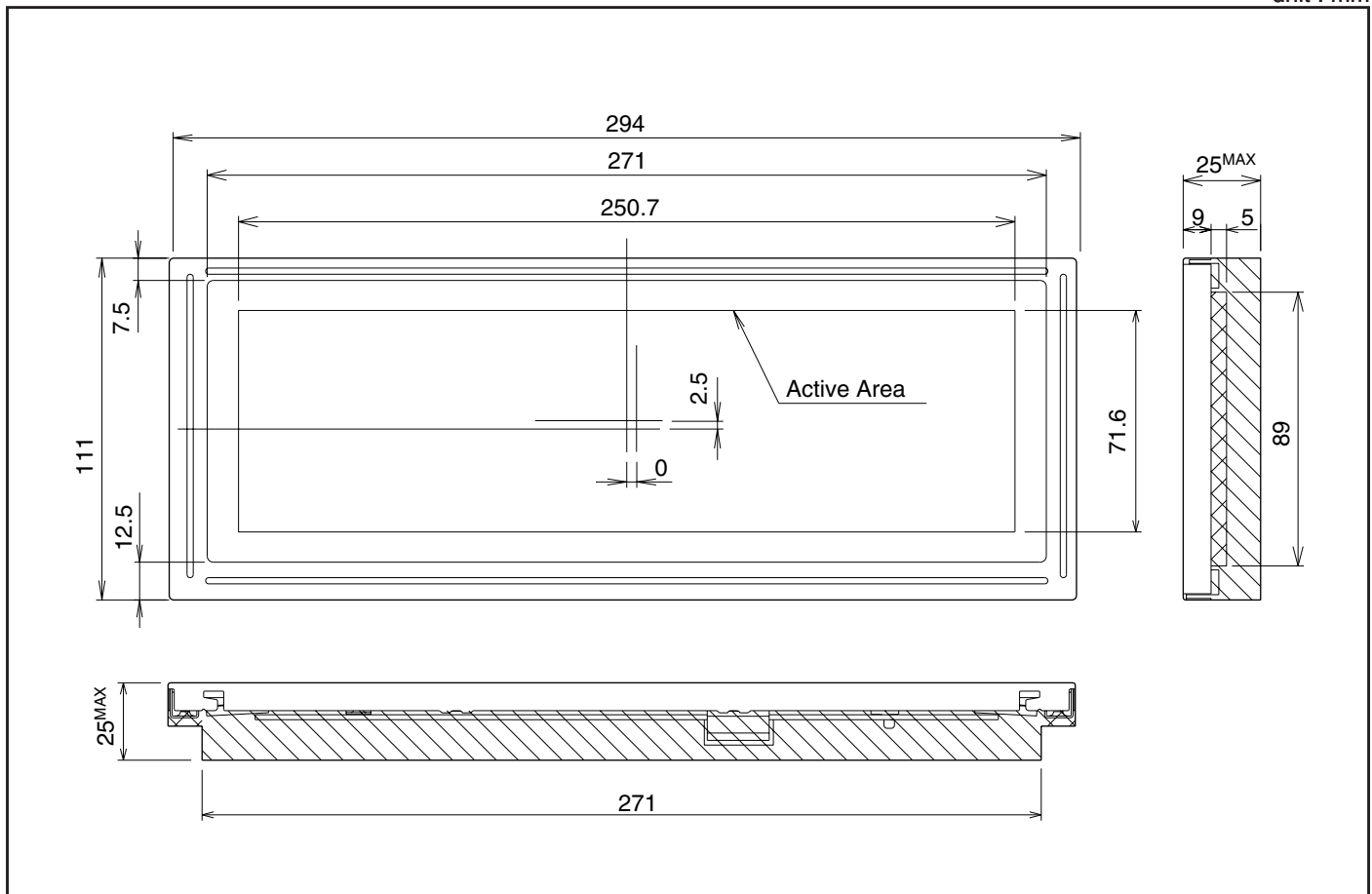
*1...When the frame frequency is 240 Hz.

*2...for 10 minutes

Parameter		Unit
Overall dimensions (W x H x D)	294.0 x 111.0 x 25.0	mm
Weight	600	g
Baseplate structure	-	-
Detachable DC/DC converter	-	-
Operating temperature	-20 to +65	°C
Storage temperature	-40 to +85	°C
Survival temperature	-25 to +85* ²	°C

Outline Dimensions

unit : mm



In the absence of confirmation by device specification sheets, SHARP takes no responsibility for any defects that may occur in using any SHARP devices shown in catalogs, data books, etc. Contact SHARP in order to obtain the latest device specification sheets before using any SHARP device. Specifications are subject to change without notice for improvement.